

# DM3730, DM3725

## Digital Media Processors

Check for Samples: [DM3730](#), [DM3725](#)

## 1 DM3730, DM3725 Digital Media Processors

### 1.1 Features

- **DM3730/25 Digital Media Processors:**
  - **Compatible with OMAP™ 3 Architecture**
  - **ARM® Microprocessor (MPU) Subsystem**
    - **Up to 1-GHz ARM® Cortex™-A8 Core**  
Also supports 300, 600, and 800-MHz operation
    - **NEON™ SIMD Coprocessor**
  - **High Performance Image, Video, Audio (IVA2.2™) Accelerator Subsystem**
    - **Up to 800-MHz TMS320C64x+™ DSP Core**  
Also supports 260, 520, and 660-MHz operation
    - **Enhanced Direct Memory Access (EDMA) Controller (128 Independent Channels)**
    - **Video Hardware Accelerators**
  - **POWERVR SGX™ Graphics Accelerator (DM3730 only)**
    - **Tile Based Architecture Delivering up to 20 MPoly/sec**
    - **Universal Scalable Shader Engine: Multi-threaded Engine Incorporating Pixel and Vertex Shader Functionality**
    - **Industry Standard API Support: OpenGL ES 1.1 and 2.0, OpenVG1.0**
    - **Fine Grained Task Switching, Load Balancing, and Power Management**
    - **Programmable High Quality Image Anti-Aliasing**
  - **Advanced Very-Long-Instruction-Word (VLIW) TMS320C64x+™ DSP Core**
    - **Eight Highly Independent Functional Units**
    - **Six ALUs (32-/40-Bit); Each Supports Single 32-bit, Dual 16-bit, or Quad 8-bit, Arithmetic per Clock Cycle**
    - **Two Multipliers Support Four 16 x 16-Bit Multiplies (32-Bit Results) per Clock Cycle or Eight 8 x 8-Bit Multiplies (16-Bit Results) per Clock Cycle**
- **Load-Store Architecture With Non-Aligned Support**
- **64 32-Bit General-Purpose Registers**
- **Instruction Packing Reduces Code Size**
- **All Instructions Conditional**
- **Additional C64x+™ Enhancements**
  - **Protected Mode Operation**
  - **Expectations Support for Error Detection and Program Redirection**
  - **Hardware Support for Modulo Loop Operation**
- **C64x+™ L1/L2 Memory Architecture**
  - **32K-Byte L1P Program RAM/Cache (Direct Mapped)**
  - **80K-Byte L1D Data RAM/Cache (2-Way Set-Associative)**
  - **64K-Byte L2 Unified Mapped RAM/Cache (4-Way Set-Associative)**
  - **32K-Byte L2 Shared SRAM and 16K-Byte L2 ROM**
- **C64x+™ Instruction Set Features**
  - **Byte-Addressable (8-/16-/32-/64-Bit Data)**
  - **8-Bit Overflow Protection**
  - **Bit-Field Extract, Set, Clear**
  - **Normalization, Saturation, Bit-Counting**
  - **Compact 16-Bit Instructions**
  - **Additional Instructions to Support Complex Multiplies**
- **External Memory Interfaces:**
  - **SDRAM Controller (SDRC)**
    - **16, 32-bit Memory Controller With 1G-Byte Total Address Space**
    - **Interfaces to Low-Power SDRAM**
    - **SDRAM Memory Scheduler (SMS) and Rotation Engine**
  - **General Purpose Memory Controller (GPMC)**
    - **16-bit Wide Multiplexed Address/Data**



Please be aware that an important notice concerning availability, standard warranty, and use in critical applications of Texas Instruments semiconductor products and disclaimers thereto appears at the end of this data sheet.

POWERVR SGX is a trademark of Imagination Technologies Ltd.

OMAP is a trademark of Texas Instruments.

Cortex, NEON are trademarks of ARM Limited.

ARM is a registered trademark of ARM Ltd.

All other trademarks are the property of their respective owners.

PRODUCTION DATA information is current as of publication date. Products conform to specifications per the terms of the Texas Instruments standard warranty. Production processing does not necessarily include testing of all parameters.

Copyright © 2010–2011, Texas Instruments Incorporated

- Bus**
  - Up to 8 Chip Select Pins With 128M-Byte Address Space per Chip Select Pin
  - Glueless Interface to NOR Flash, NAND Flash (With ECC Hamming Code Calculation), SRAM and Pseudo-SRAM
  - Flexible Asynchronous Protocol Control for Interface to Custom Logic (FPGA, CPLD, ASICs, etc.)
  - Nonmultiplexed Address/Data Mode (Limited 2K-Byte Address Space)
- 1.8-V I/O and 3.0-V (MMC1 only), 0.9-V to 1.2-V Adaptive Processor Core Voltage  
0.9-V to 1.1-V Adaptive Core Logic Voltage  
Note: These are default Operating Performance Point (OPP) voltages and could be optimized to lower values using SmartReflex AVS.
- Commercial, Industrial, and Extended Temperature Grades
- Serial Communication
  - 5 Multichannel Buffered Serial Ports (McBSPs)
    - 512 Byte Transmit/Receive Buffer (McBSP1/3/4/5)
    - 5K-Byte Transmit/Receive Buffer (McBSP2)
    - SIDETONE Core Support (McBSP2 and 3 Only) For Filter, Gain, and Mix Operations
    - Direct Interface to I2S and PCM Device and T Buses
    - 128 Channel Transmit/Receive Mode
  - Four Master/Slave Multichannel Serial Port Interface (McSPI) Ports
  - High-Speed/Full-Speed/Low-Speed USB OTG Subsystem (12-/8-Pin ULPI Interface)
  - High-Speed/Full-Speed/Low-Speed Multiport USB Host Subsystem
    - 12-/8-Pin ULPI Interface or 6-/4-/3-Pin Serial Interface
  - One HDQ/1-Wire Interface
  - Four UARTs (One with Infrared Data Association [IrDA] and Consumer Infrared [CIR] Modes)
  - Three Master/Slave High-Speed Inter-Integrated Circuit (I2C) Controllers
- Camera Image Signal Processing (ISP)
  - CCD and CMOS Imager Interface
  - Memory Data Input
  - BT.601/BT.656 Digital YCbCr 4:2:2 (8-/10-Bit) Interface
- Glueless Interface to Common Video Decoders
- Resize Engine
  - Resize Images From 1/4x to 4x
  - Separate Horizontal/Vertical Control
- System Direct Memory Access (SDMA) Controller (32 Logical Channels With Configurable Priority)
- Comprehensive Power, Reset, and Clock Management
  - SmartReflex™ Technology
  - Dynamic Voltage and Frequency Scaling (DVFS)
- ARM® Cortex™-A8 Core
  - ARMv7 Architecture
    - TrustZone®
    - Thumb®-2
    - MMU Enhancements
  - In-Order, Dual-Issue, Superscalar Microprocessor Core
  - NEON Multimedia Architecture
  - Over 2x Performance of ARMv6 SIMD
  - Supports Both Integer and Floating Point SIMD
  - Jazelle® RCT Execution Environment Architecture
  - Dynamic Branch Prediction with Branch Target Address Cache, Global History Buffer, and 8-Entry Return Stack
  - Embedded Trace Macrocell (ETM) Support for Non-Invasive Debug
- ARM Cortex-A8 Memory Architecture:
  - 32K-Byte Instruction Cache (4-Way Set-Associative)
  - 32K-Byte Data Cache (4-Way Set-Associative)
  - 256K-Byte L2 Cache
- 32K-Byte ROM
- 64K-Byte Shared SRAM
- Endianness:
  - ARM Instructions - Little Endian
  - ARM Data – Configurable
  - DSP Instructions/Data - Little Endian
- Removable Media Interfaces:
  - Three Multimedia Card (MMC)/ Secure Digital (SD) With Secure Data I/O (SDIO)
- Test Interfaces
  - IEEE-1149.1 (JTAG) Boundary-Scan Compatible
  - Embedded Trace Macro Interface (ETM)
  - Serial Data Transport Interface (SDTI)
- 12 32-bit General Purpose Timers
- 2 32-bit Watchdog Timers

- 1 32-bit Secure Watchdog Timer
- 1 32-bit 32-kHz Sync Timer
- Up to 188 General-Purpose I/O (GPIO) Pins (Multiplexed With Other Device Functions)
- 45-nm CMOS Technology
- Package-On-Package (POP) Implementation for Memory Stacking (Not Available in CUS Package)
- Packages:
  - 515-pin s-PBGA package (CBP Suffix), .5mm Ball Pitch (Top), .4mm Ball Pitch (Bottom)
  - 515-pin s-PBGA package (CBC Suffix), .65mm Ball Pitch (Top), .5mm Ball Pitch (Bottom)
  - 423-pin s-PBGA package (CUS Suffix), .65mm Ball Pitch

## 1.2 Description

The DM37x generation of high-performance, digital media processors are based on the enhanced device architecture and are integrated on TI's advanced 45-nm process technology. This architecture is designed to provide best in class ARM and Graphics performance while delivering low power consumption. This balance of performance and power allow the device to support the following example applications:

- Portable Data Terminals
- Navigation
- Auto Infotainment
- Gaming
- Medical Imaging
- Home Automation
- Human Interface
- Industrial Control
- Test and Measurement
- Single board Computers

The device can support numerous HLOS and RTOS solutions including Linux and Windows Embedded CE which are available directly from TI. Additionally, the device is fully backward compatible with previous Cortex™-A8 processors and OMAP™ processors.

This DM3730/25 Digital Media Processor data manual presents the electrical and mechanical specifications for the DM3730/25 Digital Media Processor. The information contained in this data manual applies to the commercial, industrial, and extended temperature versions of the DM3730/25 Digital Media Processor unless otherwise indicated. It consists of the following sections:

- A description of the DM3730/25 terminals: assignment, electrical characteristics, multiplexing, and functional description
- A presentation of the electrical characteristics requirements: power domains, operating conditions, power consumption, and dc characteristics
- The clock specifications: input and output clocks, DPLL and DLL
- A description of thermal characteristics, device nomenclature, and mechanical data about the available packaging

### 1.3 Functional Block Diagram

The functional block diagram of the DM3730/25 Digital Media Processor is shown below.

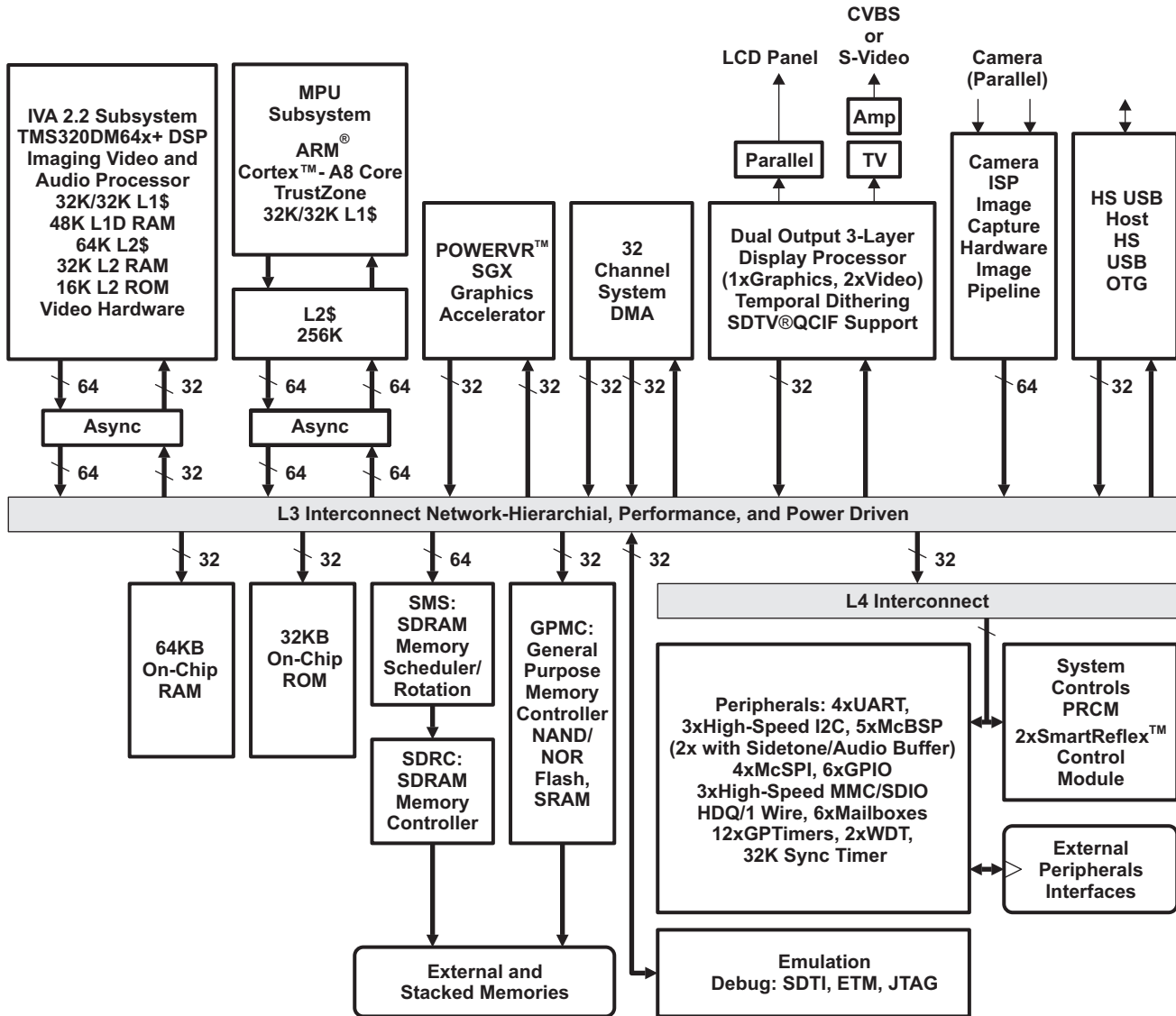


Figure 1-1. DM3730/25 Functional Block Diagram

### Revision History

NOTE: Page numbers for previous revisions may differ from page numbers in the current version.

This data sheet revision history highlights the technical changes made from the previous to the current revision.

#### Revision History

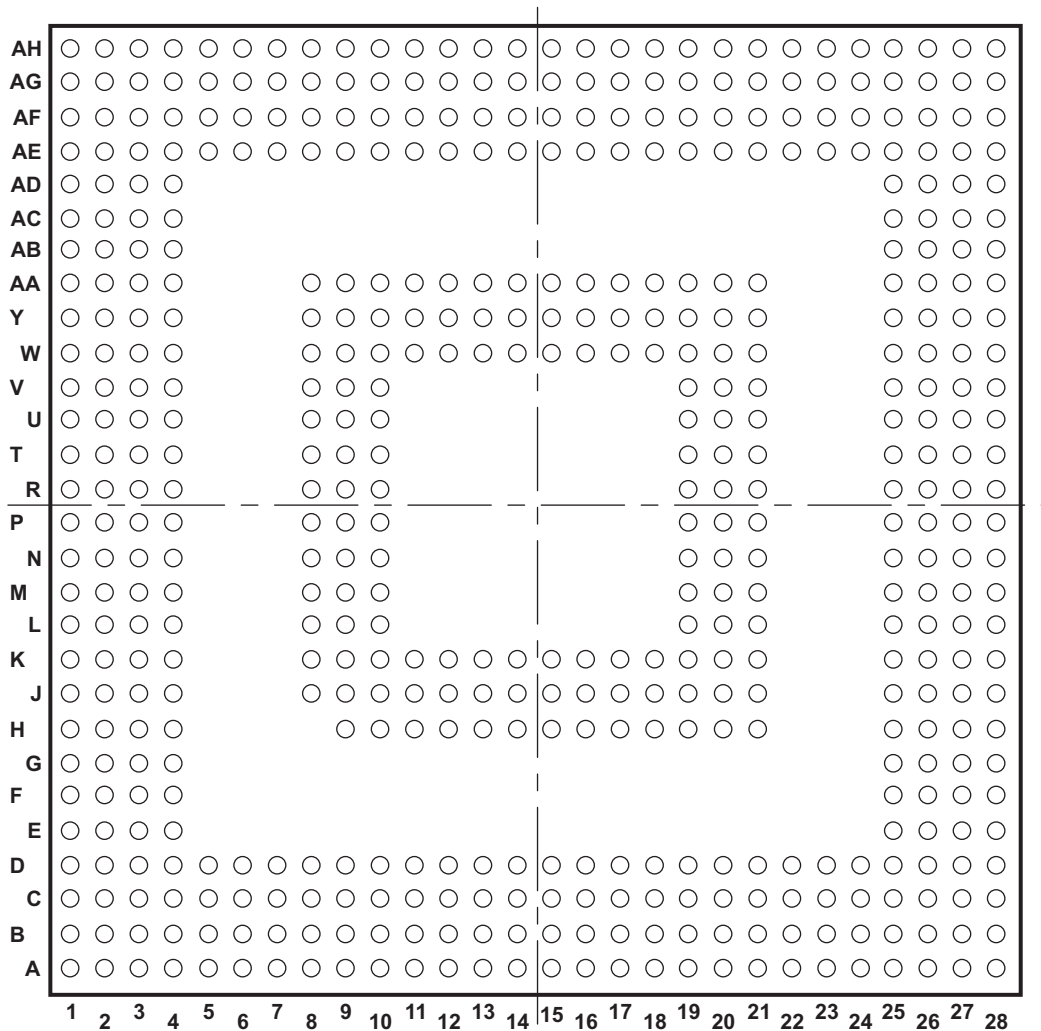
SECTION	ADDITIONS/CHANGES/DELETIONS
Terminal Description	Changed: <ul style="list-style-type: none"> <li>Table 2-1. Ball Characteristics (CBP Pkg.). Removed restriction note from GPIO_16.</li> <li>Table 2-2. Ball Characteristics (CBC Pkg.). Removed restriction note from GPIO_16.</li> <li>Table 2-3. Ball Characteristics (CUS Pkg.). Removed restriction note from GPIO_16.</li> </ul>
Electrical Characteristics	Changed: <ul style="list-style-type: none"> <li>Table 3-1. Absolute Maximum Rating over Junction Temperature Range. Added JTAG to VESD.</li> <li>Table 3-5. DC Electrical Characteristics. Removed USIM ball R27.</li> </ul>
Clock Specifications	Added note on rise and fall times for these tables: <ul style="list-style-type: none"> <li>Input Clock Requirements</li> <li>sys_xtalin Squarer Input Clock Timing Requirements - Bypass Mode</li> <li>sys_32k Input Clock Timing Requirements</li> <li>sys_altclk Input Clock Timing Requirements</li> <li>sys_clkout1 Output Clock Switching Characteristics</li> <li>sys_clkout2 Output Clock Switching Characteristics</li> </ul> Added: <ul style="list-style-type: none"> <li>Table 4-2, Crystal Electrical Characteristics. Added entry for DL - Crystal drive level</li> </ul>

## 2 TERMINAL DESCRIPTION

### 2.1 Terminal Assignment

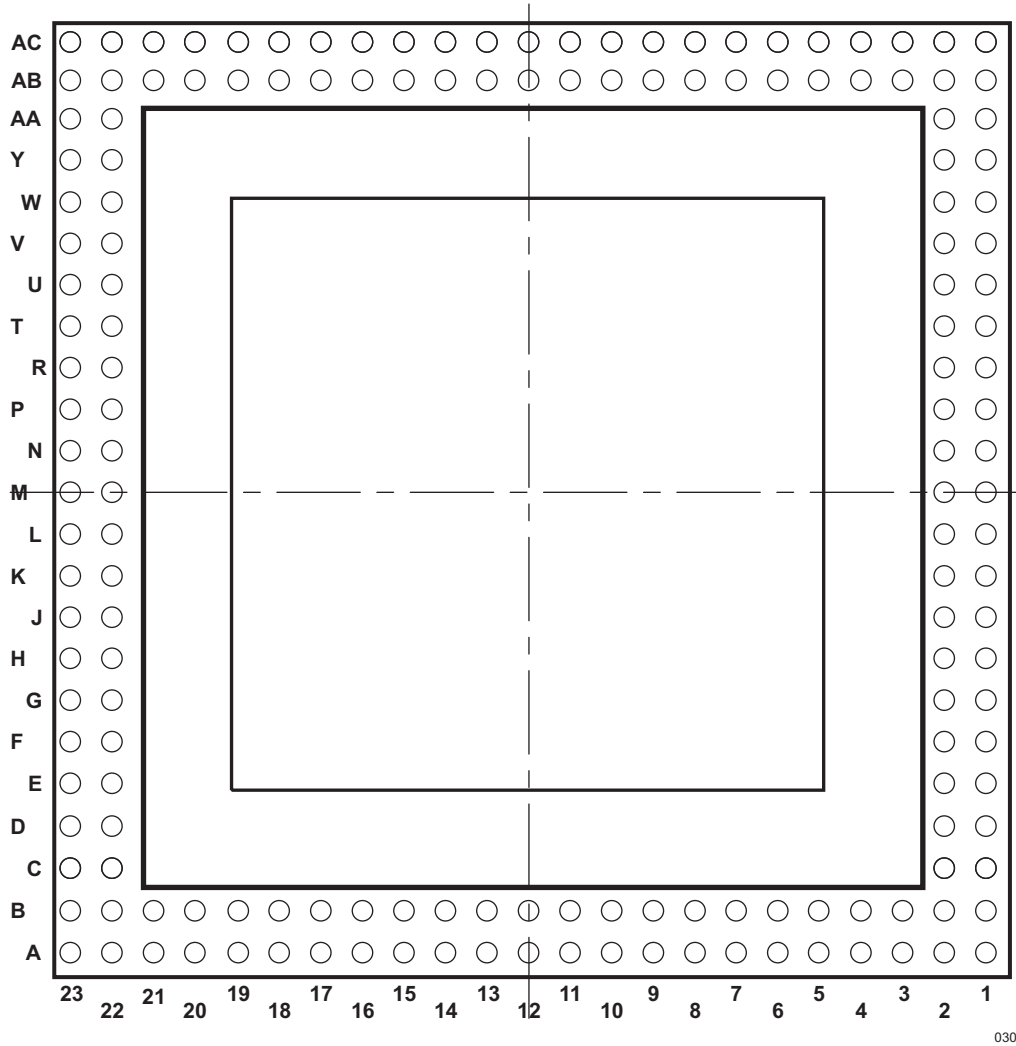
Figure 2-1 through Figure 2-5 show the ball locations for the 515- and 423- ball plastic ball grid array (s-PBGA) packages. Table 2-1 through Table 2-25 indicate the signal names and ball grid numbers for both packages.

**Note:** There are no balls present on the top of the 423-ball s-PBGA package.



030-001

Figure 2-1. DM3730/25 Digital Media Processor CBP s-PBGA-N515 Package (Bottom View)



030-002

Figure 2-2. DM3730/25 Digital Media Processor CBP s-PBGA-N515 Package (Top View)



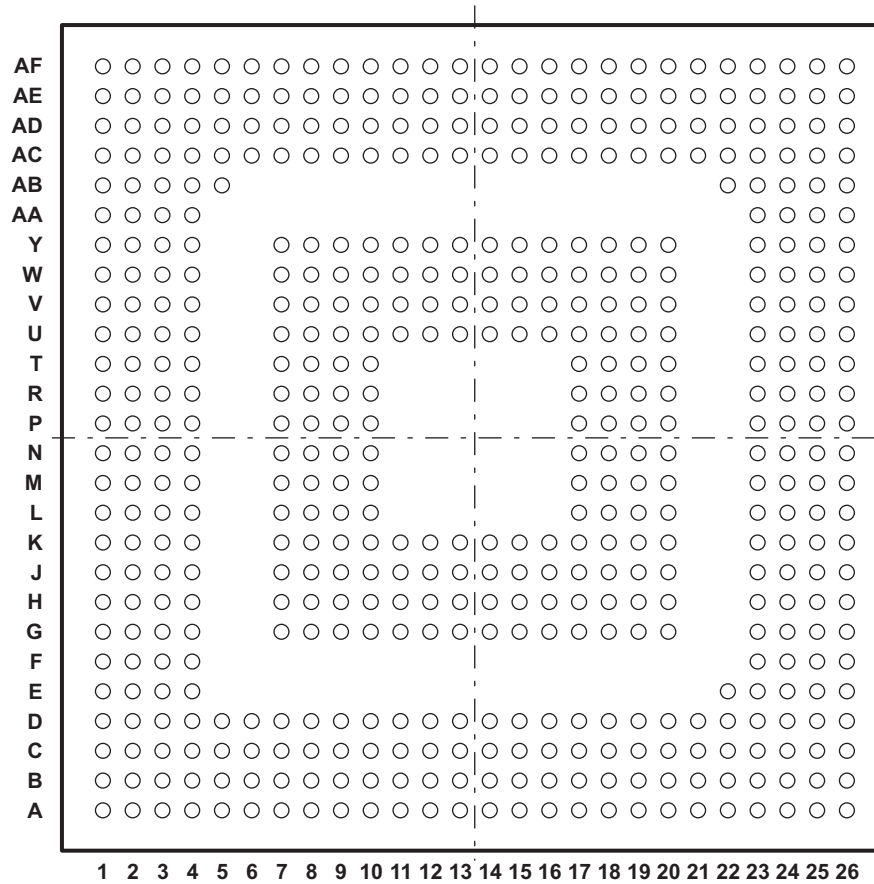


Figure 2-3. DM3730/25 Digital Media Processor CBC s-PBGA-515 Package (Bottom View)

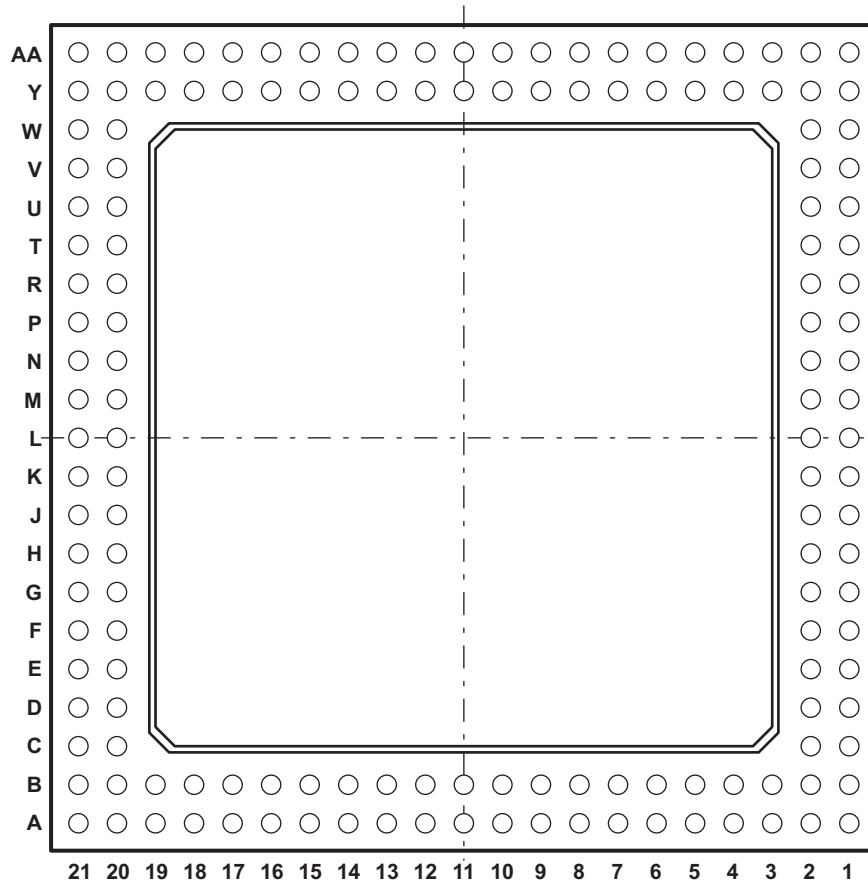


Figure 2-4. DM3730/25 Digital Media Processor CBC s-PBGA-515 Package (Top View)

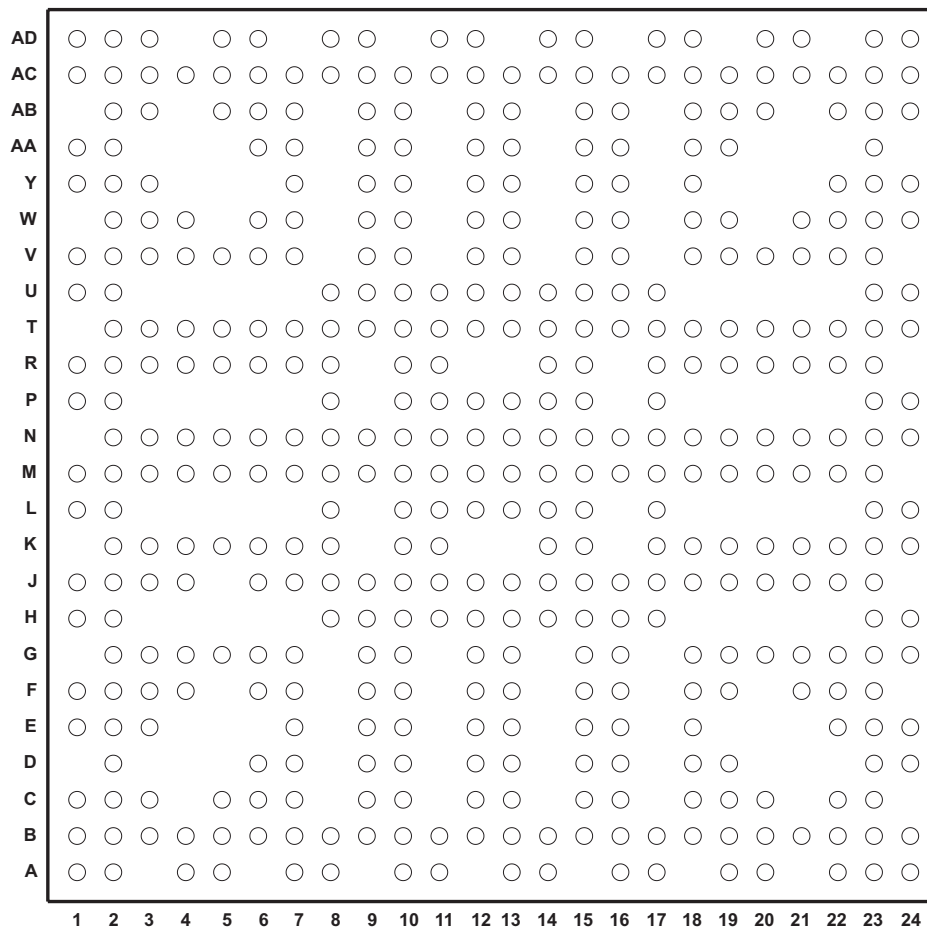


Figure 2-5. DM3730/25 Digital Media Processor CUS s-PBGA-N423 Package (Bottom View)

## 2.2 Pin Assignments

### 2.2.1 Pin Map (Top View)

The following pin maps show the top views of the 515-pin sPBGA package [CBP], the 515-pin sPBGA package [CBC], and the 423-pin sPBGA package [CUS] pin assignments in four quadrants (A, B, C, and D).

**Note:** A pin with an "NC" designator indicates No Connection. For proper device operation, these pins must be left unconnected.

	1	2	3	4	5	6	7	8	9	10	11	12	13	14									
A	NC	NC	vss	NC	vdds_mem	NC	NC	vdds_mem	NC	NC	NC	vdds_mem	NC	NC									
B	NC	vss	NC	NC	vdds_mem	NC	NC	vdds_mem	NC	NC	NC	vdds_mem	NC	NC									
C	NC	NC	NC	NC	NC	NC	vss	NC	NC	vss	NC	NC	vss	NC									
D	NC	NC	NC	NC	NC	NC	vss	vdd_core	vdd_core	vss	NC	NC	vss	NC									
E	NC	NC	vss	vss																			
F	vdds_mem	vdds_mem	gpmc_nadv_ale	gpmc_nwe																			
G	NC	gpmc_noe	gpmc_nbe0_cle	gpmc_ncs0																			
H	gpmc_nwp	gpmc_d8	gpmc_ncs1	vdd_core											NC	NC	NC	NC	NC	NC	NC		
J	vdds_mem	vdds_mem	vss	vdd_core											gpmc_wait3	vdd_mpu_iva	vdd_mpu_iva	vdd_mpu_iva	vss	vss	vdd_mpu_iva		
K	gpmc_d0	gpmc_d9	gpmc_a10	gpmc_a4											gpmc_wait2	vss	vss	vdd_mpu_iva	vss	vdd_mpu_iva	vdd_mpu_iva		
L	gpmc_d1	gpmc_d2	gpmc_a9	gpmc_a3											gpmc_wait1	vdd_mpu_iva	vdd_mpu_iva						
M	pop_y23_m1	pop_k2_m2	gpmc_a8	gpmc_a2											gpmc_wait0	vdd_mpu_iva	vdd_mpu_iva						
N	pop_u1_n1	pop_l2_n2	gpmc_a7	gpmc_a1											gpmc_ncs7	vss	vdd_mpu_iva						
P	gpmc_d10	gpmc_d3	vss	vss											gpmc_ncs6	vss	vss						

A. Top Views are provided to assist in hardware debugging efforts.

**Figure 2-6. CBP Pin Map [Quadrant A - Top View]**

	15	16	17	18	19	20	21	22	23	24	25	26	27	28					
	pop_a12_a15	NC	NC	vdds_mem	NC	NC	NC	vdds_mem	cam_vs	cam_hs	cam_d5	vss	pop_a22_a27	pop_a23_a28	A				
	pop_b12_b15	NC	NC	vdds_mem	NC	NC	NC	vdds_mem	cam_wen	cam_d2	cam_d10	cam_xclkb	vss	pop_b23_b28	B				
	NC	vdds_mem	NC	NC	vss	NC	NC	vss	cam fld	cam_d3	cam_xclka	cam_d11	cam_pclk	vdds_mem	C				
	vdd_core	vdds_mem	NC	NC	vss	NC	vss	vdd_core	vdd_core	cam_d4	cam_strobe	dss_hsync	dss_vsync	dss_pclk	D				
											vdd_core	dss_data6	dss_acbias	dss_data20	E				
											vdds	vdds	dss_data8	dss_data7	F				
											dss_data16	dss_data9	vss	vdds_mem	G				
	NC	NC	NC	uart3_cts_rctx	uart3_rts_sd	uart3_rx_irrx	uart3_tx_irtx								dss_data19	dss_data18	dss_data17	vdds	H
	vdd_mpu_iva	vss	vss	vdd_core	vdd_core	vdd_core	i2c1_sda								hdq_sio	dss_data21	pop_h22_j27	pop_k1_j28	J
	vdda_dpilis_dil	vss	vss	vdd_core	vss	vdd_core	i2c1_scl								vdds_mmc1	mcbbsp1_fsx	cam_d8	cam_d6	K
					vss	vss	cap_vdd_sram_core								vdd_core	vss	cam_d9	cam_d7	L
					vdd_core	vss	mcbbsp2_dx								vdd_core	pop_k22_m26	mmc1_cmd	vss	M
					vdd_core	vdd_core	mcbbsp2_clkx								mmc1_dat2	mmc1_dat1	mmc1_dat0	mmc1_clk	N
					vss	vdd_core	mcbbsp2_fsx								vdds_x	gpio_127	gpio_126	mmc1_dat3	P

Figure 2-7. CBP Pin Map [Quadrant B - Top View]



R	gpmc_d11	gpmc_d12	gpmc_a6	vdds_mem										
T	gpmc_d4	gpmc_d13	gpmc_a5	gpmc_clk										
U	vdds_mem	vss	gpmc_nbe1	cap_vdd_bb_mpu_iva										
V	gpmc_d5	gpmc_d6	mcspi2_cs1	cap_vdd_sram_mpu_iva										
W	gpmc_d14	gpmc_d7	vss	vdds										
Y	gpmc_d15	mcspi2_simo	mcspi2_somi	mcspi2_cs0										
AA	pop_aa1_aa1	pop_aa2_aa2	mcspi2_clk	mcspi1_somi										
AB	mcspi1_cs2	mcspi1_cs3	mcspi1_clk	mcspi1_simo										
AC	mcbsp4_fsx	mcspi1_cs0	mcspi1_cs1	vdd_core										
AD	mcbsp4_dr	mcbsp4_dx	vdds	vdds										
AE	mcbsp4_clkx	mmc2_clk	mmc2_dat7	mmc2_dat4	mcbsp3_fsx	mcbsp3_dr	etk_d10	vdds	vdd_core	etk_ctl	etk_d4	vss	etk_d3	sys_boot2
AF	pop_ac8_af1	pop_u2_af2	mmc2_dat6	mmc2_dat3	mcbsp3_clkx	mcbsp3_dx	etk_d11	vdds	etk_d8	etk_clk	etk_d0	vss	etk_d6	i2c3_scl
AG	pop_ab1_ag1	vss	vss	mmc2_dat2	mmc2_cmd	vss	etk_d12	etk_d14	etk_d9	pop_ab8_ag10	pop_ab9_ag11	etk_d1	pop_ab11_ag13	i2c3_sda
AH	pop_ac1_ah1	pop_ac2_ah2	mmc2_dat5	mmc2_dat1	mmc2_dat0	vdds_mem	etk_d13	etk_d15	etk_d5	pop_ac13_ah10	pop_ac9_ah11	etk_d2	pop_ac11_ah13	etk_d7
	1	2	3	4	5	6	7	8	9	10	11	12	13	14

Figure 2-8. CBP Pin Map [Quadrant C - Top View]

					vss	vss	mcbbsp2_dr			gpio_129	vss	gpio_128	hsusb0_dir	R
					vdd_core	vss	mcbbsp_clks			hsusb0_stp	hsusb0_nxt	hsusb0_data0	hsusb0_clk	T
					vdd_core	vdd_core	mcbbsp1_dr			hsusb0_data4	hsusb0_data3	hsusb0_data2	hsusb0_data1	U
					vss	vdd_core	mcbbsp1_dx			vdda_dac	hsusb0_data7	hsusb0_data6	hsusb0_data5	V
vdd_mpu_iva	vdds_sram	vss	vdd_core	vss	vdd_core	mcbbsp1_clkx				vss	cvideo1_rset	cvideo2_vfb	cvideo2_out	W
vdd_mpu_iva	vdd_core	sys_xtalgn	vdd_core	vdd_core	vdd_core	mcbbsp1_clk				vss	vssa_dac	cvideo1_vfb	cvideo1_out	Y
cap_vddu_wkup_logic	vdda_dpll_per	jtag_nrst	jtag_tms_tmsc	jtag_tdo	jtag_tdi	mcbbsp1_fsr				uart2_tx	NC	dss_data15	dss_data14	AA
										uart2_rts	uart2_cts	dss_data13	dss_data12	AB
										vss	vss	dss_data22	dss_data23	AC
										uart2_rx	i2c4_scl	dss_data11	dss_data10	AD
i2c2_sda	vdds	sys_xtalin	vdd_core	vdd_core	vss	sys_boot5	sys_clkout2	vdds	vdd_core	sys_32k	i2c4_sda	NC	pop_aa23_ae28	AE
i2c2_scl	vdds	sys_xtalout	sys_boot3	sys_boot4	vss	sys_boot6	sys_off_mode	vdds	sys_nreswarm	sys_clkreq	sys_nirq	pop_aa22_af27	pop_h23_af28	AF
pop_ab13_ag15	vss	cam_d0	gpio_114	gpio_112	vdds	vdds	dss_data0	dss_data2	dss_data4	sys_clkout1	sys_boot1	vdds	pop_ab23_ag28	AG
pop_l1_ah15	pop_ac14_ah16	cam_d1	gpio_115	gpio_113	cap_vddu_array	vss	dss_data1	dss_data3	dss_data5	sys_nrespwrn	sys_boot0	pop_ac22_ah27	pop_ac23_ah28	AH
15	16	17	18	19	20	21	22	23	24	25	26	27	28	

Figure 2-9. CBP Pin Map [Quadrant D - Top View]

	1	2	3	4	5	6	7	8	9	10	11	12	13							
A	pop_a1_a1	NC	gpmc_ncs2	gpmc_a11	NC	vss	NC	vss	NC	NC	NC	NC	vss							
B	NC	vss	gpmc_wait2	gpmc_ncs4	gpmc_ncs6	gpmc_ncs3	NC	NC	NC	NC	NC	NC	NC							
C	i2c2_SDA	i2c2_scl	sys_boot2	gpmc_ncs5	gpmc_ncs7	gpmc_wait3	NC	NC	NC	NC	vdds	vss	NC							
D	gpmc_a9	gpmc_a10	sys_boot1	sys_boot6	NC	cap_vdd_bb_mpu_iva	vss	NC	vdds	vss	NC	vss	vdd_mpu_iva							
E	gpmc_a7	gpmc_a8	sys_boot3	sys_boot4																
F	gpmc_a5	gpmc_a6	sys_boot0	NC																
G	vss	gpmc_a4	sys_boot5	vdds										NC	vss	vdd_mpu_iva	vss	vdd_core	vdd_mpu_iva	NC
H	gpmc_a2	gpmc_a3	uart1_rx	vss										vdd_mpu_iva	NC	NC	NC	NC	NC	NC
J	gpmc_nbe1	gpmc_a1	NC	NC	NC	NC	NC	NC	NC	NC	NC	NC								
K	vss	gpmc_nbe0_cle	mmc2_dat7	NC	NC	NC	NC	NC	vdd_mpu_iva	NC	vdda_dpils_dll									
L	pop_j1_l1	gpmc_d14	mmc2_dat6	uart1_tx	vdds	NC	vdd_mpu_iva	vss												
M	gpmc_nwe	gpmc_d15	mmc2_dat5	vdds	vdd_core	NC	vdd_mpu_iva	vdd_mpu_iva												
N	gpmc_clk	gpmc_noe	mcbps3_dr	vss	vdd_mpu_iva	vdd_mpu_iva	cap_vdd_sram_mpu_iva	vss												

A. Top Views are provided to assist in hardware debugging efforts.

**Figure 2-10. CBC Pin Map [Quadrant A - Top View]**



	14	15	16	17	18	19	20	21	22	23	24	25	26									
A	NC	NC	NC	NC	vdds	NC	pop_b16_a20	NC	NC	cam_wen	cam_d2	pop_a20_a25	pop_a21_a26									
B	NC	NC	NC	NC	NC	NC	NC	NC	NC	cam_fid	cam_d3	vss	pop_b21_b26									
C	NC	NC	NC	NC	NC	NC	NC	NC	NC	cam_hs	cam_d5	cam_xclka	cam_pclk									
D	vss	vdd_core	NC	NC	vss	NC	vss	NC	NC	cam_vs	cam_d4	cam_d10	cam_strobe									
E										vss	NC	vdds	cam_xclkb	cam_d11								
F																		uart3_cts_rctx	uart3_rts_sd	dss_data20	dss_acbias	
G										NC	NC	NC	NC	vdd_core	NC	vss		vss	uart3_tx_irtx	dss_pclk	dss_data6	
H										NC	NC	NC	NC	NC	NC	vdd_core		NC	uart3_rx_irrx	dss_data7	dss_data8	
J										NC	vdds	NC	NC	vdds	NC	NC		hdq_sio	i2c1_sda	i2c1_scl	dss_data9	
K										cap_vddu_wkup_logic	vss	NC	NC	mmc1_dat2	NC	cap_vdd_sram_core		NC	dss_hsync	vss	pop_h21_k26	
L													vss	mmc1_cmd	vss	vdds		vss	vdds	dss_data16	dss_data17	
M													vdd_core	mmc1_dat1	mmc1_dat0	gpio_126		NC	dss_data18	dss_vsync	dss_data19	
N				vss	NC	mmc1_clk	mmc1_dat3		vdds_mmc1	dss_data21	cam_d8	cam_d9										

Figure 2-11. CBC Pin Map [Quadrant B - Top View]

P	gpmc_d13	NC	mcbsp3_dx	NC					mcspi1_somi	mcspi1_simo	mcspi1_clk	vdd_mpu_iva					
R	vss	uart1_rts	mcbsp4_dx	vss					mcspi1_cs0	mcspi1_cs1	mcspi1_cs2	mmc2_cmd					
T	gpmc_d10	pop_n2_t2	mcbsp4_fsx	vdds					vdd_core	mcspi1_cs3	mmc2_dat1	mmc2_dat0					
U	gpmc_d12	gpmc_d11	mcbsp3_clkx	mcbsp4_dr					vdd_mpu_iva	mcspi2_somi	mmc2_dat3	mmc2_dat2	vdd_mpu_iva	vdds_sram	vdd_mpu_iva		
V	gpmc_d8	etk_d9	mcbsp4_clkx	NC					vdd_mpu_iva	mcspi2_cs0	mcspi2_cs1	mmc2_dat4	vdd_mpu_iva	sys_off_mode	sys_nresp_wron		
W	vss	uart1_cts	mcbsp3_fsx	vss					mcspi2_clk	mcspi2_simo	vdd_mpu_iva	mmc2_clk	sys_clkout2	NC	jtag_rtck		
Y	gpmc_d9	pop_t2_y2	etk_d4	vdds					vss	vdd_core	vdd_mpu_iva	vss	vdd_mpu_iva	vdd_core	jtag_tdo		
AA	gpmc_d1	gpmc_d0	etk_d3	etk_d8													
AB	etk_d5	etk_clk	etk_ctl	i2c3_scl	vss												
AC	gpmc_d3	gpmc_d2	etk_d0	i2c3_sda	gpmc_d7	gpmc_nwp	vdds	gpmc_wait1	NC	vss	gpmc_wait0	NC	NC				
AD	gpmc_ncs1	etk_d7	etk_d2	etk_d1	gpmc_d6	gpmc_d5	sys_nres_warm	gpmc_ncs0	NC	gpmc_nadv_ale	NC	NC	NC				
AE	NC	pop_w2_ae2	etk_d6	etk_d10	gpmc_d4	etk_d12	vss	NC	etk_d15	vdds	NC	NC	NC				
AF	NC	NC	NC	pop_y2_af4	pop_aa6_af5	etk_d11	etk_d13	pop_y7_af8	etk_d14	pop_y9_af10	NC	pop_aa10_af12	pop_aa11_af13				
	1	2	3	4	5	6	7	8	9	10	11	12	13				

Figure 2-12. CBC Pin Map [Quadrant C - Top View]

		gpio_127		gpio_128	gpio_129	mcbbsp1_fsx				vdds_x	NC	cam_d6	cam_d7	P		
		vss		mcbbsp2_clkx	mcbbsp2_dx	vdd_core				NC	NC	NC	NC	R		
		mcbbsp1_clkx		mcbbsp2_dr	mcbbsp_clks	mcbbsp1_dr				vss	vdds	NC	NC	T		
vdda_dppll_per	jtag_ntrst	jtag_tdi		mcbbsp1_dx	mcbbsp2_fsx	mcbbsp1_clkr	hsusb0_stp				NC	cvideo2_vfb	vss	pop_p21_u26	U	
jtag_tck	jtag_tms_tmisc	sys_nirq		mcbbsp1_fsr	hsusb0_data2	hsusb0_dir	hsusb0_data0				cvideo1_rset	vssa_dac	vdda_dac	cvideo2_out	V	
vdda_wkup_bg_bb	sys_clkreq	i2c4_sda		hsusb0_data4	hsusb0_nxt	hsusb0_clk	hsusb0_data3				vss	vdds	cvideo1_vfb	cvideo1_out	W	
jtag_emu1	jtag_emu0	vss		hsusb0_data7	hsusb0_data5	hsusb0_data6	hsusb0_data1				NC	uart2_cts	dss_data13	vss	Y	
												NC	uart2_rts	dss_data12	dss_data14	AA
										vss	NC	vdds	dss_data23	dss_data15	AB	
NC	vdds	vss	NC	vdds	vss	NC	vdd_core	NC	NC	vdds	dss_data22	dss_data10	AC			
vss	i2c4_scl	gpio_113	gpio_112	vdds	vdds	vdds	uart2_rx	uart2_tx	dss_data4	dss_data5	vss	dss_data11	AD			
sys_clkout1	cam_d1	cam_d0	gpio_115	gpio_114	cap_vddu_array	sys_32k	dss_data0	dss_data1	dss_data2	dss_data3	pop_y20_ae25	pop_y21_ae26	AE			
pop_aa12_af14	pop_aa13_af15	pop_aa14_af16	pop_y14_af17	pop_aa17_af18	sys_xtalin	sys_xtalout	pop_y17_af21	pop_aa19_af22	sys_xtalgn	pop_y19_af24	pop_aa20_af25	pop_aa21_af26	AF			
14	15	16	17	18	19	20	21	22	23	24	25	26				

Figure 2-13. CBC Pin Map [Quadrant D - Top View]

	1	2	3	4	5	6	7	8	9	10	11	12
A	NC	NC		sdr_c_a0	sdr_c_dqs0		sdr_c_dm2	sdr_c_dqs2		sdr_c_clk	sdr_c_nclk	
B	NC	sdr_c_a4	sdr_c_a3	sdr_c_a1	sdr_c_d3	sdr_c_dm0	sdr_c_d7	sdr_c_d18	sdr_c_d19	sdr_c_d21	sdr_c_d8	sdr_c_d10
C	gpmc_wait0	gpmc_wait3	sdr_c_a5		sdr_c_d1	sdr_c_d2	sdr_c_d6		sdr_c_d16	sdr_c_d20		sdr_c_d9
D		gpmc_ncs3				sdr_c_a2	sdr_c_d0		sdr_c_d4	sdr_c_d5		sdr_c_d22
E	gpmc_nwp	gpmc_ncs0	sdr_c_a6				sdr_c_a10		sdr_c_a9	sdr_c_a8		sdr_c_d17
F	gpmc_nadv_ale	gpmc_noe	gpmc_ncs6	gpmc_ncs4		sdr_c_a7	sdr_c_a13		sdr_c_a14	vdd_mpu_iva		vdd_core
G		gpmc_a10	gpmc_nwe	gpmc_ncs7	gpmc_ncs5	sdr_c_a11	sdr_c_a12		vdd_mpu_iva	vdd_mpu_iva		vdd_core
H	gpmc_a8	gpmc_a9						vdds_x	vdd_mpu_iva	vdd_mpu_iva	vss	vdd_core
J	gpmc_a7	gpmc_a6	gpmc_a5	gpmc_a4		vdds_mem	vdds_mem	vdds_mem	vdd_mpu_iva	vdd_mpu_iva	vss	vss
K		gpmc_a3	gpmc_a2	gpmc_a1	gpmc_nbe0_cle	vdds_mem	vdds_mem	vdds_mem		vss	vss	
L	gpmc_nbe1	gpmc_d0						vss		vss	vdd_mpu_iva	vdd_mpu_iva
M	gpmc_d1	gpmc_d2	gpmc_d4	mcspi2_cs1	mcspi2_cs0	vdd_mpu_iva	vdd_mpu_iva	vdd_mpu_iva	vss	vss	vss	vdd_mpu_iva

A. Top Views are provided to assist in hardware debugging efforts.

**Figure 2-14. CUS Pin Map [Quadrant A - Top View]**

	13	14	15	16	17	18	19	20	21	22	23	24	
A	sdr_c_dqs1	sdr_c_d14		sdr_c_dm3	sdr_c_dqs3		sdr_c_ncs0	sdr_c_nwe		cam_hs	uart3_cts_rctx	hdq_si0	
B	sdr_c_dm1	sdr_c_d13	sdr_c_d15	sdr_c_d27	sdr_c_d30	sdr_c_d31	sdr_c_ncs1	sdr_c_cke0	cam_d5	cam_xclka	uart3_rts_sd	uart3_rx_irrx	
C	sdr_c_d12		sdr_c_d26	sdr_c_d28		sdr_c_ba0	sdr_c_ncas	sdr_c_cke1		cam_xclkb	uart3_tx_irtx		
D	sdr_c_d11		sdr_c_d25	sdr_c_d29		sdr_c_ba1	sdr_c_nras				dss_data20	dss_data6	
E	sdr_c_d23		sdr_c_d24	vdd_mem		cam_vs				dss_hsync	dss_data7	dss_data8	
F	vdd_core		vdd_mem	vdd_mem		cam_wen	cam_d3		cam_d10	dss_vsync	dss_data9		
G	vdd_core		vdd_mem	vdd_mem		vdda_dpills_dll	cam_d2	cam_d4	cam_d11	dss_pclk	dss_data17	dss_data18	
H	vdd_core	vss	vdd_mem	vss	cap_vdd_sram_core						dss_data19	cam_fid	
J	vss	vss	vss	vss	vdd_core	vdd_core	cam_pclk	cam_strobe	dss_acbias	dss_data16	cam_d8		
K		vss	vss		vdd_core	vdd_core	vdd_core	i2c1_scl	i2c1_sda	dss_data21	cam_d9	cam_d7	
L	vss	vdd_core	vdd_core		vss						mmc1_cmd	cam_d6	
M	vss	vdd_core	vdd_core	vss	vdds	vdds	vdds	mmc1_dat2	mmc1_dat1	mmc1_dat0	mmc1_clk		

Figure 2-15. CUS Pin Map [Quadrant B - Top View]

N		gpmc_d3	mcspi2_somi	mcspi2_simo	mcspi2_clk	vdd_mpu_iva	vdd_mpu_iva	vdd_mpu_iva	vss	vss	vss	vss	
P	gpmc_d5	gpmc_d6						vss		vss	vss	vss	
R	gpmc_d7	gpmc_d8	gpmc_d11	mcspi1_simo	mcbbsp1_cs3	vdd_mpu_iva	vdd_mpu_iva	vdd_mpu_iva		vss	vss		
T		gpmc_d9	gpmc_d12	mcspi1_somi	mcspi1_clk	mcspi1_cs0	vdd_mpu_iva	vdd_mpu_iva	vss	vss	vss	vss	
U	gpmc_d10	gpmc_d13						cap_vdd_sram_mpu_iva	vss	vdds	vss	vdd_mpu_iva	
V	gpmc_d14	gpmc_d15	mmc2_dat3	mcbbsp3_fsx	mcbbsp3_dr	mcbbsp3_dx	uart1_rx		vdds	vdds		vdd_mpu_iva	
W		gpmc_clk	mmc2_dat2	mcbbsp3_clkx			uart1_rts	uart1_tx		vdds	vdds		vdd_mpu_iva
Y	mmc2_clk	mmc2_dat6	mmc2_dat1				sys_clkout1		vdds	sys_nres_warm		cap_vddu_wkup_logic	
AA	mmc2_dat7	mmc2_dat5				sys_clkout2	jtag_rtk		jtag_tms_tmisc	sys_nres_pwron		vdds_sram	
AB		mmc2_dat4	mmc2_dat0		mmc2_cmd	jtag_tck	jtag_nrst		jtag_tdo	jtag_tdi		sys_boot0	
AC	etk_clk	uart1_cts	etk_d10	etk_d8	etk_d4	etk_d1	etk_d2	etk_d6	etk_d11	etk_d12	etk_d14	i2c3_sda	
AD	NC	etk_d5	etk_ctl		etk_d9	etk_d0		etk_d3	etk_d7		etk_d13	etk_d15	
	1	2	3	4	5	6	7	8	9	10	11	12	

Figure 2-16. CUS Pin Map [Quadrant C - Top View]

vss	vss	vss	vss	vdds	vdds	vdds	cap_vddu_array	cap_vdd_bb_mpu_iva	gpio_126	mmc1_data3	vdds_mmc1	N
vss	vss	vss		vss						hsusb0_dir	gpio_129	P
	vss	vss		vdd_core	vdd_core	vdd_core	mcbasp2_dx	hsusb0_clk	hsusb0_nxt	hsusb0_stp		R
vss	vss	vss	vss	vdd_core	vdd_core	vdd_core	vdd_core	mcbasp2_clkx	hsusb0_data7	hsusb0_data1	hsusb0_data0	T
vdd_mpu_iva	vss	vss	vss	vdda_dpil_per						hsusb0_data3	hsusb0_data2	U
vdd_mpu_iva		vss	vss		mcbasp1_clkx	mcbasp2_dr	mcbasp2_fsx	dss_data22	dss_data15	hsusb0_data5		V
vdd_mpu_iva		sys_xtalgn	sys_nirq		mcbasp1_dx	mcbasp1_clkr		dss_data23	dss_data14	hsusb0_data6	hsusb0_data4	W
sys_clkreq		i2c4_sda	i2c4_scl		mcbasp1_dr				dss_data13	cvideo2_vfb	cvideo1_rset	Y
vdda_wkup_bg_bb		sys_boot6	sys_32k		mcbasp1_clks	mcbasp1_fsx				cvideo2_out		AA
vdda_dac		vssa_dac	sys_boot5		cam_d0	dss_data1	mcbasp1_fsr		dss_data12	cvideo1_vfb	cvideo1_out	AB
i2c3_scl	i2c2_sda	i2c2_scl	sys_boot1	sys_boot4	cam_d1	dss_data0	dss_data3	dss_data5	dss_data10	dss_data11	jtag_emu0	AC
	sys_xtaout	sys_xtalin		sys_boot2	sys_boot3		dss_data2	dss_data4		sys_off_mode	jtag_emu1	AD
13	14	15	16	17	18	19	20	21	22	23	24	

Figure 2-17. CUS Pin Map [Quadrant D - Top View]

## 2.3 Ball Characteristics

Table 2-1 through Table 2-3 describe the terminal characteristics and the signals multiplexed on each pin for the CBP, CBC, and CUS packages, respectively. The following list describes the table column headers.

1. **BALL BOTTOM:** Ball number(s) on the bottom side associated with each signal(s) on the bottom.
2. **PIN NAME:** Names of signals multiplexed on each ball (also notice that the name of the pin is the signal name in mode 0).
 

**Note:** Table 2-3 does not take into account subsystem pin multiplexing options. Subsystem pin multiplexing options are described in Section 2.5, *Signal Descriptions*.
3. **MODE:** Multiplexing mode number.
  - (a) Mode 0 is the primary mode; this means that when mode 0 is set, the function mapped on the pin corresponds to the name of the pin. There is always a function mapped on the primary mode. Notice that primary mode is not necessarily the default mode.
 

**Note:** The default mode is the mode at the release of the reset; also see the RESET REL. MODE column.
  - (b) Modes 1 to 7 are possible modes for alternate functions. On each pin, some modes are effectively used for alternate functions, while some modes are not used and do not correspond to a functional configuration.
4. **TYPE:** Signal direction
  - I = Input
  - O = Output
  - I/O = Input/Output
  - D = Open drain
  - DS = Differential
  - A = Analog
  - PWR = Power
  - GND = Ground

**Note:** In the safe\_mode, the buffer is configured in high-impedance.
5. **BALL RESET STATE:** The state of the terminal at the power-on reset.
  - 0: The buffer drives  $V_{OL}$  (pulldown/pullup resistor not activated)
  - 0(PD): The buffer drives  $V_{OL}$  with an active pulldown resistor.
  - 1: The buffer drives  $V_{OH}$  (pulldown/pullup resistor not activated)
  - 1(PU): The buffer drives  $V_{OH}$  with an active pullup resistor.
  - Z: High-impedance
  - L: High-impedance with an active pulldown resistor
  - H : High-impedance with an active pullup resistor
6. **BALL RESET REL. STATE:** The state of the terminal at the release of the System Control Module reset (PRCM CORE\_RSTPWON\_RET reset signal).
  - 0: The buffer drives  $V_{OL}$  (pulldown/pullup resistor not activated)
  - 0(PD): The buffer drives  $V_{OL}$  with an active pulldown resistor.
  - 1: The buffer drives  $V_{OH}$  (pulldown/pullup resistor not activated)
  - 1(PU): The buffer drives  $V_{OH}$  with an active pullup resistor.
  - Z: High-impedance
  - L: High-impedance with an active pulldown resistor
  - H : High-impedance with an active pullup resistor
7. **RESET REL. MODE:** The mode is automatically configured at the release of the System Control Module reset (PRCM CORE\_RSTPWON\_RET reset signal).
8. **POWER:** The voltage supply that powers the terminal's I/O buffers.
9. **HYS:** Indicates if the input buffer is with hysteresis.
10. **BUFFER STRENGTH:** Drive strength of the associated output buffer.



11. **PULL U/D - TYPE:** Denotes the presence of an internal pullup or pulldown resistor. Pullup and pulldown resistors can be enabled or disabled via software.

**Note:** The pullup/pulldown drive strength is equal to minimum = 50µA, typical = 100 µA, maximum = 250 µA (unless otherwise specified), except for CBP balls P27, P26, R27, and R25, and CUS balls N22 and P24, where the pulldown drive strength is equal to 1.8 kΩ.

12. **IO CELL:** IO cell information.

**Note:** Configuring two pins to the same input signal is not supported as it can yield unexpected results. This can be easily prevented with the proper software configuration.

### NOTE

In the DM3730/25 device, new Far End load Settings registers are added for some IOs. This new feature configures the IO according to the transmission line and the application/peripheral load. For a full description on these registers, see the System Control Module / SCM Functional Description / Functional Register Description / Signal Integrity Parameter Control Registers with Pad Group Assignment section of the *AM/DM37x Multimedia Device Technical Reference Manual* (literature number [SPRUGN4](#)).

**Table 2-1. Ball Characteristics (CBP Pkg.)<sup>(3)</sup>**

BALL BOTTOM [1]	BALL TOP [1]	PIN NAME [2]	MODE [3]	TYPE [4]	BALL RESET STATE [5]	BALL RESET REL. STATE [6]	RESET REL. MODE [7]	POWER [8]	HYS [9]	BUFFER STRENGTH (mA) [10]	PULLUP /DOWN TYPE [11]	IO CELL [12]
NA	J2	sdr_c_d0	0	IO	L	Z	0	vdds_mem	Yes	4 <sup>(12)</sup>	PU/ PD	LVC MOS
NA	J1	sdr_c_d1	0	IO	L	Z	0	vdds_mem	Yes	4 <sup>(12)</sup>	PU/ PD	LVC MOS
NA	G2	sdr_c_d2	0	IO	L	Z	0	vdds_mem	Yes	4 <sup>(12)</sup>	PU/ PD	LVC MOS
NA	G1	sdr_c_d3	0	IO	L	Z	0	vdds_mem	Yes	4 <sup>(12)</sup>	PU/ PD	LVC MOS
NA	F2	sdr_c_d4	0	IO	L	Z	0	vdds_mem	Yes	4 <sup>(12)</sup>	PU/ PD	LVC MOS
NA	F1	sdr_c_d5	0	IO	L	Z	0	vdds_mem	Yes	4 <sup>(12)</sup>	PU/ PD	LVC MOS
NA	D2	sdr_c_d6	0	IO	L	Z	0	vdds_mem	Yes	4 <sup>(12)</sup>	PU/ PD	LVC MOS
NA	D1	sdr_c_d7	0	IO	L	Z	0	vdds_mem	Yes	4 <sup>(12)</sup>	PU/ PD	LVC MOS
NA	B13	sdr_c_d8	0	IO	L	Z	0	vdds_mem	Yes	4 <sup>(12)</sup>	PU/ PD	LVC MOS
NA	A13	sdr_c_d9	0	IO	L	Z	0	vdds_mem	Yes	4 <sup>(12)</sup>	PU/ PD	LVC MOS
NA	B14	sdr_c_d10	0	IO	L	Z	0	vdds_mem	Yes	4 <sup>(12)</sup>	PU/ PD	LVC MOS
NA	A14	sdr_c_d11	0	IO	L	Z	0	vdds_mem	Yes	4 <sup>(12)</sup>	PU/ PD	LVC MOS
NA	B16	sdr_c_d12	0	IO	L	Z	0	vdds_mem	Yes	4 <sup>(12)</sup>	PU/ PD	LVC MOS
NA	A16	sdr_c_d13	0	IO	L	Z	0	vdds_mem	Yes	4 <sup>(12)</sup>	PU/ PD	LVC MOS
NA	B19	sdr_c_d14	0	IO	L	Z	0	vdds_mem	Yes	4 <sup>(12)</sup>	PU/ PD	LVC MOS
NA	A19	sdr_c_d15	0	IO	L	Z	0	vdds_mem	Yes	4 <sup>(12)</sup>	PU/ PD	LVC MOS
NA	B3	sdr_c_d16	0	IO	L	Z	0	vdds_mem	Yes	4 <sup>(12)</sup>	PU/ PD	LVC MOS
NA	A3	sdr_c_d17	0	IO	L	Z	0	vdds_mem	Yes	4 <sup>(12)</sup>	PU/ PD	LVC MOS
NA	B5	sdr_c_d18	0	IO	L	Z	0	vdds_mem	Yes	4 <sup>(12)</sup>	PU/ PD	LVC MOS
NA	A5	sdr_c_d19	0	IO	L	Z	0	vdds_mem	Yes	4 <sup>(12)</sup>	PU/ PD	LVC MOS
NA	B8	sdr_c_d20	0	IO	L	Z	0	vdds_mem	Yes	4 <sup>(12)</sup>	PU/ PD	LVC MOS
NA	A8	sdr_c_d21	0	IO	L	Z	0	vdds_mem	Yes	4 <sup>(12)</sup>	PU/ PD	LVC MOS
NA	B9	sdr_c_d22	0	IO	L	Z	0	vdds_mem	Yes	4 <sup>(12)</sup>	PU/ PD	LVC MOS
NA	A9	sdr_c_d23	0	IO	L	Z	0	vdds_mem	Yes	4 <sup>(12)</sup>	PU/ PD	LVC MOS
NA	B21	sdr_c_d24	0	IO	L	Z	0	vdds_mem	Yes	4 <sup>(12)</sup>	PU/ PD	LVC MOS
NA	A21	sdr_c_d25	0	IO	L	Z	0	vdds_mem	Yes	4 <sup>(12)</sup>	PU/ PD	LVC MOS
NA	D22	sdr_c_d26	0	IO	L	Z	0	vdds_mem	Yes	4 <sup>(12)</sup>	PU/ PD	LVC MOS
NA	D23	sdr_c_d27	0	IO	L	Z	0	vdds_mem	Yes	4 <sup>(12)</sup>	PU/ PD	LVC MOS
NA	E22	sdr_c_d28	0	IO	L	Z	0	vdds_mem	Yes	4 <sup>(12)</sup>	PU/ PD	LVC MOS
NA	E23	sdr_c_d29	0	IO	L	Z	0	vdds_mem	Yes	4 <sup>(12)</sup>	PU/ PD	LVC MOS
NA	G22	sdr_c_d30	0	IO	L	Z	0	vdds_mem	Yes	4 <sup>(12)</sup>	PU/ PD	LVC MOS
NA	G23	sdr_c_d31	0	IO	L	Z	0	vdds_mem	Yes	4 <sup>(12)</sup>	PU/ PD	LVC MOS
NA	AB21	sdr_c_ba0	0	O	0	0	0	vdds_mem	No	4 <sup>(12)</sup>	NA	LVC MOS
NA	AC21	sdr_c_ba1	0	O	0	0	0	vdds_mem	No	4 <sup>(12)</sup>	NA	LVC MOS

Table 2-1. Ball Characteristics (CBP Pkg.)<sup>(3)</sup> (continued)

BALL BOTTOM [1]	BALL TOP [1]	PIN NAME [2]	MODE [3]	TYPE [4]	BALL RESET STATE [5]	BALL RESET REL. STATE [6]	RESET REL. MODE [7]	POWER [8]	HYS [9]	BUFFER STRENGTH (mA) [10]	PULLUP /DOWN TYPE [11]	IO CELL [12]
NA	N22	sdr_c_a0	0	O	0	0	0	vdds_mem	No	4 <sup>(12)</sup>	NA	LVC MOS
NA	N23	sdr_c_a1	0	O	0	0	0	vdds_mem	No	4 <sup>(12)</sup>	NA	LVC MOS
NA	P22	sdr_c_a2	0	O	0	0	0	vdds_mem	No	4 <sup>(12)</sup>	NA	LVC MOS
NA	P23	sdr_c_a3	0	O	0	0	0	vdds_mem	No	4 <sup>(12)</sup>	NA	LVC MOS
NA	R22	sdr_c_a4	0	O	0	0	0	vdds_mem	No	4 <sup>(12)</sup>	NA	LVC MOS
NA	R23	sdr_c_a5	0	O	0	0	0	vdds_mem	No	4 <sup>(12)</sup>	NA	LVC MOS
NA	T22	sdr_c_a6	0	O	0	0	0	vdds_mem	No	4 <sup>(12)</sup>	NA	LVC MOS
NA	T23	sdr_c_a7	0	O	0	0	0	vdds_mem	No	4 <sup>(12)</sup>	NA	LVC MOS
NA	U22	sdr_c_a8	0	O	0	0	0	vdds_mem	No	4 <sup>(12)</sup>	NA	LVC MOS
NA	U23	sdr_c_a9	0	O	0	0	0	vdds_mem	No	4 <sup>(12)</sup>	NA	LVC MOS
NA	V22	sdr_c_a10	0	O	0	0	0	vdds_mem	No	4 <sup>(12)</sup>	NA	LVC MOS
NA	V23	sdr_c_a11	0	O	0	0	0	vdds_mem	No	4 <sup>(12)</sup>	NA	LVC MOS
NA	W22	sdr_c_a12	0	O	0	0	0	vdds_mem	No	4 <sup>(12)</sup>	NA	LVC MOS
NA	W23	sdr_c_a13	0	O	0	0	0	vdds_mem	No	4 <sup>(12)</sup>	NA	LVC MOS
NA	Y22	sdr_c_a14	0	O	0	0	0	vdds_mem	No	4 <sup>(12)</sup>	NA	LVC MOS
NA	M22	sdr_c_ncs0	0	O	1	1	0	vdds_mem	No	4 <sup>(12)</sup>	NA	LVC MOS
NA	M23	sdr_c_ncs1	0	O	1	1	0	vdds_mem	No	4 <sup>(12)</sup>	NA	LVC MOS
NA	A11	sdr_c_clk	0	IO	L	0	0	vdds_mem	Yes	4 <sup>(12)</sup>	PU/ PD	LVC MOS
NA	B11	sdr_c_nclk	0	O	1	1	0	vdds_mem	No	4 <sup>(12)</sup>	NA	LVC MOS
NA	J22	sdr_c_cke0	0	O	H	1	7	vdds_mem	Yes	4 <sup>(12)</sup>	PU/ PD	LVC MOS
		safe_mode_out1 <sup>(13)</sup>	7									
NA	J23	sdr_c_cke1	0	O	H	1	7	vdds_mem	NA	4 <sup>(12)</sup>	PU/ PD	LVC MOS
		safe_mode_out1 <sup>(13)</sup>	7									
NA	L23	sdr_c_nras	0	O	1	1	0	vdds_mem	No	4 <sup>(12)</sup>	NA	LVC MOS
NA	L22	sdr_c_ncas	0	O	1	1	0	vdds_mem	No	4 <sup>(12)</sup>	NA	LVC MOS
NA	K23	sdr_c_nwe	0	O	1	1	0	vdds_mem	No	4 <sup>(12)</sup>	NA	LVC MOS
NA	C1	sdr_c_dm0	0	O	0	0	0	vdds_mem	No	4 <sup>(12)</sup>	NA	LVC MOS
NA	A17	sdr_c_dm1	0	O	0	0	0	vdds_mem	No	4 <sup>(12)</sup>	NA	LVC MOS
NA	A6	sdr_c_dm2	0	O	0	0	0	vdds_mem	No	4 <sup>(12)</sup>	NA	LVC MOS
NA	A20	sdr_c_dm3	0	O	0	0	0	vdds_mem	No	4 <sup>(12)</sup>	NA	LVC MOS
NA	C2	sdr_c_dqs0	0	IO	L	Z	0	vdds_mem	Yes	4 <sup>(12)</sup>	PU/ PD	LVC MOS
NA	B17	sdr_c_dqs1	0	IO	L	Z	0	vdds_mem	Yes	4 <sup>(12)</sup>	PU/ PD	LVC MOS
NA	B6	sdr_c_dqs2	0	IO	L	Z	0	vdds_mem	Yes	4 <sup>(12)</sup>	PU/ PD	LVC MOS
NA	B20	sdr_c_dqs3	0	IO	L	Z	0	vdds_mem	Yes	4 <sup>(12)</sup>	PU/ PD	LVC MOS
N4	AC15	gpmc_a1	0	O	L	L	7	vdds_mem	Yes	8	PU/ PD	LVC MOS
		gpio_34	4	IO								
		safe_mode	7									
M4	AB15	gpmc_a2	0	O	L	L	7	vdds_mem	Yes	8	PU/ PD	LVC MOS
		gpio_35	4	IO								
		safe_mode	7									
L4	AC16	gpmc_a3	0	O	L	L	7	vdds_mem	Yes	8	PU/ PD	LVC MOS
		gpio_36	4	IO								
		safe_mode	7									
K4	AB16	gpmc_a4	0	O	L	L	7	vdds_mem	Yes	8	PU/ PD	LVC MOS
		gpio_37	4	IO								
		safe_mode	7									
T3	AC17	gpmc_a5	0	O	L	L	7	vdds_mem	Yes	8	PU/ PD	LVC MOS
		gpio_38	4	IO								
		safe_mode	7									
R3	AB17	gpmc_a6	0	O	H	H	7	vdds_mem	Yes	8	PU/ PD	LVC MOS
		gpio_39	4	IO								
		safe_mode	7									

**Table 2-1. Ball Characteristics (CBP Pkg.)<sup>(3)</sup> (continued)**

BALL BOTTOM [1]	BALL TOP [1]	PIN NAME [2]	MODE [3]	TYPE [4]	BALL RESET STATE [5]	BALL RESET REL. STATE [6]	RESET REL. MODE [7]	POWER [8]	HYS [9]	BUFFER STRENGTH (mA) [10]	PULLUP /DOWN TYPE [11]	IO CELL [12]
N3	AC18	gpmc_a7	0	O	H	H	7	vdds_mem	Yes	8	PU/ PD	LVCMOS
		gpio_40	4	IO								
		safe_mode	7									
M3	AB18	gpmc_a8	0	O	H	H	7	vdds_mem	Yes	8	PU/ PD	LVCMOS
		gpio_41	4	IO								
		safe_mode	7									
L3	AC19	gpmc_a9	0	O	H	H	7	vdds_mem	Yes	8	PU/ PD	LVCMOS
		sys_ndmareq2	1	I								
		gpio_42	4	IO								
		safe_mode	7									
K3	AB19	gpmc_a10	0	O	H	H	7	vdds_mem	Yes	8	PU/ PD	LVCMOS
		sys_ndmareq3	1	I								
		gpio_43	4	IO								
		safe_mode	7									
NA	AC20	gpmc_a11	0	O	L	L	7	vdds_mem	Yes	8	PU/ PD	LVCMOS
		safe_mode	7									
K1	M2	gpmc_d0	0	IO	H	H	0	vdds_mem	Yes	8	PU/ PD	LVCMOS
L1	M1	gpmc_d1	0	IO	H	H	0	vdds_mem	Yes	8	PU/ PD	LVCMOS
L2	N2	gpmc_d2	0	IO	H	H	0	vdds_mem	Yes	8	PU/ PD	LVCMOS
P2	N1	gpmc_d3	0	IO	H	H	0	vdds_mem	Yes	8	PU/ PD	LVCMOS
T1	R2	gpmc_d4	0	IO	H	H	0	vdds_mem	Yes	8	PU/ PD	LVCMOS
V1	R1	gpmc_d5	0	IO	H	H	0	vdds_mem	Yes	8	PU/ PD	LVCMOS
V2	T2	gpmc_d6	0	IO	H	H	0	vdds_mem	Yes	8	PU/ PD	LVCMOS
W2	T1	gpmc_d7	0	IO	H	H	0	vdds_mem	Yes	8	PU/ PD	LVCMOS
H2	AB3	gpmc_d8	0	IO	H	H	0	vdds_mem	Yes	8	PU/ PD	LVCMOS
		gpio_44	4	IO								
		safe_mode	7									
K2	AC3	gpmc_d9	0	IO	H	H	0	vdds_mem	Yes	8	PU/ PD	LVCMOS
		gpio_45	4	IO								
		safe_mode	7									
P1	AB4	gpmc_d10	0	IO	H	H	0	vdds_mem	Yes	8	PU/ PD	LVCMOS
		gpio_46	4	IO								
		safe_mode	7									
R1	AC4	gpmc_d11	0	IO	H	H	0	vdds_mem	Yes	8	PU/ PD	LVCMOS
		gpio_47	4	IO								
		safe_mode	7									
R2	AB6	gpmc_d12	0	IO	H	H	0	vdds_mem	Yes	8	PU/ PD	LVCMOS
		gpio_48	4	IO								
		safe_mode	7									
T2	AC6	gpmc_d13	0	IO	H	H	0	vdds_mem	Yes	8	PU/ PD	LVCMOS
		gpio_49	4	IO								
		safe_mode	7									
W1	AB7	gpmc_d14	0	IO	H	H	0	vdds_mem	Yes	8	PU/ PD	LVCMOS
		gpio_50	4	IO								
		safe_mode	7									
Y1	AC7	gpmc_d15	0	IO	H	H	0	vdds_mem	Yes	8	PU/ PD	LVCMOS
		gpio_51	4	IO								
		safe_mode	7									
G4	Y2	gpmc_ncs0	0	O	1	1	0	vdds_mem	NA	8	NA	LVCMOS
H3	Y1	gpmc_ncs1	0	O	H	1	0	vdds_mem	Yes	8	PU/ PD	LVCMOS
		gpio_52	4	IO								
		safe_mode	7									

Table 2-1. Ball Characteristics (CBP Pkg.)<sup>(3)</sup> (continued)

BALL BOTTOM [1]	BALL TOP [1]	PIN NAME [2]	MODE [3]	TYPE [4]	BALL RESET STATE [5]	BALL RESET REL. STATE [6]	RESET REL. MODE [7]	POWER [8]	HYS [9]	BUFFER STRENGTH (mA) [10]	PULLUP /DOWN TYPE [11]	IO CELL [12]
V8	NA	gpmc_ncs2	0	O	H	H	7	vdds_mem	Yes	8	PU/ PD	LVCMOS
		gpio_53	4	IO								
		safe_mode	7									
U8	NA	gpmc_ncs3	0	O	H	H	7	vdds_mem	Yes	8	PU/ PD	LVCMOS
		sys_ndmareq0	1	I								
		gpio_54	4	IO								
		safe_mode	7									
T8	NA	gpmc_ncs4	0	O	H	H	7	vdds_mem	Yes	8	PU/ PD	LVCMOS
		sys_ndmareq1	1	I								
		mcbsp4_clkx	2	IO								
		gpt_9_pwm_evt	3	IO								
		gpio_55	4	IO								
		safe_mode	7									
R8	NA	gpmc_ncs5	0	O	H	H	7	vdds_mem	Yes	8	PU/ PD	LVCMOS
		sys_ndmareq2	1	I								
		mcbsp4_dr	2	I								
		gpt_10_pwm_evt	3	IO								
		gpio_56	4	IO								
		safe_mode	7									
P8	NA	gpmc_ncs6	0	O	H	H	7	vdds_mem	Yes	8	PU/ PD	LVCMOS
		sys_ndmareq3	1	I								
		mcbsp4_dx	2	IO								
		gpt_11_pwm_evt	3	IO								
		gpio_57	4	IO								
		safe_mode	7									
N8	NA	gpmc_ncs7	0	O	H	H	7	vdds_mem	Yes	8	PU/ PD	LVCMOS
		gpmc_io_dir	1	O								
		mcbsp4_fsx	2	IO								
		gpt_8_pwm_evt	3	IO								
		gpio_58	4	IO								
		safe_mode	7									
T4	W2	gpmc_clk	0	O	L	0	0	vdds_mem	Yes	8	PU/ PD	LVCMOS
		gpio_59	4	IO								
		safe_mode	7									
F3	W1	gpmc_nadv_ale	0	O	0	0	0	vdds_mem	NA	8	PU/ PD	LVCMOS
G2	V2	gpmc_noe	0	O	1	1	0	vdds_mem	NA	8	PU/ PD	LVCMOS
F4	V1	gpmc_nwe	0	O	1	1	0	vdds_mem	NA	8	PU/ PD	LVCMOS
G3	AC12	gpmc_nbe0_cle	0	O	L	0	0	vdds_mem	Yes	8	PU/ PD	LVCMOS
		gpio_60	4	IO								
		safe_mode	7									
U3	NA	gpmc_nbe1	0	O	L	L	7	vdds_mem	Yes	8	PU/ PD	LVCMOS
		gpio_61	4	IO								
		safe_mode	7									
H1	AB10	gpmc_nwp	0	O	L	0	0	vdds_mem	Yes	8	PU/ PD	LVCMOS
		gpio_62	4	IO								
		safe_mode	7									
M8	AB12	gpmc_wait0	0	I	H	H	0	vdds_mem	Yes	NA	PU/ PD	LVCMOS
L8	AC10	gpmc_wait1	0	I	H	H	7	vdds_mem	Yes	8	PU/ PD	LVCMOS
		gpio_63	4	IO								
		safe_mode	7									
K8	NA	gpmc_wait2	0	I	H	H	7	vdds_mem	Yes	8	PU/ PD	LVCMOS
		uart4_tx	2	O								
		gpio_64	4	IO								
		safe_mode	7									

**Table 2-1. Ball Characteristics (CBP Pkg.)<sup>(3)</sup> (continued)**

BALL BOTTOM [1]	BALL TOP [1]	PIN NAME [2]	MODE [3]	TYPE [4]	BALL RESET STATE [5]	BALL RESET REL. STATE [6]	RESET REL. MODE [7]	POWER [8]	HYS [9]	BUFFER STRENGTH (mA) [10]	PULLUP /DOWN TYPE [11]	IO CELL [12]
J8	NA	gpmc_wait3	0	I	H	H	7	vdds_mem	Yes	8	PU/ PD	LVCMOS
		sys_ndmareq1	1	I								
		uart4_rx	2	I								
		gpio_65	4	IO								
		safe_mode	7									
D28	NA	dss_pclk	0	O	H	H	7	vdds	Yes	8	PU/ PD	LVCMOS
		gpio_66	4	IO								
		hw_dbg12	5	O								
		safe_mode	7									
D26	NA	dss_hsync	0	O	H	H	7	vdds	Yes	8	PU/ PD	LVCMOS
		gpio_67	4	IO								
		hw_dbg13	5	O								
		safe_mode	7									
D27	NA	dss_vsync	0	O	H	H	7	vdds	Yes	8	PU/ PD	LVCMOS
		gpio_68	4	IO								
		safe_mode	7									
E27	NA	dss_acbias	0	O	L	L	7	vdds	Yes	8	PU/ PD	LVCMOS
		gpio_69	4	IO								
		safe_mode	7									
AG22	NA	dss_data0	0	IO	L	L	7	vdds	Yes	8	PU/ PD	LVCMOS
		uart1_cts	2	I						NA		
		gpio_70	4	IO						8		
		safe_mode	7							8		
AH22	NA	dss_data1	0	IO	L	L	7	vdds	Yes	8	PU/ PD	LVCMOS
		uart1_rts	2	O						8		
		gpio_71	4	IO						8		
		safe_mode	7							8		
AG23	NA	dss_data2	0	IO	L	L	7	vdds	Yes	8	PU/ PD	LVCMOS
		gpio_72	4	IO						8		
		safe_mode	7							8		
AH23	NA	dss_data3	0	IO	L	L	7	vdds	Yes	8	PU/ PD	LVCMOS
		gpio_73	4	IO						8		
		safe_mode	7							8		
AG24	NA	dss_data4	0	IO	L	L	7	vdds	Yes	8	PU/ PD	LVCMOS
		uart3_rx_irrx	2	I						NA		
		gpio_74	4	IO						8		
		safe_mode	7							8		
AH24	NA	dss_data5	0	IO	L	L	7	vdds	Yes	8	PU/ PD	LVCMOS
		uart3_tx_irtx	2	O						8		
		gpio_75	4	IO						8		
		safe_mode	7							8		
E26	NA	dss_data6	0	IO	L	L	7	vdds	Yes	8	PU/ PD	LVCMOS
		uart1_tx	2	O								
		gpio_76	4	IO								
		hw_dbg14	5	O								
F28	NA	dss_data7	0	IO	L	L	7	vdds	Yes	8	PU/ PD	LVCMOS
		uart1_rx	2	I								
		gpio_77	4	IO								
		hw_dbg15	5	O								
		safe_mode	7									

Table 2-1. Ball Characteristics (CBP Pkg.)<sup>(3)</sup> (continued)

BALL BOTTOM [1]	BALL TOP [1]	PIN NAME [2]	MODE [3]	TYPE [4]	BALL RESET STATE [5]	BALL RESET REL. STATE [6]	RESET REL. MODE [7]	POWER [8]	HYS [9]	BUFFER STRENGTH (mA) [10]	PULLUP /DOWN TYPE [11]	IO CELL [12]
F27	NA	dss_data8	0	IO	L	L	7	vdds	Yes	8	PU/ PD	LVC MOS
		uart3_rx_irrx	2	I								
		gpio_78	4	IO								
		hw_dbg16	5	O								
		safe_mode	7									
G26	NA	dss_data9	0	IO	L	L	7	vdds	Yes	8	PU/ PD	LVC MOS
		uart3_tx_irtx	2	O								
		gpio_79	4	IO								
		hw_dbg17	5	O								
		safe_mode	7									
AD28	NA	dss_data10	0	IO	L	L	7	vdds	Yes	8	PU/ PD	LVC MOS
		gpio_80	4	IO								
		safe_mode	7									
AD27	NA	dss_data11	0	IO	L	L	7	vdds	Yes	8	PU/ PD	LVC MOS
		gpio_81	4	IO								
		safe_mode	7									
AB28	NA	dss_data12	0	IO	L	L	7	vdds	Yes	8	PU/ PD	LVC MOS
		gpio_82	4	IO								
		safe_mode	7									
AB27	NA	dss_data13	0	IO	L	L	7	vdds	Yes	8	PU/ PD	LVC MOS
		gpio_83	4	IO								
		safe_mode	7									
AA28	NA	dss_data14	0	IO	L	L	7	vdds	Yes	8	PU/ PD	LVC MOS
		gpio_84	4	IO								
		safe_mode	7									
AA27	NA	dss_data15	0	IO	L	L	7	vdds	Yes	8	PU/ PD	LVC MOS
		gpio_85	4	IO								
		safe_mode	7									
G25	NA	dss_data16	0	IO	L	L	7	vdds	Yes	8	PU/ PD	LVC MOS
		gpio_86	4	IO								
		safe_mode	7									
H27	NA	dss_data17	0	IO	L	L	7	vdds	Yes	8	PU/ PD	LVC MOS
		gpio_87	4	IO								
		safe_mode	7									
H26	NA	dss_data18	0	IO	L	L	7	vdds	Yes	8	PU/ PD	LVC MOS
		mcspi3_clk	2	IO								
		dss_data0	3	IO								
		gpio_88	4	IO								
		safe_mode	7									
H25	NA	dss_data19	0	IO	L	L	7	vdds	Yes	8	PU/ PD	LVC MOS
		mcspi3_simo	2	IO								
		dss_data1	3	IO								
		gpio_89	4	IO								
		safe_mode	7									
E28	NA	dss_data20	0	O	H	H	7	vdds	Yes	8	PU/ PD	LVC MOS
		mcspi3_somi	2	IO								
		dss_data2	3	IO								
		gpio_90	4	IO								
		safe_mode	7									
J26	NA	dss_data21	0	O	L	L	7	vdds	Yes	8	PU/ PD	LVC MOS
		mcspi3_cs0	2	IO								
		dss_data3	3	IO								
		gpio_91	4	IO								
		safe_mode	7									

**Table 2-1. Ball Characteristics (CBP Pkg.)<sup>(3)</sup> (continued)**

BALL BOTTOM [1]	BALL TOP [1]	PIN NAME [2]	MODE [3]	TYPE [4]	BALL RESET STATE [5]	BALL RESET REL. STATE [6]	RESET REL. MODE [7]	POWER [8]	HYS [9]	BUFFER STRENGTH (mA) [10]	PULLUP /DOWN TYPE [11]	IO CELL [12]
AC27	NA	dss_data22	0	O	L	L	7	vdds	Yes	8	PU/ PD	LVCMOS
		mcspi3_cs1	2	O								
		dss_data4	3	IO								
		gpio_92	4	IO								
		safe_mode	7									
AC28	NA	dss_data23	0	O	L	L	7	vdds	Yes	8	PU/ PD	LVCMOS
		dss_data5	3	IO								
		gpio_93	4	IO								
		safe_mode	7									
W28	NA	cvideo2_out	0	AO	0	0	0	vdda_dac	NA	NA <sup>(4)</sup>	NA	10-bit DAC
Y28	NA	cvideo1_out	0	AO	0	0	0	vdda_dac	NA	NA <sup>(4)</sup>	NA	10-bit DAC
Y27	NA	cvideo1_vfb	0	AO	0	NA	0	vdda_dac	NA	NA <sup>(10)</sup>	NA	10-bit DAC
W27	NA	cvideo2_vfb	0	AO	0	NA	0	vdda_dac	NA	NA <sup>(10)</sup>	NA	10-bit DAC
W26	NA	cvideo1_rset	0	AIO	0	NA	0	vdda_dac	No	NA	NA	10-bit DAC
A24	NA	cam_hs	0	IO	L	L	7	vdds	Yes	4	PU/ PD	LVCMOS
		gpio_94	4	IO								
		hw_dbg0	5	O								
		safe_mode	7									
A23	NA	cam_vs	0	IO	L	L	7	vdds	Yes	4	PU/ PD	LVCMOS
		gpio_95	4	IO								
		hw_dbg1	5	O								
		safe_mode	7									
C25	NA	cam_xclka	0	O	L	L	7	vdds	Yes	4	PU/ PD	LVCMOS
		gpio_96	4	IO								
		safe_mode	7									
C27	NA	cam_pclk	0	I	L	L	7	vdds	Yes	4	PU/ PD	LVCMOS
		gpio_97	4	IO								
		hw_dbg2	5	O								
		safe_mode	7									
C23	NA	cam_fld	0	IO	L	L	7	vdds	Yes	4	PU/ PD	LVCMOS
		cam_global_reset	2	IO								
		gpio_98	4	IO								
		hw_dbg3	5	O								
		safe_mode	7									
AG17	NA	cam_d0	0	I	L	L	7	vdds	Yes	NA	PU/PD	LVCMOS
		gpio_99	4	I								
		safe_mode	7									
AH17	NA	cam_d1	0	I	L	L	7	vdds	Yes	NA	PU/PD	LVCMOS
		gpio_100	4	I								
		safe_mode	7									
B24	NA	cam_d2	0	I	L	L	7	vdds	Yes	8	PU/ PD	LVCMOS
		gpio_101	4	IO								
		hw_dbg4	5	O								
		safe_mode	7									
C24	NA	cam_d3	0	I	L	L	7	vdds	Yes	8	PU/ PD	LVCMOS
		gpio_102	4	IO								
		hw_dbg5	5	O								
		safe_mode	7									
D24	NA	cam_d4	0	I	L	L	7	vdds	Yes	8	PU/ PD	LVCMOS
		gpio_103	4	IO								
		hw_dbg6	5	O								
		safe_mode	7									
A25	NA	cam_d5	0	I	L	L	7	vdds	Yes	8	PU/ PD	LVCMOS
		gpio_104	4	IO								

Table 2-1. Ball Characteristics (CBP Pkg.)<sup>(3)</sup> (continued)

BALL BOTTOM [1]	BALL TOP [1]	PIN NAME [2]	MODE [3]	TYPE [4]	BALL RESET STATE [5]	BALL RESET REL. STATE [6]	RESET REL. MODE [7]	POWER [8]	HYS [9]	BUFFER STRENGTH (mA) [10]	PULLUP /DOWN TYPE [11]	IO CELL [12]
		hw_dbg7	5	O								
		safe_mode	7									
K28	NA	cam_d6	0	I	L	L	7	vdds	Yes	NA	PU/ PD	LVC MOS
		gpio_105	4	I								
		safe_mode	7									
L28	NA	cam_d7	0	I	L	L	7	vdds	Yes	NA	PU/ PD	LVC MOS
		gpio_106	4	I								
		safe_mode	7									
K27	NA	cam_d8	0	I	L	L	7	vdds	Yes	NA	PU/ PD	LVC MOS
		gpio_107	4	I								
		safe_mode	7									
L27	NA	cam_d9	0	I	L	L	7	vdds	Yes	NA	PU/ PD	LVC MOS
		gpio_108	4	I								
		safe_mode	7									
B25	NA	cam_d10	0	I	L	L	7	vdds	Yes	8	PU/ PD	LVC MOS
		gpio_109	4	IO								
		hw_dbg8	5	O								
		safe_mode	7									
C26	NA	cam_d11	0	I	L	L	7	vdds	Yes	8	PU/ PD	LVC MOS
		gpio_110	4	IO								
		hw_dbg9	5	O								
		safe_mode	7									
B26	NA	cam_xclkb	0	O	L	L	7	vdds	Yes	4	PU/ PD	LVC MOS
		gpio_111	4	IO								
		safe_mode	7									
B23	NA	cam_wen	0	I	L	L	7	vdds	Yes	4	PU/ PD	LVC MOS
		cam_shutter	2	O								
		gpio_167	4	IO								
		hw_dbg10	5	O								
		safe_mode	7									
D25	NA	cam_strobe	0	O	L	L	7	vdds	Yes	4	PU/ PD	LVC MOS
		gpio_126	4	IO								
		hw_dbg11	5	O								
		safe_mode	7									
AG19	NA	gpio_112	4	I	L	L	7	vdds	Yes	NA	PU/PD	LVC MOS
		safe_mode	7									
AH19	NA	gpio_113	4	I	L	L	7	vdds	Yes	NA	PU/PD	LVC MOS
		safe_mode	7									
AG18	NA	gpio_114	4	I	L	L	7	vdds	Yes	NA	PU/PD	LVC MOS
		safe_mode	7	-								
AH18	NA	gpio_115	4	I	L	L	7	vdds	Yes	NA	PU/PD	LVC MOS
		safe_mode	7	-								
P21	NA	mcbasp2_fsx	0	IO	L	L	7	vdds	Yes	4	PU/ PD	LVC MOS
		gpio_116	4	IO								
		safe_mode	7									
N21	NA	mcbasp2_clkx	0	IO	L	L	7	vdds	Yes	4	PU/ PD	LVC MOS
		gpio_117	4	IO								
		safe_mode	7									
R21	NA	mcbasp2_dr	0	I	L	L	7	vdds	Yes	4	PU/ PD	LVC MOS
		gpio_118	4	IO								
		safe_mode	7									
M21	NA	mcbasp2_dx	0	IO	L	L	7	vdds	Yes	4	PU/ PD	LVC MOS
		gpio_119	4	IO								
		safe_mode	7									



**Table 2-1. Ball Characteristics (CBP Pkg.)<sup>(3)</sup> (continued)**

BALL BOTTOM [1]	BALL TOP [1]	PIN NAME [2]	MODE [3]	TYPE [4]	BALL RESET STATE [5]	BALL RESET REL. STATE [6]	RESET REL. MODE [7]	POWER [8]	HYS [9]	BUFFER STRENGTH (mA) [10]	PULLUP /DOWN TYPE [11]	IO CELL [12]
N28	NA	mmc1_clk	0	O	L	L	7	vdds_mmc1 <sup>(15)</sup>	Yes	1	PU/ PD <sup>(5)</sup>	LVC MOS
		gpio_120 <sup>(1)</sup>	4	IO								
		safe_mode	7									
M27	NA	mmc1_cmd	0	IO	L	L	7	vdds_mmc1 <sup>(15)</sup>	Yes	1	PU/ PD <sup>(5)</sup>	LVC MOS
		gpio_121 <sup>(1)</sup>	4	IO								
		safe_mode	7									
N27	NA	mmc1_dat0	0	IO	L	L	7	vdds_mmc1 <sup>(15)</sup>	Yes	1	PU/ PD <sup>(5)</sup>	LVC MOS
		gpio_122 <sup>(1)</sup>	4	IO								
		safe_mode	7									
N26	NA	mmc1_dat1	0	IO	L	L	7	vdds_mmc1 <sup>(15)</sup>	Yes	1	PU/ PD <sup>(5)</sup>	LVC MOS
		gpio_123 <sup>(1)</sup>	4	IO								
		safe_mode	7									
N25	NA	mmc1_dat2	0	IO	L	L	7	vdds_mmc1 <sup>(15)</sup>	Yes	1	PU/ PD <sup>(5)</sup>	LVC MOS
		gpio_124 <sup>(1)</sup>	4	IO								
		safe_mode	7									
P28	NA	mmc1_dat3	0	IO	L	L	7	vdds_mmc1 <sup>(15)</sup>	Yes	1	PU/ PD <sup>(5)</sup>	LVC MOS
		gpio_125 <sup>(1)</sup>	4	IO								
		safe_mode	7									
P27	NA	gpio_126 <sup>(1)</sup>	4	IO	L	L	7	vdds_x	Yes	1	PU/ PD <sup>(5)</sup>	LVC MOS
		safe_mode	7									
P26	NA	gpio_127 <sup>(1)</sup>	4	IO	L	L	7	vdds_x	Yes	1	PU/ PD <sup>(5)</sup>	LVC MOS
		safe_mode	7									
R27	NA	gpio_128	4	IO	L	L	7	vdds	Yes	4	PU/ PD	LVC MOS
		safe_mode	7									
R25	NA	gpio_129 <sup>(1)</sup>	4	IO	L	L	7	vdds_x	Yes	1	PU/ PD <sup>(5)</sup>	LVC MOS
		safe_mode	7									
AE2	NA	mmc2_clk	0	O	L	L	7	vdds	Yes	4	PU/ PD	LVC MOS
		mcspi3_clk	1	IO								
		gpio_130	4	IO								
		safe_mode	7									
AG5	NA	mmc2_cmd	0	IO	H	H	7	vdds	Yes	4	PU/ PD	LVC MOS
		mcspi3_simo	1	IO								
		gpio_131	4	IO								
		safe_mode	7									
AH5	NA	mmc2_dat0	0	IO	H	H	7	vdds	Yes	4	PU/ PD	LVC MOS
		mcspi3_somi	1	IO								
		gpio_132	4	IO								
		safe_mode	7									
AH4	NA	mmc2_dat1	0	IO	H	H	7	vdds	Yes	4	PU/ PD	LVC MOS
		gpio_133	4	IO								
		safe_mode	7									
AG4	NA	mmc2_dat2	0	IO	H	H	7	vdds	Yes	4	PU/ PD	LVC MOS
		mcspi3_cs1	1	O								
		gpio_134	4	IO								
		safe_mode	7									
AF4	NA	mmc2_dat3	0	IO	H	H	7	vdds	Yes	4	PU/ PD	LVC MOS
		mcspi3_cs0	1	IO								
		gpio_135	4	IO								
		safe_mode	7									
AE4	NA	mmc2_dat4	0	IO	L	L	7	vdds	Yes	4	PU/ PD	LVC MOS

Table 2-1. Ball Characteristics (CBP Pkg.)<sup>(3)</sup> (continued)

BALL BOTTOM [1]	BALL TOP [1]	PIN NAME [2]	MODE [3]	TYPE [4]	BALL RESET STATE [5]	BALL RESET REL. STATE [6]	RESET REL. MODE [7]	POWER [8]	HYS [9]	BUFFER STRENGTH (mA) [10]	PULLUP /DOWN TYPE [11]	IO CELL [12]
		mmc2_dir_dat0	1	O								
		mmc3_dat0	3	IO								
		gpio_136	4	IO								
		safe_mode	7									
AH3	NA	mmc2_dat5	0	IO	L	L	7	vdds	Yes	4	PU/ PD	LVC MOS
		mmc2_dir_dat1	1	O								
		cam_global_reset	2	IO								
		mmc3_dat1	3	IO								
		gpio_137	4	IO								
		mm3_rxdp	6	IO								
		safe_mode	7									
AF3	NA	mmc2_dat6	0	IO	L	L	7	vdds	Yes	4	PU/ PD	LVC MOS
		mmc2_dir_cmd	1	O								
		cam_shutter	2	O								
		mmc3_dat2	3	IO								
		gpio_138	4	IO								
		safe_mode	7									
AE3	NA	mmc2_dat7	0	IO	L	L	7	vdds	Yes	4	PU/ PD	LVC MOS
		mmc2_clkln	1	I								
		mmc3_dat3	3	IO								
		gpio_139	4	IO								
		mm3_rxdm	6	IO								
		safe_mode	7									
AF6	NA	mcbasp3_dx	0	IO	L	L	7	vdds	Yes	4	PU/ PD	LVC MOS
		uart2_cts	1	I								
		gpio_140	4	IO								
		safe_mode	7									
AE6	NA	mcbasp3_dr	0	I	L	L	7	vdds	Yes	4	PU/ PD	LVC MOS
		uart2_rts	1	O								
		gpio_141	4	IO								
		safe_mode	7									
AF5	NA	mcbasp3_clkx	0	IO	L	L	7	vdds	Yes	4	PU/ PD	LVC MOS
		uart2_tx	1	O								
		gpio_142	4	IO								
		safe_mode	7									
AE5	NA	mcbasp3_fsx	0	IO	L	L	7	vdds	Yes	4	PU/ PD	LVC MOS
		uart2_rx	1	I								
		gpio_143	4	IO								
		safe_mode	7									
AB26	NA	uart2_cts	0	I	H	H	7	vdds	Yes	4	PU/ PD	LVC MOS
		mcbasp3_dx	1	IO								
		gpt_9_pwm_evt	2	IO								
		gpio_144	4	IO								
		safe_mode	7									
AB25	NA	uart2_rts	0	O	H	H	7	vdds	Yes	4	PU/ PD	LVC MOS
		mcbasp3_dr	1	I								
		gpt_10_pwm_evt	2	IO								
		gpio_145	4	IO								
		safe_mode	7									
AA25	NA	uart2_tx	0	O	H	H	7	vdds	Yes	4	PU/ PD	LVC MOS
		mcbasp3_clkx	1	IO								
		gpt_11_pwm_evt	2	IO								
		gpio_146	4	IO								
		safe_mode	7									

**Table 2-1. Ball Characteristics (CBP Pkg.)<sup>(3)</sup> (continued)**

BALL BOTTOM [1]	BALL TOP [1]	PIN NAME [2]	MODE [3]	TYPE [4]	BALL RESET STATE [5]	BALL RESET REL. STATE [6]	RESET REL. MODE [7]	POWER [8]	HYS [9]	BUFFER STRENGTH (mA) [10]	PULLUP /DOWN TYPE [11]	IO CELL [12]
AD25	NA	uart2_rx	0	I	H	H	7	vdds	Yes	4	PU/ PD	LVCMOS
		mcbasp3_fsx	1	IO								
		gpt_8_pwm_evt	2	IO								
		gpio_147	4	IO								
		safe_mode	7									
AA8	NA	uart1_tx	0	O	L	L	7	vdds	Yes	4	PU/ PD	LVCMOS
		gpio_148	4	IO								
		safe_mode	7									
AA9	NA	uart1_rts	0	O	L	L	7	vdds	Yes	4	PU/ PD	LVCMOS
		gpio_149	4	IO								
		safe_mode	7									
W8	NA	uart1_cts	0	I	L	L	7	vdds	Yes	4	PU/ PD	LVCMOS
		gpio_150	4	IO								
		safe_mode	7									
Y8	NA	uart1_rx	0	I	L	L	7	vdds	Yes	4	PU/ PD	LVCMOS
		mcbasp1_clkr	2	IO								
		mcspi4_clk	3	IO								
		gpio_151	4	IO								
		safe_mode	7									
AE1	NA	mcbasp4_clkx	0	IO	L	L	7	vdds	Yes	4	PU/ PD	LVCMOS
		gpio_152	4	IO								
		mm3_txse0	6	IO								
		safe_mode	7									
AD1	NA	mcbasp4_dr	0	I	L	L	7	vdds	Yes	4	PU/ PD	LVCMOS
		gpio_153	4	IO								
		mm3_rxrcv	6	IO								
		safe_mode	7									
AD2	NA	mcbasp4_dx	0	IO	L	L	7	vdds	Yes	4	PU/ PD	LVCMOS
		gpio_154	4	IO								
		mm3_txdnt	6	IO								
		safe_mode	7									
AC1	NA	mcbasp4_fsx	0	IO	L	L	7	vdds	Yes	4	PU/ PD	LVCMOS
		gpio_155	4	IO								
		mm3_txen_n	6	IO								
		safe_mode	7									
Y21	NA	mcbasp1_clkr	0	IO	L	L	7	vdds	Yes	4	PU/ PD	LVCMOS
		mcspi4_clk	1	IO								
		gpio_156	4	IO								
		safe_mode	7									
AA21	NA	mcbasp1_fsr	0	IO	L	L	7	vdds	Yes	4	PU/ PD	LVCMOS
		cam_global_reset	2	IO								
		gpio_157	4	IO								
		safe_mode	7									
V21	NA	mcbasp1_dx	0	IO	L	L	7	vdds	Yes	4	PU/ PD	LVCMOS
		mcspi4_simo	1	IO								
		mcbasp3_dx	2	IO								
		gpio_158	4	IO								
		safe_mode	7									
U21	NA	mcbasp1_dr	0	I	L	L	7	vdds	Yes	4	PU/ PD	LVCMOS
		mcspi4_somi	1	IO								
		mcbasp3_dr	2	I								
		gpio_159	4	IO								
		safe_mode	7									
T21	NA	mcbasp_clks	0	I	L	L	7	vdds	Yes	4	PU/ PD	LVCMOS

Table 2-1. Ball Characteristics (CBP Pkg.)<sup>(3)</sup> (continued)

BALL BOTTOM [1]	BALL TOP [1]	PIN NAME [2]	MODE [3]	TYPE [4]	BALL RESET STATE [5]	BALL RESET REL. STATE [6]	RESET REL. MODE [7]	POWER [8]	HYS [9]	BUFFER STRENGTH (mA) [10]	PULLUP /DOWN TYPE [11]	IO CELL [12]
		cam_shutter	2	O								
		gpio_160	4	IO								
		uart1_cts	5	I								
		safe_mode	7									
K26	NA	mcbasp1_fsx	0	IO	L	L	7	vdds	Yes	4	PU/ PD	LVC MOS
		mcspi4_cs0	1	IO								
		mcbasp3_fsx	2	IO								
		gpio_161	4	IO								
		safe_mode	7									
W21	NA	mcbasp1_clkx	0	IO	L	L	7	vdds	Yes	4	PU/ PD	LVC MOS
		mcbasp3_clkx	2	IO								
		gpio_162	4	IO								
		safe_mode	7									
H18	NA	uart3_cts_rctx	0	IO	H	H	7	vdds	Yes	4	PU/ PD	LVC MOS
		gpio_163	4	IO								
		safe_mode	7									
H19	NA	uart3_rts_sd	0	O	H	H	7	vdds	Yes	4	PU/ PD	LVC MOS
		gpio_164	4	IO								
		safe_mode	7									
H20	NA	uart3_rx_irrx	0	I	H	H	7	vdds	Yes	4	PU/ PD	LVC MOS
		gpio_165	4	IO								
		safe_mode	7									
H21	NA	uart3_tx_irtx	0	O	H	H	7	vdds	Yes	4	PU/ PD	LVC MOS
		gpio_166	4	IO								
		safe_mode	7									
T28	NA	hsusb0_clk	0	I	L	L	7	vdds	Yes	8	PU/ PD	LVC MOS
		gpio_120	4	IO								
		safe_mode	7									
T25	NA	hsusb0_stp	0	O	H	H	7	vdds	Yes	4	PU/ PD	LVC MOS
		gpio_121	4	IO								
		safe_mode	7									
R28	NA	hsusb0_dir	0	I	L	L	7	vdds	Yes	4	PU/ PD	LVC MOS
		gpio_122	4	IO								
		safe_mode	7									
T26	NA	hsusb0_nxt	0	I	L	L	7	vdds	Yes	4	PU/ PD	LVC MOS
		gpio_124	4	IO								
		safe_mode	7									
T27	NA	hsusb0_data0	0	IO	L	L	7	vdds	Yes	4	PU/ PD	LVC MOS
		uart3_tx_irtx	2	O								
		gpio_125	4	IO								
		uart2_tx	5	O								
		safe_mode	7									
U28	NA	hsusb0_data1	0	IO	L	L	7	vdds	Yes	4	PU/ PD	LVC MOS
		uart3_rx_irrx	2	I								
		gpio_130	4	IO								
		uart2_rx	5	I								
		safe_mode	7									
U27	NA	hsusb0_data2	0	IO	L	L	7	vdds	Yes	4	PU/ PD	LVC MOS
		uart3_rts_sd	2	O								
		gpio_131	4	IO								
		uart2_rts	5	O								
		safe_mode	7									
U26	NA	hsusb0_data3	0	IO	L	L	7	vdds	Yes	4	PU/ PD	LVC MOS
		uart3_cts_rctx	2	IO								

**Table 2-1. Ball Characteristics (CBP Pkg.)<sup>(3)</sup> (continued)**

BALL BOTTOM [1]	BALL TOP [1]	PIN NAME [2]	MODE [3]	TYPE [4]	BALL RESET STATE [5]	BALL RESET REL. STATE [6]	RESET REL. MODE [7]	POWER [8]	HYS [9]	BUFFER STRENGTH (mA) [10]	PULLUP /DOWN TYPE [11]	IO CELL [12]
		gpio_169	4	IO								
		uart2_cts	5	I								
		safe_mode	7									
U25	NA	hsusb0_data4	0	IO	L	L	7	vdds	Yes	4	PU/ PD	LVC MOS
		gpio_188	4	IO								
		safe_mode	7									
V28	NA	hsusb0_data5	0	IO	L	L	7	vdds	Yes	4	PU/ PD	LVC MOS
		gpio_189	4	IO								
		safe_mode	7									
V27	NA	hsusb0_data6	0	IO	L	L	7	vdds	Yes	4	PU/ PD	LVC MOS
		gpio_190	4	IO								
		safe_mode	7									
V26	NA	hsusb0_data7	0	IO	L	L	7	vdds	Yes	4	PU/ PD	LVC MOS
		gpio_191	4	IO								
		safe_mode	7									
K21	NA	i2c1_scl	0	OD	H	H	0	vdds	NA	3	PU/ PD <sup>(6)(7)</sup>	Open Drain
J21	NA	i2c1_sda	0	IOD	H	H	0	vdds	Yes	3	PU/ PD <sup>(6)(7)</sup>	Open Drain
AF15	NA	i2c2_scl	0	OD	H	H	7	vdds	Yes	3	PU/ PD <sup>(6)(8)</sup>	Open Drain
		gpio_168	4	IO						4		
		safe_mode	7									
AE15	NA	i2c2_sda	0	IOD	H	H	7	vdds	Yes	3	PU/ PD <sup>(6)(8)</sup>	Open Drain
		gpio_183	4	IO						4		
		safe_mode	7									
AF14	NA	i2c3_scl	0	OD	H	H	7	vdds	Yes	3	PU/ PD <sup>(6)(8)</sup>	Open Drain
		gpio_184	4	IO						4		
		safe_mode	7									
AG14	NA	i2c3_sda	0	IOD	H	H	7	vdds	Yes	3	PU/ PD <sup>(6)(8)</sup>	Open Drain
		gpio_185	4	IO						4		
		safe_mode	7									
AD26	NA	i2c4_scl	0	OD	H	H	0	vdds	Yes	3	PU/ PD <sup>(6)(7)</sup>	Open Drain
		sys_nvmode1	1	O						4		
		safe_mode	7									
AE26	NA	i2c4_sda	0	IOD	H	H	0	vdds	Yes	3	PU/ PD <sup>(6)(7)</sup>	Open Drain
		sys_nvmode2	1	O						4		
		safe_mode	7									
J25	NA	hdq_sio	0	IOD	H	H	7	vdds	Yes	4	PU/ PD	LVC MOS
		sys_altclk	1	I								
		i2c2_sccbe	2	OD								
		i2c3_sccbe	3	OD								
		gpio_170	4	IO								
		safe_mode	7									
AB3	NA	mcspi1_clk	0	IO	L	L	7	vdds	Yes	4	PU/ PD	LVC MOS
		mmc2_dat4	1	IO								
		gpio_171	4	IO								
		safe_mode	7									
AB4	NA	mcspi1_simo	0	IO	L	L	7	vdds	Yes	4	PU/ PD	LVC MOS
		mmc2_dat5	1	IO								
		gpio_172	4	IO								
		safe_mode	7									
AA4	NA	mcspi1_somi	0	IO	L	L	7	vdds	Yes	4	PU/ PD	LVC MOS
		mmc2_dat6	1	IO								
		gpio_173	4	IO								
		safe_mode	7									
AC2	NA	mcspi1_cs0	0	IO	H	H	7	vdds	Yes	4	PU/ PD	LVC MOS

Table 2-1. Ball Characteristics (CBP Pkg.)<sup>(3)</sup> (continued)

BALL BOTTOM [1]	BALL TOP [1]	PIN NAME [2]	MODE [3]	TYPE [4]	BALL RESET STATE [5]	BALL RESET REL. STATE [6]	RESET REL. MODE [7]	POWER [8]	HYS [9]	BUFFER STRENGTH (mA) [10]	PULLUP /DOWN TYPE [11]	IO CELL [12]
		mmc2_dat7	1	IO								
		gpio_174	4	IO								
		safe_mode	7									
AC3	NA	mcspi1_cs1	0	O	H	H	7	vdds	Yes	4	PU/ PD	LVC MOS
		mmc3_cmd	3	IO								
		gpio_175	4	IO								
		safe_mode	7									
AB1	NA	mcspi1_cs2	0	O	H	H	7	vdds	Yes	4	PU/ PD	LVC MOS
		mmc3_clk	3	O								
		gpio_176	4	IO								
		safe_mode	7									
AB2	NA	mcspi1_cs3	0	O	H	H	7	vdds	Yes	4	PU/ PD	LVC MOS
		hsusb2_data2	3	IO								
		gpio_177	4	IO								
		mm2_txdat	5	IO								
		safe_mode	7									
AA3	NA	mcspi2_clk	0	IO	L	L	7	vdds	Yes	4	PU/ PD	LVC MOS
		hsusb2_data7	3	IO								
		gpio_178	4	IO								
		safe_mode	7									
Y2	NA	mcspi2_simo	0	IO	L	L	7	vdds	Yes	4	PU/ PD	LVC MOS
		gpt_9_pwm_evt	1	IO								
		hsusb2_data4	3	IO								
		gpio_179	4	IO								
		safe_mode	7									
Y3	NA	mcspi2_somi	0	IO	L	L	7	vdds	Yes	4	PU/ PD	LVC MOS
		gpt_10_pwm_evt	1	IO								
		hsusb2_data5	3	IO								
		gpio_180	4	IO								
		safe_mode	7									
Y4	NA	mcspi2_cs0	0	IO	H	H	7	vdds	Yes	4	PU/ PD	LVC MOS
		gpt_11_pwm_evt	1	IO								
		hsusb2_data6	3	IO								
		gpio_181	4	IO								
		safe_mode	7									
V3	NA	mcspi2_cs1	0	O	L	L	7	vdds	Yes	4	PU/ PD	LVC MOS
		gpt_8_pwm_evt	1	IO								
		hsusb2_data3	3	IO								
		gpio_182	4	IO								
		mm2_txen_n	5	IO								
		safe_mode	7									
AE25	NA	sys_32k	0	I	Z	Z	0	vdds	Yes	NA	PU/ PD	LVC MOS
AE17	NA	sys_xtalin	0	AI	Z	Z	0	vdds	Yes	NA	No	LVC MOS Analog
AF17	NA	sys_xtalout	0	AO	Z	0	0	vdds	NA	NA	NA	LVC MOS Analog
AF25	NA	sys_clkreq	0	IO	0	See <sup>(11)</sup>	0	vdds	Yes	4	PU/ PD	LVC MOS
		gpio_1	4	IO								
		safe_mode	7									
AF26	NA	sys_nirq	0	I	H	H	7	vdds	Yes	4	PU/ PD	LVC MOS
		gpio_0	4	IO								
		safe_mode	7									
AH25	NA	sys_nrespwrn	0	I	Z	Z	0	vdds	Yes	NA	No	LVC MOS
AF24	NA	sys_nreswarm	0	IOD	0	H	0	vdds	Yes	4	PU/ PD	LVC MOS
		gpio_30	4	IO								Open Drain

**Table 2-1. Ball Characteristics (CBP Pkg.)<sup>(3)</sup> (continued)**

BALL BOTTOM [1]	BALL TOP [1]	PIN NAME [2]	MODE [3]	TYPE [4]	BALL RESET STATE [5]	BALL RESET REL. STATE [6]	RESET REL. MODE [7]	POWER [8]	HYS [9]	BUFFER STRENGTH (mA) [10]	PULLUP /DOWN TYPE [11]	IO CELL [12]
		safe_mode	7									
AH26	NA	sys_boot0	0	I	Z	Z	0	vdds	Yes	8	PU/ PD	LVCMOS
		dss_data18	3	IO								
		gpio_2	4	IO								
		safe_mode	7									
AG26	NA	sys_boot1	0	I	Z	Z	0	vdds	Yes	8	PU/ PD	LVCMOS
		dss_data19	3	IO								
		gpio_3	4	IO								
		safe_mode	7									
AE14	NA	sys_boot2	0	I	Z	Z	0	vdds	Yes	8	PU/ PD	LVCMOS
		gpio_4	4	IO								
		safe_mode	7									
AF18	NA	sys_boot3	0	I	Z	Z	0	vdds	Yes	8	PU/ PD	LVCMOS
		dss_data20	3	O								
		gpio_5	4	IO								
		safe_mode	7									
AF19	NA	sys_boot4	0	I	Z	Z	0	vdds	Yes	8	PU/ PD	LVCMOS
		mmc2_dir_dat2	1	O								
		dss_data21	3	O								
		gpio_6	4	IO								
		safe_mode	7									
AE21	NA	sys_boot5	0	I	Z	Z	0	vdds	Yes	8	PU/ PD	LVCMOS
		mmc2_dir_dat3	1	O								
		dss_data22	3	O								
		gpio_7	4	IO								
		safe_mode	7									
AF21	NA	sys_boot6	0	I	Z	Z	0	vdds	Yes	8	PU/ PD	LVCMOS
		dss_data23	3	O								
		gpio_8	4	IO								
		safe_mode	7									
AF22	NA	sys_off_mode	0	O	0	L	7	vdds	Yes	4	PU/ PD	LVCMOS
		gpio_9	4	IO								
		safe_mode	7									
AG25	NA	sys_clkout1	0	O	L	L	7 <sup>(14)</sup>	vdds	Yes	4	PU/ PD	LVCMOS
		gpio_10	4	IO								
		safe_mode	7									
AE22	NA	sys_clkout2	0	O	L	L	7	vdds	Yes	4	PU/ PD	LVCMOS
		gpio_186	4	IO								
		safe_mode	7									
AA17	NA	jtag_nrst	0	I	L	L	0	vdds	Yes	NA	PU/ PD	LVCMOS
AA13	NA	jtag_tck	0	I	L	L	0	vdds	Yes	NA	PU/ PD	LVCMOS
AA12	NA	jtag_rtck	0	O	L	0	0	vdds	NA	4	PU/ PD	LVCMOS
AA18	NA	jtag_tms_tmsc	0	IO	H	H	0	vdds	Yes	4	PU/ PD	LVCMOS
AA20	NA	jtag_tdi	0	I	H	H	0	vdds	Yes	NA	PU/ PD	LVCMOS
AA19	NA	jtag_tdo	0	O	L	Z	0	vdds	NA	4	PU/ PD	LVCMOS
AA11	NA	jtag_emu0	0	IO	H	H	0	vdds	Yes	4	PU/ PD	LVCMOS
		gpio_11	4	IO								
		safe_mode	7									
AA10	NA	jtag_emu1	0	IO	H	H	0	vdds	Yes	4	PU/ PD	LVCMOS
		gpio_31	4	IO								
		safe_mode	7									
AF10	NA	etk_clk	0	O	H	H	4	vdds	Yes	4	PU/ PD	LVCMOS
		mcbsp5_clkx	1	IO								
		mmc3_clk	2	O								

Table 2-1. Ball Characteristics (CBP Pkg.)<sup>(3)</sup> (continued)

BALL BOTTOM [1]	BALL TOP [1]	PIN NAME [2]	MODE [3]	TYPE [4]	BALL RESET STATE [5]	BALL RESET REL. STATE [6]	RESET REL. MODE [7]	POWER [8]	HYS [9]	BUFFER STRENGTH (mA) [10]	PULLUP /DOWN TYPE [11]	IO CELL [12]
		hsusb1_stp	3	O								
		gpio_12	4	IO								
		mm1_rxdp	5	IO								
		hw_dbg0	7	O								
AE10	NA	etk_ctl	0	O	H	H	4	vdds	Yes	4	PU/ PD	LVC MOS
		mmc3_cmd	2	IO								
		hsusb1_clk	3	O								
		gpio_13	4	IO								
		hw_dbg1	7	O								
AF11	NA	etk_d0	0	O	H	H	4	vdds	Yes	4	PU/ PD	LVC MOS
		mcspi3_simo	1	IO								
		mmc3_dat4	2	IO								
		hsusb1_data0	3	IO								
		gpio_14	4	IO								
		mm1_rxcv	5	IO								
		hw_dbg2	7	O								
AG12	NA	etk_d1	0	O	H	H	4	vdds	Yes	4	PU/ PD	LVC MOS
		mcspi3_somi	1	IO								
		hsusb1_data1	3	IO								
		gpio_15	4	IO								
		mm1_txse0	5	IO								
		hw_dbg3	7	O								
AH12	NA	etk_d2	0	O	H	H	4	vdds	Yes	4	PU/ PD	LVC MOS
		mcspi3_cs0	1	IO								
		hsusb1_data2	3	IO								
		gpio_16	4	IO								
		mm1_txdat	5	IO								
		hw_dbg4	7	O								
AE13	NA	etk_d3	0	O	H	H	4	vdds	Yes	4	PU/ PD	LVC MOS
		mcspi3_clk	1	IO								
		mmc3_dat3	2	IO								
		hsusb1_data7	3	IO								
		gpio_17	4	IO								
		hw_dbg5	7	O								
AE11	NA	etk_d4	0	O	L	L	4	vdds	Yes	4	PU/ PD	LVC MOS
		mcbsp5_dr	1	I								
		mmc3_dat0	2	IO								
		hsusb1_data4	3	IO								
		gpio_18	4	IO								
		hw_dbg6	7	O								
AH9	NA	etk_d5	0	O	L	L	4	vdds	Yes	4	PU/ PD	LVC MOS
		mcbsp5_fsx	1	IO								
		mmc3_dat1	2	IO								
		hsusb1_data5	3	IO								
		gpio_19	4	IO								
		hw_dbg7	7	O								
AF13	NA	etk_d6	0	O	L	L	4	vdds	Yes	4	PU/ PD	LVC MOS
		mcbsp5_dx	1	O								
		mmc3_dat2	2	IO								
		hsusb1_data6	3	IO								
		gpio_20	4	IO								
		hw_dbg8	7	O								
AH14	NA	etk_d7	0	O	L	L	4	vdds	Yes	4	PU/ PD	LVC MOS
		mcspi3_cs1	1	O								



**Table 2-1. Ball Characteristics (CBP Pkg.)<sup>(3)</sup> (continued)**

BALL BOTTOM [1]	BALL TOP [1]	PIN NAME [2]	MODE [3]	TYPE [4]	BALL RESET STATE [5]	BALL RESET REL. STATE [6]	RESET REL. MODE [7]	POWER [8]	HYS [9]	BUFFER STRENGTH (mA) [10]	PULLUP /DOWN TYPE [11]	IO CELL [12]
		mmc3_dat7	2	IO								
		hsusb1_data3	3	IO								
		gpio_21	4	IO								
		mm1_txen_n	5	IO								
		hw_dbg9	7	O								
AF9	NA	etk_d8	0	O	L	L	4	vdds	Yes	4	PU/ PD	LVC MOS
		mmc3_dat6	2	IO								
		hsusb1_dir	3	I								
		gpio_22	4	IO								
		hw_dbg10	7	O								
AG9	NA	etk_d9	0	O	L	L	4	vdds	Yes	4	PU/ PD	LVC MOS
		mmc3_dat5	2	IO								
		hsusb1_nxt	3	I								
		gpio_23	4	IO								
		mm1_rxdm	5	IO								
		hw_dbg11	7	O								
AE7	NA	etk_d10	0	O	L	L	4	vdds	Yes	4	PU/ PD	LVC MOS
		uart1_rx	2	I								
		hsusb2_clk	3	O								
		gpio_24	4	IO								
		hw_dbg12	7	O								
AF7	NA	etk_d11	0	O	L	L	4	vdds	Yes	4	PU/ PD	LVC MOS
		hsusb2_stp	3	O								
		gpio_25	4	IO								
		mm2_rxdp	5	IO								
		hw_dbg13	7	O								
AG7	NA	etk_d12	0	O	L	L	4	vdds	Yes	4	PU/ PD	LVC MOS
		hsusb2_dir	3	I								
		gpio_26	4	IO								
		hw_dbg14	7	O								
AH7	NA	etk_d13	0	O	L	L	4	vdds	Yes	4	PU/ PD	LVC MOS
		hsusb2_nxt	3	I								
		gpio_27	4	IO								
		mm2_rxdm	5	IO								
		hw_dbg15	7	O								
AG8	NA	etk_d14	0	O	L	L	4	vdds	Yes	4	PU/ PD	LVC MOS
		hsusb2_data0	3	IO								
		gpio_28	4	IO								
		mm2_rxcv	5	IO								
		hw_dbg16	7	O								
AH8	NA	etk_d15	0	O	L	L	4	vdds	Yes	4	PU/ PD	LVC MOS
		hsusb2_data1	3	IO								
		gpio_29	4	IO								
		mm2_txse0	5	IO								
		hw_dbg17	7	O								
AH21	NA	vss	0	GND	-	-	-	-	-	-	-	-
AG16	NA	vss	0	GND	-	-	-	-	-	-	-	-
M28	NA	vss	0	GND	-	-	-	-	-	-	-	-
AH20	NA	cap_vddu_array	0	PWR	-	-	-	-	-	-	-	-
AG20	NA	vdds	0	PWR	-	-	-	-	-	-	-	-
AG21	NA	vdds	0	PWR	-	-	-	-	-	-	-	-
H28	NA	vdds	0	PWR	-	-	-	-	-	-	-	-
P25	NA	vdds_x	0	PWR	-	-	-	-	-	-	-	-

Table 2-1. Ball Characteristics (CBP Pkg.)<sup>(3)</sup> (continued)

BALL BOTTOM [1]	BALL TOP [1]	PIN NAME [2]	MODE [3]	TYPE [4]	BALL RESET STATE [5]	BALL RESET REL. STATE [6]	RESET REL. MODE [7]	POWER [8]	HYS [9]	BUFFER STRENGTH (mA) [10]	PULLUP /DOWN TYPE [11]	IO CELL [12]
AE9, AE18, AE19, AE24, AC4, Y16, Y18, Y19, Y20, W18, W20, V20, U19, U20, T19, P20, N19, N20, M19, M25, L25, K18, K20, J4, J18, J19, J20, H4, E25, D8, D9, D15, D22, D23	NA	vdd_core	0	PWR	-	-	-	-	-	-	-	-
Y9, Y10, Y11, Y14, Y15, W9, W11, W12, W15, U10, T9, T10, R9, R10, N10, M9, M10, L9, L10, K11, K14, K13, J9, J10, J11, J14, J15	NA	vdd_mpu_iva	0	PWR	-	-	-	-	-	-	-	-
AH6, U1, R4, J1, J2, G28, F1, F2, D16, C16, C28, B5, B8, B12, B18, B22, A5, A8, A12, A18, A22	AC5, P1, H1, F23, E1, C23, A4, A7, A10, A15, A18	vdds_mem	0	PWR	-	-	-	-	-	-	-	-
AG27, AF8, AF16, AF23, AE8, AE16, AE23, AD3, AD4, W4, F25, F26	NA	vdds	0	PWR	-	-	-	-	-	-	-	-
W16	NA	vdds_sram	0	PWR	-	-	-	-	-	-	-	-
K15	NA	vdda_dpils_dll	0	PWR	-	-	-	-	-	-	-	-
AA16	NA	vdda_dpil_per	0	PWR	-	-	-	-	-	-	-	-
AA14	NA	vdda_wkup_bg_bb	0	PWR	-	-	-	-	-	-	-	-
K25	NA	vdds_mmc1	0	PWR	-	-	-	-	-	-	-	-
V25	NA	vdda_dac	0	PWR	-	-	-	-	-	-	-	-
Y26	NA	vssa_dac	0	GND	-	-	-	-	-	-	-	-

**Table 2-1. Ball Characteristics (CBP Pkg.)<sup>(3)</sup> (continued)**

BALL BOTTOM [1]	BALL TOP [1]	PIN NAME [2]	MODE [3]	TYPE [4]	BALL RESET STATE [5]	BALL RESET REL. STATE [6]	RESET REL. MODE [7]	POWER [8]	HYS [9]	BUFFER STRENGTH (mA) [10]	PULLUP /DOWN TYPE [11]	IO CELL [12]
AG2, AG3, AG6, AF12, AF20, AE12, AE20, AC25, AC26, Y12, Y13, Y25, W3, W10, W13, W14, W17, W19, W25, V9, V10, V19, U2, U9, T20, R19, R20, R26, P3, P4, P9, P10, P19, N9, M20, L19, L20, L26, K9, K10, K12, K16, K17, K19, J3, J12, J13, J16, J17, G27, E3, E4, D7, D10, D13, D19, D21, C7, C10, C13, C19, C22, B2, B27, A3, A26	B4, B7, B10, B15, B18, C22, E2, F22, H2, P2, AB5, AB14, AB20	vss	0	GND	-	-	-	-	-	-	-	-
AA15	NA	cap_vddu_wkup_logic	0	PWR	-	-	-	-	-	-	-	-
AH10, AH11, AH13, AH15, AH16, AG11, AG13, AF1, AF28, AE28, AA1, N1, M1, J28, A15, M2, N2, A1, A2, A27, A28, AG1, AG28, AH1, AH2, AH27, AH28, B1, B28, AA2, AF2, AF27, AG10, AG15, B15, J27, M26	A12, AA1, AA23, AB11, AB9, AC11, AC13, AC14, AC8, AC9, H23, K1, L1, U1, Y23, A1, A2, A22, A23, AB1, AB23, AC1, AC2, AC22, AC23, B1, B23, AA2, U2, AA22, AB8, AB13, B12, H22, K2, K22, L2	Feed-Through Pins <sup>(9)</sup>	-	-	-	-	-	-	-	-	-	-

**Table 2-1. Ball Characteristics (CBP Pkg.)<sup>(3)</sup> (continued)**

BALL BOTTOM [1]	BALL TOP [1]	PIN NAME [2]	MODE [3]	TYPE [4]	BALL RESET STATE [5]	BALL RESET REL. STATE [6]	RESET REL. MODE [7]	POWER [8]	HYS [9]	BUFFER STRENGTH (mA) [10]	PULLUP /DOWN TYPE [11]	IO CELL [12]
G1, A13, A14, A16, A17, B14, B16, B17, C14, C15, C17, D17, D18, H9, H10, H11, H12, H13, H14, H15, H16, H17, A4, A6, A7, A9, A10, A11, A19, A20, A21, B3, B4, B6, B7, B9, B10, B11, B13, B19, B20, B21, C1, C2, C3, C4, C5, C6, C8, C9, C11, C12, C18, C20, C21, D1, D2, D3, D4, D5, D6, D11, D12, D14, D20, E1, E2, AA26, AE27	AB2, AB22, B2, B22	No Connect <sup>(2)</sup>	-	-								
Y17	NA	sys_xtalgn	0	GND								
U4	NA	cap_vdd_bb_mpu_iva	0	PWR								
V4	NA	cap_vdd_sram_mpu_iva	0	PWR								
L21	NA	cap_vdd_sram_core	0	PWR								

(1) The usage of this GPIO is strongly restricted. For more information, see the GPIO chapter of the *AM/DM37x Multimedia Device Technical Reference Manual* (literature number [SPRUGN4](#)).

(2) Pins labeled as "No connect" must be left unconnected. Any connections to these pins may result in unpredictable behavior.

(3) NA in this table stands for "Not Applicable".

(4) The drive strength is fixed regardless of the load. The driver is designed to drive 75-ohm for video applications.

(5) PU = [50 to 100 kΩ] per default or [10 to 50 kΩ] according to the selected mode.

For a full description of the pull-up drive strength programming, see the PRG\_SDMMC\_PUSTRENGTH configuration register bit field in the System Control Module chapter of the *AM/DM37x Multimedia Device Technical Reference Manual* (literature number [SPRUGN4](#)). PD: 30 to 150 kΩ.

(6) The pullup and pulldown can be either the standard LVCMOS 100-μA drive strength or the I2C pullup and pulldown described below: Nominal resistance = 1.66 kΩ in high-speed mode with a load range of 5 pF to 12 pF, 4.5 kΩ in standard / fast mode with a load range of 5 pF to 15 pF.

(7) The default buffer configuration is High-Speed I2C point-to-point mode using internal pullup. For a full description of the pull drive strength programming, see prg\_i2c1\_pullupresx, prg\_i2c1\_lb1b0, and prg\_sr\_pullupresx, prg\_sr\_lb bits of the CONTROL\_PROG\_IO1, CONTROL\_PROG\_IO\_WKUP1 control modules in the System Control Module / SCM Programming Model / Feature Settings section and the System Control Module chapter of the *AM/DM37x Multimedia Device Technical Reference Manual* (literature number [SPRUGN4](#)) to modify the IO settings if required by the targeted interface application.

(8) The default buffer configuration is standard LVCMOS mode (non-I2C). For a full description of the pull drive strength programming, see PADCONF bits of CONTROL\_PADCONF\_X control modules (standard LVCMOS mode), or prg\_i2c2\_pullupresx, prg\_i2c2\_lb1b0, and prg\_i2c3\_pullupresx, prg\_i2c3\_lb1b0 bits of the CONTROL\_PROG\_IO2, CONTROL\_PROG\_IO3 control modules (I2C mode) in the System Control Module chapter of the *AM/DM37x Multimedia Device Technical Reference Manual* (literature number [SPRUGN4](#)) to modify the IO settings if required by the targeted interface application.

(9) These signals are feed-through balls. For more information, see [Table 2-28](#).

(10) In buffer mode, the drive strength is fixed regardless of the load. The driver is designed to drive 75Ω for video applications. In bypass mode, the drive strength is 0.47 mA.

(11) Depending on the sys\_clkreq direction the corresponding reset released state value can be:

- Z if sys\_clkreq is used as input
- 1 if sys\_clkreq is used as output

For a full description of the sys\_clkreq control, see Power, Reset, and Clock Management chapter of the *AM/DM37x Multimedia Device Technical Reference Manual* (literature number [SPRUGN4](#)).

(12) The drive strength of these IOs is set according to the programmable load range: 2 pF to 4 pF per default or 4 pF to 12 pF. For a full description of the drive strength programming, see the System Control Module chapter of the *AM/DM37x Multimedia Device Technical*

Reference Manual (literature number [SPRUGN4](#)).

(13) In the safe\_mode\_out1, the buffer is configured to drive 1.

(14) Mux0 if sys\_boot6 is pulled down (clock master).

(15) If MMC1 functional signals are enabled, vdds\_mmc1 for MMC1 must be supplied by a dedicated power source.

If MMC1 functional signals are disabled, other multiplexed CMOS signals of the interface can be enabled. The interface can be supplied by the same power source as vdds. The vdds power source supplies the vdds\_mmc1 ball.

If neither MMC1 functional balls or CMOS signals are enabled, the interface balls are left unconnected with its associated power supply (vdda/vssa) grounded.

For the corresponding setting of the PBIASLITEPWRDNZ0 bit, see the System Control Module / SCM Programming Model / Extended-Drain I/Os and PBIAS Cells Programming Guide section of the *AM/DM37x Multimedia Device Technical Reference Manual* (literature number [SPRUGN4](#)).

**Table 2-2. Ball Characteristics (CBC Pkg.)<sup>(5)</sup>**

BALL BOTTOM [1]	BALL TOP [1]	PIN NAME [2]	MODE [3]	TYPE [4]	BALL RESET STATE [5]	BALL RESET REL. STATE [6]	RESET REL. MODE [7]	POWER [8]	HYS [9]	BUFFER STRENGTH (mA) [10]	PULLUP /DOWN TYPE [11]	IO CELL [12]
AE16	NA	cam_d0	0	I	L	L	7	vdda	Yes	NA	PU/ PD	LVC MOS
		gpio_99	4	I								
		safe_mode	7	-								
AE15	NA	cam_d1	0	I	L	L	7	vdda	Yes	NA	PU/ PD	LVC MOS
		gpio_100	4	I								
		safe_mode	7	-								
AD17	NA	gpio_112	4	I	L	L	7	vdda	Yes	NA	PU/ PD	LVC MOS
		safe_mode	7	-								
AE18	NA	gpio_114	4	I	L	L	7	vdda	Yes	NA	PU/ PD	LVC MOS
		safe_mode	7	-								
AD16	NA	gpio_113	4	I	L	L	7	vdda	Yes	NA	PU/ PD	LVC MOS
		safe_mode	7	-								
AE17	NA	gpio_115	4	I								
		safe_mode	7	-	L	L	7	vdda	Yes	NA	PU/ PD	LVC MOS
NA	G20	sdrc_a0	0	O	0	0	0	vdds	NA	4 <sup>(1)</sup>	PU/ PD	LVC MOS
NA	K20	sdrc_a1	0	O	0	0	0	vdds	NA	4 <sup>(1)</sup>	PU/ PD	LVC MOS
NA	J20	sdrc_a2	0	O	0	0	0	vdds	NA	4 <sup>(1)</sup>	PU/ PD	LVC MOS
NA	J21	sdrc_a3	0	O	0	0	0	vdds	NA	4 <sup>(1)</sup>	PU/ PD	LVC MOS
NA	U21	sdrc_a4	0	O	0	0	0	vdds	NA	4 <sup>(1)</sup>	PU/ PD	LVC MOS
NA	R20	sdrc_a5	0	O	0	0	0	vdds	NA	4 <sup>(1)</sup>	PU/ PD	LVC MOS
NA	M21	sdrc_a6	0	O	0	0	0	vdds	NA	4 <sup>(1)</sup>	PU/ PD	LVC MOS
NA	M20	sdrc_a7	0	O	0	0	0	vdds	NA	4 <sup>(1)</sup>	PU/ PD	LVC MOS
NA	N20	sdrc_a8	0	O	0	0	0	vdds	NA	4 <sup>(1)</sup>	PU/ PD	LVC MOS
NA	K21	sdrc_a9	0	O	0	0	0	vdds	NA	4 <sup>(1)</sup>	PU/ PD	LVC MOS
NA	Y16	sdrc_a10	0	O	0	0	0	vdds	NA	4 <sup>(1)</sup>	PU/ PD	LVC MOS
NA	N21	sdrc_a11	0	O	0	0	0	vdds	NA	4 <sup>(1)</sup>	PU/ PD	LVC MOS
NA	R21	sdrc_a12	0	O	0	0	0	vdds	NA	4 <sup>(1)</sup>	PU/ PD	LVC MOS
NA	AA15	sdrc_a13	0	O	0	0	0	vdds	NA	4 <sup>(1)</sup>	PU/ PD	LVC MOS
NA	Y12	sdrc_a14	0	O	0	0	0	vdds	NA	4 <sup>(1)</sup>	PU/ PD	LVC MOS
NA	AA18	sdrc_ba0	0	O	0	0	0	vdds	NA	4 <sup>(1)</sup>	PU/ PD	LVC MOS
NA	V20	sdrc_ba1	0	O	0	0	0	vdds	NA	4 <sup>(1)</sup>	PU/ PD	LVC MOS
NA	Y15	sdrc_cke0	0	O	H	1	7	vdds	NA	4 <sup>(1)</sup>	PU/ PD	LVC MOS
		safe_mode_out1 <sup>(6)</sup>	7									
NA	Y13	sdrc_cke1	0	O	H	1	7	vdds	NA	4 <sup>(1)</sup>	PU/ PD	LVC MOS
		safe_mode_out1 <sup>(6)</sup>	7									
NA	A12	sdrc_clk	0	IO	L	0	0	vdds	Yes	4 <sup>(1)</sup>	PU/ PD	LVC MOS
NA	D1	sdrc_d0	0	IO	L	Z	0	vdds	Yes	4 <sup>(1)</sup>	PU/ PD	LVC MOS
NA	G1	sdrc_d1	0	IO	L	Z	0	vdds	Yes	4 <sup>(1)</sup>	PU/ PD	LVC MOS
NA	G2	sdrc_d2	0	IO	L	Z	0	vdds	Yes	4 <sup>(1)</sup>	PU/ PD	LVC MOS
NA	E1	sdrc_d3	0	IO	L	Z	0	vdds	Yes	4 <sup>(1)</sup>	PU/ PD	LVC MOS
NA	D2	sdrc_d4	0	IO	L	Z	0	vdds	Yes	4 <sup>(1)</sup>	PU/ PD	LVC MOS
NA	E2	sdrc_d5	0	IO	L	Z	0	vdds	Yes	4 <sup>(1)</sup>	PU/ PD	LVC MOS
NA	B3	sdrc_d6	0	IO	L	Z	0	vdds	Yes	4 <sup>(1)</sup>	PU/ PD	LVC MOS

Table 2-2. Ball Characteristics (CBC Pkg.)<sup>(5)</sup> (continued)

BALL BOTTOM [1]	BALL TOP [1]	PIN NAME [2]	MODE [3]	TYPE [4]	BALL RESET STATE [5]	BALL RESET REL. STATE [6]	RESET REL. MODE [7]	POWER [8]	HYS [9]	BUFFER STRENGTH (mA) [10]	PULLUP /DOWN TYPE [11]	IO CELL [12]
NA	B4	sdrc_d7	0	IO	L	Z	0	vdds	Yes	4 <sup>(1)</sup>	PU/ PD	LVC MOS
NA	A10	sdrc_d8	0	IO	L	Z	0	vdds	Yes	4 <sup>(1)</sup>	PU/ PD	LVC MOS
NA	B11	sdrc_d9	0	IO	L	Z	0	vdds	Yes	4 <sup>(1)</sup>	PU/ PD	LVC MOS
NA	A11	sdrc_d10	0	IO	L	Z	0	vdds	Yes	4 <sup>(1)</sup>	PU/ PD	LVC MOS
NA	B12	sdrc_d11	0	IO	L	Z	0	vdds	Yes	4 <sup>(1)</sup>	PU/ PD	LVC MOS
NA	A16	sdrc_d12	0	IO	L	Z	0	vdds	Yes	4 <sup>(1)</sup>	PU/ PD	LVC MOS
NA	A17	sdrc_d13	0	IO	L	Z	0	vdds	Yes	4 <sup>(1)</sup>	PU/ PD	LVC MOS
NA	B17	sdrc_d14	0	IO	L	Z	0	vdds	Yes	4 <sup>(1)</sup>	PU/ PD	LVC MOS
NA	B18	sdrc_d15	0	IO	L	Z	0	vdds	Yes	4 <sup>(1)</sup>	PU/ PD	LVC MOS
NA	B7	sdrc_d16	0	IO	L	Z	0	vdds	Yes	4 <sup>(1)</sup>	PU/ PD	LVC MOS
NA	A5	sdrc_d17	0	IO	L	Z	0	vdds	Yes	4 <sup>(1)</sup>	PU/ PD	LVC MOS
NA	B6	sdrc_d18	0	IO	L	Z	0	vdds	Yes	4 <sup>(1)</sup>	PU/ PD	LVC MOS
NA	A6	sdrc_d19	0	IO	L	Z	0	vdds	Yes	4 <sup>(1)</sup>	PU/ PD	LVC MOS
NA	A8	sdrc_d20	0	IO	L	Z	0	vdds	Yes	4 <sup>(1)</sup>	PU/ PD	LVC MOS
NA	B9	sdrc_d21	0	IO	L	Z	0	vdds	Yes	4 <sup>(1)</sup>	PU/ PD	LVC MOS
NA	A9	sdrc_d22	0	IO	L	Z	0	vdds	Yes	4 <sup>(1)</sup>	PU/ PD	LVC MOS
NA	B10	sdrc_d23	0	IO	L	Z	0	vdds	Yes	4 <sup>(1)</sup>	PU/ PD	LVC MOS
NA	C21	sdrc_d24	0	IO	L	Z	0	vdds	Yes	4 <sup>(1)</sup>	PU/ PD	LVC MOS
NA	D20	sdrc_d25	0	IO	L	Z	0	vdds	Yes	4 <sup>(1)</sup>	PU/ PD	LVC MOS
NA	B19	sdrc_d26	0	IO	L	Z	0	vdds	Yes	4 <sup>(1)</sup>	PU/ PD	LVC MOS
NA	C20	sdrc_d27	0	IO	L	Z	0	vdds	Yes	4 <sup>(1)</sup>	PU/ PD	LVC MOS
NA	D21	sdrc_d28	0	IO	L	Z	0	vdds	Yes	4 <sup>(1)</sup>	PU/ PD	LVC MOS
NA	E20	sdrc_d29	0	IO	L	Z	0	vdds	Yes	4 <sup>(1)</sup>	PU/ PD	LVC MOS
NA	E21	sdrc_d30	0	IO	L	Z	0	vdds	Yes	4 <sup>(1)</sup>	PU/ PD	LVC MOS
NA	G21	sdrc_d31	0	IO	L	Z	0	vdds	Yes	4 <sup>(1)</sup>	PU/ PD	LVC MOS
NA	H1	sdrc_dm0	0	O	0	0	0	vdds	NA	4 <sup>(1)</sup>	PU/ PD	LVC MOS
NA	A14	sdrc_dm1	0	O	0	0	0	vdds	NA	4 <sup>(1)</sup>	PU/ PD	LVC MOS
NA	A4	sdrc_dm2	0	O	0	0	0	vdds	NA	4 <sup>(1)</sup>	PU/ PD	LVC MOS
NA	A18	sdrc_dm3	0	O	0	0	0	vdds	NA	4 <sup>(1)</sup>	PU/ PD	LVC MOS
NA	C2	sdrc_dqs0	0	IO	L	Z	0	vdds	Yes	4 <sup>(1)</sup>	PU/ PD	LVC MOS
NA	B15	sdrc_dqs1	0	IO	L	Z	0	vdds	Yes	4 <sup>(1)</sup>	PU/ PD	LVC MOS
NA	B8	sdrc_dqs2	0	IO	L	Z	0	vdds	Yes	4 <sup>(1)</sup>	PU/ PD	LVC MOS
NA	A19	sdrc_dqs3	0	IO	L	Z	0	vdds	Yes	4 <sup>(1)</sup>	PU/ PD	LVC MOS
NA	U20	sdrc_ncas	0	O	1	1	0	vdds	NA	4 <sup>(1)</sup>	PU/ PD	LVC MOS
NA	B13	sdrc_nclk	0	O	1	1	0	vdds	NA	4 <sup>(1)</sup>	PU/ PD	LVC MOS
NA	T21	sdrc_ncs0	0	O	1	1	0	vdds	NA	4 <sup>(1)</sup>	PU/ PD	LVC MOS
NA	T20	sdrc_ncs1	0	O	1	1	0	vdds	NA	4 <sup>(1)</sup>	PU/ PD	LVC MOS
NA	V21	sdrc_nras	0	O	1	1	0	vdds	NA	4 <sup>(1)</sup>	PU/ PD	LVC MOS
NA	Y18	sdrc_nwe	0	O	1	1	0	vdds	NA	4 <sup>(1)</sup>	PU/ PD	LVC MOS
AE21	NA	dss_data0	0	IO	L	L	7	vdda	Yes	8	PU/ PD	LVC MOS
		uart1_cts	2	I						NA		
		gpio_70	4	IO						8		
		safe_mode	7	-						8		
AE22	NA	dss_data1	0	IO	L	L	7	vdda	Yes	8	PU/ PD	LVC MOS
		uart1_rts	2	O						8		
		gpio_71	4	IO						8		
		safe_mode	7	-						8		
AE23	NA	dss_data2	0	IO	L	L	7	vdda	Yes	8	PU/ PD	LVC MOS
		gpio_72	4	IO						8		
		safe_mode	7	-						8		
AE24	NA	dss_data3	0	IO	L	L	7	vdda	Yes	8	PU/ PD	LVC MOS
		gpio_73	4	IO						8		
		safe_mode	7	-						8		
AD23	NA	dss_data4	0	IO	L	L	7	vdda	Yes	8	PU/ PD	LVC MOS
		uart3_rx_irrx	2	I						NA		

**Table 2-2. Ball Characteristics (CBC Pkg.)<sup>(5)</sup> (continued)**

BALL BOTTOM [1]	BALL TOP [1]	PIN NAME [2]	MODE [3]	TYPE [4]	BALL RESET STATE [5]	BALL RESET REL. STATE [6]	RESET REL. MODE [7]	POWER [8]	HYS [9]	BUFFER STRENGTH (mA) [10]	PULLUP /DOWN TYPE [11]	IO CELL [12]
		gpio_74	4	IO						8		
		safe_mode	7	-						8		
AD24	NA	dss_data5	0	IO	L	L	7	vdda	Yes	8	PU/ PD	LVC MOS
		uart3_tx_irtx	2	O						8		
		gpio_75	4	IO						8		
		safe_mode	7	-						8		
AC26	NA	dss_data10	0	IO	L	L	7	vdds	Yes	8	PU/ PD	LVC MOS
		gpio_80	4	IO								
		safe_mode	7	-								
AD26	NA	dss_data11	0	IO	L	L	7	vdds	Yes	8	PU/ PD	LVC MOS
		gpio_81	4	IO								
		safe_mode	7	-								
AA25	NA	dss_data12	0	IO	L	L	7	vdds	Yes	8	PU/ PD	LVC MOS
		gpio_82	4	IO								
		safe_mode	7	-								
Y25	NA	dss_data13	0	IO	L	L	7	vdds	Yes	8	PU/ PD	LVC MOS
		gpio_83	4	IO								
		safe_mode	7	-								
AA26	NA	dss_data14	0	IO	L	L	7	vdds	Yes	8	PU/ PD	LVC MOS
		gpio_84	4	IO								
		safe_mode	7	-								
AB26	NA	dss_data15	0	IO	L	L	7	vdds	Yes	8	PU/ PD	LVC MOS
		gpio_85	4	IO								
		safe_mode	7	-								
F25	NA	dss_data20	0	O	H	H	7	vdds	Yes	8	PU/ PD	LVC MOS
		mcspi3_somi	2	IO								
		dss_data2	3	IO								
		gpio_90	4	IO								
		safe_mode	7	-								
AC25	NA	dss_data22	0	O	L	L	7	vdds	Yes	8	PU/ PD	LVC MOS
		mcspi3_cs1	2	O								
		dss_data4	3	IO								
		gpio_92	4	IO								
		safe_mode	7	-								
AB25	NA	dss_data23	0	O	L	L	7	vdds	Yes	8	PU/ PD	LVC MOS
		dss_data5	3	IO								
		gpio_93	4	IO								
		safe_mode	7	-								
G25	NA	dss_pclk	0	O	H	H	7	vdds	Yes	8	PU/ PD	LVC MOS
		gpio_66	4	IO								
		hw_dbg12	5	O								
		safe_mode	7	-								
J2	NA	gpmc_a1	0	O	L	L	7	vdds	Yes	8	PU/ PD	LVC MOS
		gpio_34	4	IO								
		safe_mode	7	-								
H1	NA	gpmc_a2	0	O	L	L	7	vdds	Yes	8	PU/ PD	LVC MOS
		gpio_35	4	IO								
		safe_mode	7	-								
H2	NA	gpmc_a3	0	O	L	L	7	vdds	Yes	8	PU/ PD	LVC MOS
		gpio_36	4	IO								
		safe_mode	7	-								
G2	NA	gpmc_a4	0	O	L	L	7	vdds	Yes	8	PU/ PD	LVC MOS
		gpio_37	4	IO								
		safe_mode	7	-								
F1	NA	gpmc_a5	0	O	L	L	7	vdds	Yes	8	PU/ PD	LVC MOS

**Table 2-2. Ball Characteristics (CBC Pkg.)<sup>(5)</sup> (continued)**

BALL BOTTOM [1]	BALL TOP [1]	PIN NAME [2]	MODE [3]	TYPE [4]	BALL RESET STATE [5]	BALL RESET REL. STATE [6]	RESET REL. MODE [7]	POWER [8]	HYS [9]	BUFFER STRENGTH (mA) [10]	PULLUP /DOWN TYPE [11]	IO CELL [12]
		gpio_38	4	IO								
		safe_mode	7	-								
F2	NA	gpmc_a6	0	O	H	H	7	vdds	Yes	8	PU/ PD	LVC MOS
		gpio_39	4	IO								
		safe_mode	7	-								
E1	NA	gpmc_a7	0	O	H	H	7	vdds	Yes	8	PU/ PD	LVC MOS
		gpio_40	4	IO								
		safe_mode	7	-								
E2	NA	gpmc_a8	0	O	H	H	7	vdds	Yes	8	PU/ PD	LVC MOS
		gpio_41	4	IO								
		safe_mode	7	-								
D1	NA	gpmc_a9	0	O	H	H	7	vdds	Yes	8	PU/ PD	LVC MOS
		sys_ndmareq2	1	I								
		gpio_42	4	IO								
		safe_mode	7	-								
D2	NA	gpmc_a10	0	O	H	H	7	vdds	Yes	8	PU/ PD	LVC MOS
		sys_ndmareq3	1	I								
		gpio_43	4	IO								
		safe_mode	7	-								
N1	L1	gpmc_clk	0	O	L	0	0	vdds	Yes	8	PU/ PD	LVC MOS
		gpio_59	4	IO								
		safe_mode	7	-								
AA2	U2	gpmc_d0	0	IO	H	H	0	vdds	Yes	8	PU/ PD	LVC MOS
AA1	U1	gpmc_d1	0	IO	H	H	0	vdds	Yes	8	PU/ PD	LVC MOS
AC2	V2	gpmc_d2	0	IO	H	H	0	vdds	Yes	8	PU/ PD	LVC MOS
AC1	V1	gpmc_d3	0	IO	H	H	0	vdds	Yes	8	PU/ PD	LVC MOS
AE5	AA3	gpmc_d4	0	IO	H	H	0	vdds	Yes	8	PU/ PD	LVC MOS
AD6	AA4	gpmc_d5	0	IO	H	H	0	vdds	Yes	8	PU/ PD	LVC MOS
AD5	Y3	gpmc_d6	0	IO	H	H	0	vdds	Yes	8	PU/ PD	LVC MOS
AC5	Y4	gpmc_d7	0	IO	H	H	0	vdds	Yes	8	PU/ PD	LVC MOS
V1	R1	gpmc_d8	0	IO	H	H	0	vdds	Yes	8	PU/ PD	LVC MOS
		gpio_44	4	IO								
		safe_mode	7	-								
Y1	T1	gpmc_d9	0	IO	H	H	0	vdds	Yes	8	PU/ PD	LVC MOS
		gpio_45	4	IO								
		safe_mode	7	-								
T1	N1	gpmc_d10	0	IO	H	H	0	vdds	Yes	8	PU/ PD	LVC MOS
		gpio_46	4	IO								
		safe_mode	7	-								
U2	P2	gpmc_d11	0	IO	H	H	0	vdds	Yes	8	PU/ PD	LVC MOS
		gpio_47	4	IO								
		safe_mode	7	-								
U1	P1	gpmc_d12	0	IO	H	H	0	vdds	Yes	8	PU/ PD	LVC MOS
		gpio_48	4	IO								
		safe_mode	7	-								
P1	M1	gpmc_d13	0	IO	H	H	0	vdds	Yes	8	PU/ PD	LVC MOS
		gpio_49	4	IO								
		safe_mode	7	-								
L2	J2	gpmc_d14	0	IO	H	H	0	vdds	Yes	8	PU/ PD	LVC MOS
		gpio_50	4	IO								
		safe_mode	7	-								
M2	K2	gpmc_d15	0	IO	H	H	0	vdds	Yes	8	PU/ PD	LVC MOS
		gpio_51	4	IO								
		safe_mode	7	-								
AD10	AA9	gpmc_nadv_ale	0	O	0	0	0	vdds	NA	8	NA	LVC MOS



**Table 2-2. Ball Characteristics (CBC Pkg.)<sup>(5)</sup> (continued)**

BALL BOTTOM [1]	BALL TOP [1]	PIN NAME [2]	MODE [3]	TYPE [4]	BALL RESET STATE [5]	BALL RESET REL. STATE [6]	RESET REL. MODE [7]	POWER [8]	HYS [9]	BUFFER STRENGTH (mA) [10]	PULLUP /DOWN TYPE [11]	IO CELL [12]
K2	NA	gpmc_nbe0_cle	0	O	L	0	0	vdds	Yes	8	PU/ PD	LVCMOS
		gpio_60	4	IO								
		safe_mode	7	-								
J1	NA	gpmc_nbe1	0	O	L	L	7	vdds	Yes	8	PU/ PD	LVCMOS
		gpio_61	4	IO								
		safe_mode	7	-								
AD8	AA8	gpmc_ncs0	0	O	1	1	0	vdds	NA	8	NA	LVCMOS
AD1	W1	gpmc_ncs1	0	O	H	1	0	vdds	Yes	8	PU/ PD	LVCMOS
		gpio_52	4	IO								
		safe_mode	7	-								
A3	NA	gpmc_ncs2	0	O	H	H	7	vdds	Yes	8	PU/ PD	LVCMOS
		gpio_53	4	IO								
		safe_mode	7	-								
B6	NA	gpmc_ncs3	0	O	H	H	7	vdds	Yes	8	PU/ PD	LVCMOS
		sys_ndmareq0	1	I								
		gpio_54	4	IO								
		safe_mode	7	-								
B4	NA	gpmc_ncs4	0	O	H	H	7	vdds	Yes	8	PU/ PD	LVCMOS
		sys_ndmareq1	1	I								
		mcbasp4_clkx	2	IO								
		gpt_9_pwm_evt	3	IO								
		gpio_55	4	IO								
		safe_mode	7	-								
C4	NA	gpmc_ncs5	0	O	H	H	7	vdds	Yes	8	PU/ PD	LVCMOS
		sys_ndmareq2	1	I								
		mcbasp4_dr	2	I								
		gpt_10_pwm_evt	3	IO								
		gpio_56	4	IO								
		safe_mode	7	-								
B5	NA	gpmc_ncs6	0	O	H	H	7	vdds	Yes	8	PU/ PD	LVCMOS
		sys_ndmareq3	1	I								
		mcbasp4_dx	2	IO								
		gpt_11_pwm_evt	3	IO								
		gpio_57	4	IO								
		safe_mode	7	-								
C5	NA	gpmc_ncs7	0	O	H	H	7	vdds	Yes	8	PU/ PD	LVCMOS
		gpmc_io_dir	1	O								
		mcbasp4_fsx	2	IO								
		gpt_8_pwm_evt	3	IO								
		gpio_58	4	IO								
		safe_mode	7	-								
N2	L2	gpmc_noe	0	O	1	1	0	vdds	NA	8	NA	LVCMOS
M1	K1	gpmc_nwe	0	O	1	1	0	vdds	NA	8	NA	LVCMOS
AC6	Y5	gpmc_nwp	0	O	L	0	0	vdds	Yes	8	PU/ PD	LVCMOS
		gpio_62	4	IO								
		safe_mode	7	-								
AC11	Y10	gpmc_wait0	0	I	H	H	0	vdds	Yes	NA	PU/ PD	LVCMOS
AC8	Y8	gpmc_wait1	0	I	H	H	7	vdds	Yes	8	PU/ PD	LVCMOS
		gpio_63	4	IO								
		safe_mode	7	-								
B3	NA	gpmc_wait2	0	I	H	H	7	vdds	Yes	8	PU/ PD	LVCMOS
		uart4_tx	2	O								
		gpio_64	4	IO								
		safe_mode	7	-								
C6	NA	gpmc_wait3	0	I	H	H	7	vdds	Yes	8	PU/ PD	LVCMOS

**Table 2-2. Ball Characteristics (CBC Pkg.)<sup>(5)</sup> (continued)**

BALL BOTTOM [1]	BALL TOP [1]	PIN NAME [2]	MODE [3]	TYPE [4]	BALL RESET STATE [5]	BALL RESET REL. STATE [6]	RESET REL. MODE [7]	POWER [8]	HYS [9]	BUFFER STRENGTH (mA) [10]	PULLUP /DOWN TYPE [11]	IO CELL [12]
		sys_ndmareq1	1	I								
		uart4_rx	2	I								
		gpio_65	4	IO								
		safe_mode	7	-								
W19	NA	hsusb0_clk	0	I	L	L	7	vdds	Yes	8	PU/ PD	LVCMOS
		gpio_120	4	IO								
		safe_mode	7	-								
V20	NA	hsusb0_data0	0	IO	L	L	7	vdds	Yes	4	PU/ PD	LVCMOS
		uart3_tx_irtx	2	O								
		gpio_125	4	IO								
		uart2_tx	5	O								
		safe_mode	7	-								
Y20	NA	hsusb0_data1	0	IO	L	L	7	vdds	Yes	4	PU/ PD	LVCMOS
		uart3_rx_irrx	2	I								
		gpio_130	4	IO								
		uart2_rx	5	I								
		safe_mode	7	-								
V18	NA	hsusb0_data2	0	IO	L	L	7	vdds	Yes	4	PU/ PD	LVCMOS
		uart3_rts_sd	2	O								
		gpio_131	4	IO								
		uart2_rts	5	O								
		safe_mode	7	-								
W20	NA	hsusb0_data3	0	IO	L	L	7	vdds	Yes	4	PU/ PD	LVCMOS
		uart3_cts_rctx	2	IO								
		gpio_169	4	IO								
		uart2_cts	5	I								
		safe_mode	7	-								
W17	NA	hsusb0_data4	0	IO	L	L	7	vdds	Yes	4	PU/ PD	LVCMOS
		gpio_188	4	IO								
		safe_mode	7	-								
Y18	NA	hsusb0_data5	0	IO	L	L	7	vdds	Yes	4	PU/ PD	LVCMOS
		gpio_189	4	IO								
		safe_mode	7	-								
Y19	NA	hsusb0_data6	0	IO	L	L	7	vdds	Yes	4	PU/ PD	LVCMOS
		gpio_190	4	IO								
		safe_mode	7	-								
Y17	NA	hsusb0_data7	0	IO	L	L	7	vdds	Yes	4	PU/ PD	LVCMOS
		gpio_191	4	IO								
		safe_mode	7	-								
V19	NA	hsusb0_dir	0	I	L	L	7	vdds	Yes	4	PU/ PD	LVCMOS
		gpio_122	4	IO								
		safe_mode	7	-								
W18	NA	hsusb0_nxt	0	I	L	L	7	vdds	Yes	4	PU/ PD	LVCMOS
		gpio_124	4	IO								
		safe_mode	7	-								
U20	NA	hsusb0_stp	0	O	H	H	7	vdds	Yes	4	PU/ PD	LVCMOS
		gpio_121	4	IO								
		safe_mode	7	-								
U15	NA	jtag_nrst	0	I	L	L	0	vdds	Yes	NA	PU/ PD	LVCMOS
W13	NA	jtag_rtck	0	O	L	0	0	vdds	NA	4	PU/ PD	LVCMOS
V14	NA	jtag_tck	0	I	L	L	0	vdds	Yes	NA	PU/ PD	LVCMOS
U16	NA	jtag_tdi	0	I	H	H	0	vdds	Yes	NA	PU/ PD	LVCMOS
Y13	NA	jtag_tdo	0	O	L	Z	0	vdds	NA	4	PU/ PD	LVCMOS
V15	NA	jtag_tms_tmsc	0	IO	H	H	0	vdds	Yes	4	PU/ PD	LVCMOS

**Table 2-2. Ball Characteristics (CBC Pkg.)<sup>(5)</sup> (continued)**

BALL BOTTOM [1]	BALL TOP [1]	PIN NAME [2]	MODE [3]	TYPE [4]	BALL RESET STATE [5]	BALL RESET REL. STATE [6]	RESET REL. MODE [7]	POWER [8]	HYS [9]	BUFFER STRENGTH (mA) [10]	PULLUP /DOWN TYPE [11]	IO CELL [12]
N19	NA	mmc1_clk	0	O	L	L	7	vdds_mmc1 <sup>(13)</sup>	Yes	1	PU/ PD <sup>(3)</sup>	LVC MOS
		gpio_120 <sup>(6)</sup>	4	IO								
		safe_mode	7	-								
L18	NA	mmc1_cmd	0	IO	L	L	7	vdds_mmc1 <sup>(13)</sup>	Yes	1	PU/ PD <sup>(3)</sup>	LVC MOS
		gpio_121 <sup>(6)</sup>	4	IO								
		safe_mode	7	-								
M19	NA	mmc1_dat0	0	IO	L	L	7	vdds_mmc1 <sup>(13)</sup>	Yes	1	PU/ PD <sup>(3)</sup>	LVC MOS
		gpio_122 <sup>(6)</sup>	4	IO								
		safe_mode	7	-								
M18	NA	mmc1_dat1	0	IO	L	L	7	vdds_mmc1 <sup>(13)</sup>	Yes	1	PU/ PD <sup>(3)</sup>	LVC MOS
		gpio_123 <sup>(6)</sup>	4	IO								
		safe_mode	7	-								
K18	NA	mmc1_dat2	0	IO	L	L	7	vdds_mmc1 <sup>(13)</sup>	Yes	1	PU/ PD <sup>(3)</sup>	LVC MOS
		gpio_124 <sup>(6)</sup>	4	IO								
		safe_mode	7	-								
N20	NA	mmc1_dat3	0	IO	L	L	7	vdds_mmc1 <sup>(13)</sup>	Yes	1	PU/ PD <sup>(3)</sup>	LVC MOS
		gpio_125 <sup>(6)</sup>	4	IO								
		safe_mode	7	-								
M20	NA	gpio_126 <sup>(6)</sup>	4	IO	L	L	7	vdds_x	Yes	1	PU/PD <sup>(3)</sup>	LVC MOS
		safe_mode	7	-								
P17	NA	gpio_127 <sup>(6)</sup>	4	IO	L	L	7	vdds_x	Yes	1	PU/PD <sup>(3)</sup>	LVC MOS
		safe_mode	7	-								
P18	NA	gpio_128	4	IO	L	L	7	vdds	Yes	4	PU/PD	LVC MOS
		safe_mode	7	-								
P19	NA	gpio_129 <sup>(6)</sup>	4	IO	L	L	7	vdds_x	Yes	1	PU/PD <sup>(3)</sup>	LVC MOS
		safe_mode	7	-								
J25	NA	i2c1_scl	0	OD	H	H	0	vdds	NA	3	PU/ PD <sup>(9)(10)</sup>	Open Drain
J24	NA	i2c1_sda	0	IOD	H	H	0	vdds	Yes	3	PU/ PD <sup>(9)(10)</sup>	LVC MOS Open Drain
C2	NA	i2c2_scl	0	OD	H	H	7	vdds	Yes	3	PU/ PD <sup>(9)(11)</sup>	LVC MOS Open Drain
		gpio_168	4	IO						4		
		safe_mode	7	-						4		
C1	NA	i2c2_sda	0	IOD	H	H	7	vdds	Yes	3	PU/ PD <sup>(9)(11)</sup>	LVC MOS Open Drain
		gpio_183	4	IO						4		
		safe_mode	7	-						4		
AB4	NA	i2c3_scl	0	OD	H	H	7	vdds	Yes	3	PU/ PD <sup>(9)(11)</sup>	LVC MOS Open Drain
		gpio_184	4	IO						4		
		safe_mode	7	-						4		
AC4	NA	i2c3_sda	0	IOD	H	H	7	vdds	Yes	3	PU/ PD <sup>(9)(11)</sup>	LVC MOS Open Drain
		gpio_185	4	IO						4		
		safe_mode	7	-						4		
U19	NA	mcbasp1_clkr	0	IO	L	L	7	vdds	Yes	4	PU/ PD	LVC MOS
		mcsapi4_clk	1	IO								
		gpio_156	4	IO								
		safe_mode	7	-								
T17	NA	mcbasp1_clkx	0	IO	L	L	7	vdds	Yes	4	PU/ PD	LVC MOS
		mcbasp3_clkx	2	IO								
		gpio_162	4	IO								
		safe_mode	7	-								

**Table 2-2. Ball Characteristics (CBC Pkg.)<sup>(5)</sup> (continued)**

BALL BOTTOM [1]	BALL TOP [1]	PIN NAME [2]	MODE [3]	TYPE [4]	BALL RESET STATE [5]	BALL RESET REL. STATE [6]	RESET REL. MODE [7]	POWER [8]	HYS [9]	BUFFER STRENGTH (mA) [10]	PULLUP /DOWN TYPE [11]	IO CELL [12]
T20	NA	mcbasp1_dr	0	I	L	L	7	vdds	Yes	4	PU/ PD	LVCMOS
		mcspi4_somi	1	IO								
		mcbasp3_dr	2	I								
		gpio_159	4	IO								
		safe_mode	7	-								
U17	NA	mcbasp1_dx	0	IO	L	L	7	vdds	Yes	4	PU/ PD	LVCMOS
		mcspi4_simo	1	IO								
		mcbasp3_dx	2	IO								
		gpio_158	4	IO								
		safe_mode	7	-								
V17	NA	mcbasp1_fsr	0	IO	L	L	7	vdds	Yes	4	PU/ PD	LVCMOS
		cam_global_reset	2	IO								
		gpio_157	4	IO								
		safe_mode	7	-								
P20	NA	mcbasp1_fsx	0	IO	L	L	7	vdds	Yes	4	PU/ PD	LVCMOS
		mcspi4_cs0	1	IO								
		mcbasp3_fsx	2	IO								
		gpio_161	4	IO								
		safe_mode	7	-								
R18	NA	mcbasp2_clkx	0	IO	L	L	7	vdds	Yes	4	PU/ PD	LVCMOS
		gpio_117	4	IO								
		safe_mode	7	-								
T18	NA	mcbasp2_dr	0	I	L	L	7	vdds	Yes	4	PU/ PD	LVCMOS
		gpio_118	4	IO								
		safe_mode	7	-								
R19	NA	mcbasp2_dx	0	IO	L	L	7	vdds	Yes	4	PU/ PD	LVCMOS
		gpio_119	4	IO								
		safe_mode	7	-								
U18	NA	mcbasp2_fsx	0	IO	L	L	7	vdds	Yes	4	PU/ PD	LVCMOS
		gpio_116	4	IO								
		safe_mode	7	-								
P9	NA	mcspi1_clk	0	IO	L	L	7	vdds	Yes	4	PU/ PD	LVCMOS
		mmc2_dat4	1	IO								
		gpio_171	4	IO								
		safe_mode	7	-								
R7	NA	mcspi1_cs0	0	IO	H	H	7	vdds	Yes	4	PU/ PD	LVCMOS
		mmc2_dat7	1	IO								
		gpio_174	4	IO								
		safe_mode	7	-								
R9	NA	mcspi1_cs2	0	O	H	H	7	vdds	Yes	4	PU/ PD	LVCMOS
		mmc3_clk	3	O								
		gpio_176	4	IO								
		safe_mode	7	-								
P8	NA	mcspi1_simo	0	IO	L	L	7	vdds	Yes	4	PU/ PD	LVCMOS
		mmc2_dat5	1	IO								
		gpio_172	4	IO								
		safe_mode	7	-								
P7	NA	mcspi1_somi	0	IO	L	L	7	vdds	Yes	4	PU/ PD	LVCMOS
		mmc2_dat6	1	IO								
		gpio_173	4	IO								
		safe_mode	7	-								
W7	NA	mcspi2_clk	0	IO	L	L	7	vdds	Yes	4	PU/ PD	LVCMOS
		hsusb2_data7	3	IO								
		gpio_178	4	IO								
		safe_mode	7	-								

**Table 2-2. Ball Characteristics (CBC Pkg.)<sup>(5)</sup> (continued)**

BALL BOTTOM [1]	BALL TOP [1]	PIN NAME [2]	MODE [3]	TYPE [4]	BALL RESET STATE [5]	BALL RESET REL. STATE [6]	RESET REL. MODE [7]	POWER [8]	HYS [9]	BUFFER STRENGTH (mA) [10]	PULLUP /DOWN TYPE [11]	IO CELL [12]
V8	NA	mcspi2_cs0	0	IO	H	H	7	vdds	Yes	4	PU/ PD	LVCMOS
		gpt_11_pwm_evt	1	IO								
		hsusb2_data6	3	IO								
		gpio_181	4	IO								
		safe_mode	7	-								
W8	NA	mcspi2_simo	0	IO	L	L	7	vdds	Yes	4	PU/ PD	LVCMOS
		gpt_9_pwm_evt	1	IO								
		hsusb2_data4	3	IO								
		gpio_179	4	IO								
		safe_mode	7	-								
U8	NA	mcspi2_somi	0	IO	L	L	7	vdds	Yes	4	PU/ PD	LVCMOS
		gpt_10_pwm_evt	1	IO								
		hsusb2_data5	3	IO								
		gpio_180	4	IO								
		safe_mode	7	-								
W10	NA	mmc2_clk	0	O	L	L	7	vdds	Yes	4	PU/ PD	LVCMOS
		mcspi3_clk	1	IO								
		gpio_130	4	IO								
		safe_mode	7	-								
R10	NA	mmc2_cmd	0	IO	H	H	7	vdds	Yes	4	PU/ PD	LVCMOS
		mcspi3_simo	1	IO								
		gpio_131	4	IO								
		safe_mode	7	-								
T10	NA	mmc2_dat0	0	IO	H	H	7	vdds	Yes	4	PU/ PD	LVCMOS
		mcspi3_somi	1	IO								
		gpio_132	4	IO								
		safe_mode	7	-								
T9	NA	mmc2_dat1	0	IO	H	H	7	vdds	Yes	4	PU/ PD	LVCMOS
		gpio_133	4	IO								
		safe_mode	7	-								
U10	NA	mmc2_dat2	0	IO	H	H	7	vdds	Yes	4	PU/ PD	LVCMOS
		mcspi3_cs1	1	O								
		gpio_134	4	IO								
		safe_mode	7	-								
U9	NA	mmc2_dat3	0	IO	H	H	7	vdds	Yes	4	PU/ PD	LVCMOS
		mcspi3_cs0	1	IO								
		gpio_135	4	IO								
		safe_mode	7	-								
V10	NA	mmc2_dat4	0	IO	L	L	7	vdds	Yes	4	PU/ PD	LVCMOS
		mmc2_dir_dat0	1	O								
		mmc3_dat0	3	IO								
		gpio_136	4	IO								
		safe_mode	7	-								
R2	NA	uart1_rts	0	O	L	L	7	vdds	Yes	4	PU/ PD	LVCMOS
		gpio_149	4	IO								
		safe_mode	7	-								
H3	NA	uart1_rx	0	I	L	L	7	vdds	Yes	4	PU/ PD	LVCMOS
		mcbsp1_clkr	2	IO								
		mcspi4_clk	3	IO								
		gpio_151	4	IO								
		safe_mode	7	-								
L4	NA	uart1_tx	0	O	L	L	7	vdds	Yes	4	PU/ PD	LVCMOS
		gpio_148	4	IO								
		safe_mode	7	-								
Y24	NA	uart2_cts	0	I	H	H	7	vdds	Yes	4	PU/ PD	LVCMOS

Table 2-2. Ball Characteristics (CBC Pkg.)<sup>(5)</sup> (continued)

BALL BOTTOM [1]	BALL TOP [1]	PIN NAME [2]	MODE [3]	TYPE [4]	BALL RESET STATE [5]	BALL RESET REL. STATE [6]	RESET REL. MODE [7]	POWER [8]	HYS [9]	BUFFER STRENGTH (mA) [10]	PULLUP /DOWN TYPE [11]	IO CELL [12]
		mcbasp3_dx	1	IO								
		gpt_9_pwm_evt	2	IO								
		gpio_144	4	IO								
		safe_mode	7	-								
AA24	NA	uart2_rts	0	O	H	H	7	vdds	Yes	4	PU/ PD	LVC MOS
		mcbasp3_dr	1	I								
		gpt_10_pwm_evt	2	IO								
		gpio_145	4	IO								
		safe_mode	7	-								
AD21	NA	uart2_rx	0	I	H	H	7	vdds	Yes	4	PU/ PD	LVC MOS
		mcbasp3_fsx	1	IO								
		gpt_8_pwm_evt	2	IO								
		gpio_147	4	IO								
		safe_mode	7	-								
AD22	NA	uart2_tx	0	O	H	H	7	vdds	Yes	4	PU/ PD	LVC MOS
		mcbasp3_clkx	1	IO								
		gpt_11_pwm_evt	2	IO								
		gpio_146	4	IO								
		safe_mode	7	-								
F23	NA	uart3_cts_rctx	0	IO	H	H	7	vdds	Yes	4	PU/ PD	LVC MOS
		gpio_163	4	IO								
		safe_mode	7	-								
F24	NA	uart3_rts_sd	0	O	H	H	7	vdds	Yes	4	PU/ PD	LVC MOS
		gpio_164	4	IO								
		safe_mode	7	-								
H24	NA	uart3_rx_irrx	0	I	H	H	7	vdds	Yes	4	PU/ PD	LVC MOS
		gpio_165	4	IO								
		safe_mode	7	-								
G24	NA	uart3_tx_rtx	0	O	H	H	7	vdds	Yes	4	PU/ PD	LVC MOS
		gpio_166	4	IO								
		safe_mode	7	-								
J23	NA	hdq_sio	0	IOD	H	H	7	vdds	Yes	4	PU/ PD	LVC MOS Open Drain
		sys_altclk	1	I								
		i2c2_sccbe	2	OD								
		i2c3_sccbe	3	OD								
		gpio_170	4	IO								
		safe_mode	7	-								
AD15	NA	i2c4_scl	0	OD	H	H	0	vdds	Yes	3	PU/ PD <sup>(9)</sup> <sup>(10)</sup>	LVC MOS Open Drain
		sys_nvmode1	1	O						4		
		safe_mode	7	-						4		
W16	NA	i2c4_sda	0	IOD	H	H	0	vdds	Yes	3	PU/ PD <sup>(9)</sup> <sup>(10)</sup>	LVC MOS Open Drain
		sys_nvmode2	1	O						4		
		safe_mode	7	-						4		
F3	NA	sys_boot0	0	I	Z	Z	0	vdds	Yes	8	PU/ PD	LVC MOS
		dss_data18	3	IO								
		gpio_2	4	IO								
		safe_mode	7	-								
D3	NA	sys_boot1	0	I	Z	Z	0	vdds	Yes	8	PU/ PD	LVC MOS
		dss_data19	3	IO								
		gpio_3	4	IO								
		safe_mode	7	-								
C3	NA	sys_boot2	0	I	Z	Z	0	vdds	Yes	8	PU/ PD	LVC MOS
		gpio_4	4	IO								

**Table 2-2. Ball Characteristics (CBC Pkg.)<sup>(5)</sup> (continued)**

BALL BOTTOM [1]	BALL TOP [1]	PIN NAME [2]	MODE [3]	TYPE [4]	BALL RESET STATE [5]	BALL RESET REL. STATE [6]	RESET REL. MODE [7]	POWER [8]	HYS [9]	BUFFER STRENGTH (mA) [10]	PULLUP /DOWN TYPE [11]	IO CELL [12]
		safe_mode	7	-								
E3	NA	sys_boot3	0	I	Z	Z	0	vdds	Yes	8	PU/ PD	LVC MOS
		dss_data20	3	O								
		gpio_5	4	IO								
		safe_mode	7	-								
E4	NA	sys_boot4	0	I	Z	Z	0	vdds	Yes	8	PU/ PD	LVC MOS
		mmc2_dir_dat2	1	O								
		dss_data21	3	O								
		gpio_6	4	IO								
		safe_mode	7	-								
G3	NA	sys_boot5	0	I	Z	Z	0	vdds	Yes	8	PU/ PD	LVC MOS
		mmc2_dir_dat3	1	O								
		dss_data22	3	O								
		gpio_7	4	IO								
		safe_mode	7	-								
D4	NA	sys_boot6	0	I	Z	Z	0	vdds	Yes	8	PU/ PD	LVC MOS
		dss_data23	3	O								
		gpio_8	4	IO								
		safe_mode	7	-								
AE14	NA	sys_clkout1	0	O	L	L	7 <sup>(12)</sup>	vdds	Yes	4	PU/ PD	LVC MOS
		gpio_10	4	IO								
		safe_mode	7	-								
W11	NA	sys_clkout2	0	O	L	L	7	vdds	Yes	4	PU/ PD	LVC MOS
		gpio_186	4	IO								
		safe_mode	7	-								
W15	NA	sys_clkreq	0	IO	0	see <sup>(7)</sup>	0	vdds	Yes	4	PU/ PD	LVC MOS
		gpio_1	4	IO								
		safe_mode	7	-								
V16	NA	sys_nirq	0	I	H	H	7	vdds	Yes	4	PU/ PD	LVC MOS
		gpio_0	4	IO								
		safe_mode	7	-								
V13	NA	sys_nrespwrn	0	I	Z	Z	0	vdds	Yes	NA	No	LVC MOS
AD7	AA5	sys_nreswarm	0	I/O D	0	H	0	vdds	Yes	4	PU/ PD	LVC MOS Open Drain
		gpio_30	4	IO								
		safe_mode	7	-								
V12	NA	sys_off_mode	0	O	0	L	7	vdds	Yes	4	PU/ PD	LVC MOS
		gpio_9	4	IO								
		safe_mode	7	-								
AF19	NA	sys_xtalin	0	AI	Z	Z	0	vdds	Yes	NA	NA	LVC MOS Analog
AF20	NA	sys_xtalout	0	AO	Z	0	0	vdds	NA	NA	NA	Analog
W26	NA	cvideo1_out	0	AO	0	0	0	vdda_dac	NA	NA	NA	10-bit DAC
V26	NA	cvideo2_out	0	AO	0	0	0	vdda_dac	NA	NA	NA	10-bit DAC
W25	NA	cvideo1_vfb	0	AO	0	NA	0	vdda_dac	NA	NA	NA	10-bit DAC
U24	NA	cvideo2_vfb	0	AO	0	NA	0	vdda_dac	NA	NA	NA	10-bit DAC
V23	NA	cvideo1_rset	0	AIO	Z	NA	0	vdda_dac	No	NA	NA	10-bit DAC
AE20	NA	sys_32k	0	I	Z	Z	0	vdds	Yes	NA	PU/ PD	LVC MOS
A24	NA	cam_d2	0	I	L	L	7	vdds	Yes	8	PU/ PD	LVC MOS
		gpio_101	4	IO								
		hw_dbg4	5	O								
		safe_mode	7	-								
B24	NA	cam_d3	0	I	L	L	7	vdds	Yes	8	PU/ PD	LVC MOS
		gpio_102	4	IO								
		hw_dbg5	5	O								
		safe_mode	7	-								

**Table 2-2. Ball Characteristics (CBC Pkg.)<sup>(5)</sup> (continued)**

BALL BOTTOM [1]	BALL TOP [1]	PIN NAME [2]	MODE [3]	TYPE [4]	BALL RESET STATE [5]	BALL RESET REL. STATE [6]	RESET REL. MODE [7]	POWER [8]	HYS [9]	BUFFER STRENGTH (mA) [10]	PULLUP /DOWN TYPE [11]	IO CELL [12]
D24	NA	cam_d4	0	I	L	L	7	vdds	Yes	8	PU/ PD	LVCMOS
		gpio_103	4	IO								
		hw_dbg6	5	O								
		safe_mode	7	-								
C24	NA	cam_d5	0	I	L	L	7	vdds	Yes	8	PU/ PD	LVCMOS
		gpio_104	4	IO								
		hw_dbg7	5	O								
		safe_mode	7	-								
D25	NA	cam_d10	0	I	L	L	7	vdds	Yes	8	PU/ PD	LVCMOS
		gpio_109	4	IO								
		hw_dbg8	5	O								
		safe_mode	7	-								
E26	NA	cam_d11	0	I	L	L	7	vdds	Yes	8	PU/ PD	LVCMOS
		gpio_110	4	IO								
		hw_dbg9	5	O								
		safe_mode	7	-								
B23	NA	cam_fld	0	IO	L	L	7	vdds	Yes	4	PU/ PD	LVCMOS
		cam_global_reset	2	IO								
		gpio_98	4	IO								
		hw_dbg3	5	O								
		safe_mode	7	-								
C23	NA	cam_hs	0	IO	L	L	7	vdds	Yes	4	PU/ PD	LVCMOS
		gpio_94	4	IO								
		hw_dbg0	5	O								
		safe_mode	7	-								
C26	NA	cam_pclk	0	I	L	L	7	vdds	Yes	4	PU/ PD	LVCMOS
		gpio_97	4	IO								
		hw_dbg2	5	O								
		safe_mode	7	-								
D26	NA	cam_strobe	0	O	L	L	7	vdds	Yes	4	PU/ PD	LVCMOS
		gpio_126	4	IO								
		hw_dbg11	5	O								
		safe_mode	7	-								
C25	NA	cam_xclka	0	O	L	L	7	vdds	Yes	4	PU/ PD	LVCMOS
		gpio_96	4	IO								
		safe_mode	7	-								
E25	NA	cam_xclkb	0	O	L	L	7	vdds	Yes	4	PU/ PD	LVCMOS
		gpio_111	4	IO								
		safe_mode	7	-								
P25	NA	cam_d6	0	I	L	L	7	vdds	Yes	NA	PU/ PD	SubLVDS
		gpio_105	4	I								
		safe_mode	7	-								
P26	NA	cam_d7	0	I	L	L	7	vdds	Yes	NA	PU/ PD	SubLVDS
		gpio_106	4	I								
		safe_mode	7	-								
N25	NA	cam_d8	0	I	L	L	7	vdds	NA	NA	PU/ PD	SubLVDS
		gpio_107	4	I								
		safe_mode	7	-								
N26	NA	cam_d9	0	I	L	L	7	vdds	NA	NA	PU/ PD	SubLVDS
		gpio_108	4	I								
		safe_mode	7	-								
D23	NA	cam_vs	0	IO	L	L	7	vdds	Yes	4	PU/ PD	LVCMOS
		gpio_95	4	IO								
		hw_dbg1	5	O								
		safe_mode	7	-								



**Table 2-2. Ball Characteristics (CBC Pkg.)<sup>(5)</sup> (continued)**

BALL BOTTOM [1]	BALL TOP [1]	PIN NAME [2]	MODE [3]	TYPE [4]	BALL RESET STATE [5]	BALL RESET REL. STATE [6]	RESET REL. MODE [7]	POWER [8]	HYS [9]	BUFFER STRENGTH (mA) [10]	PULLUP /DOWN TYPE [11]	IO CELL [12]
A23	NA	cam_wen	0	I	L	L	7	vdds	Yes	4	PU/ PD	LVCMOS
		cam_shutter	2	O								
		gpio_167	4	IO								
		hw_dbg10	5	O								
		safe_mode	7	-								
F26	NA	dss_acbias	0	O	L	L	7	vdds	Yes	8	PU/ PD	LVCMOS
		gpio_69	4	IO								
		safe_mode	7	-								
G26	NA	dss_data6	0	IO	L	L	7	vdds	Yes	8	PU/ PD	LVCMOS
		uart1_tx	2	O								
		gpio_76	4	IO								
		hw_dbg14	5	O								
		safe_mode	7	-								
H25	NA	dss_data7	0	IO	L	L	7	vdds	Yes	8	PU/ PD	LVCMOS
		uart1_rx	2	I								
		gpio_77	4	IO								
		hw_dbg15	5	O								
		safe_mode	7	-								
H26	NA	dss_data8	0	IO	L	L	7	vdds	Yes	8	PU/ PD	LVCMOS
		uart3_rx_irrx	2	I								
		gpio_78	4	IO								
		hw_dbg16	5	O								
		safe_mode	7	-								
J26	NA	dss_data9	0	IO	L	L	7	vdds	Yes	8	PU/ PD	LVCMOS
		uart3_tx_irtx	2	O								
		gpio_79	4	IO								
		hw_dbg17	5	O								
		safe_mode	7	-								
L25	NA	dss_data16	0	IO	L	L	7	vdds	Yes	8	PU/ PD	LVCMOS
		gpio_86	4	IO								
		safe_mode	7	-								
L26	NA	dss_data17	0	IO	L	L	7	vdds	Yes	8	PU/ PD	LVCMOS
		gpio_87	4	IO								
		safe_mode	7	-								
M24	NA	dss_data18	0	IO	L	L	7	vdds	Yes	8	PU/ PD	LVCMOS
		mcspi3_clk	2	IO								
		dss_data0	3	IO								
		gpio_88	4	IO								
		safe_mode	7	-								
M26	NA	dss_data19	0	IO	L	L	7	vdds	Yes	8	PU/ PD	LVCMOS
		mcspi3_simo	2	IO								
		dss_data1	3	IO								
		gpio_89	4	IO								
		safe_mode	7	-								
N24	NA	dss_data21	0	O	L	L	7	vdds	Yes	8	PU/ PD	LVCMOS
		mcspi3_cs0	2	IO								
		dss_data3	3	IO								
		gpio_91	4	IO								
		safe_mode	7	-								
K24	NA	dss_hsync	0	O	H	H	7	vdds	Yes	4	PU/ PD	LVCMOS
		gpio_67	4	IO								
		hw_dbg13	5	O								
		safe_mode	7	-								
M25	NA	dss_vsync	0	O	H	H	7	vdds	Yes	4	PU/ PD	LVCMOS
		gpio_68	4	IO								

**Table 2-2. Ball Characteristics (CBC Pkg.)<sup>(5)</sup> (continued)**

BALL BOTTOM [1]	BALL TOP [1]	PIN NAME [2]	MODE [3]	TYPE [4]	BALL RESET STATE [5]	BALL RESET REL. STATE [6]	RESET REL. MODE [7]	POWER [8]	HYS [9]	BUFFER STRENGTH (mA) [10]	PULLUP /DOWN TYPE [11]	IO CELL [12]
		safe_mode	7	-								
R8	NA	mcspi1_cs1	0	O	H	H	7	vdds	Yes	4	PU/ PD	LVCMOS
		mmc3_cmd	3	IO								
		gpio_175	4	IO								
		safe_mode	7	-								
T8	NA	mcspi1_cs3	0	O	H	H	7	vdds	Yes	4	PU/ PD	LVCMOS
		hsusb2_data2	3	IO								
		gpio_177	4	IO								
		mm2_txdat	5	IO								
		safe_mode	7	-								
V9	NA	mcspi2_cs1	0	O	L	L	7	vdds	Yes	4	PU/ PD	LVCMOS
		gpt_8_pwm_evt	1	IO								
		hsusb2_data3	3	IO								
		gpio_182	4	IO								
		mm2_txen_n	5	IO								
		safe_mode	7	-								
T19	NA	mcbsp_clks	0	I	L	L	7	vdds	Yes	4	PU/ PD	LVCMOS
		cam_shutter	2	O								
		gpio_160	4	IO								
		uart1_cts	5	I								
		safe_mode	7	-								
AB2	NA	etk_clk	0	O	H	H	4	vdds	Yes	4	PU/ PD	LVCMOS
		mcbsp5_clkx	1	IO								
		mmc3_clk	2	O								
		hsusb1_stp	3	O								
		gpio_12	4	IO								
		mm1_rxdp	5	IO								
		hw_dbg0	7	O								
AB3	NA	etk_ctl	0	O	H	H	4	vdds	Yes	4	PU/ PD	LVCMOS
		mmc3_cmd	2	IO								
		hsusb1_clk	3	O								
		gpio_13	4	IO								
		hw_dbg1	7	O								
AC3	NA	etk_d0	0	O	H	H	4	vdds	Yes	4	PU/ PD	LVCMOS
		mcspi3_simo	1	IO								
		mmc3_dat4	2	IO								
		hsusb1_data0	3	IO								
		gpio_14	4	IO								
		mm1_rxrcv	5	IO								
		hw_dbg2	7	O								
AD4	NA	etk_d1	0	O	H	H	4	vdds	Yes	4	PU/ PD	LVCMOS
		mcspi3_somi	1	IO								
		hsusb1_data1	3	IO								
		gpio_15	4	IO								
		mm1_txse0	5	IO								
		hw_dbg3	7	O								
AD3	NA	etk_d2	0	O	H	H	4	vdds	Yes	4	PU/ PD	LVCMOS
		mcspi3_cs0	1	IO								
		hsusb1_data2	3	IO								
		gpio_16	4	IO								
		mm1_txdat	5	IO								
		hw_dbg4	7	O								
AA3	NA	etk_d3	0	O	H	H	4	vdds	Yes	4	PU/ PD	LVCMOS
		mcspi3_clk	1	IO								
		mmc3_dat3	2	IO								

**Table 2-2. Ball Characteristics (CBC Pkg.)<sup>(5)</sup> (continued)**

BALL BOTTOM [1]	BALL TOP [1]	PIN NAME [2]	MODE [3]	TYPE [4]	BALL RESET STATE [5]	BALL RESET REL. STATE [6]	RESET REL. MODE [7]	POWER [8]	HYS [9]	BUFFER STRENGTH (mA) [10]	PULLUP /DOWN TYPE [11]	IO CELL [12]
		hsusb1_data7	3	IO								
		gpio_17	4	IO								
		hw_dbg5	7	O								
Y3	NA	etk_d4	0	O	L	L	4	vdds	Yes	4	PU/ PD	LVC MOS
		mcbbsp5_dr	1	I								
		mmc3_dat0	2	IO								
		hsusb1_data4	3	IO								
		gpio_18	4	IO								
		hw_dbg6	7	O								
AB1	NA	etk_d5	0	O	L	L	4	vdds	Yes	4	PU/ PD	LVC MOS
		mcbbsp5_fsx	1	IO								
		mmc3_dat1	2	IO								
		hsusb1_data5	3	IO								
		gpio_19	4	IO								
		hw_dbg7	7	O								
AE3	NA	etk_d6	0	O	L	L	4	vdds	Yes	4	PU/ PD	LVC MOS
		mcbbsp5_dx	1	O								
		mmc3_dat2	2	IO								
		hsusb1_data6	3	IO								
		gpio_20	4	IO								
		hw_dbg8	7	O								
AD2	NA	etk_d7	0	O	L	L	4	vdds	Yes	4	PU/ PD	LVC MOS
		mcspi3_cs1	1	O								
		mmc3_dat7	2	IO								
		hsusb1_data3	3	IO								
		gpio_21	4	IO								
		mm1_txen_n	5	IO								
		hw_dbg9	7	O								
AA4	NA	etk_d8	0	O	L	L	4	vdds	Yes	4	PU/ PD	LVC MOS
		mmc3_dat6	2	IO								
		hsusb1_dir	3	I								
		gpio_22	4	IO								
		hw_dbg10	7	O								
V2	NA	etk_d9	0	O	L	L	4	vdds	Yes	4	PU/ PD	LVC MOS
		mmc3_dat5	2	IO								
		hsusb1_nxt	3	I								
		gpio_23	4	IO								
		mm1_rxdm	5	IO								
		hw_dbg11	7	O								
AE4	NA	etk_d10	0	O	L	L	4	vdds	Yes	4	PU/ PD	LVC MOS
		uart1_rx	2	I								
		hsusb2_clk	3	O								
		gpio_24	4	IO								
		hw_dbg12	7	O								
AF6	NA	etk_d11	0	O	L	L	4	vdds	Yes	4	PU/ PD	LVC MOS
		hsusb2_stp	3	O								
		gpio_25	4	IO								
		mm2_rxdp	5	IO								
		hw_dbg13	7	O								
AE6	NA	etk_d12	0	O	L	L	4	vdds	Yes	4	PU/ PD	LVC MOS
		hsusb2_dir	3	I								
		gpio_26	4	IO								
		hw_dbg14	7	O								
AF7	NA	etk_d13	0	O	L	L	4	vdds	Yes	4	PU/ PD	LVC MOS
		hsusb2_nxt	3	I								

**Table 2-2. Ball Characteristics (CBC Pkg.)<sup>(5)</sup> (continued)**

BALL BOTTOM [1]	BALL TOP [1]	PIN NAME [2]	MODE [3]	TYPE [4]	BALL RESET STATE [5]	BALL RESET REL. STATE [6]	RESET REL. MODE [7]	POWER [8]	HYS [9]	BUFFER STRENGTH (mA) [10]	PULLUP /DOWN TYPE [11]	IO CELL [12]
		gpio_27	4	IO								
		mm2_rxdm	5	IO								
		hw_dbg15	7	O								
AF9	NA	etk_d14	0	O	L	L	4	vdds	Yes	4	PU/ PD	LVC MOS
		hsusb2_data0	3	IO								
		gpio_28	4	IO								
		mm2_rxcv	5	IO								
		hw_dbg16	7	O								
AE9	NA	etk_d15	0	O	L	L	4	vdds	Yes	4	PU/ PD	LVC MOS
		hsusb2_data1	3	IO								
		gpio_29	4	IO								
		mm2_txse0	5	IO								
		hw_dbg17	7	O								
Y15	NA	jtag_emu0	0	IO	H	H	0	vdds	Yes	4	PU/ PD	LVC MOS
		gpio_11	4	IO								
		safe_mode	7	-								
Y14	NA	jtag_emu1	0	IO	H	H	0	vdds	Yes	4	PU/ PD	LVC MOS
		gpio_31	4	IO								
		safe_mode	7	-								
U3	NA	mcbbsp3_clkx	0	IO	L	L	7	vdds	Yes	4	PU/ PD	LVC MOS
		uart2_tx	1	O								
		gpio_142	4	IO								
		safe_mode	7	-								
N3	NA	mcbbsp3_dr	0	I	L	L	7	vdds	Yes	4	PU/ PD	LVC MOS
		uart2_rts	1	O								
		gpio_141	4	IO								
		safe_mode	7	-								
P3	NA	mcbbsp3_dx	0	IO	L	L	7	vdds	Yes	4	PU/ PD	LVC MOS
		uart2_cts	1	I								
		gpio_140	4	IO								
		safe_mode	7	-								
W3	NA	mcbbsp3_fsx	0	IO	L	L	7	vdds	Yes	4	PU/ PD	LVC MOS
		uart2_rx	1	I								
		gpio_143	4	IO								
		safe_mode	7	-								
V3	NA	mcbbsp4_clkx	0	IO	L	L	7	vdds	Yes	4	PU/ PD	LVC MOS
		gpio_152	4	IO								
		mm3_txse0	6	IO								
		safe_mode	7	-								
U4	NA	mcbbsp4_dr	0	I	L	L	7	vdds	Yes	4	PU/ PD	LVC MOS
		gpio_153	4	IO								
		mm3_rxcv	6	IO								
		safe_mode	7	-								
R3	NA	mcbbsp4_dx	0	IO	L	L	7	vdds	Yes	4	PU/ PD	LVC MOS
		gpio_154	4	IO								
		mm3_txdat	6	IO								
		safe_mode	7	-								
T3	NA	mcbbsp4_fsx	0	IO	L	L	7	vdds	Yes	4	PU/ PD	LVC MOS
		gpio_155	4	IO								
		mm3_txen_n	6	IO								
		safe_mode	7	-								
M3	NA	mmc2_dat5	0	IO	L	L	7	vdds	Yes	4	PU/ PD	LVC MOS
		mmc2_dir_dat1	1	O								
		cam_global_reset	2	IO								
		mmc3_dat1	3	IO								

**Table 2-2. Ball Characteristics (CBC Pkg.)<sup>(5)</sup> (continued)**

BALL BOTTOM [1]	BALL TOP [1]	PIN NAME [2]	MODE [3]	TYPE [4]	BALL RESET STATE [5]	BALL RESET REL. STATE [6]	RESET REL. MODE [7]	POWER [8]	HYS [9]	BUFFER STRENGTH (mA) [10]	PULLUP /DOWN TYPE [11]	IO CELL [12]
		gpio_137	4	IO								
		mm3_rxdp	6	IO								
		safe_mode	7	-								
L3	NA	mmc2_dat6	0	IO	L	L	7	vdds	Yes	4	PU/ PD	LVC MOS
		mmc2_dir_cmd	1	O								
		cam_shutter	2	O								
		mmc3_dat2	3	IO								
		gpio_138	4	IO								
		safe_mode	7	-								
K3	NA	mmc2_dat7	0	IO	L	L	7	vdds	Yes	4	PU/ PD	LVC MOS
		mmc2_clkln	1	I								
		mmc3_dat3	3	IO								
		gpio_139	4	IO								
		mm3_rxdm	6	IO								
		safe_mode	7	-								
W2	NA	uart1_cts	0	I	L	L	7	vdds	Yes	4	PU/ PD	LVC MOS
		gpio_150	4	IO								
		safe_mode	7	-								
AC16	NA	vss	0	GND								
AD18	NA	vdds	0	PWR								
L19	NA	vss	0	GND								
AC19	NA	vss	0	GND								
AD19	NA	vdds	0	PWR								
L20	NA	vdds	0	PWR								
P23	NA	vdds_x	0	PWR								
AE19	NA	cap_vddu_array	0	PWR								
AC21, D15, G11, G18, H20, M7, M17, R20, T7, Y8, Y12	NA	vdd_core	0	PWR	-	-	-	-	-	-	-	-
D13, G9, G12, H7, K11, L9, M9, M10, N7, N8, P10, U7, U11, U13, V7, V11, W9, Y9, Y11	NA	vdd_mpu_iva	0	PWR	-	-	-	-	-	-	-	-
A18, AC7, AC15, AC18, AC24, AD20, AE10, C11, D9, E24, G4, J15, J18, L7, L24, M4, T4, T24, W24, Y4, AB24	A3, A15, B5, F2, F21, L20, W21	vdds	0	PWR	-	-	-	-	-	-	-	-
U12	NA	vdds_sram	0	PWR	-	-	-	-	-	-	-	-
K13	NA	vdda_dpils_dll	0	PWR	-	-	-	-	-	-	-	-
U14	NA	vdda_dpil_per	0	PWR	-	-	-	-	-	-	-	-
W14	NA	vdda_wkup_bg_bb	0	PWR	-	-	-	-	-	-	-	-
N23	NA	vdds_mmc1	0	PWR	-	-	-	-	-	-	-	-
V25	NA	vdda_dac	0	PWR	-	-	-	-	-	-	-	-
V24	NA	vssa_dac	0	GND	-	-	-	-	-	-	-	-

**Table 2-2. Ball Characteristics (CBC Pkg.)<sup>(5)</sup> (continued)**

BALL BOTTOM [1]	BALL TOP [1]	PIN NAME [2]	MODE [3]	TYPE [4]	BALL RESET STATE [5]	BALL RESET REL. STATE [6]	RESET REL. MODE [7]	POWER [8]	HYS [9]	BUFFER STRENGTH (mA) [10]	PULLUP /DOWN TYPE [11]	IO CELL [12]
A6, A8, A13, AB5, AB22, AC10, AD14, AD25, AE7, B2, B25, C12, D7, D10, D12, D14, D18, D20, E22, G1, G8, G10, G20, G23, H4, K1, K15, K25, L10, L17, L23, N4, N10, N17, R1, R4, R17, T23, U25, W1, W4, W23, Y7, Y10, Y16, Y26	A7, A13, B14, C1, F1, F20, H2, H20, L21, M2, P20, R2, W20 Y6, Y11, AA7, AA16	vss	0	GND	-	-	-	-	-	-	-	-
K14	NA	cap_vddu_wkup_log ic	0	PWR	-	-	-	-	-	-	-	-
A1, L1, T2, Y2, AE2, AF4, AF5, AF8, AF10, AF12, AF13, AF14, AF15, AF17, AF16, A20, AF21, AF18, AF24, AF22, A25, AE25, AF25, A26, B26, K26, U26, AE26, AF26	A1, J1, N2, T2, W2, Y2, AA6, Y7, Y9, AA10, AA11, AA12, AA13, Y14, AA14, B16, Y17, AA17, Y19, AA19, A20, Y20, AA20, A21, B21, H21, P21, Y21, AA21	Feed-Through Pins <sup>(4)</sup>	-	-	-	-	-	-	-	-	-	-

**Table 2-2. Ball Characteristics (CBC Pkg.)<sup>(5)</sup> (continued)**

BALL BOTTOM [1]	BALL TOP [1]	PIN NAME [2]	MODE [3]	TYPE [4]	BALL RESET STATE [5]	BALL RESET REL. STATE [6]	RESET REL. MODE [7]	POWER [8]	HYS [9]	BUFFER STRENGTH (mA) [10]	PULLUP /DOWN TYPE [11]	IO CELL [12]
A2, AF1, B1,D5, K23, A5, A7, A9, A10, A11, A12, A14, A15, A16, A17, A19, A21, A22, AA23, AB23, AC9, AC12, AC13, AC14, AC17, AC20, AC22, AC23, AD9, AD11, AD12, AD13, AE1, AE8, AE11, AE12, AE13, AF2, AF3, AF11, B7, B8, B9, B10, B11, B12, B13, B14, B15, B16, B17, B18, B19, B20, B21, B22, C7, C8, C9, C10, C13, C14, C15, C16, C17, C18, C19, C20, C21, C22, D8, D11, D16, D17, D19, D21, D22, E23, F4, G7, G13, G14, G15, G16, G17, G19, H8, H9, H10, H11, H12, H13, H14, H15, H16, H17, H18, H19, H23, J3, J4, J7, J8, J9, J10, J11, J12, J13, J14, J16, J17, J19, J20, K4, K7, K8, K9, K10, K12, K16, K17, K19, L8, M8, M23, N18, P2, P4, P24, R23, R24, R25, R26, T25, T26, U23, V4, W12, Y23	A2, AA1, AA2,B1, B2, B20, Y1	No Connect <sup>(2)</sup>	-	-	-	-	-	-	-	-	-	-
AF23	NA	sys_xtalgn	0	GND								
A4	NA	gpmc_a11	0	O	L	L	7	vdds	Yes	8	PU/PD	LVCNOS
		safe_mode	7									
D6	NA	cap_vdd_bb_mpu_jva	0	PWR								
N9	NA	cap_vdd_sram_mpu_jva	0	PWR								
K20	NA	cap_vdd_sram_core	0	PWR								

- (1) The drive strength of these IOs is set according to the programmable load range: 2 pF to 4 pF per default or 4 pF to 12 pF. For a full description of the drive strength programming, see the System Control Module chapter of the *AM/DM37x Multimedia Device Technical Reference Manual* (literature number [SPRUGN4](#)).
- (2) Pins labeled as "No connect" must be left unconnected. Any connections to these pins may result in unpredictable behavior.
- (3) PU = [50 to 100 kΩ] per default or [10 to 50 kΩ] according to the selected mode.  
For a full description of the pull-up drive strength programming, see the PRG\_SDMMC\_PUSTRENGTH configuration register bit field in the System Control Module chapter of the *AM/DM37x Multimedia Device Technical Reference Manual* (literature number [SPRUGN4](#)). PD: 30 to 150 kΩ.
- (4) These signals are feed-through balls. For more information, see [Table 2-27](#).
- (5) NA in this table stands for "Not Applicable".
- (6) In the safe\_mode\_out1, the buffer is configured to drive 1.
- (7) Depending on the sys\_clkreq direction the corresponding reset released state value can be:
  - Z if sys\_clkreq is used as input
  - 1 if sys\_clkreq is used as output
 For a full description of the sys\_clkreq control, see Power, Reset, and Clock Management chapter of the *AM/DM37x Multimedia Device Technical Reference Manual* (literature number [SPRUGN4](#)).
- (8) The usage of this GPIO is strongly restricted. For more information, see the General-Purpose Interface chapter of the *AM/DM37x Multimedia Device Technical Reference Manual* (literature number [SPRUGN4](#)).
- (9) The pullup and pulldown can be either the standard LVCMOS 100-μA drive strength or the I2C pullup and pulldown described as follows: Nominal resistance = 1.66 kΩ in high-speed mode with a load range of 5 pF to 12 pF, 4.5 kΩ in standard / fast mode with a load range of 5 pF to 15 pF.
- (10) The default buffer configuration is High-Speed I2C point-to-point mode using internal pullup. For a full description of the pull drive strength programming, see prg\_i2c1\_pullupresx, prg\_i2c1\_lb1b0, and prg\_sr\_pullupresx, prg\_sr\_lb bits of the CONTROL\_PROG\_IO1, CONTROL\_PROG\_IO\_WKUP1 control modules in the System Control Module chapter of the *AM/DM37x Multimedia Device Technical Reference Manual* (literature number [SPRUGN4](#)) to modify the IO settings if required by the targeted interface application.
- (11) The default buffer configuration is standard LVCMOS mode (non-I2C). For a full description of the pull drive strength programming, see PADCONF bits of CONTROL\_PADCONF\_X control modules (standard LVCMOS mode), or prg\_i2c2\_pullupresx, prg\_i2c2\_lb1b0, and prg\_i2c3\_pullupresx, prg\_i2c3\_lb1b0 bits of the CONTROL\_PROG\_IO2, CONTROL\_PROG\_IO3 control modules (I2C mode) in the System Control Module chapter of the *AM/DM37x Multimedia Device Technical Reference Manual* (literature number [SPRUGN4](#)) to modify the IO settings if required by the targeted interface application.
- (12) Mux0 if sys\_boot6 is pulled down (clock master).
- (13) If MMC1 functional signals are enabled, vdds\_mmc1 for MMC1 must be supplied by a dedicated power source.  
If MMC1 functional signals are disabled, other multiplexed CMOS signals of the interface can be enabled. The interface can be supplied by the same power source as vdds. The vdds power source supplies the vdds\_mmc1 ball.  
If neither MMC1 functional balls or CMOS signals are enabled, the interface balls are left unconnected with its associated power supply (vdda/vssa) grounded.  
For the corresponding setting of the PBIASLITEPWRDNZ0 bit, see the System Control Module / SCM Programming Model / Extended-Drain I/Os and PBIAS Cells Programming Guide section of the *AM/DM37x Multimedia Device Technical Reference Manual* (literature number [SPRUGN4](#)).

**Table 2-3. Ball Characteristics (CUS Pkg.)<sup>(1)</sup>**

BALL NUMBER [1]	PIN NAME [2]	MODE [3]	TYPE [4]	BALL RESET STATE [5]	BALL RESET REL. STATE [6]	RESET REL. MODE [7]	POWER [8]	HYS [9]	BUFFER STRENGTH (mA) [10]	PULLUP /DOWN TYPE [11]	IO CELL [12]
D7	sdrc_d0	0	IO	L	Z	0	vdds_mem	Yes	4 <sup>(8)</sup>	PU/ PD	LVCMOS
C5	sdrc_d1	0	IO	L	Z	0	vdds_mem	Yes	4 <sup>(8)</sup>	PU/ PD	LVCMOS
C6	sdrc_d2	0	IO	L	Z	0	vdds_mem	Yes	4 <sup>(8)</sup>	PU/ PD	LVCMOS
B5	sdrc_d3	0	IO	L	Z	0	vdds_mem	Yes	4 <sup>(8)</sup>	PU/ PD	LVCMOS
D9	sdrc_d4	0	IO	L	Z	0	vdds_mem	Yes	4 <sup>(8)</sup>	PU/ PD	LVCMOS
D10	sdrc_d5	0	IO	L	Z	0	vdds_mem	Yes	4 <sup>(8)</sup>	PU/ PD	LVCMOS
C7	sdrc_d6	0	IO	L	Z	0	vdds_mem	Yes	4 <sup>(8)</sup>	PU/ PD	LVCMOS
B7	sdrc_d7	0	IO	L	Z	0	vdds_mem	Yes	4 <sup>(8)</sup>	PU/ PD	LVCMOS
B11	sdrc_d8	0	IO	L	Z	0	vdds_mem	Yes	4 <sup>(8)</sup>	PU/ PD	LVCMOS
C12	sdrc_d9	0	IO	L	Z	0	vdds_mem	Yes	4 <sup>(8)</sup>	PU/ PD	LVCMOS
B12	sdrc_d10	0	IO	L	Z	0	vdds_mem	Yes	4 <sup>(8)</sup>	PU/ PD	LVCMOS
D13	sdrc_d11	0	IO	L	Z	0	vdds_mem	Yes	4 <sup>(8)</sup>	PU/ PD	LVCMOS
C13	sdrc_d12	0	IO	L	Z	0	vdds_mem	Yes	4 <sup>(8)</sup>	PU/ PD	LVCMOS
B14	sdrc_d13	0	IO	L	Z	0	vdds_mem	Yes	4 <sup>(8)</sup>	PU/ PD	LVCMOS
A14	sdrc_d14	0	IO	L	Z	0	vdds_mem	Yes	4 <sup>(8)</sup>	PU/ PD	LVCMOS
B15	sdrc_d15	0	IO	L	Z	0	vdds_mem	Yes	4 <sup>(8)</sup>	PU/ PD	LVCMOS
C9	sdrc_d16	0	IO	L	Z	0	vdds_mem	Yes	4 <sup>(8)</sup>	PU/ PD	LVCMOS



**Table 2-3. Ball Characteristics (CUS Pkg.)<sup>(1)</sup> (continued)**

BALL NUMBER [1]	PIN NAME [2]	MODE [3]	TYPE [4]	BALL RESET STATE [5]	BALL RESET REL. STATE [6]	RESET REL. MODE [7]	POWER [8]	HYS [9]	BUFFER STRENGTH (mA) [10]	PULLUP /DOWN TYPE [11]	IO CELL [12]
E12	sdrc_d17	0	IO	L	Z	0	vdds_mem	Yes	4 <sup>(6)</sup>	PU/ PD	LVC MOS
B8	sdrc_d18	0	IO	L	Z	0	vdds_mem	Yes	4 <sup>(6)</sup>	PU/ PD	LVC MOS
B9	sdrc_d19	0	IO	L	Z	0	vdds_mem	Yes	4 <sup>(6)</sup>	PU/ PD	LVC MOS
C10	sdrc_d20	0	IO	L	Z	0	vdds_mem	Yes	4 <sup>(6)</sup>	PU/ PD	LVC MOS
B10	sdrc_d21	0	IO	L	Z	0	vdds_mem	Yes	4 <sup>(6)</sup>	PU/ PD	LVC MOS
D12	sdrc_d22	0	IO	L	Z	0	vdds_mem	Yes	4 <sup>(6)</sup>	PU/ PD	LVC MOS
E13	sdrc_d23	0	IO	L	Z	0	vdds_mem	Yes	4 <sup>(6)</sup>	PU/ PD	LVC MOS
E15	sdrc_d24	0	IO	L	Z	0	vdds_mem	Yes	4 <sup>(6)</sup>	PU/ PD	LVC MOS
D15	sdrc_d25	0	IO	L	Z	0	vdds_mem	Yes	4 <sup>(6)</sup>	PU/ PD	LVC MOS
C15	sdrc_d26	0	IO	L	Z	0	vdds_mem	Yes	4 <sup>(6)</sup>	PU/ PD	LVC MOS
B16	sdrc_d27	0	IO	L	Z	0	vdds_mem	Yes	4 <sup>(6)</sup>	PU/ PD	LVC MOS
C16	sdrc_d28	0	IO	L	Z	0	vdds_mem	Yes	4 <sup>(6)</sup>	PU/ PD	LVC MOS
D16	sdrc_d29	0	IO	L	Z	0	vdds_mem	Yes	4 <sup>(6)</sup>	PU/ PD	LVC MOS
B17	sdrc_d30	0	IO	L	Z	0	vdds_mem	Yes	4 <sup>(6)</sup>	PU/ PD	LVC MOS
B18	sdrc_d31	0	IO	L	Z	0	vdds_mem	Yes	4 <sup>(8)</sup>	PU/ PD	LVC MOS
C18	sdrc_ba0	0	O	0	0	0	vdds_mem	NA	4 <sup>(6)</sup>	PU/ PD	LVC MOS
D18	sdrc_ba1	0	O	0	0	0	vdds_mem	NA	4 <sup>(6)</sup>	PU/ PD	LVC MOS
A4	sdrc_a0	0	O	0	0	0	vdds_mem	NA	4 <sup>(6)</sup>	PU/ PD	LVC MOS
B4	sdrc_a1	0	O	0	0	0	vdds_mem	NA	4 <sup>(8)</sup>	PU/ PD	LVC MOS
D6	sdrc_a2	0	O	0	0	0	vdds_mem	NA	4 <sup>(6)</sup>	PU/ PD	LVC MOS
B3	sdrc_a3	0	O	0	0	0	vdds_mem	NA	4 <sup>(6)</sup>	PU/ PD	LVC MOS
B2	sdrc_a4	0	O	0	0	0	vdds_mem	NA	4 <sup>(6)</sup>	PU/ PD	LVC MOS
C3	sdrc_a5	0	O	0	0	0	vdds_mem	NA	4 <sup>(6)</sup>	PU/ PD	LVC MOS
E3	sdrc_a6	0	O	0	0	0	vdds_mem	NA	4 <sup>(8)</sup>	PU/ PD	LVC MOS
F6	sdrc_a7	0	O	0	0	0	vdds_mem	NA	4 <sup>(6)</sup>	PU/ PD	LVC MOS
E10	sdrc_a8	0	O	0	0	0	vdds_mem	NA	4 <sup>(6)</sup>	PU/ PD	LVC MOS
E9	sdrc_a9	0	O	0	0	0	vdds_mem	NA	4 <sup>(6)</sup>	PU/ PD	LVC MOS
E7	sdrc_a10	0	O	0	0	0	vdds_mem	NA	4 <sup>(6)</sup>	PU/ PD	LVC MOS
G6	sdrc_a11	0	O	0	0	0	vdds_mem	NA	4 <sup>(6)</sup>	PU/ PD	LVC MOS
G7	sdrc_a12	0	O	0	0	0	vdds_mem	NA	4 <sup>(6)</sup>	PU/ PD	LVC MOS
F7	sdrc_a13	0	O	0	0	0	vdds_mem	NA	4 <sup>(6)</sup>	PU/ PD	LVC MOS
F9	sdrc_a14	0	O	0	0	0	vdds_mem	NA	4 <sup>(6)</sup>	PU/ PD	LVC MOS
A19	sdrc_ncs0	0	O	1	1	0	vdds_mem	NA	4 <sup>(6)</sup>	PU/ PD	LVC MOS
B19	sdrc_ncs1	0	O	1	1	0	vdds_mem	NA	4 <sup>(6)</sup>	PU/ PD	LVC MOS
A10	sdrc_clk	0	IO	L	0	0	vdds_mem	Yes	4 <sup>(6)</sup>	PU/ PD	LVC MOS
A11	sdrc_nclk	0	O	1	1	0	vdds_mem	NA	4 <sup>(6)</sup>	PU/ PD	LVC MOS
B20	sdrc_cke0	0	O	H	1	7	vdds_mem	NA	4 <sup>(6)</sup>	PU/ PD	LVC MOS
	safe_mode_out1 <sup>(9)</sup>	7									
C20	sdrc_cke1	0	O	H	1	7	vdds_mem	NA	4 <sup>(6)</sup>	PU/ PD	LVC MOS
	safe_mode_out1 <sup>(9)</sup>	7									
D19	sdrc_nras	0	O	1	1	0	vdds_mem	NA	4 <sup>(6)</sup>	PU/ PD	LVC MOS
C19	sdrc_ncas	0	O	1	1	0	vdds_mem	NA	4 <sup>(6)</sup>	PU/ PD	LVC MOS
A20	sdrc_nwe	0	O	1	1	0	vdds_mem	NA	4 <sup>(8)</sup>	PU/ PD	LVC MOS
B6	sdrc_dm0	0	O	0	0	0	vdds_mem	NA	4 <sup>(6)</sup>	PU/ PD	LVC MOS
B13	sdrc_dm1	0	O	0	0	0	vdds_mem	NA	4 <sup>(6)</sup>	PU/ PD	LVC MOS
A7	sdrc_dm2	0	O	0	0	0	vdds_mem	NA	4 <sup>(6)</sup>	PU/ PD	LVC MOS
A16	sdrc_dm3	0	O	0	0	0	vdds_mem	NA	4 <sup>(6)</sup>	PU/ PD	LVC MOS
A5	sdrc_dqs0	0	IO	L	Z	0	vdds_mem	Yes	4 <sup>(6)</sup>	PU/ PD	LVC MOS
A13	sdrc_dqs1	0	IO	L	Z	0	vdds_mem	Yes	4 <sup>(6)</sup>	PU/ PD	LVC MOS
A8	sdrc_dqs2	0	IO	L	Z	0	vdds_mem	Yes	4 <sup>(6)</sup>	PU/ PD	LVC MOS
A17	sdrc_dqs3	0	IO	L	Z	0	vdds_mem	Yes	4 <sup>(6)</sup>	PU/ PD	LVC MOS
K4	gpmc_a1	0	O	L	L	7	vdds_mem	Yes	8	PU/ PD	LVC MOS
	gpio_34	4	IO								
	safe_mode	7									
K3	gpmc_a2	0	O	L	L	7	vdds_mem	Yes	8	PU/ PD	LVC MOS

Table 2-3. Ball Characteristics (CUS Pkg.)<sup>(1)</sup> (continued)

BALL NUMBER [1]	PIN NAME [2]	MODE [3]	TYPE [4]	BALL RESET STATE [5]	BALL RESET REL. STATE [6]	RESET REL. MODE [7]	POWER [8]	HYS [9]	BUFFER STRENGTH (mA) [10]	PULLUP /DOWN TYPE [11]	IO CELL [12]
	gpio_35	4	IO								
	safe_mode	7									
K2	gpmc_a3	0	O	L	L	7	vdds_mem	Yes	8	PU/ PD	LVC MOS
	gpio_36	4	IO								
	safe_mode	7									
J4	gpmc_a4	0	O	L	L	7	vdds_mem	Yes	8	PU/ PD	LVC MOS
	gpio_37	4	IO								
	safe_mode	7									
J3	gpmc_a5	0	O	L	L	7	vdds_mem	Yes	8	PU/ PD	LVC MOS
	gpio_38	4	IO								
	safe_mode	7									
J2	gpmc_a6	0	O	H	H	7	vdds_mem	Yes	8	PU/ PD	LVC MOS
	gpio_39	4	IO								
	safe_mode	7									
J1	gpmc_a7	0	O	H	H	7	vdds_mem	Yes	8	PU/ PD	LVC MOS
	gpio_40	4	IO								
	safe_mode	7									
H1	gpmc_a8	0	O	H	H	7	vdds_mem	Yes	8	PU/ PD	LVC MOS
	gpio_41	4	IO								
	safe_mode	7									
H2	gpmc_a9	0	O	H	H	7	vdds_mem	Yes	8	PU/ PD	LVC MOS
	sys_ndmareq2	1	I								
	gpio_42	4	IO								
	safe_mode	7									
G2	gpmc_a10	0	O	H	H	7	vdds_mem	Yes	8	PU/ PD	LVC MOS
	sys_ndmareq3	1	I								
	gpio_43	4	IO								
	safe_mode	7									
L2	gpmc_d0	0	IO	H	H	0	vdds_mem	Yes	8	PU/ PD	LVC MOS
M1	gpmc_d1	0	IO	H	H	0	vdds_mem	Yes	8	PU/ PD	LVC MOS
M2	gpmc_d2	0	IO	H	H	0	vdds_mem	Yes	8	PU/ PD	LVC MOS
N2	gpmc_d3	0	IO	H	H	0	vdds_mem	Yes	8	PU/ PD	LVC MOS
M3	gpmc_d4	0	IO	H	H	0	vdds_mem	Yes	8	PU/ PD	LVC MOS
P1	gpmc_d5	0	IO	H	H	0	vdds_mem	Yes	8	PU/ PD	LVC MOS
P2	gpmc_d6	0	IO	H	H	0	vdds_mem	Yes	8	PU/ PD	LVC MOS
R1	gpmc_d7	0	IO	H	H	0	vdds_mem	Yes	8	PU/ PD	LVC MOS
R2	gpmc_d8	0	IO	H	H	0	vdds_mem	Yes	8	PU/ PD	LVC MOS
	gpio_44	4	IO								
	safe_mode	7									
T2	gpmc_d9	0	IO	H	H	0	vdds_mem	Yes	8	PU/ PD	LVC MOS
	gpio_45	4	IO								
	safe_mode	7									
U1	gpmc_d10	0	IO	H	H	0	vdds_mem	Yes	8	PU/ PD	LVC MOS
	gpio_46	4	IO								
	safe_mode	7									
R3	gpmc_d11	0	IO	H	H	0	vdds_mem	Yes	8	PU/ PD	LVC MOS
	gpio_47	4	IO								
	safe_mode	7									
T3	gpmc_d12	0	IO	H	H	0	vdds_mem	Yes	8	PU/ PD	LVC MOS
	gpio_48	4	IO								
	safe_mode	7									
U2	gpmc_d13	0	IO	H	H	0	vdds_mem	Yes	8	PU/ PD	LVC MOS
	gpio_49	4	IO								
	safe_mode	7									
V1	gpmc_d14	0	IO	H	H	0	vdds_mem	Yes	8	PU/ PD	LVC MOS

**Table 2-3. Ball Characteristics (CUS Pkg.)<sup>(1)</sup> (continued)**

BALL NUMBER [1]	PIN NAME [2]	MODE [3]	TYPE [4]	BALL RESET STATE [5]	BALL RESET REL. STATE [6]	RESET REL. MODE [7]	POWER [8]	HYS [9]	BUFFER STRENGTH (mA) [10]	PULLUP /DOWN TYPE [11]	IO CELL [12]
	gpio_50	4	IO								
	safe_mode	7									
V2	gpmc_d15	0	IO	H	H	0	vdds_mem	Yes	8	PU/ PD	LVC MOS
	gpio_51	4	IO								
	safe_mode	7									
E2	gpmc_ncs0	0	O	1	1	0	vdds_mem	NA	8	NA	LVC MOS
D2	gpmc_ncs3	0	O	H	H	7	vdds_mem	Yes	8	PU/ PD	LVC MOS
	sys_ndmareq0	1	I								
	gpio_54	4	IO								
	safe_mode	7									
F4	gpmc_ncs4	0	O	H	H	7	vdds_mem	Yes	8	PU/ PD	LVC MOS
	sys_ndmareq1	1	I								
	mcb sp4_clkx	2	IO								
	gpt_9_pwm_evt	3	IO								
	gpio_55	4	IO								
	safe_mode	7									
G5	gpmc_ncs5	0	O	H	H	7	vdds_mem	Yes	8	PU/ PD	LVC MOS
	sys_ndmareq2	1	I								
	mcb sp4_dr	2	I								
	gpt_10_pwm_evt	3	IO								
	gpio_56	4	IO								
	safe_mode	7									
F3	gpmc_ncs6	0	O	H	H	7	vdds_mem	Yes	8	PU/ PD	LVC MOS
	sys_ndmareq3	1	I								
	mcb sp4_dx	2	IO								
	gpt_11_pwm_evt	3	IO								
	gpio_57	4	IO								
	safe_mode	7									
G4	gpmc_ncs7	0	O	H	H	7	vdds_mem	Yes	8	PU/ PD	LVC MOS
	gpmc_io_dir	1	O								
	mcb sp4_fsx	2	IO								
	gpt_8_pwm_evt	3	IO								
	gpio_58	4	IO								
	safe_mode	7									
W2	gpmc_clk	0	O	L	0	0	vdds_mem	Yes	8	PU/ PD	LVC MOS
	gpio_59	4	IO								
	safe_mode	7									
F1	gpmc_nadv_ale	0	O	0	0	0	vdds_mem	NA	8	PU/ PD	LVC MOS
F2	gpmc_noe	0	O	1	1	0	vdds_mem	NA	8	PU/ PD	LVC MOS
G3	gpmc_nwe	0	O	1	1	0	vdds_mem	NA	8	PU/ PD	LVC MOS
K5	gpmc_nbe0_cle	0	O	L	0	0	vdds_mem	Yes	8	PU/ PD	LVC MOS
	gpio_60	4	IO								
	safe_mode	7									
L1	gpmc_nbe1	0	O	L	L	7	vdds_mem	Yes	8	PU/ PD	LVC MOS
	gpio_61	4	IO								
	safe_mode	7									
E1	gpmc_nwp	0	O	L	0	0	vdds_mem	Yes	8	PU/ PD	LVC MOS
	gpio_62	4	IO								
	safe_mode	7									
C1	gpmc_wait0	0	I	H	H	0	vdds_mem	Yes	NA	PU/ PD	LVC MOS
C2	gpmc_wait3	0	I	H	H	7	vdds_mem	Yes	8	PU/ PD	LVC MOS
	sys_ndmareq1	1	I								
	uart4_rx	2	I								
	gpio_65	4	IO								
	safe_mode	7									

Table 2-3. Ball Characteristics (CUS Pkg.)<sup>(1)</sup> (continued)

BALL NUMBER [1]	PIN NAME [2]	MODE [3]	TYPE [4]	BALL RESET STATE [5]	BALL RESET REL. STATE [6]	RESET REL. MODE [7]	POWER [8]	HYS [9]	BUFFER STRENGTH (mA) [10]	PULLUP /DOWN TYPE [11]	IO CELL [12]
G22	dss_pclk	0	O	H	H	7	vdds	Yes	8	PU/ PD	LVCMOS
	gpio_66	4	IO								
	hw_dbg12	5	O								
	safe_mode	7									
E22	dss_hsync	0	O	H	H	7	vdds	Yes	8	PU/ PD	LVCMOS
	gpio_67	4	IO								
	hw_dbg13	5	O								
	safe_mode	7									
F22	dss_vsync	0	O	H	H	7	vdds	Yes	8	PU/ PD	LVCMOS
	gpio_68	4	IO								
	safe_mode	7									
J21	dss_acbias	0	O	L	L	7	vdds	Yes	8	PU/ PD	LVCMOS
	gpio_69	4	IO								
	safe_mode	7									
AC19	dss_data0	0	IO	L	L	7	vdds	Yes	8	PU/ PD	LVCMOS
	uart1_cts	2	I						NA		
	gpio_70	4	IO						8		
	safe_mode	7							8		
AB19	dss_data1	0	IO	L	L	7	vdds	Yes	8	PU/ PD	LVCMOS
	uart1_rts	2	O						8		
	gpio_71	4	IO						8		
	safe_mode	7							8		
AD20	dss_data2	0	IO	L	L	7	vdds	Yes	8	PU/ PD	LVCMOS
	gpio_72	4	IO						8		
	safe_mode	7							8		
AC20	dss_data3	0	IO	L	L	7	vdds	Yes	8	PU/ PD	LVCMOS
	gpio_73	4	IO						8		
	safe_mode	7							8		
AD21	dss_data4	0	IO	L	L	7	vdds	Yes	8	PU/ PD	LVCMOS
	uart3_rx_irrx	2	I						NA		
	gpio_74	4	IO						8		
	safe_mode	7							8		
AC21	dss_data5	0	IO	L	L	7	vdds	Yes	8	PU/ PD	LVCMOS
	uart3_tx_irtx	2	O						8		
	gpio_75	4	IO						8		
	safe_mode	7							8		
D24	dss_data6	0	IO	L	L	7	vdds	Yes	8	PU/ PD	LVCMOS
	uart1_tx	2	O								
	gpio_76	4	IO								
	hw_dbg14	5	O								
	safe_mode	7									
E23	dss_data7	0	IO	L	L	7	vdds	Yes	8	PU/ PD	LVCMOS
	uart1_rx	2	I								
	gpio_77	4	IO								
	hw_dbg15	5	O								
	safe_mode	7									
E24	dss_data8	0	IO	L	L	7	vdds	Yes	8	PU/ PD	LVCMOS
	uart3_rx_irrx	2	I								
	gpio_78	4	IO								
	hw_dbg16	5	O								
	safe_mode	7									
F23	dss_data9	0	IO	L	L	7	vdds	Yes	8	PU/ PD	LVCMOS
	uart3_tx_irtx	2	O								
	gpio_79	4	IO								
	hw_dbg17	5	O								

**Table 2-3. Ball Characteristics (CUS Pkg.)<sup>(1)</sup> (continued)**

BALL NUMBER [1]	PIN NAME [2]	MODE [3]	TYPE [4]	BALL RESET STATE [5]	BALL RESET REL. STATE [6]	RESET REL. MODE [7]	POWER [8]	HYS [9]	BUFFER STRENGTH (mA) [10]	PULLUP /DOWN TYPE [11]	IO CELL [12]
	safe_mode	7									
AC22	dss_data10	0	IO	L	L	7	vdds	Yes	8	PU/ PD	LVC MOS
	gpio_80	4	IO								
	safe_mode	7									
AC23	dss_data11	0	IO	L	L	7	vdds	Yes	8	PU/ PD	LVC MOS
	gpio_81	4	IO								
	safe_mode	7									
AB22	dss_data12	0	IO	L	L	7	vdds	Yes	8	PU/ PD	LVC MOS
	gpio_82	4	IO								
	safe_mode	7									
Y22	dss_data13	0	IO	L	L	7	vdds	Yes	8	PU/ PD	LVC MOS
	gpio_83	4	IO								
	safe_mode	7									
W22	dss_data14	0	IO	L	L	7	vdds	Yes	8	PU/ PD	LVC MOS
	gpio_84	4	IO								
	safe_mode	7									
V22	dss_data15	0	IO	L	L	7	vdds	Yes	8	PU/ PD	LVC MOS
	gpio_85	4	IO								
	safe_mode	7									
J22	dss_data16	0	IO	L	L	7	vdds	Yes	8	PU/ PD	LVC MOS
	gpio_86	4	IO								
	safe_mode	7									
G23	dss_data17	0	IO	L	L	7	vdds	Yes	8	PU/ PD	LVC MOS
	gpio_87	4	IO								
	safe_mode	7									
G24	dss_data18	0	IO	L	L	7	vdds	Yes	8	PU/ PD	LVC MOS
	mcs pi3_clk	2	IO								
	dss_data0	3	IO								
	gpio_88	4	IO								
	safe_mode	7									
H23	dss_data19	0	IO	L	L	7	vdds	Yes	8	PU/ PD	LVC MOS
	mcs pi3_simo	2	IO								
	dss_data1	3	IO								
	gpio_89	4	IO								
	safe_mode	7									
D23	dss_data20	0	O	H	H	7	vdds	Yes	8	PU/ PD	LVC MOS
	mcs pi3_somi	2	IO								
	dss_data2	3	IO								
	gpio_90	4	IO								
	safe_mode	7									
K22	dss_data21	0	O	L	L	7	vdds	Yes	8	PU/ PD	LVC MOS
	mcs pi3_cs0	2	IO								
	dss_data3	3	IO								
	gpio_91	4	IO								
	safe_mode	7									
V21	dss_data22	0	O	L	L	7	vdds	Yes	8	PU/ PD	LVC MOS
	mcs pi3_cs1	2	O								
	dss_data4	3	IO								
	gpio_92	4	IO								
	safe_mode	7									
W21	dss_data23	0	O	L	L	7	vdds	Yes	8	PU/ PD	LVC MOS
	dss_data5	3	IO								
	gpio_93	4	IO								
	safe_mode	7									
AA23	cvideo2_out	0	AO	0	0	0	vdda_dac	NA	NA <sup>(6)</sup>	NA	10-bit DAC

Table 2-3. Ball Characteristics (CUS Pkg.)<sup>(1)</sup> (continued)

BALL NUMBER [1]	PIN NAME [2]	MODE [3]	TYPE [4]	BALL RESET STATE [5]	BALL RESET REL. STATE [6]	RESET REL. MODE [7]	POWER [8]	HYS [9]	BUFFER STRENGTH (mA) [10]	PULLUP /DOWN TYPE [11]	IO CELL [12]
AB24	cvideo1_out	0	AO	0	0	0	vdda_dac	NA	NA <sup>(6)</sup>	NA	10-bit DAC
AB23	cvideo1_vfb	0	AO	0	NA	0	vdda_dac	NA	NA <sup>(7)</sup>	NA	10-bit DAC
Y23	cvideo2_vfb	0	AO	0	NA	0	vdda_dac	NA	NA <sup>(7)</sup>	NA	10-bit DAC
Y24	cvideo1_rset	0	AIO	0	NA	0	vdda_dac	No	NA	NA	10-bit DAC
A22	cam_hs	0	IO	L	L	7	vdds	Yes	4	PU/ PD	LVCMOS
	gpio_94	4	IO								
	hw_dbg0	5	O								
	safe_mode	7									
E18	cam_vs	0	IO	L	L	7	vdds	Yes	4	PU/ PD	LVCMOS
	gpio_95	4	IO								
	hw_dbg1	5	O								
	safe_mode	7									
B22	cam_xclka	0	O	L	L	7	vdds	Yes	4	PU/ PD	LVCMOS
	gpio_96	4	IO								
	safe_mode	7									
J19	cam_pclk	0	I	L	L	7	vdds	Yes	4	PU/ PD	LVCMOS
	gpio_97	4	IO								
	hw_dbg2	5	O								
	safe_mode	7									
H24	cam_fid	0	IO	L	L	7	vdds	Yes	4	PU/ PD	LVCMOS
	cam_global_reset	2	IO								
	hw_dbg3	5	O								
	gpio_98	4	IO								
	safe_mode	7									
AB18	cam_d0	0	I	L	L	7	vdds	Yes	NA	PU/ PD	LVCMOS
	gpio_99	4	I								
	safe_mode	7									
AC18	cam_d1	0	I	L	L	7	vdds	Yes	NA	PU/ PD	LVCMOS
	gpio_100	4	I								
	safe_mode	7									
G19	cam_d2	0	I	L	L	7	vdds	Yes	8	PU/ PD	LVCMOS
	gpio_101	4	IO								
	hw_dbg4	5	O								
	safe_mode	7									
F19	cam_d3	0	I	L	L	7	vdds	Yes	8	PU/ PD	LVCMOS
	gpio_102	4	IO								
	hw_dbg5	5	O								
	safe_mode	7									
G20	cam_d4	0	I	L	L	7	vdds	Yes	8	PU/ PD	LVCMOS
	gpio_103	4	IO								
	hw_dbg6	5	O								
	safe_mode	7									
B21	cam_d5	0	I	L	L	7	vdds	Yes	8	PU/ PD	LVCMOS
	gpio_104	4	IO								
	hw_dbg7	5	O								
	safe_mode	7									
L24	cam_d6	0	I	L	L	7	vdds	Yes	NA	PU/ PD	LVCMOS
	gpio_105	4	I								
	safe_mode	7									
K24	cam_d7	0	I	L	L	7	vdds	Yes	NA	PU/ PD	LVCMOS
	gpio_106	4	I								
	safe_mode	7									
J23	cam_d8	0	I	L	L	7	vdds	Yes	NA	PU/ PD	LVCMOS
	gpio_107	4	I								
	safe_mode	7									

**Table 2-3. Ball Characteristics (CUS Pkg.)<sup>(1)</sup> (continued)**

BALL NUMBER [1]	PIN NAME [2]	MODE [3]	TYPE [4]	BALL RESET STATE [5]	BALL RESET REL. STATE [6]	RESET REL. MODE [7]	POWER [8]	HYS [9]	BUFFER STRENGTH (mA) [10]	PULLUP /DOWN TYPE [11]	IO CELL [12]
K23	cam_d9	0	I	L	L	7	vdds	Yes	NA	PU/ PD	LVC MOS
	gpio_108	4	I								
	safe_mode	7									
F21	cam_d10	0	I	L	L	7	vdds	Yes	8	PU/ PD	LVC MOS
	gpio_109	4	IO								
	hw_dbg8	5	O								
	safe_mode	7									
G21	cam_d11	0	I	L	L	7	vdds	Yes	8	PU/ PD	LVC MOS
	gpio_110	4	IO								
	hw_dbg9	5	O								
	safe_mode	7									
C22	cam_xclkb	0	O	L	L	7	vdds	Yes	4	PU/ PD	LVC MOS
	gpio_111	4	IO								
	safe_mode	7									
F18	cam_wen	0	I	L	L	7	vdds	Yes	4	PU/ PD	LVC MOS
	cam_shutter	2	O								
	gpio_167	4	IO								
	hw_dbg10	5	O								
	safe_mode	7									
J20	cam_strobe	0	O	L	L	7	vdds	Yes	4	PU/ PD	LVC MOS
	gpio_126	4	IO								
	hw_dbg11	5	O								
	safe_mode	7									
V20	mcbsp2_fsx	0	IO	L	L	7	vdds	Yes	4	PU/ PD	LVC MOS
	gpio_116	4	IO								
	safe_mode	7									
T21	mcbsp2_clkx	0	IO	L	L	7	vdds	Yes	4	PU/ PD	LVC MOS
	gpio_117	4	IO								
	safe_mode	7									
V19	mcbsp2_dr	0	I	L	L	7	vdds	Yes	4	PU/ PD	LVC MOS
	gpio_118	4	IO								
	safe_mode	7									
R20	mcbsp2_dx	0	IO	L	L	7	vdds	Yes	4	PU/ PD	LVC MOS
	gpio_119	4	IO								
	safe_mode	7									
M23	mmc1_cik	0	O	L	L	7	vdds_mmc1 <sup>(1)</sup> <sub>4</sub>	Yes	1	PU/ PD <sup>(4)</sup>	LVC MOS
	gpio_120 <sup>(5)</sup>	4	IO								
	safe_mode	7									
L23	mmc1_cmd	0	IO	L	L	7	vdds_mmc1 <sup>(1)</sup> <sub>4</sub>	Yes	1	PU/ PD <sup>(4)</sup>	LVC MOS
	gpio_121 <sup>(5)</sup>	4	IO								
	safe_mode	7									
M22	mmc1_dat0	0	IO	L	L	7	vdds_mmc1 <sup>(1)</sup> <sub>4</sub>	Yes	1	PU/ PD <sup>(4)</sup>	LVC MOS
	gpio_122 <sup>(5)</sup>	4	IO								
	safe_mode	7									
M21	mmc1_dat1	0	IO	L	L	7	vdds_mmc1 <sup>(1)</sup> <sub>4</sub>	Yes	1	PU/ PD <sup>(4)</sup>	LVC MOS
	gpio_123 <sup>(5)</sup>	4	IO								
	safe_mode	7									
M20	mmc1_dat2	0	IO	L	L	7	vdds_mmc1 <sup>(1)</sup> <sub>4</sub>	Yes	1	PU/ PD <sup>(4)</sup>	LVC MOS
	gpio_124 <sup>(5)</sup>	4	IO								
	safe_mode	7									
N23	mmc1_dat3	0	IO	L	L	7	vdds_mmc1 <sup>(1)</sup> <sub>4</sub>	Yes	1	PU/ PD <sup>(4)</sup>	LVC MOS

Table 2-3. Ball Characteristics (CUS Pkg.)<sup>(1)</sup> (continued)

BALL NUMBER [1]	PIN NAME [2]	MODE [3]	TYPE [4]	BALL RESET STATE [5]	BALL RESET REL. STATE [6]	RESET REL. MODE [7]	POWER [8]	HYS [9]	BUFFER STRENGTH (mA) [10]	PULLUP /DOWN TYPE [11]	IO CELL [12]
	gpio_125 <sup>(5)</sup>	4	IO								
	safe_mode	7									
N22	gpio_126 <sup>(5)</sup>	4	IO	L	L	7	vdds_x	Yes	1	PU/ PD <sup>(4)</sup>	LVCMOS
	safe_mode	7									
P24	gpio_129 <sup>(5)</sup>	4	IO	L	L	7	vdds_x	Yes	1	PU/ PD <sup>(4)</sup>	LVCMOS
	safe_mode	7									
Y1	mmc2_clk	0	O	L	L	7	vdds	Yes	4	PU/ PD	LVCMOS
	mcspi3_clk	1	IO								
	gpio_130	4	IO								
	safe_mode	7									
AB5	mmc2_cmd	0	IO	H	H	7	vdds	Yes	4	PU/ PD	LVCMOS
	mcspi3_simo	1	IO								
	gpio_131	4	IO								
	safe_mode	7									
AB3	mmc2_dat0	0	IO	H	H	7	vdds	Yes	4	PU/ PD	LVCMOS
	mcspi3_somi	1	IO								
	gpio_132	4	IO								
	safe_mode	7									
Y3	mmc2_dat1	0	IO	H	H	7	vdds	Yes	4	PU/ PD	LVCMOS
	gpio_133	4	IO								
	safe_mode	7									
W3	mmc2_dat2	0	IO	H	H	7	vdds	Yes	4	PU/ PD	LVCMOS
	mcspi3_cs1	1	O								
	gpio_134	4	IO								
	safe_mode	7									
V3	mmc2_dat3	0	IO	H	H	7	vdds	Yes	4	PU/ PD	LVCMOS
	mcspi3_cs0	1	IO								
	gpio_135	4	IO								
	safe_mode	7									
AB2	mmc2_dat4	0	IO	L	L	7	vdds	Yes	4	PU/ PD	LVCMOS
	mmc2_dir_dat0	1	O								
	mmc3_dat0	3	IO								
	gpio_136	4	IO								
	safe_mode	7									
AA2	mmc2_dat5	0	IO	L	L	7	vdds	Yes	4	PU/ PD	LVCMOS
	mmc2_dir_dat1	1	O								
	cam_global_reset	2	IO								
	mmc3_dat1	3	IO								
	gpio_137	4	IO								
	mm3_rxdp	6	IO								
	safe_mode	7									
Y2	mmc2_dat6	0	IO	L	L	7	vdds	Yes	4	PU/ PD	LVCMOS
	mmc2_dir_cmd	1	O								
	cam_shutter	2	O								
	mmc3_dat2	3	IO								
	gpio_138	4	IO								
	safe_mode	7									
AA1	mmc2_dat7	0	IO	L	L	7	vdds	Yes	4	PU/ PD	LVCMOS
	mmc2_clklin	1	I								
	mmc3_dat3	3	IO								
	gpio_139	4	IO								
	mm3_rxdm	6	IO								
	safe_mode	7									
V6	mcbasp3_dx	0	IO	L	L	7	vdds	Yes	4	PU/ PD	LVCMOS
	uart2_cts	1	I								



**Table 2-3. Ball Characteristics (CUS Pkg.)<sup>(1)</sup> (continued)**

BALL NUMBER [1]	PIN NAME [2]	MODE [3]	TYPE [4]	BALL RESET STATE [5]	BALL RESET REL. STATE [6]	RESET REL. MODE [7]	POWER [8]	HYS [9]	BUFFER STRENGTH (mA) [10]	PULLUP /DOWN TYPE [11]	IO CELL [12]
	gpio_140	4	IO								
	safe_mode	7									
V5	mcbsp3_dr	0	I	L	L	7	vdds	Yes	4	PU/ PD	LVC MOS
	uart2_rts	1	O								
	gpio_141	4	IO								
	safe_mode	7									
W4	mcbsp3_clkx	0	IO	L	L	7	vdds	Yes	4	PU/ PD	LVC MOS
	uart2_tx	1	O								
	gpio_142	4	IO								
	safe_mode	7									
V4	mcbsp3_fsx	0	IO	L	L	7	vdds	Yes	4	PU/ PD	LVC MOS
	uart2_rx	1	I								
	gpio_143	4	IO								
	safe_mode	7									
W7	uart1_tx	0	O	L	L	7	vdds	Yes	4	PU/ PD	LVC MOS
	gpio_148	4	IO								
	safe_mode	7									
W6	uart1_rts	0	O	L	L	7	vdds	Yes	4	PU/ PD	LVC MOS
	gpio_149	4	IO								
	safe_mode	7									
AC2	uart1_cts	0	I	L	L	7	vdds	Yes	4	PU/ PD	LVC MOS
	gpio_150	4	IO								
	safe_mode	7									
V7	uart1_rx	0	I	L	L	7	vdds	Yes	4	PU/ PD	LVC MOS
	mcbsp1_clk	2	IO								
	mcs pi4_clk	3	IO								
	gpio_151	4	IO								
	safe_mode	7									
W19	mcbsp1_clk	0	IO	L	L	7	vdds	Yes	4	PU/ PD	LVC MOS
	mcs pi4_clk	1	IO								
	gpio_156	4	IO								
	safe_mode	7									
AB20	mcbsp1_fsr	0	IO	L	L	7	vdds	Yes	4	PU/ PD	LVC MOS
	cam_global_reset	2	IO								
	gpio_157	4	IO								
	safe_mode	7									
W18	mcbsp1_dx	0	IO	L	L	7	vdds	Yes	4	PU/ PD	LVC MOS
	mcs pi4_simo	1	IO								
	mcbsp3_dx	2	IO								
	gpio_158	4	IO								
	safe_mode	7									
Y18	mcbsp1_dr	0	I	L	L	7	vdds	Yes	4	PU/ PD	LVC MOS
	mcs pi4_somi	1	IO								
	mcbsp3_dr	2	I								
	gpio_159	4	IO								
	safe_mode	7									
AA18	mcbsp_clks	0	I	L	L	7	vdds	Yes	4	PU/ PD	LVC MOS
	cam_shutter	2	O								
	gpio_160	4	IO								
	uart1_cts	5	I								
	safe_mode	7									
AA19	mcbsp1_fsx	0	IO	L	L	7	vdds	Yes	4	PU/ PD	LVC MOS
	mcs pi4_cs0	1	IO								
	mcbsp3_fsx	2	IO								
	gpio_161	4	IO								

Table 2-3. Ball Characteristics (CUS Pkg.)<sup>(1)</sup> (continued)

BALL NUMBER [1]	PIN NAME [2]	MODE [3]	TYPE [4]	BALL RESET STATE [5]	BALL RESET REL. STATE [6]	RESET REL. MODE [7]	POWER [8]	HYS [9]	BUFFER STRENGTH (mA) [10]	PULLUP /DOWN TYPE [11]	IO CELL [12]
	safe_mode	7									
V18	mcbsp1_clkx	0	IO	L	L	7	vdds	Yes	4	PU/ PD	LVCMOS
	mcbsp3_clkx	2	IO								
	gpio_162	4	IO								
	safe_mode	7									
A23	uart3_cts_rctx	0	IO	H	H	7	vdds	Yes	4	PU/ PD	LVCMOS
	gpio_163	4	IO								
	safe_mode	7									
B23	uart3_rts_sd	0	O	H	H	7	vdds	Yes	4	PU/ PD	LVCMOS
	gpio_164	4	IO								
	safe_mode	7									
B24	uart3_rx_irrx	0	I	H	H	7	vdds	Yes	4	PU/ PD	LVCMOS
	gpio_165	4	IO								
	safe_mode	7									
C23	uart3_tx_irtx	0	O	H	H	7	vdds	Yes	4	PU/ PD	LVCMOS
	gpio_166	4	IO								
	safe_mode	7									
R21	hsusb0_clk	0	I	L	L	7	vdds	Yes	8	PU/ PD	LVCMOS
	gpio_120	4	IO								
	safe_mode	7									
R23	hsusb0_stp	0	O	H	H	7	vdds	Yes	4	PU/ PD	LVCMOS
	gpio_121	4	IO								
	safe_mode	7									
P23	hsusb0_dir	0	I	L	L	7	vdds	Yes	4	PU/ PD	LVCMOS
	gpio_122	4	IO								
	safe_mode	7									
R22	hsusb0_nxt	0	I	L	L	7	vdds	Yes	4	PU/ PD	LVCMOS
	gpio_124	4	IO								
	safe_mode	7									
T24	hsusb0_data0	0	IO	L	L	7	vdds	Yes	4	PU/ PD	LVCMOS
	uart3_tx_irtx	2	O								
	gpio_125	4	IO								
	uart2_tx	5	O								
	safe_mode	7									
T23	hsusb0_data1	0	IO	L	L	7	vdds	Yes	4	PU/ PD	LVCMOS
	uart3_rx_irrx	2	I								
	gpio_130	4	IO								
	uart2_rx	5	I								
	safe_mode	7									
U24	hsusb0_data2	0	IO	L	L	7	vdds	Yes	4	PU/ PD	LVCMOS
	uart3_rts_sd	2	O								
	gpio_131	4	IO								
	uart2_rts	5	O								
	safe_mode	7									
U23	hsusb0_data3	0	IO	L	L	7	vdds	Yes	4	PU/ PD	LVCMOS
	uart3_cts_rctx	2	IO								
	gpio_169	4	IO								
	uart2_cts	5	I								
	safe_mode	7									
W24	hsusb0_data4	0	IO	L	L	7	vdds	Yes	4	PU/ PD	LVCMOS
	gpio_188	4	IO								
	safe_mode	7									
V23	hsusb0_data5	0	IO	L	L	7	vdds	Yes	4	PU/ PD	LVCMOS
	gpio_189	4	IO								
	safe_mode	7									

**Table 2-3. Ball Characteristics (CUS Pkg.)<sup>(1)</sup> (continued)**

BALL NUMBER [1]	PIN NAME [2]	MODE [3]	TYPE [4]	BALL RESET STATE [5]	BALL RESET REL. STATE [6]	RESET REL. MODE [7]	POWER [8]	HYS [9]	BUFFER STRENGTH (mA) [10]	PULLUP /DOWN TYPE [11]	IO CELL [12]
W23	hsusb0_data6	0	IO	L	L	7	vdds	Yes	4	PU/ PD	LVCMOS
	gpio_190	4	IO								
	safe_mode	7									
T22	hsusb0_data7	0	IO	L	L	7	vdds	Yes	4	PU/ PD	LVCMOS
	gpio_191	4	IO								
	safe_mode	7									
K20	i2c1_scl	0	OD	H	H	0	vdds	NA	3	PU/ PD <sup>(10)(11)</sup>	Open Drain
K21	i2c1_sda	0	IOD	H	H	0	vdds	Yes	3	PU/ PD <sup>(10)(11)</sup>	Open Drain
AC15	i2c2_scl	0	OD	H	H	7	vdds	Yes	3	PU/ PD <sup>(10)(12)</sup>	Open Drain
	gpio_168	4	IO								
	safe_mode	7									
AC14	i2c2_sda	0	IOD	H	H	7	vdds	Yes	3	PU/ PD <sup>(10)(12)</sup>	Open Drain
	gpio_183	4	IO								
	safe_mode	7									
AC13	i2c3_scl	0	OD	H	H	7	vdds	Yes	3	PU/ PD <sup>(10)(12)</sup>	Open Drain
	gpio_184	4	IO								
	safe_mode	7									
AC12	i2c3_sda	0	IOD	H	H	7	vdds	Yes	3	PU/ PD <sup>(10)(12)</sup>	Open Drain
	gpio_185	4	IO								
	safe_mode	7									
Y16	i2c4_scl	0	OD	H	H	0	vdds	Yes	3	PU/ PD <sup>(10)(11)</sup>	Open Drain
	sys_nvmode1	1	O								
	safe_mode	7									
Y15	i2c4_sda	0	IOD	H	H	0	vdds	Yes	3	PU/ PD <sup>(10)(11)</sup>	Open Drain
	sys_nvmode2	1	O								
	safe_mode	7									
A24	hdq_sio	0	IOD	H	H	7	vdds	Yes	4	PU/ PD	LVCMOS
	sys_altclk	1	I								
	i2c2_sccbe	2	OD								
	i2c3_sccbe	3	OD								
	gpio_170	4	IO								
	safe_mode	7									
T5	mcspi1_clk	0	IO	L	L	7	vdds	Yes	4	PU/ PD	LVCMOS
	mmc2_dat4	1	IO								
	gpio_171	4	IO								
	safe_mode	7									
R4	mcspi1_simo	0	IO	L	L	7	vdds	Yes	4	PU/ PD	LVCMOS
	mmc2_dat5	1	IO								
	gpio_172	4	IO								
	safe_mode	7									
T4	mcspi1_somi	0	IO	L	L	7	vdds	Yes	4	PU/ PD	LVCMOS
	mmc2_dat6	1	IO								
	gpio_173	4	IO								
	safe_mode	7									
T6	mcspi1_cs0	0	IO	H	H	7	vdds	Yes	4	PU/ PD	LVCMOS
	mmc2_dat7	1	IO								
	gpio_174	4	IO								
	safe_mode	7									
R5	mcspi1_cs3	0	O	H	H	7	vdds	Yes	4	PU/ PD	LVCMOS
	hsusb2_data2	3	IO								
	gpio_177	4	IO								
	mm2_txd	5	IO								
	safe_mode	7									
N5	mcspi2_clk	0	IO	L	L	7	vdds	Yes	4	PU/ PD	LVCMOS
	hsusb2_data7	3	IO								

**Table 2-3. Ball Characteristics (CUS Pkg.)<sup>(1)</sup> (continued)**

BALL NUMBER [1]	PIN NAME [2]	MODE [3]	TYPE [4]	BALL RESET STATE [5]	BALL RESET REL. STATE [6]	RESET REL. MODE [7]	POWER [8]	HYS [9]	BUFFER STRENGTH (mA) [10]	PULLUP /DOWN TYPE [11]	IO CELL [12]
	gpio_178	4	IO								
	safe_mode	7									
N4	mcspi2_simo	0	IO	L	L	7	vdds	Yes	4	PU/ PD	LVC MOS
	gpt_9_pwm_evt	1	IO								
	hsusb2_data4	3	IO								
	gpio_179	4	IO								
	safe_mode	7									
N3	mcspi2_somi	0	IO	L	L	7	vdds	Yes	4	PU/ PD	LVC MOS
	gpt_10_pwm_evt	1	IO								
	hsusb2_data5	3	IO								
	gpio_180	4	IO								
	safe_mode	7									
M5	mcspi2_cs0	0	IO	H	H	7	vdds	Yes	4	PU/ PD	LVC MOS
	gpt_11_pwm_evt	1	IO								
	hsusb2_data6	3	IO								
	gpio_181	4	IO								
	safe_mode	7									
M4	mcspi2_cs1	0	O	L	L	7	vdds	Yes	4	PU/ PD	LVC MOS
	gpt_8_pwm_evt	1	IO								
	hsusb2_data3	3	IO								
	gpio_182	4	IO								
	mm2_txen_n	5	IO								
	safe_mode	7									
AA16	sys_32k	0	I	Z	Z	0	vdds	Yes	NA	PU/ PD	LVC MOS
AD15	sys_xtalin	0	AI	Z	Z	0	vdds	Yes	NA	No	Analog
AD14	sys_xtalout	0	AO	Z	0	0	vdds	NA	NA	NA	Analog
Y13	sys_clkreq	0	IO	0	see (3)	0	vdds	Yes	4	PU/ PD	LVC MOS
	gpio_1	4	IO								
	safe_mode	7									
W16	sys_nirq	0	I	H	H	7	vdds	Yes	4	PU/ PD	LVC MOS
	gpio_0	4	IO								
	safe_mode	7									
AA10	sys_nrespwron	0	I	Z	Z	0	vdds	Yes	NA	No	LVC MOS
Y10	sys_nreswarm	0	IOD	0	H	0	vdds	Yes	4	PU/ PD	LVC MOS
	gpio_30	4	IO								
	safe_mode	7									
AB12	sys_boot0	0	I	Z	Z	0	vdds	Yes	8	PU/ PD	LVC MOS
	dss_data18	3	IO								
	gpio_2	4	IO								
	safe_mode	7									
AC16	sys_boot1	0	I	Z	Z	0	vdds	Yes	8	PU/ PD	LVC MOS
	dss_data19	3	IO								
	gpio_3	4	IO								
	safe_mode	7									
AD17	sys_boot2	0	I	Z	Z	0	vdds	Yes	8	PU/ PD	LVC MOS
	gpio_4	4	IO								
	safe_mode	7									
AD18	sys_boot3	0	I	Z	Z	0	vdds	Yes	8	PU/ PD	LVC MOS
	dss_data20	3	O								
	gpio_5	4	IO								
	safe_mode	7									
AC17	sys_boot4	0	I	Z	Z	0	vdds	Yes	8	PU/ PD	LVC MOS
	mmc2_dir_dat2	1	O								
	dss_data21	3	O								
	gpio_6	4	IO								

**Table 2-3. Ball Characteristics (CUS Pkg.)<sup>(1)</sup> (continued)**

BALL NUMBER [1]	PIN NAME [2]	MODE [3]	TYPE [4]	BALL RESET STATE [5]	BALL RESET REL. STATE [6]	RESET REL. MODE [7]	POWER [8]	HYS [9]	BUFFER STRENGTH (mA) [10]	PULLUP /DOWN TYPE [11]	IO CELL [12]
	safe_mode	7									
AB16	sys_boot5	0	I	Z	Z	0	vdds	Yes	8	PU/ PD	LVC MOS
	mmc2_dir_dat3	1	O								
	dss_data22	3	O								
	gpio_7	4	IO								
	safe_mode	7									
AA15	sys_boot6	0	I	Z	Z	0	vdds	Yes	8	PU/ PD	LVC MOS
	dss_data23	3	O								
	gpio_8	4	IO								
	safe_mode	7									
AD23	sys_off_mode	0	O	0	L	7	vdds	Yes	4	PU/ PD	LVC MOS
	gpio_9	4	IO								
	safe_mode	7									
Y7	sys_clkout1	0	O	L	L	7 <sup>(13)</sup>	vdds	Yes	4	PU/ PD	LVC MOS
	gpio_10	4	IO								
	safe_mode	7									
AA6	sys_clkout2	0	O	L	L	7	vdds	Yes	4	PU/ PD	LVC MOS
	gpio_186	4	IO								
	safe_mode	7									
AB7	jtag_nrst	0	I	L	L	0	vdds	Yes	NA	PU/ PD	LVC MOS
AB6	jtag_tck	0	I	L	L	0	vdds	Yes	NA	PU/ PD	LVC MOS
AA7	jtag_rtck	0	O	L	0	0	vdds	NA	4	PU/ PD	LVC MOS
AA9	jtag_tms_tmsc	0	IO	H	H	0	vdds	Yes	4	PU/ PD	LVC MOS
AB10	jtag_tdi	0	I	H	H	0	vdds	Yes	NA	PU/ PD	LVC MOS
AB9	jtag_tdo	0	O	L	Z	0	vdds	NA	4	PU/ PD	LVC MOS
AC24	jtag_emu0	0	IO	H	H	0	vdds	Yes	4	PU/ PD	LVC MOS
	gpio_11	4	IO								
	safe_mode	7									
AD24	jtag_emu1	0	IO	H	H	0	vdds	Yes	4	PU/ PD	LVC MOS
	gpio_31	4	IO								
	safe_mode	7									
AC1	etk_clk	0	O	H	H	4	vdds	Yes	4	PU/ PD	LVC MOS
	mcbasp5_clkx	1	IO								
	mmc3_clk	2	O								
	hsusb1_stp	3	O								
	gpio_12	4	IO								
	mm1_rxdp	5	IO								
	hw_dbg0	7	O								
AD3	etk_ctl	0	O	H	H	4	vdds	Yes	4	PU/ PD	LVC MOS
	mmc3_cmd	2	IO								
	hsusb1_clk	3	O								
	gpio_13	4	IO								
	hw_dbg1	7	O								
AD6	etk_d0	0	O	H	H	4	vdds	Yes	4	PU/ PD	LVC MOS
	mcs pi3_simo	1	IO								
	mmc3_dat4	2	IO								
	hsusb1_data0	3	IO								
	gpio_14	4	IO								
	mm1_rxcv	5	IO								
hw_dbg2	7	O									
AC6	etk_d1	0	O	H	H	4	vdds	Yes	4	PU/ PD	LVC MOS
	mcs pi3_somi	1	IO								
	hsusb1_data1	3	IO								
	gpio_15	4	IO								
	mm1_txse0	5	IO								

**Table 2-3. Ball Characteristics (CUS Pkg.)<sup>(1)</sup> (continued)**

BALL NUMBER [1]	PIN NAME [2]	MODE [3]	TYPE [4]	BALL RESET STATE [5]	BALL RESET REL. STATE [6]	RESET REL. MODE [7]	POWER [8]	HYS [9]	BUFFER STRENGTH (mA) [10]	PULLUP /DOWN TYPE [11]	IO CELL [12]
	hw_dbg3	7	O								
AC7	etk_d2	0	O	H	H	4	vdds	Yes	4	PU/ PD	LVCMOS
	mcspi3_cs0	1	IO								
	hsusb1_data2	3	IO								
	gpio_16	4	IO								
	mm1_txdm	5	IO								
	hw_dbg4	7	O								
AD8	etk_d3	0	O	H	H	4	vdds	Yes	4	PU/ PD	LVCMOS
	mcspi3_clk	1	IO								
	mmc3_dat3	2	IO								
	hsusb1_data7	3	IO								
	gpio_17	4	IO								
	hw_dbg5	7	O								
AC5	etk_d4	0	O	L	L	4	vdds	Yes	4	PU/ PD	LVCMOS
	mcbasp5_dr	1	I								
	mmc3_dat0	2	IO								
	hsusb1_data4	3	IO								
	gpio_18	4	IO								
	hw_dbg6	7	O								
AD2	etk_d5	0	O	L	L	4	vdds	Yes	4	PU/ PD	LVCMOS
	mcbasp5_fsx	1	IO								
	mmc3_dat1	2	IO								
	hsusb1_data5	3	IO								
	gpio_19	4	IO								
	hw_dbg7	7	O								
AC8	etk_d6	0	O	L	L	4	vdds	Yes	4	PU/ PD	LVCMOS
	mcbasp5_dx	1	O								
	mmc3_dat2	2	IO								
	hsusb1_data6	3	IO								
	gpio_20	4	IO								
	hw_dbg8	7	O								
AD9	etk_d7	0	O	L	L	4	vdds	Yes	4	PU/ PD	LVCMOS
	mcspi3_cs1	1	O								
	mmc3_dat7	2	IO								
	hsusb1_data3	3	IO								
	gpio_21	4	IO								
	mm1_txen_n	5	IO								
hw_dbg9	7	O									
AC4	etk_d8	0	O	L	L	4	vdds	Yes	4	PU/ PD	LVCMOS
	mmc3_dat6	2	IO								
	hsusb1_dir	3	I								
	gpio_22	4	IO								
	hw_dbg10	7	O								
AD5	etk_d9	0	O	L	L	4	vdds	Yes	4	PU/ PD	LVCMOS
	mmc3_dat5	2	IO								
	hsusb1_nxt	3	I								
	gpio_23	4	IO								
	mm1_rxdm	5	IO								
	hw_dbg11	7	O								
AC3	etk_d10	0	O	L	L	4	vdds	Yes	4	PU/ PD	LVCMOS
	uart1_rx	2	I								
	hsusb2_clk	3	O								
	gpio_24	4	IO								
	hw_dbg12	7	O								
AC9	etk_d11	0	O	L	L	4	vdds	Yes	4	PU/ PD	LVCMOS

**Table 2-3. Ball Characteristics (CUS Pkg.)<sup>(1)</sup> (continued)**

BALL NUMBER [1]	PIN NAME [2]	MODE [3]	TYPE [4]	BALL RESET STATE [5]	BALL RESET REL. STATE [6]	RESET REL. MODE [7]	POWER [8]	HYS [9]	BUFFER STRENGTH (mA) [10]	PULLUP /DOWN TYPE [11]	IO CELL [12]
	hsusb2_stp	3	O								
	gpio_25	4	IO								
	mm2_rxdp	5	IO								
	hw_dbg13	7	O								
AC10	etk_d12	0	O	L	L	4	vdds	Yes	4	PU/ PD	LVCMOS
	hsusb2_dir	3	I								
	gpio_26	4	IO								
	hw_dbg14	7	O								
AD11	etk_d13	0	O	L	L	4	vdds	Yes	4	PU/ PD	LVCMOS
	hsusb2_nxt	3	I								
	gpio_27	4	IO								
	mm2_rxdm	5	IO								
	hw_dbg15	7	O								
AC11	etk_d14	0	O	L	L	4	vdds	Yes	4	PU/ PD	LVCMOS
	hsusb2_data0	3	IO								
	gpio_28	4	IO								
	mm2_rxcv	5	IO								
	hw_dbg16	7	O								
AD12	etk_d15	0	O	L	L	4	vdds	Yes	4	PU/ PD	LVCMOS
	hsusb2_data1	3	IO								
	gpio_29	4	IO								
	mm2_txse0	5	IO								
	hw_dbg17	7	O								
E16, F15, F16, G15, G16, H15, J6, J7, J8, K6, K7, K8	vdds_mem	0	PWR	-	-	-	-	-	-	-	-
F12, F13, G12, G13, H12, H13, J17, J18, K17, K18, K19, L14, L15, M14, M15, R17, R18, R19, T17, T18, T19, T20	vdd_core	0	PWR	-	-	-	-	-	-	-	-
F10, G9, G10, H9, H10, J9, J10, L11, L12, M6, M7, M8, M12, N6, N7, N8, R6, R7, R8, T7, T8, U12, U13, V12, V13, W12, W13	vdd_mpu_iva	0	PWR	-	-	-	-	-	-	-	-
H8	vdds_x	0	PWR	-	-	-	-	-	-	-	-
M17, M18, M19, N17, N18, N19, U10, V9, V10, W9, W10, Y9	vdds	0	PWR	-	-	-	-	-	-	-	-
N24	vdds_mmc1	0	PWR	-	-	-	-	-	-	-	-
Y12	cap_vddu_wkup_logic	0	PWR	-	-	-	-	-	-	-	-
U8	cap_vdd_sram_mpu_iva	0	PWR	-	-	-	-	-	-	-	-
H17	cap_vdd_sram_core	0	PWR	-	-	-	-	-	-	-	-
G18	vdda_dplls_dll	0	PWR	-	-	-	-	-	-	-	-
U17	vdda_dpll_per	0	PWR	-	-	-	-	-	-	-	-
AA12	vdds_sram	0	PWR	-	-	-	-	-	-	-	-
AA13	vdda_wkup_bg_bb	0	PWR	-	-	-	-	-	-	-	-

**Table 2-3. Ball Characteristics (CUS Pkg.)<sup>(1)</sup> (continued)**

BALL NUMBER [1]	PIN NAME [2]	MODE [3]	TYPE [4]	BALL RESET STATE [5]	BALL RESET REL. STATE [6]	RESET REL. MODE [7]	POWER [8]	HYS [9]	BUFFER STRENGTH (mA) [10]	PULLUP /DOWN TYPE [11]	IO CELL [12]
N21	cap_vdd_bb_mpu_iv a	0	PWR	-	-	-	-	-	-	-	-
N20	cap_vddu_array	0	PWR	-	-	-	-	-	-	-	-
AB15	vssa_dac	0	GND	-	-	-	-	-	-	-	-
AB13	vdda_dac	0	PWR	-	-	-	-	-	-	-	-
H11, H14, H16, J11, J12, J13, J14, J15, J16, K10, K11, K14, K15, L8, L10, L13, L17, M9, M10, M11, M13, M16, N9, N10, N11, N12, N13, N14, N15, N16, P8, P10, P11, P12, P13, P14, P15, P17, R10, R11, R14, R15, T9, T10, T11, T12, T13, T14, T15, T16, U9, U11, U14, U15, U16, V15, V16	vss	0	GND	-	-	-	-	-	-	-	-
AD1, A1, A2, B1	No Connect <sup>(2)</sup>	-	-	-	-	-	-	-	-	-	-
W15	sys_xtalgn	0	GND	-	-	-	-	-	-	-	-

(1) NA in this table stands for "Not Applicable".

(2) Pins labeled as "No connect" must be left unconnected. Any connections to these pins may result in unpredictable behavior.

(3) Depending on the sys\_clkreq direction the corresponding reset released state value can be:

- Z if sys\_clkreq is used as input
- 1 if sys\_clkreq is used as output

For a full description of the sys\_clkreq control, see Power, Reset, and Clock Management chapter of the *AM/DM37x Multimedia Device Technical Reference Manual* (literature number [SPRUGN4](#)).

(4) PU = [50 to 100 kΩ] per default or [10 to 50 kΩ] according to the selected mode. For a full description of the pull-up drive strength programming, see the PRG\_SDMC\_PUSTRENGTH configuration register bit field in the System Control Module chapter of the *AM/DM37x Multimedia Device Technical Reference Manual* (literature number [SPRUGN4](#)). PD: 30 to 150 kΩ.

(5) The usage of this GPIO is strongly restricted. For more information, see the General-Purpose Interface chapter of the *AM/DM37x Multimedia Device Technical Reference Manual* (literature number [SPRUGN4](#)).

(6) The drive strength is fixed regardless of the load. The driver is designed to drive 75Ω for video applications.

(7) In buffer mode, the drive strength is fixed regardless of the load. The driver is designed to drive 75Ω for video applications. In bypass mode, the drive strength is 0.47 mA.

(8) The drive strength of these IOs is set according to the programmable load range: 2 pF to 4 pF per default or 4 pF to 12 pF. For a full description of the drive strength programming, see the System Control Module chapter of the *AM/DM37x Multimedia Device Technical Reference Manual* (literature number [SPRUGN4](#)).

(9) In the safe\_mode\_out1, the buffer is configured to drive 1.

(10) The pullup and pulldown can be either the standard LVCMOS 100-μA drive strength or the I2C pullup and pulldown described below: Nominal resistance = 1.66 kΩ in high-speed mode with a load range of 5 pF to 12 pF, 4.5 kΩ in standard / fast mode with a load range of 5 pF to 15 pF.

(11) The default buffer configuration is High-Speed I2C point-to-point mode using internal pullup. For a full description of the pull drive strength programming, see prg\_i2c1\_pullupresx, prg\_i2c1\_lb1b0, and prg\_sr\_pullupresx, prg\_sr\_lb bits of the CONTROL\_PROG\_IO1, CONTROL\_PROG\_IO\_WKUP1 control modules in the System Control Module / SCM Programming Model / Feature Settings section and the System Control Module chapter of the *AM/DM37x Multimedia Device Technical Reference Manual* (literature number [SPRUGN4](#)) to modify the IO settings if required by the targeted interface application.

(12) The default buffer configuration is standard LVCMOS mode (non-I2C). For a full description of the pull drive strength programming, see PADCONF bits of CONTROL\_PADCONF\_X control modules (standard LVCMOS mode), or prg\_i2c2\_pullupresx, prg\_i2c2\_lb1b0, and prg\_i2c3\_pullupresx, prg\_i2c3\_lb1b0 bits of the CONTROL\_PROG\_IO2, CONTROL\_PROG\_IO3 control modules (I2C mode) in the System Control Module chapter of the *AM/DM37x Multimedia Device Technical Reference Manual* (literature number [SPRUGN4](#)) to modify the IO settings if required by the targeted interface application.

(13) Mux0 if sys\_boot6 is pulled down (clock master).



- (14) If MMC1 functional signals are enabled, vdds\_mmc1 for MMC1 must be supplied by a dedicated power source.  
If MMC1 functional signals are disabled, other multiplexed CMOS signals of the interface can be enabled. The interface can be supplied by the same power source as vdds. The vdds power source supplies the vdds\_mmc1 ball.  
If neither MMC1 functional balls or CMOS signals are enabled, the interface balls are left unconnected with its associated power supply (vdda/vssa) grounded.  
For the corresponding setting of the PBIASLITEPWRDNZ0 bit, see the System Control Module / SCM Programming Model / Extended-Drain I/Os and PBIAS Cells Programming Guide section of the *AM/DM37x Multimedia Device Technical Reference Manual* (literature number [SPRUGN4](#)).

## 2.4 Multiplexing Characteristics

Table 2-4 provides a description of the multiplexing on the CBP, CBC, and CUS packages, respectively.

**Note:** The following does not take into account subsystem pin multiplexing options. Subsystem pin multiplexing options are described in Section 2.5, *Signal Description*. For more information, see the System Control Module / System Control Module Functional Description / Pad Functional Multiplexing and Configuration section of the *AM/DM37x Multimedia Device Technical Reference Manual* (literature number [SPRUGN4](#)).

**Table 2-4. Multiplexing Characteristics**

CBP		CBC		CUS	MODE 0	MODE 1	MODE 2	MODE 3	MODE 4	MODE 5	MODE 6	MODE 7
Bottom	Top	Bottom	Top									
NA	J2	NA	D1	D7	sdr_c_d0							
NA	J1	NA	G1	C5	sdr_c_d1							
NA	G2	NA	G2	C6	sdr_c_d2							
NA	G1	NA	E1	B5	sdr_c_d3							
NA	F2	NA	D2	D9	sdr_c_d4							
NA	F1	NA	E2	D10	sdr_c_d5							
NA	D2	NA	B3	C7	sdr_c_d6							
NA	D1	NA	B4	B7	sdr_c_d7							
NA	B13	NA	A10	B11	sdr_c_d8							
NA	A13	NA	B11	C12	sdr_c_d9							
NA	B14	NA	A11	B12	sdr_c_d10							
NA	A14	NA	B12	D13	sdr_c_d11							
NA	B16	NA	A16	C13	sdr_c_d12							
NA	A16	NA	A17	B14	sdr_c_d13							
NA	B19	NA	B17	A14	sdr_c_d14							
NA	A19	NA	B18	B15	sdr_c_d15							
NA	B3	NA	B7	C9	sdr_c_d16							
NA	A3	NA	A5	E12	sdr_c_d17							
NA	B5	NA	B6	B8	sdr_c_d18							
NA	A5	NA	A6	B9	sdr_c_d19							
NA	B8	NA	A8	C10	sdr_c_d20							
NA	A8	NA	B9	B10	sdr_c_d21							
NA	B9	NA	A9	D12	sdr_c_d22							
NA	A9	NA	B10	E13	sdr_c_d23							
NA	B21	NA	C21	E15	sdr_c_d24							
NA	A21	NA	D20	D15	sdr_c_d25							
NA	D22	NA	B19	C15	sdr_c_d26							
NA	D23	NA	C20	B16	sdr_c_d27							
NA	E22	NA	D21	C16	sdr_c_d28							
NA	E23	NA	E20	D16	sdr_c_d29							
NA	G22	NA	E21	B17	sdr_c_d30							
NA	G23	NA	G21	B18	sdr_c_d31							
NA	AB21	NA	AA18	C18	sdr_c_ba0							
NA	AC21	NA	V20	D18	sdr_c_ba1							
NA	N22	NA	G20	A4	sdr_c_a0							
NA	N23	NA	K20	B4	sdr_c_a1							
NA	P22	NA	J20	D6	sdr_c_a2							
NA	P23	NA	J21	B3	sdr_c_a3							
NA	R22	NA	U21	B2	sdr_c_a4							
NA	R23	NA	R20	C3	sdr_c_a5							
NA	T22	NA	M21	E3	sdr_c_a6							
NA	T23	NA	M20	F6	sdr_c_a7							
NA	U22	NA	N20	E10	sdr_c_a8							
NA	U23	NA	K21	E9	sdr_c_a9							

**Table 2-4. Multiplexing Characteristics (continued)**

CBP		CBC		CUS	MODE 0	MODE 1	MODE 2	MODE 3	MODE 4	MODE 5	MODE 6	MODE 7
Bottom	Top	Bottom	Top									
NA	V22	NA	Y16	E7	sdr_c_a10							
NA	V23	NA	N21	G6	sdr_c_a11							
NA	W22	NA	R21	G7	sdr_c_a12							
NA	W23	NA	AA15	F7	sdr_c_a13							
NA	Y22	NA	Y12	F9	sdr_c_a14							
NA	M22	NA	T21	A19	sdr_c_ncs0							
NA	M23	NA	T20	B19	sdr_c_ncs1							
NA	A11	NA	A12	A10	sdr_c_clk							
NA	B11	NA	B13	A11	sdr_c_nclk							
NA	J22	NA	Y15	B20	sdr_c_cke0							safe_mode_out1
NA	J23	NA	Y13	C20	sdr_c_cke1							safe_mode_out1
NA	L23	NA	V21	D19	sdr_c_nras							
NA	L22	NA	U20	C19	sdr_c_ncas							
NA	K23	NA	Y18	A20	sdr_c_nwe							
NA	C1	NA	H1	B6	sdr_c_dm0							
NA	A17	NA	A14	B13	sdr_c_dm1							
NA	A6	NA	A4	A7	sdr_c_dm2							
NA	A20	NA	A18	A16	sdr_c_dm3							
NA	C2	NA	C2	A5	sdr_c_dqs0							
NA	B17	NA	B15	A13	sdr_c_dqs1							
NA	B6	NA	B8	A8	sdr_c_dqs2							
NA	B20	NA	A19	A17	sdr_c_dqs3							
N4	AC15	J2	NA	K4	gpmc_a1				gpio_34			safe_mode
M4	AB15	H1	NA	K3	gpmc_a2				gpio_35			safe_mode
L4	AC16	H2	NA	K2	gpmc_a3				gpio_36			safe_mode
K4	AB16	G2	NA	J4	gpmc_a4				gpio_37			safe_mode
T3	AC17	F1	NA	J3	gpmc_a5				gpio_38			safe_mode
R3	AB17	F2	NA	J2	gpmc_a6				gpio_39			safe_mode
N3	AC18	E1	NA	J1	gpmc_a7				gpio_40			safe_mode
M3	AB18	E2	NA	H1	gpmc_a8				gpio_41			safe_mode
L3	AC19	D1	NA	H2	gpmc_a9	sys_ndmareq2			gpio_42			safe_mode
K3	AB19	D2	NA	G2	gpmc_a10	sys_ndmareq3			gpio_43			safe_mode
NA	AC20	A4	NA	NA	gpmc_a11							safe_mode
K1	M2	AA2	U2	L2	gpmc_d0							
L1	M1	AA1	U1	M1	gpmc_d1							
L2	N2	AC2	V2	M2	gpmc_d2							
P2	N1	AC1	V1	N2	gpmc_d3							
T1	R2	AE5	AA3	M3	gpmc_d4							
V1	R1	AD6	AA4	P1	gpmc_d5							
V2	T2	AD5	Y3	P2	gpmc_d6							
W2	T1	AC5	Y4	R1	gpmc_d7							
H2	AB3	V1	R1	R2	gpmc_d8				gpio_44			safe_mode
K2	AC3	Y1	T1	T2	gpmc_d9				gpio_45			safe_mode
P1	AB4	T1	N1	U1	gpmc_d10				gpio_46			safe_mode

**Table 2-4. Multiplexing Characteristics (continued)**

CBP		CBC		CUS	MODE 0	MODE 1	MODE 2	MODE 3	MODE 4	MODE 5	MODE 6	MODE 7
Bottom	Top	Bottom	Top									
R1	AC4	U2	P2	R3	gpmc_d11				gpio_47			safe_mode
R2	AB6	U1	P1	T3	gpmc_d12				gpio_48			safe_mode
T2	AC6	P1	M1	U2	gpmc_d13				gpio_49			safe_mode
W1	AB7	L2	J2	V1	gpmc_d14				gpio_50			safe_mode
Y1	AC7	M2	K2	V2	gpmc_d15				gpio_51			safe_mode
G4	Y2	AD8	AA8	E2	gpmc_ncs0							
H3	Y1	AD1	W1	NA	gpmc_ncs1				gpio_52			safe_mode
V8	NA	A3	NA	NA	gpmc_ncs2				gpio_53			safe_mode
U8	NA	B6	NA	D2	gpmc_ncs3	sys_ndmareq0			gpio_54			safe_mode
T8	NA	B4	NA	F4	gpmc_ncs4	sys_ndmareq1	mcbbsp4_clkx	gpt_9_pwm_evt	gpio_55			safe_mode
R8	NA	C4	NA	G5	gpmc_ncs5	sys_ndmareq2	mcbbsp4_dr	gpt_10_pwm_evt	gpio_56			safe_mode
P8	NA	B5	NA	F3	gpmc_ncs6	sys_ndmareq3	mcbbsp4_dx	gpt_11_pwm_evt	gpio_57			safe_mode
N8	NA	C5	NA	G4	gpmc_ncs7	gpmc_io_dir	mcbbsp4_fsx	gpt_8_pwm_evt	gpio_58			safe_mode
T4	W2	N1	L1	W2	gpmc_clk				gpio_59			safe_mode
F3	W1	AD10	AA9	F1	gpmc_nadv_a le							
G2	V2	N2	L2	F2	gpmc_noe							
F4	V1	M1	K1	G3	gpmc_nwe							
G3	AC12	K2	NA	K5	gpmc_nbe0_c le				gpio_60			safe_mode
U3	NA	J1	NA	L1	gpmc_nbe1				gpio_61			safe_mode
H1	AB10	AC6	Y5	E1	gpmc_nwp				gpio_62			safe_mode
M8	AB12	AC11	Y10	C1	gpmc_wait0							
L8	AC10	AC8	Y8	NA	gpmc_wait1				gpio_63			safe_mode
K8	NA	B3	NA	NA	gpmc_wait2		uart4_tx		gpio_64			safe_mode
J8	NA	C6	NA	C2	gpmc_wait3	sys_ndmareq1	uart4_rx <sup>(3)</sup>		gpio_65			safe_mode
D28	NA	G25	NA	G22	dss_pclk				gpio_66	hw_dbg12		safe_mode
D26	NA	K24	NA	E22	dss_hsync				gpio_67	hw_dbg13		safe_mode
D27	NA	M25	NA	F22	dss_vsync				gpio_68			safe_mode
E27	NA	F26	NA	J21	dss_acbias				gpio_69			safe_mode
AG22	NA	AE21	NA	AC19	dss_data0		uart1_cts		gpio_70			safe_mode
AH22	NA	AE22	NA	AB19	dss_data1		uart1_rts		gpio_71			safe_mode
AG23	NA	AE23	NA	AD20	dss_data2				gpio_72			safe_mode
AH23	NA	AE24	NA	AC20	dss_data3				gpio_73			safe_mode
AG24	NA	AD23	NA	AD21	dss_data4		uart3_rx_irrx		gpio_74			safe_mode
AH24	NA	AD24	NA	AC21	dss_data5		uart3_tx_irtx		gpio_75			safe_mode
E26	NA	G26	NA	D24	dss_data6		uart1_tx		gpio_76	hw_dbg14		safe_mode

**Table 2-4. Multiplexing Characteristics (continued)**

CBP		CBC		CUS	MODE 0	MODE 1	MODE 2	MODE 3	MODE 4	MODE 5	MODE 6	MODE 7
Bottom	Top	Bottom	Top									
F28	NA	H25	NA	E23	dss_data7		uart1_rx		gpio_77	hw_dbg15		safe_mode
F27	NA	H26	NA	E24	dss_data8		uart3_rx_irrx		gpio_78	hw_dbg16		safe_mode
G26	NA	J26	NA	F23	dss_data9		uart3_tx_irtx		gpio_79	hw_dbg17		safe_mode
AD28	NA	AC26	NA	AC22	dss_data10				gpio_80			safe_mode
AD27	NA	AD26	NA	AC23	dss_data11				gpio_81			safe_mode
AB28	NA	AA25	NA	AB22	dss_data12				gpio_82			safe_mode
AB27	NA	Y25	NA	Y22	dss_data13				gpio_83			safe_mode
AA28	NA	AA26	NA	W22	dss_data14				gpio_84			safe_mode
AA27	NA	AB26	NA	V22	dss_data15				gpio_85			safe_mode
G25	NA	L25	NA	J22	dss_data16				gpio_86			safe_mode
H27	NA	L26	NA	G23	dss_data17				gpio_87			safe_mode
H26	NA	M24	NA	G24	dss_data18		mcspi3_clk	dss_data0	gpio_88			safe_mode
H25	NA	M26	NA	H23	dss_data19		mcspi3_simo	dss_data1	gpio_89			safe_mode
E28	NA	F25	NA	D23	dss_data20		mcspi3_somi	dss_data2	gpio_90			safe_mode
J26	NA	N24	NA	K22	dss_data21		mcspi3_cs0	dss_data3	gpio_91			safe_mode
AC27	NA	AC25	NA	V21	dss_data22		mcspi3_cs1	dss_data4	gpio_92			safe_mode
AC28	NA	AB25	NA	W21	dss_data23			dss_data5	gpio_93			safe_mode
W28	NA	V26	NA	AA23	cvideo2_out							
Y28	NA	W26	NA	AB24	cvideo1_out							
Y27	NA	W25	NA	AB23	cvideo1_vfb							
W27	NA	U24	NA	Y23	cvideo2_vfb							
W26	NA	V23	NA	Y24	cvideo1_rset							
A24	NA	C23	NA	A22	cam_hs				gpio_94	hw_dbg0		safe_mode
A23	NA	D23	NA	E18	cam_vs				gpio_95	hw_dbg1		safe_mode
C25	NA	C25	NA	B22	cam_xclka				gpio_96			safe_mode
C27	NA	C26	NA	J19	cam_pclk				gpio_97	hw_dbg2		safe_mode
C23	NA	B23	NA	H24	cam_fld		cam_global_res et		gpio_98	hw_dbg3		safe_mode
AG17	NA	AE16	NA	AB18	cam_d0				gpio_99 <sup>(1)</sup>			safe_mode
AH17	NA	AE15	NA	AC18	cam_d1				gpio_100 <sup>(1)</sup>			safe_mode
B24	NA	A24	NA	G19	cam_d2				gpio_101	hw_dbg4		safe_mode
C24	NA	B24	NA	F19	cam_d3				gpio_102	hw_dbg5		safe_mode
D24	NA	D24	NA	G20	cam_d4				gpio_103	hw_dbg6		safe_mode
A25	NA	C24	NA	B21	cam_d5				gpio_104	hw_dbg7		safe_mode
K28	NA	P25	NA	L24	cam_d6				gpio_105 <sup>(1)</sup>			safe_mode
L28	NA	P26	NA	K24	cam_d7				gpio_106 <sup>(1)</sup>			safe_mode

**Table 2-4. Multiplexing Characteristics (continued)**

CBP		CBC		CUS	MODE 0	MODE 1	MODE 2	MODE 3	MODE 4	MODE 5	MODE 6	MODE 7
Bottom	Top	Bottom	Top									
K27	NA	N25	NA	J23	cam_d8				gpio_107 <sup>(1)</sup>			safe_mode
L27	NA	N26	NA	K23	cam_d9				gpio_108 <sup>(1)</sup>			safe_mode
B25	NA	D25	NA	F21	cam_d10				gpio_109	hw_dbg8		safe_mode
C26	NA	E26	NA	G21	cam_d11				gpio_110	hw_dbg9		safe_mode
B26	NA	E25	NA	C22	cam_xclkb				gpio_111			safe_mode
B23	NA	A23	NA	F18	cam_wen		cam_shutter		gpio_167	hw_dbg10		safe_mode
D25	NA	D26	NA	J20	cam_strobe				gpio_126	hw_dbg11		safe_mode
AG19	NA	AD17	NA	NA					gpio_112 <sup>(1)</sup>			safe_mode
AH19	NA	AD16	NA	NA					gpio_113 <sup>(1)</sup>			safe_mode
AG18	NA	AE18	NA	NA					gpio_114 <sup>(1)</sup>			safe_mode
AH18	NA	AE17	NA	NA					gpio_115 <sup>(1)</sup>			safe_mode
P21	NA	U18	NA	V20	mcbsp2_fsx				gpio_116			safe_mode
N21	NA	R18	NA	T21	mcbsp2_clkx				gpio_117			safe_mode
R21	NA	T18	NA	V19	mcbsp2_dr				gpio_118			safe_mode
M21	NA	R19	NA	R20	mcbsp2_dx				gpio_119			safe_mode
N28	NA	N19	NA	M23	mmc1_clk				gpio_120 <sup>(2)</sup>			safe_mode
M27	NA	L18	NA	L23	mmc1_cmd				gpio_121 <sup>(2)</sup>			safe_mode
N27	NA	M19	NA	M22	mmc1_dat0				gpio_122 <sup>(2)</sup>			safe_mode
N26	NA	M18	NA	M21	mmc1_dat1				gpio_123 <sup>(2)</sup>			safe_mode
N25	NA	K18	NA	M20	mmc1_dat2				gpio_124 <sup>(2)</sup>			safe_mode
P28	NA	N20	NA	N23	mmc1_dat3				gpio_125 <sup>(2)</sup>			safe_mode
P27	NA	M20	NA	N22					gpio_126 <sup>(2)</sup>			safe_mode
P26	NA	P17	NA	NA					gpio_127 <sup>(2)</sup>			safe_mode
R27	NA	P18	NA	NA					gpio_128			safe_mode
R25	NA	P19	NA	P24					gpio_129 <sup>(2)</sup>			safe_mode
AE2	NA	W10	NA	Y1	mmc2_clk	mcspi3_clk			gpio_130			safe_mode
AG5	NA	R10	NA	AB5	mmc2_cmd	mcspi3_simo			gpio_131			safe_mode
AH5	NA	T10	NA	AB3	mmc2_dat0	mcspi3_somi			gpio_132			safe_mode
AH4	NA	T9	NA	Y3	mmc2_dat1				gpio_133			safe_mode
AG4	NA	U10	NA	W3	mmc2_dat2	mcspi3_cs1			gpio_134			safe_mode
AF4	NA	U9	NA	V3	mmc2_dat3	mcspi3_cs0			gpio_135			safe_mode
AE4	NA	V10	NA	AB2	mmc2_dat4	mmc2_dir_dat0		mmc3_dat0	gpio_136			safe_mode
AH3	NA	M3	NA	AA2	mmc2_dat5	mmc2_dir_dat1	cam_global_res et	mmc3_dat1	gpio_137		mm3_rxdp	safe_mode

**Table 2-4. Multiplexing Characteristics (continued)**

CBP		CBC		CUS	MODE 0	MODE 1	MODE 2	MODE 3	MODE 4	MODE 5	MODE 6	MODE 7
Bottom	Top	Bottom	Top									
AF3	NA	L3	NA	Y2	mmc2_dat6	mmc2_dir_cm d	cam_shutter	mmc3_dat2	gpio_138			safe_mo de
AE3	NA	K3	NA	AA1	mmc2_dat7	mmc2_clkin		mmc3_dat3	gpio_139		mm3_rxdm	safe_mo de
AF6	NA	P3	NA	V6	mcbsp3_dx	uart2_cts			gpio_140			safe_mo de
AE6	NA	N3	NA	V5	mcbsp3_dr	uart2_rts			gpio_141			safe_mo de
AF5	NA	U3	NA	W4	mcbsp3_clkx	uart2_tx			gpio_142			safe_mo de
AE5	NA	W3	NA	V4	mcbsp3_fsx	uart2_rx			gpio_143			safe_mo de
AB26	NA	Y24	NA	NA	uart2_cts	mcbsp3_dx	gpt_9_pwm_evt		gpio_144			safe_mo de
AB25	NA	AA24	NA	NA	uart2_rts	mcbsp3_dr	gpt_10_pwm_e vt		gpio_145			safe_mo de
AA25	NA	AD22	NA	NA	uart2_tx	mcbsp3_clkx	gpt_11_pwm_e vt		gpio_146			safe_mo de
AD25	NA	AD21	NA	NA	uart2_rx	mcbsp3_fsx	gpt_8_pwm_evt		gpio_147			safe_mo de
AA8	NA	L4	NA	W7	uart1_tx				gpio_148			safe_mo de
AA9	NA	R2	NA	W6	uart1_rts				gpio_149			safe_mo de
W8	NA	W2	NA	AC2	uart1_cts				gpio_150			safe_mo de
Y8	NA	H3	NA	V7	uart1_rx		mcbsp1_clk	mcspi4_clk	gpio_151			safe_mo de
AE1	NA	V3	NA	NA	mcbsp4_clkx				gpio_152		mm3_txse0	safe_mo de
AD1	NA	U4	NA	NA	mcbsp4_dr				gpio_153		mm3_rxcv	safe_mo de
AD2	NA	R3	NA	NA	mcbsp4_dx				gpio_154		mm3_txdm	safe_mo de
AC1	NA	T3	NA	NA	mcbsp4_fsx				gpio_155		mm3_txen_ n	safe_mo de
Y21	NA	U19	NA	W19	mcbsp1_clk	mcspi4_clk			gpio_156			safe_mo de
AA21	NA	V17	NA	AB20	mcbsp1_fsr		cam_global_res et		gpio_157			safe_mo de
V21	NA	U17	NA	W18	mcbsp1_dx	mcspi4_simo	mcbsp3_dx		gpio_158			safe_mo de
U21	NA	T20	NA	Y18	mcbsp1_dr	mcspi4_somi	mcbsp3_dr		gpio_159			safe_mo de
T21	NA	T19	NA	AA18	mcbsp_clks		cam_shutter		gpio_160	uart1_cts		safe_mo de
K26	NA	P20	NA	AA19	mcbsp1_fsx	mcspi4_cs0	mcbsp3_fsx		gpio_161			safe_mo de
W21	NA	T17	NA	V18	mcbsp1_clkx		mcbsp3_clkx		gpio_162			safe_mo de
H18	NA	F23	NA	A23	uart3_cts_rctx				gpio_163			safe_mo de
H19	NA	F24	NA	B23	uart3_rts_sd				gpio_164			safe_mo de
H20	NA	H24	NA	B24	uart3_rx_irrx				gpio_165			safe_mo de
H21	NA	G24	NA	C23	uart3_tx_irtx				gpio_166			safe_mo de
T28	NA	W19	NA	R21	hsusb0_clk				gpio_120			safe_mo de
T25	NA	U20	NA	R23	hsusb0_stp				gpio_121			safe_mo de
R28	NA	V19	NA	P23	hsusb0_dir				gpio_122			safe_mo de
T26	NA	W18	NA	R22	hsusb0_nxt				gpio_124			safe_mo de

**Table 2-4. Multiplexing Characteristics (continued)**

CBP		CBC		CUS	MODE 0	MODE 1	MODE 2	MODE 3	MODE 4	MODE 5	MODE 6	MODE 7
Bottom	Top	Bottom	Top									
T27	NA	V20	NA	T24	hsusb0_data0		uart3_tx_irtx		gpio_125	uart2_tx		safe_mode
U28	NA	Y20	NA	T23	hsusb0_data1		uart3_rx_irrx		gpio_130	uart2_rx		safe_mode
U27	NA	V18	NA	U24	hsusb0_data2		uart3_rts_sd		gpio_131	uart2_rts		safe_mode
U26	NA	W20	NA	U23	hsusb0_data3		uart3_cts_rctx		gpio_169	uart2_cts		safe_mode
U25	NA	W17	NA	W24	hsusb0_data4				gpio_188			safe_mode
V28	NA	Y18	NA	V23	hsusb0_data5				gpio_189			safe_mode
V27	NA	Y19	NA	W23	hsusb0_data6				gpio_190			safe_mode
V26	NA	Y17	NA	T22	hsusb0_data7				gpio_191			safe_mode
K21	NA	J25	NA	K20	i2c1_scl							
J21	NA	J24	NA	K21	i2c1_sda							
AF15	NA	C2	NA	AC15	i2c2_scl				gpio_168			safe_mode
AE15	NA	C1	NA	AC14	i2c2_sda				gpio_183			safe_mode
AF14	NA	AB4	NA	AC13	i2c3_scl				gpio_184			safe_mode
AG14	NA	AC4	NA	AC12	i2c3_sda				gpio_185			safe_mode
AD26	NA	AD15	NA	Y16	i2c4_scl	sys_nvmode1						safe_mode
AE26	NA	W16	NA	Y15	i2c4_sda	sys_nvmode2						safe_mode
J25	NA	J23	NA	A24	hdq_sio	sys_altclk	i2c2_sccbe	i2c3_sccbe	gpio_170			safe_mode
AB3	NA	P9	NA	T5	mcspi1_clk	mmc2_dat4			gpio_171			safe_mode
AB4	NA	P8	NA	R4	mcspi1_simo	mmc2_dat5			gpio_172			safe_mode
AA4	NA	P7	NA	T4	mcspi1_somi	mmc2_dat6			gpio_173			safe_mode
AC2	NA	R7	NA	T6	mcspi1_cs0	mmc2_dat7			gpio_174			safe_mode
AC3	NA	R8	NA	NA	mcspi1_cs1			mmc3_cmd	gpio_175			safe_mode
AB1	NA	R9	NA	NA	mcspi1_cs2			mmc3_clk	gpio_176			safe_mode
AB2	NA	T8	NA	R5	mcspi1_cs3			hsusb2_dat a2	gpio_177	mm2_txd		safe_mode
AA3	NA	W7	NA	N5	mcspi2_clk			hsusb2_dat a7	gpio_178			safe_mode
Y2	NA	W8	NA	N4	mcspi2_simo	gpt_9_pwm_e vt		hsusb2_dat a4	gpio_179			safe_mode
Y3	NA	U8	NA	N3	mcspi2_somi	gpt_10_pwm_ evt		hsusb2_dat a5	gpio_180			safe_mode
Y4	NA	V8	NA	M5	mcspi2_cs0	gpt_11_pwm_ evt		hsusb2_dat a6	gpio_181			safe_mode
V3	NA	V9	NA	M4	mcspi2_cs1	gpt_8_pwm_e vt		hsusb2_dat a3	gpio_182	mm2_txen_ n		safe_mode
AE25	NA	AE20	NA	AA16	sys_32k							
AE17	NA	AF19	NA	AD15	sys_xtalin							
AF17	NA	AF20	NA	AD14	sys_xtalout							
AF25	NA	W15	NA	Y13	sys_clkreq				gpio_1			safe_mode
AF26	NA	V16	NA	W16	sys_nirq				gpio_0			safe_mode
AH25	NA	V13	NA	AA10	sys_nrespwr n							



**Table 2-4. Multiplexing Characteristics (continued)**

CBP		CBC		CUS	MODE 0	MODE 1	MODE 2	MODE 3	MODE 4	MODE 5	MODE 6	MODE 7
Bottom	Top	Bottom	Top									
AF24	NA	AD7	AA5	Y10	sys_nreswar m				gpio_30			safe_mo de
AH26	NA	F3	NA	AB12	sys_boot0			dss_data18	gpio_2			safe_mo de
AG26	NA	D3	NA	AC16	sys_boot1			dss_data19	gpio_3			safe_mo de
AE14	NA	C3	NA	AD17	sys_boot2				gpio_4			safe_mo de
AF18	NA	E3	NA	AD18	sys_boot3			dss_data20	gpio_5			safe_mo de
AF19	NA	E4	NA	AC17	sys_boot4	mmc2_dir_dat 2		dss_data21	gpio_6			safe_mo de
AE21	NA	G3	NA	AB16	sys_boot5	mmc2_dir_dat 3		dss_data22	gpio_7			safe_mo de
AF21	NA	D4	NA	AA15	sys_boot6			dss_data23	gpio_8			safe_mo de
AF22	NA	V12	NA	AD23	sys_off_mode				gpio_9			safe_mo de
AG25	NA	AE14	NA	Y7	sys_clkout1				gpio_10			safe_mo de
AE22	NA	W11	NA	AA6	sys_clkout2				gpio_186			safe_mo de
AA17	NA	U15	NA	AB7	jtag_nrst							
AA13	NA	V14	NA	AB6	jtag_tck							
AA12	NA	W13	NA	AA7	jtag_rtck							
AA18	NA	V15	NA	AA9	jtag_tms_tms c							
AA20	NA	U16	NA	AB10	jtag_tdi							
AA19	NA	Y13	NA	AB9	jtag_tdo							
AA11	NA	Y15	NA	AC24	jtag_emu0				gpio_11			safe_mo de
AA10	NA	Y14	NA	AD24	jtag_emu1				gpio_31			safe_mo de
AF10	NA	AB2	NA	AC1	etk_clk	mcbsp5_clx	mmc3_clk	hsusb1_stp	gpio_12	mm1_rxdp		hw_dbg 0
AE10	NA	AB3	NA	AD3	etk_ctl		mmc3_cmd	hsusb1_clk	gpio_13			hw_dbg 1
AF11	NA	AC3	NA	AD6	etk_d0	mcspi3_simo	mmc3_dat4	hsusb1_dat a0	gpio_14	mm1_rxcv		hw_dbg 2
AG12	NA	AD4	NA	AC6	etk_d1	mcspi3_somi		hsusb1_dat a1	gpio_15	mm1_txse0		hw_dbg 3
AH12	NA	AD3	NA	AC7	etk_d2	mcspi3_cs0		hsusb1_dat a2	gpio_16	mm1_txdat		hw_dbg 4
AE13	NA	AA3	NA	AD8	etk_d3	mcspi3_clk	mmc3_dat3	hsusb1_dat a7	gpio_17			hw_dbg 5
AE11	NA	Y3	NA	AC5	etk_d4	mcbsp5_dr	mmc3_dat0	hsusb1_dat a4	gpio_18			hw_dbg 6
AH9	NA	AB1	NA	AD2	etk_d5	mcbsp5_fsx	mmc3_dat1	hsusb1_dat a5	gpio_19			hw_dbg 7
AF13	NA	AE3	NA	AC8	etk_d6	mcbsp5_dx	mmc3_dat2	hsusb1_dat a6	gpio_20			hw_dbg 8
AH14	NA	AD2	NA	AD9	etk_d7	mcspi3_cs1	mmc3_dat7	hsusb1_dat a3	gpio_21	mm1_txen_ n		hw_dbg 9
AF9	NA	AA4	NA	AC4	etk_d8		mmc3_dat6	hsusb1_dir	gpio_22			hw_dbg 10
AG9	NA	V2	NA	AD5	etk_d9		mmc3_dat5	hsusb1_nxt	gpio_23	mm1_rxdm		hw_dbg 11
AE7	NA	AE4	NA	AC3	etk_d10		uart1_rx	hsusb2_clk	gpio_24			hw_dbg 12
AF7	NA	AF6	NA	AC9	etk_d11			hsusb2_stp	gpio_25	mm2_rxdp		hw_dbg 13
AG7	NA	AE6	NA	AC10	etk_d12			hsusb2_dir	gpio_26			hw_dbg 14
AH7	NA	AF7	NA	AD11	etk_d13			hsusb2_nxt	gpio_27	mm2_rxdm		hw_dbg 15

**Table 2-4. Multiplexing Characteristics (continued)**

CBP		CBC		CUS	MODE 0	MODE 1	MODE 2	MODE 3	MODE 4	MODE 5	MODE 6	MODE 7
Bottom	Top	Bottom	Top									
AG8	NA	AF9	NA	AC11	etk_d14			hsusb2_dat a0	gpio_28	mm2_rxcv		hw_dbg 16
AH8	NA	AE9	NA	AD12	etk_d15			hsusb2_dat a1	gpio_29	mm2_txse0		hw_dbg 17
AC4, J4, H4, D8, AE9, D9, D15, Y16, AE18, Y18, W18, K18, J18, AE19, Y19, U19, T19, N19, M19, J19, Y20, W20, V20, U20, P20, N20, K20, J20, D22, D23, AE24, M25, L25, E25	NA	AC21, D15, G11, G18, H20, M7, M17, R20, T7, Y8, Y12	NA	F12, F13, G12, G13, H12, H13, J17, J18, K17, K18, K19, L14, L15, M14, M15, R17, R18, R19, T17, T18, T19, T20	vdd_core							
Y9, W9, T9, R9, M9, L9, J9, Y10, U10, T10, R10, N10, M10, L10, J10, Y11, W11, K11, J11, W12, K13, Y14, K14, J14, Y15, W15, J15	NA	D13, G9, G12, H7, K11, L9, M9, M10, N7, N8, P10, U7, U11, U13, V7, V11, W9, Y9, Y11	NA	F10, G9, G10, H9, H10, J9, J10, L11, L12, M6, M7, M8, M12, N6, N7, N8, R6, R7, R8, T7, T8, U12, U13, V12, V13, W12, W13	vdd_mpu_iva							
U4	NA	D6	NA	N21	cap_vdd_bb_ mpu_iva							
AA15	NA	K14	NA	Y12	cap_vddu_wk up_logic							
K15	NA	K13	NA	G18	vdda_dpils_dll							
W16	NA	U12	NA	AA12	vdds_sram							
AD3, AD4, W4, AF8, AE8, AF16, AE16, AF23, AE23, F25, F26, AG27	NA	A18, AC7, AC15, AC18, AC24, AD20, AE10, C11, D9, E24, G4, J15, J18, L7, L24, M4, T4, T24, W24, Y4, AB24	A3,A15,B5,F2 ,F21,L20,W21	M17, M18, M19, N17, N18, N19, U10, V9, V10, W9, W10, Y9	vdds							
U1, J1, F1, J2, F2, R4, B5, A5, AH6, B8, A8, B12, A12, D16, C16, B18, A18, B22, A22, G28, C28	AC5, P1, H1, F23, E1, C23, A4, A7, A10, A15, A18	NA	NA	E16, F15, F16, G15, G16, H15, J6, J7, J8, K6, K7, K8	vdds_mem							
AA16	NA	U14	NA	U17	vdda_dpil_per							
AA14	NA	W14	NA	AA13	vdda_wkup_b g_bb							

**Table 2-4. Multiplexing Characteristics (continued)**

CBP		CBC		CUS	MODE 0	MODE 1	MODE 2	MODE 3	MODE 4	MODE 5	MODE 6	MODE 7
Bottom	Top	Bottom	Top									
AG2, U2, B2, AG3, W3, P3, J3, E3, A3, P4, E4, AG6, D7, C7, V9, U9, P9, N9, K9, W10, V10, P10, K10, D10, C10, AF12, AE12, Y12, K12, J12, Y13, W13, J13, D13, C13, W14, K16, J16, W17, K17, J17, W19, V19, R19, P19, L19, K19, D19, C19, AF20, AE20, T20, AG15, AF2, AF27, B15, J27, M2, M26, N2, AA2, AG10, AC25, AC26, Y25, W25, M20, L20, L26, G27, D21, C22, B27, A26, R20, R26	B4, B7, B10, B15, B18, C22, E2, F22, H2, P2, AB5, AB14, AB20	A6, A8, A13, AB5, AB22, AC10, AD14, AD25, AE7, B2, B25, C12, D7, D10, D12, D14, D18, D20, E22, G1, G8, G10, G20, G23, H4, K1, K15, K25, L10, L17, L23, N4, N10, N17, R1, R4, R17, T23, U25, W1, W4, W23, Y7, Y10, Y16, Y26	A7, A13, B14, C1, F1, F20, H2, H20, L21, M2, P20, R2, W20 Y6, Y11, AA7, AA16	H11, H14, H16, J11, J12, J13, J14, J15, J16, K10, K11, K14, K15, L8, L10, L13, L17, M9, M10, M11, M13, M16, N9, N10, N11, N12, N13, N14, N15, N16, P8, P10, P11, P12, P13, P14, P15, P17, R10, R11, R14, R15, T9, T10, T11, T12, T13, T14, T15, T16, U9, U11, U14, U15, U16, V15, V16	vss							
V25	NA	V25	NA	AB13	vdda_dac							
Y26	NA	V24	NA	AB15	vssa_dac							
K25	NA	N23	NA	N24	vdds_mmc1							
P25	NA	P23	NA	H8	vdds_x							
AG21	NA	AD19	NA	NA	vdds							
AH20	NA	AE19	NA	N20	cap_vddu_array							
AH21	NA	AC19	NA	NA	vss							
AG16	NA	AC16	NA	NA	vss							
AG20	NA	AD18	NA	NA	vdds							
M28	NA	L19	NA	NA	vss							
H28	NA	L20	NA	NA	vdds							
V4	NA	N9	NA	U8	cap_vdd_sram_mpu_iva							
L21	NA	K20	NA	H17	cap_vdd_sram_core							
Y17	NA	AF23	NA	W15	sys_xtalgn							

- (1) This GPIO is only an input (and not an output).
- (2) The usage of this GPIO is strongly restricted. For more information, see the General-Purpose Interface chapter of the *AM/DM37x Multimedia Device Technical Reference Manual* (literature number [SPRUGN4](#)).
- (3) UART4 is only available on CBP and CBC packages.

## 2.5 Signal Description

Many signals are available on multiple pins according to the software configuration of the pin multiplexing options.

1. **SIGNAL NAME:** The signal name
2. **DESCRIPTION:** Description of the signal
3. **TYPE:** Type = Ball type for this specific function:
  - I = Input
  - O = Output
  - Z = High-impedance
  - D = Open Drain
  - DS = Differential
  - A = Analog
4. **BALL BOTTOM:** Associated ball(s) bottom
5. **BALL TOP:** Associated ball(s) top
6. **SUBSYSTEM PIN MULTIPLEXING:** Contains a list of the pin multiplexing options at the module/subsystem level. The pin function is selected at the module/system level.

**Note:** The Subsystem Multiplexing Signals are not described in the following tables. For more information, see the System Control Module / System Control Module Functional Description / Pad Functional Multiplexing and Configuration section of the *AM/DM37x Multimedia Device Technical Reference Manual* (literature number [SPRUGN4](#)).

### 2.5.1 External Memory Interfaces

#### NOTE

For more information, see Memory Subsystem / General-Purpose Memory Controller / GPMC Environment section of the *AM/DM37x Multimedia Device Technical Reference Manual* (literature number [SPRUGN4](#)).

**Table 2-5. External Memory Interfaces – GPMC Signals Description<sup>(1)</sup>**

SIGNAL NAME <a href="#">[1]</a>	DESCRIPTION <a href="#">[2]</a>	TYPE <a href="#">[3]</a>	BALL BOTTOM (CBP Pkg.) <a href="#">[4]</a>	BALL TOP (CBP Pkg.) <a href="#">[5]</a>	BALL BOTTOM (CBC Pkg.) <a href="#">[4]</a>	BALL TOP (CBC Pkg.) <a href="#">[5]</a>	BALL BOTTOM (CUS Pkg.) <a href="#">[4]</a>	SUBSYSTEM PIN MULTIPLEXING <a href="#">[6]</a>
gpmc_a1	GPMC output address bit 1 / extended multiplexed address gpmc_a17	O	N4 / K1	AC15 / M2	J2 / AA2	NA / U2	K4 / L2	- / gpmc_d0
gpmc_a2	GPMC output address bit 2 / extended multiplexed address gpmc_a18	O	M4 / L1	AB15 / M1	H1 / AA1	NA / U1	K3 / M1	- / gpmc_d1
gpmc_a3	GPMC output address bit 3 / extended multiplexed address gpmc_a19	O	L4 / L2	AC16 / N2	H2 / AC2	NA / V2	K2 / M2	- / gpmc_d2
gpmc_a4	GPMC output address bit 4 / extended multiplexed address gpmc_a20	O	K4 / P2	AB16 / N1	G2 / AC1	NA / V1	J4 / N2	- / gpmc_d3
gpmc_a5	GPMC output address bit 5 / extended multiplexed address gpmc_a21	O	T3 / T1	AC17 / R2	F1 / AE5	NA / AA3	J3 / M3	- / gpmc_d4
gpmc_a6	GPMC output address bit 6 / extended multiplexed address gpmc_a22	O	R3 / V1	AB17 / R1	F2 / AD6	NA / AA4	J2 / P1	- / gpmc_d5
gpmc_a7	GPMC output address bit 7 / extended multiplexed address gpmc_a23	O	N3 / V2	AC18 / T2	E1 / AD5	NA / Y3	J1 / P2	- / gpmc_d6
gpmc_a8	GPMC output address bit 8 / extended multiplexed address gpmc_a24	O	M3 / W2	AB18 / T1	E2 / AC5	NA / Y4	H1 / R1	- / gpmc_d7

**Table 2-5. External Memory Interfaces – GPMC Signals Description<sup>(1)</sup> (continued)**

SIGNAL NAME <a href="#">[1]</a>	DESCRIPTION <a href="#">[2]</a>	TYPE <a href="#">[3]</a>	BALL BOTTOM (CBP Pkg.) <a href="#">[4]</a>	BALL TOP (CBP Pkg.) <a href="#">[5]</a>	BALL BOTTOM (CBC Pkg.) <a href="#">[4]</a>	BALL TOP (CBC Pkg.) <a href="#">[5]</a>	BALL BOTTOM (CUS Pkg.) <a href="#">[4]</a>	SUBSYSTEM PIN MULTIPLEXING <a href="#">[6]</a>
gpmc_a9	GPMC output address bit 9 / extended multiplexed address gpmc_a25	O	L3 / H2	AC19 / AB3	D1 / V1	NA / R1	H2/ R2	- / gpmc_d8
gpmc_a10	GPMC output address bit 10 / extended multiplexed address gpmc_a26	O	K3 / K2	AB19 / AC3	D2 / Y1	T1	G2/ T2	- / gpmc_d9
gpmc_a11	GPMC output address bit 11 / extended multiplexed address gpmc_a27	O	NC / P1	AC20 / AB4	A4 / T1	- / N1	NA	- / gpmc_d10
gpmc_a12	General-purpose memory address bit 12	O	R1	AC4	U2	P2	R3	gpmc_d11
gpmc_a13	General-purpose memory address bit 13	O	R2	AB6	U1	P1	T3	gpmc_d12
gpmc_a14	General-purpose memory address bit 14	O	T2	AC6	P1	M1	U2	gpmc_d13
gpmc_a15	General-purpose memory address bit 15	O	W1	AB7	L2	J2	V1	gpmc_d14
gpmc_a16	General-purpose memory address bit 16	O	Y1	AC7	M2	K2	V2	gpmc_d15
gpmc_a17	General-purpose memory address bit 17	O	N4	AC15	J2	NA	K4	gpmc_a1
gpmc_a18	General-purpose memory address bit 18	O	M4	AB15	H1	NA	K3	gpmc_a2
gpmc_a19	General-purpose memory address bit 19	O	L4	AC16	H2	NA	K2	gpmc_a3
gpmc_a20	General-purpose memory address bit 20	O	K4	AB16	G2	NA	J4	gpmc_a4
gpmc_a21	General-purpose memory address bit 21	O	T3	AC17	F1	NA	J3	gpmc_a5
gpmc_a22	General-purpose memory address bit 22	O	R3	AB17	F2	NA	J2	gpmc_a6
gpmc_a23	General-purpose memory address bit 23	O	N3	AC18	E1	NA	J1	gpmc_a7
gpmc_a24	General-purpose memory address bit 24	O	M3	AB18	E2	NA	H1	gpmc_a8
gpmc_a25	General-purpose memory address bit 25	O	L3	AC19	D1	NA	H2	gpmc_a9
gpmc_a26	General-purpose memory address bit 26	O	K3	AB19	D2	NA	G2	gpmc_a10
gpmc_d0	GPMC data bit 0 / multiplexed address gpmc_a1	IO	K1	M2	AA2	U2	L2	gpmc_d0
gpmc_d1	GPMC data bit 1 / multiplexed address gpmc_a2	IO	L1	M1	AA1	U1	M1	gpmc_d1
gpmc_d2	GPMC data bit 2 / multiplexed address gpmc_a3	IO	L2	N2	AC2	V2	M2	gpmc_d2
gpmc_d3	GPMC data bit 3 / multiplexed address gpmc_a4	IO	P2	N1	AC1	V1	N2	gpmc_d3
gpmc_d4	GPMC data bit 4 / multiplexed address gpmc_a5	IO	T1	R2	AE5	AA3	M3	gpmc_d4
gpmc_d5	GPMC data bit 5 / multiplexed address gpmc_a6	IO	V1	R1	AD6	AA4	P1	gpmc_d5
gpmc_d6	GPMC data bit 6 / multiplexed address gpmc_a7	IO	V2	T2	AD5	Y3	P2	gpmc_d6
gpmc_d7	GPMC data bit 7 / multiplexed address gpmc_a8	IO	W2	T1	AC5	Y4	R1	gpmc_d7
gpmc_d8	GPMC data bit 8 / multiplexed address gpmc_a9	IO	H2	AB3	V1	R1	R2	gpmc_d8
gpmc_d9	GPMC data bit 9 / multiplexed address gpmc_a10	IO	K2	AC3	Y1	T1	T2	gpmc_d9

**Table 2-5. External Memory Interfaces – GPMC Signals Description<sup>(1)</sup> (continued)**

SIGNAL NAME <a href="#">[1]</a>	DESCRIPTION <a href="#">[2]</a>	TYPE <a href="#">[3]</a>	BALL BOTTOM (CBP Pkg.) <a href="#">[4]</a>	BALL TOP (CBP Pkg.) <a href="#">[5]</a>	BALL BOTTOM (CBC Pkg.) <a href="#">[4]</a>	BALL TOP (CBC Pkg.) <a href="#">[5]</a>	BALL BOTTOM (CUS Pkg.) <a href="#">[4]</a>	SUBSYSTEM PIN MULTIPLEXING <a href="#">[6]</a>
gpmc_d10	GPMC data bit 10 / multiplexed address gpmc_a11	IO	P1	AB4	T1	N1	U1	gpmc_d10
gpmc_d11	GPMC data bit 11 / multiplexed address gpmc_a12	IO	R1	AC4	U2	P2	R3	gpmc_d11
gpmc_d12	GPMC data bit 12 / multiplexed address gpmc_a13	IO	R2	AB6	U1	P1	T3	gpmc_d12
gpmc_d13	GPMC data bit 13 / multiplexed address gpmc_a14	IO	T2	AC6	P1	M1	U2	gpmc_d13
gpmc_d14	GPMC data bit 14 / multiplexed address gpmc_a15	IO	W1	AB7	L2	J2	V1	gpmc_d14
gpmc_d15	GPMC data bit 15 / multiplexed address gpmc_a16	IO	Y1	AC7	M2	K2	V2	gpmc_d15
gpmc_ncs0	GPMC Chip Select bit 0	O	G4	Y2	AD8	AA8	E2	NA
gpmc_ncs1	GPMC Chip Select bit 1	O	H3	Y1	AD1	W1	NA	NA
gpmc_ncs2	GPMC Chip Select bit 2	O	V8	NA	A3	NA	NA	NA
gpmc_ncs3	GPMC Chip Select bit 3	O	U8	NA	B6	NA	D2	NA
gpmc_ncs4	GPMC Chip Select bit 4	O	T8	NA	B4	NA	F4	NA
gpmc_ncs5	GPMC Chip Select bit 5	O	R8	NA	C4	NA	G5	NA
gpmc_ncs6	GPMC Chip Select bit 6	O	P8	NA	B5	NA	F3	NA
gpmc_ncs7	GPMC Chip Select bit 7	O	N8	NA	C5	NA	G4	NA
gpmc_io_dir	GPMC IO direction control for use with external transceivers	O	N8	NA	C5	NA	G4	NA
gpmc_clk	GPMC clock	O	T4	W2	N1	L1	W2	NA
gpmc_nadv_ale	Address Valid or Address Latch Enable	O	F3	W1	AD10	AA9	F1	NA
gpmc_noe	Output Enable	O	G2	V2	N2	L2	F2	NA
gpmc_nwe	Write Enable	O	F4	V1	M1	K1	G3	NA
gpmc_nbe0_cle	Lower Byte Enable. Also used for Command Latch Enable	O	G3	AC12	K2	NA	K5	NA
gpmc_nbe1	Upper Byte Enable	O	U3	NA	J1	NA	L1	NA
gpmc_nwp	Flash Write Protect	O	H1	AB10	AC6	Y5	E1	NA
gpmc_wait0	External indication of wait	I	M8	AB12	AC11	Y10	C1	NA
gpmc_wait1	External indication of wait	I	L8	AC10	AC8	Y8	NA	NA
gpmc_wait2	External indication of wait	I	K8	NA	B3	NA	NA	NA
gpmc_wait3	External indication of wait	I	J8	NA	C6	NA	C2	NA

(1) NA in table stands for "Not Applicable".

#### NOTE

For more information, see Memory Subsystem / SDRAM Controller (SDRC) Subsystem / SDRC Subsystem Environment section of the *AM/DM37x Multimedia Device Technical Reference Manual* (literature number [SPRUGN4](#)).

**Table 2-6. External Memory Interfaces – SDRG Signals Description<sup>(1)</sup>**

SIGNAL NAME [1]	DESCRIPTION [2]	TYPE [3]	BALL BOTTOM (CBP Pkg.) [4] <sup>(2)</sup>	BALL TOP (CBP Pkg.) [5]	BALL BOTTOM (CBC Pkg.) [4] <sup>(2)</sup>	BALL TOP (CBC Pkg.) [5]	BALL BOTTOM (CUS Pkg.) [4]
sdrc_d0	SDRAM data bit 0	IO	NA	J2	NA	D1	D7
sdrc_d1	SDRAM data bit 1	IO	NA	J1	NA	G1	C5
sdrc_d2	SDRAM data bit 2	IO	NA	G2	NA	G2	C6
sdrc_d3	SDRAM data bit 3	IO	NA	G1	NA	E1	B5
sdrc_d4	SDRAM data bit 4	IO	NA	F2	NA	D2	D9
sdrc_d5	SDRAM data bit 5	IO	NA	F1	NA	E2	D10
sdrc_d6	SDRAM data bit 6	IO	NA	D2	NA	B3	C7
sdrc_d7	SDRAM data bit 7	IO	NA	D1	NA	B4	B7
sdrc_d8	SDRAM data bit 8	IO	NA	B13	NA	A10	B11
sdrc_d9	SDRAM data bit 9	IO	NA	A13	NA	B11	C12
sdrc_d10	SDRAM data bit 10	IO	NA	B14	NA	A11	B12
sdrc_d11	SDRAM data bit 11	IO	NA	A14	NA	B12	D13
sdrc_d12	SDRAM data bit 12	IO	NA	B16	NA	A16	C13
sdrc_d13	SDRAM data bit 13	IO	NA	A16	NA	A17	B14
sdrc_d14	SDRAM data bit 14	IO	NA	B19	NA	B17	A14
sdrc_d15	SDRAM data bit 15	IO	NA	A19	NA	B18	B15
sdrc_d16	SDRAM data bit 16	IO	NA	B3	NA	B7	C9
sdrc_d17	SDRAM data bit 17	IO	NA	A3	NA	A5	E12
sdrc_d18	SDRAM data bit 18	IO	NA	B5	NA	B6	B8
sdrc_d19	SDRAM data bit 19	IO	NA	A5	NA	A6	B9
sdrc_d20	SDRAM data bit 20	IO	NA	B8	NA	A8	C10
sdrc_d21	SDRAM data bit 21	IO	NA	A8	NA	B9	B10
sdrc_d22	SDRAM data bit 22	IO	NA	B9	NA	A9	D12
sdrc_d23	SDRAM data bit 23	IO	NA	A9	NA	B10	E13
sdrc_d24	SDRAM data bit 24	IO	NA	B21	NA	C21	E15
sdrc_d25	SDRAM data bit 25	IO	NA	A21	NA	D20	D15
sdrc_d26	SDRAM data bit 26	IO	NA	D22	NA	B19	C15
sdrc_d27	SDRAM data bit 27	IO	NA	D23	NA	C20	B16
sdrc_d28	SDRAM data bit 28	IO	NA	E22	NA	D21	C16
sdrc_d29	SDRAM data bit 29	IO	NA	E23	NA	E20	D16
sdrc_d30	SDRAM data bit 30	IO	NA	G22	NA	E21	B17
sdrc_d31	SDRAM data bit 31	IO	NA	G23	NA	G21	B18
sdrc_ba0	SDRAM bank select 0	O	NA	AB21	NA	AA18	C18
sdrc_ba1	SDRAM bank select 1	O	NA	AC21	NA	V20	D18
sdrc_a0	SDRAM address bit 0	O	NA	N22	NA	G20	A4
sdrc_a1	SDRAM address bit 1	O	NA	N23	NA	K20	B4
sdrc_a2	SDRAM address bit 2	O	NA	P22	NA	J20	D6
sdrc_a3	SDRAM address bit 3	O	NA	P23	NA	J21	B3
sdrc_a4	SDRAM address bit 4	O	NA	R22	NA	U21	B2
sdrc_a5	SDRAM address bit 5	O	NA	R23	NA	R20	C3
sdrc_a6	SDRAM address bit 6	O	NA	T22	NA	M21	E3
sdrc_a7	SDRAM address bit 7	O	NA	T23	NA	M20	F6
sdrc_a8	SDRAM address bit 8	O	NA	U22	NA	N20	E10
sdrc_a9	SDRAM address bit 9	O	NA	U23	NA	K21	E9
sdrc_a10	SDRAM address bit 10	O	NA	V22	NA	Y16	E7
sdrc_a11	SDRAM address bit 11	O	NA	V23	NA	N21	G6
sdrc_a12	SDRAM address bit 12	O	NA	W22	NA	R21	G7
sdrc_a13	SDRAM address bit 13	O	NA	W23	NA	AA15	F7
sdrc_a14	SDRAM address bit 14	O	NA	Y22	NA	Y12	F9

**Table 2-6. External Memory Interfaces – SDRG Signals Description<sup>(1)</sup> (continued)**

SIGNAL NAME [1]	DESCRIPTION [2]	TYPE [3]	BALL BOTTOM (CBP Pkg.) [4] <sup>(2)</sup>	BALL TOP (CBP Pkg.) [5]	BALL BOTTOM (CBC Pkg.) [4] <sup>(2)</sup>	BALL TOP (CBC Pkg.) [5]	BALL BOTTOM (CUS Pkg.) [4]
sdrc_ncs0	Chip select 0	O	NA	M22	NA	T21	A19
sdrc_ncs1	Chip select 1	O	NA	M23	NA	T20	B19
sdrc_clk	Clock	IO	NA	A11	NA	A12	A10
sdrc_nclk	Clock Invert	O	NA	B11	NA	B13	A11
sdrc_cke0	Clock Enable 0	O	NA	J22	NA	Y15	B20
sdrc_cke1	Clock Enable 1	O	NA	J23	NA	Y13	C20
sdrc_nras	SDRAM Row Access	O	NA	L23	NA	V21	D19
sdrc_ncas	SDRAM column address strobe	O	NA	L22	NA	U20	C19
sdrc_nwe	SDRAM write enable	O	NA	K23	NA	Y18	A20
sdrc_dm 0	Data Mask 0	O	NA	C1	NA	H1	B6
sdrc_dm1	Data Mask 1	O	NA	A17	NA	A14	B13
sdrc_dm2	Data Mask 2	O	NA	A6	NA	A4	A7
sdrc_dm 3	Data Mask 3	O	NA	A20	NA	A18	A16
sdrc_dqs0	Data Strobe 0	IO	NA	B17	NA	C2	A5
sdrc_dqs1	Data Strobe 1	IO	NA	NA	NA	B15	A13
sdrc_dqs2	Data Strobe 2	IO	NA	NA	NA	B8	A8
sdrc_dqs3	Data Strobe 3	IO	NA	B20	NA	A19	A17

(1) NA in this table stands for "Not Applicable".

(2) For a list of pins not supported on a particular package, see [Table 2-4](#).



## 2.5.2 Video Interfaces

**Table 2-7. Video Interfaces – CAM Signals Description**

SIGNAL NAME <a href="#">[1]</a>	DESCRIPTION <a href="#">[2]</a>	TYPE <a href="#">[3]</a>	BALL BOTTOM (CBP Pkg.) <a href="#">[4]</a>	BALL BOTTOM (CBC Pkg.) <a href="#">[4]</a>	BALL BOTTOM (CUS Pkg.) <a href="#">[4]</a>
cam_hs	Camera Horizontal Synchronization	IO	A24	C23	A22
cam_vs	Camera Vertical Synchronization	IO	A23	D23	E18
cam_xclka	Camera Clock Output a	O	C25	C25	B22
cam_xclkb	Camera Clock Output b	O	B26	E25	C22
cam_d0	Camera digital image data bit 0	I	AG17	AE16	AB18
cam_d1	Camera digital image data bit 1	I	AH17	AE15	AC18
cam_d2	Camera digital image data bit 2	I	B24	A24	G19
cam_d3	Camera digital image data bit 3	I	C24	B24	F19
cam_d4	Camera digital image data bit 4	I	D24	D24	G20
cam_d5	Camera digital image data bit 5	I	A25	C24	B21
cam_d6	Camera digital image data bit 6	I	K28	P25	L24
cam_d7	Camera digital image data bit 7	I	L28	P26	K24
cam_d8	Camera digital image data bit 8	I	K27	N25	J23
cam_d9	Camera digital image data bit 9	I	L27	N26	K23
cam_d10	Camera digital image data bit 10	I	B25	D25	F21
cam_d11	Camera digital image data bit 11	I	C26	E26	G21
cam fld	Camera field identification	IO	C23	B23	H24
cam_pclk	Camera pixel clock	I	C27	C26	J19
cam_wen	Camera Write Enable	I	B23	A23	F18
cam_strobe	Flash strobe control signal	O	D25	D26	J20
cam_global_reset	Global reset is used strobe synchronization	IO	C23 / AH3 / AA21	B23/M3/V17	H24/ AA2/ AB20
cam_shutter	Mechanical shutter control signal	O	B23 / AF3 / T21	A23 / T19/ L3	F18/ Y2/ AA18

### NOTE

For more information, see Display Subsystem / Display Subsystem Environment section of the *AM/DM37x Multimedia Device Technical Reference Manual* (literature number [SPRUGN4](#)).

**Table 2-8. Video Interfaces – DSS Signals Description**

SIGNAL NAME <a href="#">[1]</a>	DESCRIPTION <a href="#">[2]</a>	TYPE <a href="#">[3]</a>	BALL BOTTOM (CBP Pkg.) <a href="#">[4]</a>	BALL BOTTOM (CBC Pkg.) <a href="#">[4]</a>	BALL BOTTOM (CUS Pkg.) <a href="#">[4]</a>
dss_pclk	LCD Pixel Clock	O	D28	G25	G22
dss_hsync	LCD Horizontal Synchronization	O	D26	K24	E22
dss_vsync	LCD Vertical Synchronization	O	D27	M25	F22
dss_acbias	AC bias control (STN) or pixel data enable (TFT) output	O	E27	F26	J21
dss_data0	LCD Pixel Data bit 0	O	AG22 / H26	AE21 / M24	AC19 / G24
dss_data1	LCD Pixel Data bit 1	O	AH22 / H25	AE22 / M26	AB19 / H23
dss_data2	LCD Pixel Data bit 2	O	AG23 / E28	AE23 / F25	AD20 / D23
dss_data3	LCD Pixel Data bit 3	O	AH23 / J26	AE24 / N24	AC20 / K22
dss_data4	LCD Pixel Data bit 4	O	AG24 / AC27	AD23 / AC25	AD21 / V21
dss_data5	LCD Pixel Data bit 5	O	AH24 / AC28	AD24 / AB25	AC21 / W21
dss_data6	LCD Pixel Data bit 6	O	E26	G26	D24
dss_data7	LCD Pixel Data bit 7	O	F28	H25	E23
dss_data8	LCD Pixel Data bit 8	O	F27	H26	E24
dss_data9	LCD Pixel Data bit 9	O	G26	J26	F23
dss_data10	LCD Pixel Data bit 10	O	AD28	AC26	AC22

**Table 2-8. Video Interfaces – DSS Signals Description (continued)**

SIGNAL NAME [1]	DESCRIPTION [2]	TYPE [3]	BALL BOTTOM (CBP Pkg.) [4]	BALL BOTTOM (CBC Pkg.) [4]	BALL BOTTOM (CUS Pkg.) [4]
dss_data11	LCD Pixel Data bit 11	O	AD27	AD26	AC23
dss_data12	LCD Pixel Data bit 12	O	AB28	AA25	AB22
dss_data13	LCD Pixel Data bit 13	O	AB27	Y25	Y22
dss_data14	LCD Pixel Data bit 14	O	AA28	AA26	W22
dss_data15	LCD Pixel Data bit 15	O	AA27	AB26	V22
dss_data16	LCD Pixel Data bit 16	O	G25	L25	J22
dss_data17	LCD Pixel Data bit 17	O	H27	L26	G23
dss_data18	LCD Pixel Data bit 18	O	H26 / AH26	M24 / F3	G24 / AB12
dss_data19	LCD Pixel Data bit 19	O	H25 / AG26	M26 / D3	H23 / AC16
dss_data20	LCD Pixel Data bit 20	O	E28 / AF18	F25 / E3	D23 / AD18
dss_data21	LCD Pixel Data bit 21	O	J26 / AF19	N24 / E4	K22 / AC17
dss_data22	LCD Pixel Data bit 22	O	AC27 / AE21	AC25 / G23	V21 / AB16
dss_data23	LCD Pixel Data bit 23	O	AC28 / AF21	AB25 / D4	W21 / AA15

**Table 2-9. Video Interfaces – RFBI Signals Description**

SIGNAL NAME [1]	DESCRIPTION [2]	TYPE [3]	BALL BOTTOM (CBP Pkg.) [4]	BALL BOTTOM (CBC Pkg.) [4]	BALL BOTTOM (CUS Pkg.) [4]	SUBSYSTEM PIN MULTIPLEXING [6]
rfbi_a0	RFBI command/data control	O	E27	F26	J21	dss_acbias
rfbi_cs0	1st LCD chip select	O	D26	K24	E22	dss_hsync
rfbi_da0	RFBI data bus 0	IO	AG22 / H26	AE21 / M24	AC19 / G24	dss_data0
rfbi_da1	RFBI data bus 1	IO	AH22 / H25	AE22 / M26	AB19 / H23	dss_data1
rfbi_da2	RFBI data bus 2	IO	AG23 / E28	AE23 / F25	AD20 / D23	dss_data2
rfbi_da3	RFBI data bus 3	IO	AH23 / J26	AE24 / N24	AC20 / K22	dss_data3
rfbi_da4	RFBI data bus 4	IO	AG24 / AC27	AD23 / AC25	AD21 / V21	dss_data4
rfbi_da5	RFBI data bus 5	IO	AH24 / AC28	AD24 / AB25	AC21 / W21	dss_data5
rfbi_da6	RFBI data bus 6	IO	E26	G26	D24	dss_data6
rfbi_da7	RFBI data bus 7	IO	F28	H25	E23	dss_data7
rfbi_da8	RFBI data bus 8	IO	F27	H26	E24	dss_data8
rfbi_da9	RFBI data bus 9	IO	G26	J26	F23	dss_data9
rfbi_da10	RFBI data bus 10	IO	AD28	AC26	AC22	dss_data10
rfbi_da11	RFBI data bus 11	IO	AD27	AD26	AC23	dss_data11
rfbi_da12	RFBI data bus 12	IO	AB28	AA25	AB22	dss_data12
rfbi_da13	RFBI data bus 13	IO	AB27	Y25	Y22	dss_data13
rfbi_da14	RFBI data bus 14	IO	AA28	AA26	W22	dss_data14
rfbi_da15	RFBI data bus 15	IO	AA27	AB26	V22	dss_data15
rfbi_rd	Read enable for RFBI	O	D28	G25	G22	dss_pclk
rfbi_wr	Write Enable for RFBI	O	D27	M25	F22	dss_vsync
rfbi_te_vsync0	tearing effect removal and Vsync input from 1st LCD	I	G25	L25	J22	dss_data16
rfbi_hsync0	Hsync for 1st LCD	I	H27	L26	G23	dss_data17
rfbi_te_vsync1	tearing effect removal and Vsync input from 2nd LCD	I	H26 / AH26	M24 / F3	G24 / AB12	dss_data18
rfbi_hsync1	Hsync for 2nd LCD	I	H25 / AG26	M26 / D3	H23 / AC16	dss_data19
rfbi_cs1	2nd LCD chip select	O	E28 / AF18	F25 / E3	D23 / AD18	dss_data20

**Table 2-10. Video Interfaces – TV Signals Description**

<b>SIGNAL NAME</b> <a href="#">[1]</a>	<b>DESCRIPTION</b> <a href="#">[2]</a>	<b>TYPE</b> <a href="#">[3]</a>	<b>BALL BOTTOM</b> <b>(CBP Pkg.)</b> <a href="#">[4]</a>	<b>BALL BOTTOM</b> <b>(CBC Pkg.)</b> <a href="#">[4]</a>	<b>BALL BOTTOM</b> <b>(CUS Pkg.)</b> <a href="#">[4]</a>
cvideo1_out	TV analog output Composite: cvideo1_out	AO	Y28	W26	AB24
cvideo2_out	TV analog output S-VIDEO: cvideo2_out	AO	W28	V26	AA23
cvideo1_vfb	cvideo1_vfb: Feedback through external resistor to composite	AO	Y27	W25	AB23
cvideo2_vfb	cvideo2_vfb: Feedback through external resistor to S-VIDEO	AO	W27	U24	Y23
cvideo1_rset	cvideo1 input reference current resistor setting	AIO	W26	V23	Y24

### 2.5.3 Serial Communication Interfaces

For more information, see HDQ/1-Wire / HDQ/1-Wire Environment section of the *AM/DM37x Multimedia Device Technical Reference Manual* (literature number [SPRUGN4](#)).

**Table 2-11. Serial Communication Interfaces – HDQ/1-Wire Signals Description**

SIGNAL NAME [1]	DESCRIPTION [2]	TYPE [3]	BALL BOTTOM (CBP Pkg.) [4]	BALL BOTTOM (CBC Pkg.) [4]	BALL BOTTOM (CUS Pkg.) [4]
hdq_sio	Bidirectional HDQ 1-Wire control and data Interface. Output is open drain.	IOD	J25	J23	A24

For more information, see Multimaster High-Speed I2C Controller / HS I2C Environment section of the *AM/DM37x Multimedia Device Technical Reference Manual* (literature number [SPRUGN4](#)).

**Table 2-12. Serial Communication Interfaces – I<sup>2</sup>C Signals Description**

SIGNAL NAME [1]	DESCRIPTION [2]	TYPE [3]	BALL BOTTOM (CBP Pkg.) [4]	BALL BOTTOM (CBC Pkg.) [4]	BALL BOTTOM (CUS Pkg.) [4]
<b>INTER-INTEGRATED CIRCUIT INTERFACE (I2C1)</b>					
i2c1_scl	I <sup>2</sup> C Master Serial clock. Output is open drain.	OD	K21	J25	K20
i2c1_sda	I <sup>2</sup> C Serial Bidirectional Data. Output is open drain.	IOD	J21	J24	K21
<b>INTER-INTEGRATED CIRCUIT INTERFACE (I2C3)</b>					
i2c3_scl	I <sup>2</sup> C Master Serial clock. Output is open drain.	OD	AF14	AB4	AC13
i2c3_sda	I <sup>2</sup> C Serial Bidirectional Data. Output is open drain.	IOD	AG14	AC4	AC12
i2c3_sccbe	Serial Camera Control Bus Enable	OD	J25	J23	A24
<b>INTER-INTEGRATED CIRCUIT INTERFACE (I2C2)</b>					
i2c2_scl	I <sup>2</sup> C Master Serial clock. Output is open drain.	OD	AF15	C2	AC15
i2c2_sda	I <sup>2</sup> C Serial Bidirectional Data. Output is open drain.	IOD	AE15	C1	AC14
i2c2_sccbe	Serial Camera Control Bus Enable	OD	J25	J23	A24

For more information, see Power Reset and Clock Management / PRCM Introduction to Power Management / SmartReflex Voltage-Control Overview section of the *AM/DM37x Multimedia Device Technical Reference Manual* (literature number [SPRUGN4](#)).

**Table 2-13. Serial Communication Interfaces – SmartReflex Signals Description<sup>(1)</sup>**

SIGNAL NAME [1]	DESCRIPTION [2]	TYPE [3]	BALL BOTTOM (CBP Pkg.) [4]	BALL BOTTOM (CBC Pkg.) [4]	BALL BOTTOM (CUS Pkg.) [4]
<b>INTER-INTEGRATED CIRCUIT INTERFACE (I2C4)</b>					
i2c4_scl	I <sup>2</sup> C Master Serial clock. Output is open drain.	OD	AD26	AD15	Y16
i2c4_sda	I <sup>2</sup> C Serial Bidirectional Data. Output is open drain.	IOD	AE26	W16	Y15

(1) For more information on SmartReflex voltage control, see the PRCM chapter of the *AM/DM37x Multimedia Device Technical Reference Manual* (literature number [SPRUGN4](#)).

For more information, see Multi-Channel Buffered Serial Port / McBSP Environment section of the *AM/DM37x Multimedia Device Technical Reference Manual* (literature number [SPRUGN4](#)).

**Table 2-14. Serial Communication Interfaces – McBSP LP Signals Description**

SIGNAL NAME [1]	DESCRIPTION [2]	TYPE [3]	BALL BOTTOM (CBP Pkg.) [4]	BALL BOTTOM (CBC Pkg.) [4]	BALL BOTTOM (CUS Pkg.) [4]
<b>MULTICHANNEL SERIAL (McBSP LP 1)</b>					

**Table 2-14. Serial Communication Interfaces – McBSP LP Signals Description (continued)**

SIGNAL NAME [1]	DESCRIPTION [2]	TYPE [3]	BALL BOTTOM (CBP Pkg.) [4]	BALL BOTTOM (CBC Pkg.) [4]	BALL BOTTOM (CUS Pkg.) [4]
mcbsp1_dr	Received serial data	I	U21	T20	Y18
mcbsp1_clkr	Receive Clock	IO	Y8 / Y21	U19 / H3	V7 / W19
mcbsp1_fsr	Receive frame synchronization	IO	AA21	V17	AB20
mcbsp1_dx	Transmitted serial data	O	V21	U17	W18
mcbsp1_clkx	Transmit clock	IO	W21	T17	V18
mcbsp1_fsx	Transmit frame synchronization	IO	K26	P20	AA19
mcbsp_clks	External clock input (shared by McBSP1, 2, 3, 4, and 5)	I	T21	T19	AA18
<b>MULTICHANNEL SERIAL (McBSP LP 2)</b>					
mcbsp2_dr	Received serial data	I	R21	T18	V19
mcbsp2_dx	Transmitted serial data	O	M21	R19	R20
mcbsp2_clkx	Combined serial clock	IO	N21	R18	T21
mcbsp2_fsx	Combined frame synchronization	IO	P21	U18	V20
<b>MULTICHANNEL SERIAL (McBSP LP 3)</b>					
mcbsp3_dr	Received serial data	I	AE6 / AB25 / U21	T20 / AA24 / N3	V5 / Y18
mcbsp3_dx	Transmitted serial data	O	AF6 / AB26 / V21	U17 / Y24 / P3	V6 / W18
mcbsp3_clkx	Combined serial clock	IO	AF5 / AA25 / W21	T17 / AD22 / U3	W4 / V18
mcbsp3_fsx	Combined frame synchronization	IO	AE5 / AD25 / K26	P20 / AD21 / W3	V4 / AA19
<b>MULTICHANNEL SERIAL (McBSP LP 4)</b>					
mcbsp4_dr	Received serial data	I	R8 / AD1	C4 / U4	G5
mcbsp4_dx	Transmitted serial data	O	P8 / AD2	B5 / R3	F3
mcbsp4_clkx	Combined serial clock	IO	T8 / AE1	B4 / V3	F4
mcbsp4_fsx	Combined frame synchronization	IO	N8 / AC1	C5 / T3	G4
<b>MULTICHANNEL SERIAL (McBSP LP 5)</b>					
mcbsp5_dr	Received serial data	I	AE11	Y3	AC5
mcbsp5_dx	Transmitted serial data	O	AF13	AE3	AC8
mcbsp5_clkx	Combined serial clock	IO	AF10	AB2	AC1
mcbsp5_fsx	Combined frame synchronization	IO	AH9	AB1	AD2

For more information, see Multichannel SPI / McSPI Environment section of the *AM/DM37x Multimedia Device Technical Reference Manual* (literature number [SPRUGN4](#)).

**Table 2-15. Serial Communication Interfaces – McSPI Signals Description<sup>(1)</sup>**

SIGNAL NAME [1]	DESCRIPTION [2]	TYPE [3]	BALL BOTTOM (CBP Pkg.) [4]	BALL BOTTOM (CBC Pkg.) [4]	BALL BOTTOM (CUS Pkg.) [4]
<b>MULTICHANNEL SERIAL PORT INTERFACE (McSPI1)</b>					
mcspi1_clk	SPI Clock	IO	AB3	P9	T5
mcspi1_simo	Slave data in, master data out	IO	AB4	P8	R4
mcspi1_somi	Slave data out, master data in	IO	AA4	P7	T4
mcspi1_cs0	SPI Enable 0, polarity configured by software	IO	AC2	R7	T6
mcspi1_cs1	SPI Enable 1, polarity configured by software	O	AC3	R8	NA
mcspi1_cs2	SPI Enable 2, polarity configured by software	O	AB1	R9	NA
mcspi1_cs3	SPI Enable 3, polarity configured by software	O	AB2	T8	R5
<b>MULTICHANNEL SERIAL PORT INTERFACE (McSPI2)</b>					
mcspi2_clk	SPI Clock	IO	AA3	W7	N5
mcspi2_simo	Slave data in, master data out	IO	Y2	W8	N4
mcspi2_somi	Slave data out, master data in	IO	Y3	U8	N3
mcspi2_cs0	SPI Enable 0, polarity configured by software	IO	Y4	V8	M5

**Table 2-15. Serial Communication Interfaces – McSPI Signals Description<sup>(1)</sup> (continued)**

SIGNAL NAME <a href="#">[1]</a>	DESCRIPTION <a href="#">[2]</a>	TYPE <a href="#">[3]</a>	BALL BOTTOM (CBP Pkg.) <a href="#">[4]</a>	BALL BOTTOM (CBC Pkg.) <a href="#">[4]</a>	BALL BOTTOM (CUS Pkg.) <a href="#">[4]</a>
mcspi2_cs1	SPI Enable 1, polarity configured by software	O	V3	V9	M4
<b>MULTICHANNEL SERIAL PORT INTERFACE (McSPI3)</b>					
mcspi3_clk	SPI Clock	IO	H26 / AE2 / AE13	W10 / M24 / AA3	G24 / Y1 / AD8
mcspi3_simo	Slave data in, master data out	IO	H25 / AG5 / AF11	R10 / M26 / AC3	H23 / AB5 / AD6
mcspi3_somi	Slave data out, master data in	IO	E28 / AH5 / AG12	F25 / T10 / AD4	D23 / AB3 / AC6
mcspi3_cs0	SPI Enable 0, polarity configured by software	IO	J26 / AF4 / AH12	U9 / N24 / AD3	K22 / V3 / AC7
mcspi3_cs1	SPI Enable 1, polarity configured by software	O	AC27 / AG4 / AH14	AC25 / U10 / AD2	V21 / W3 / AD9
<b>MULTICHANNEL SERIAL PORT INTERFACE (McSPI4)</b>					
mcspi4_clk	SPI Clock	IO	Y8 / Y21	U19 / H3	V7 / W19
mcspi4_simo	Slave data in, master data out	IO	V21	U17	W18
mcspi4_somi	Slave data out, master data in	IO	U21	T20	Y18
mcspi4_cs0	SPI Enable 0, polarity configured by software	IO	K26	P20	AA19

(1) NA in this table stands for "Not applicable".

For more information, see UART/IrDA/CIR / UART/IrDA/CIR Environment section of the *AM/DM37x Multimedia Device Technical Reference Manual* (literature number [SPRUGN4](#)).

**Table 2-16. Serial Communication Interfaces – UARTs Signals Description**

SIGNAL NAME <a href="#">[1]</a>	DESCRIPTION <a href="#">[2]</a>	TYPE <a href="#">[3]</a>	BALL BOTTOM (CBP Pkg.) <a href="#">[4]</a>	BALL BOTTOM (CBC Pkg.) <a href="#">[4]</a>	BALL BOTTOM (CUS Pkg.) <a href="#">[4]</a>
<b>UNIVERSAL ASYNCHRONOUS RECEIVER/TRANSMITTER (UART1)</b>					
uart1_cts	UART1 Clear To Send	I	AG22 / W8 / T21	AE21 / T19 / W2	AC19 / AC2 / AA18
uart1_rts	UART1 Request To Send	O	AH22 / AA9	AE22 / R2	W6 / AB19
uart1_rx	UART1 Receive data	I	F28 / Y8 / AE7	H3 / H25 / AE4	E23 / V7 / AC3
uart1_tx	UART1 Transmit data	O	E26 / AA8	L4 / G26	D24 / W7
<b>UNIVERSAL ASYNCHRONOUS RECEIVER/TRANSMITTER (UART2)</b>					
uart2_cts	UART2 Clear To Send	I	AF6 / AB26 / U26	Y24/ P3/ W20	V6/ U23
uart2_rts	UART2 Request To Send	O	AE6 / AB25 / U27	AA24/ N3/ V18	V5/ U24
uart2_rx	UART2 Receive data	I	AE5 / AD25/ U28	W3/ AD21/ Y20	T23/ V4
uart2_tx	UART2 Transmit data	O	AF5 / AA25/ T27	U3/AD22/V20	T24/ W4
<b>UNIVERSAL ASYNCHRONOUS RECEIVER/TRANSMITTER (UART3) / IrDA</b>					
uart3_cts_rctx	UART3 Clear To Send (input), Remote TX (output)	IO	H18 / U26	W20 / F23	A23 / U23
uart3_rts_sd	UART3 Request To Send, IR enable	O	H19 / U27	V18 / F24	B23 / U24
uart3_rx_irrx	UART3 Receive data, IR and Remote RX	I	AG24 / H20 / U28 / F27	AD23 / Y20 / H24/ H26	AD21 / B24 / T23 / E24
uart3_tx_irtx	UART3 Transmit data, IR TX	O	AH24 / H21 / T27/ G26	AD24 / V20 / J29 / G24	AC21 / C23 / T24/ F23
<b>UNIVERSAL ASYNCHRONOUS RECEIVER/TRANSMITTER (UART4) / IrDA</b>					
uart4_rx	UART4 Receive data	I	J8	C6	NA
uart4_tx	UART4 Transmit data	O	K8	B3	NA

For more information, see High-Speed USB Host Subsystem and High-Speed USB OTG Controller / High-Speed USB Host Subsystem / High-Speed USB Host Subsystem Environment section of the *AM/DM37x Multimedia Device Technical Reference Manual* (literature number [SPRUGN4](#)).

**Table 2-17. Serial Communication Interfaces – USB Signals Description<sup>Section 4.3.6</sup>**

SIGNAL NAME <a href="#">[1]</a>	DESCRIPTION <a href="#">[2]</a>	TYPE <a href="#">[3]</a>	BALL BOTTOM (CBP Pkg.) <a href="#">[4]</a>	BALL BOTTOM (CBC Pkg.) <a href="#">[4]</a>	BALL BOTTOM (CUS Pkg.) <a href="#">[4]</a>
<b>HIGH-SPEED UNIVERSAL SERIAL BUS INTERFACE (HSUSB0)</b>					

**Table 2-17. Serial Communication Interfaces – USB Signals Description** [Section 4.3.6](#) (continued)

SIGNAL NAME [1]	DESCRIPTION [2]	TYPE [3]	BALL BOTTOM (CBP Pkg.) [4]	BALL BOTTOM (CBC Pkg.) [4]	BALL BOTTOM (CUS Pkg.) [4]
hsusb0_clk	Dedicated for external transceiver 60-MHz clock input to PHY	I	T28	W19	R21
hsusb0_stp	Dedicated for external transceiver Stop signal	O	T25	U20	R23
hsusb0_dir	Dedicated for external transceiver Data direction control from PHY	I	R28	V19	P23
hsusb0_nxt	Dedicated for external transceiver Next signal from PHY	I	T26	W18	R22
hsusb0_data0	Dedicated for external transceiver Bidirectional data bus	IO	T27	V20	T24
hsusb0_data1	Dedicated for external transceiver Bidirectional data bus	IO	U28	Y20	T23
hsusb0_data2	Dedicated for external transceiver Bidirectional data bus	IO	U27	V18	U24
hsusb0_data3	Dedicated for external transceiver Bidirectional data bus	IO	U26	W20	U23
hsusb0_data4	Dedicated for external transceiver Bidirectional data bus additional signals for 12-pin ULPI operation	IO	U25	W17	W24
hsusb0_data5	Dedicated for external transceiver Bidirectional data bus additional signals for 12-pin ULPI operation	IO	V28	Y18	V23
hsusb0_data6	Dedicated for external transceiver Bidirectional data bus additional signals for 12-pin ULPI operation	IO	V27	Y19	W23
hsusb0_data7	Dedicated for external transceiver Bidirectional data bus additional signals for 12-pin ULPI operation	IO	V26	Y17	T22
<b>MM_FSUSB3</b>					
mm3_rxdm	Vminus receive data (not used in 3- or 4-pin configurations)	IO	AE3	K3	NA
mm3_rxdp	Vplus receive data (not used in 3- or 4-pin configurations)	IO	AH3	M3	NA
mm3_rxcv	Differential receiver signal input (not used in 3-pin mode)	IO	AD1	U4	NA
mm3_txse0	Single-ended zero. Used as VM in 4-pin VP_VM mode.	IO	AE1	V3	NA
mm3_txdm	USB data. Used as VP in 4-pin VP_VM mode.	IO	AD2	R3	NA
mm3_txen_n	Transmit enable	IO	AC1	T3	NA
<b>MM_FSUSB2</b>					
mm2_rxdm	Vminus receive data (not used in 3- or 4-pin configurations)	IO	AH7	AF7	AD11
mm2_rxdp	Vplus receive data (not used in 3- or 4-pin configurations)	IO	AF7	AF6	AC9
mm2_rxcv	Differential receiver signal input (not used in 3-pin mode)	IO	AG8	AF9	AC11
mm2_txse0	Single-ended zero. Used as VM in 4-pin VP_VM mode.	IO	AH8	AE9	AD12
mm2_txdm	USB data. Used as VP in 4-pin VP_VM mode.	IO	AB2	T8	R5
mm2_txen_n	Transmit enable	IO	V3	V9	M4
<b>MM_FSUSB1</b>					
mm1_rxdm	Vminus receive data (not used in 3- or 4-pin configurations)	IO	AG9	V2	AD5
mm1_rxdp	Vplus receive data (not used in 3- or 4-pin configurations)	IO	AF10	AB2	AC1
mm1_rxcv	Differential receiver signal input (not used in 3-pin mode)	IO	AF11	AC3	AD6
mm1_txse0	Single-ended zero. Used as VM in 4-pin VP_VM mode.	IO	AG12	AD4	AC6
mm1_txdm	USB data. Used as VP in 4-pin VP_VM mode.	IO	AH12	AD3	AC7
mm1_txen_n	Transmit enable	IO	AH14	AD2	AD9
<b>HSUSB2</b>					
hsusb2_clk	Dedicated for external transceiver 60-MHz clock input to PHY	O	AE7	AE4	AC3
hsusb2_stp	Dedicated for external transceiver Stop signal	O	AF7	AF6	AC9
hsusb2_dir	Dedicated for external transceiver Data direction control from PHY	I	AG7	AE6	AC10
hsusb2_nxt	Dedicated for external transceiver Next signal from PHY	I	AH7	AF7	AD11
hsusb2_data0	Dedicated for external transceiver Bidirectional data bus	IO	AG8	AF9	AC11
hsusb2_data1	Dedicated for external transceiver Bidirectional data bus	IO	AH8	AE9	AD12
hsusb2_data2	Dedicated for external transceiver Bidirectional data bus	IO	AB2	T8	R5
hsusb2_data3	Dedicated for external transceiver Bidirectional data bus	IO	V3	V9	M4
hsusb2_data4	Dedicated for external transceiver Bidirectional data bus additional signals for 12-pin ULPI operation	IO	Y2	W8	N4
hsusb2_data5	Dedicated for external transceiver Bidirectional data bus additional signals for 12-pin ULPI operation	IO	Y3	U8	N3
hsusb2_data6	Dedicated for external transceiver Bidirectional data bus additional signals for 12-pin ULPI operation	IO	Y4	V8	M5

**Table 2-17. Serial Communication Interfaces – USB Signals Description** [Section 4.3.6](#) (continued)

SIGNAL NAME <a href="#">[1]</a>	DESCRIPTION <a href="#">[2]</a>	TYPE <a href="#">[3]</a>	BALL BOTTOM (CBP Pkg.) <a href="#">[4]</a>	BALL BOTTOM (CBC Pkg.) <a href="#">[4]</a>	BALL BOTTOM (CUS Pkg.) <a href="#">[4]</a>
hsusb2_data7	Dedicated for external transceiver Bidirectional data bus additional signals for 12-pin ULPI operation	IO	AA3	W7	N5
<b>HSUSB1</b>					
hsusb1_clk	Dedicated for external transceiver 60-MHz clock input to PHY	O	AE10	AB3	AD3
hsusb1_stp	Dedicated for external transceiver Stop signal	O	AF10	AB2	AC1
hsusb1_dir	Dedicated for external transceiver data direction control from PHY	I	AF9	AA4	AC4
hsusb1_nxt	Dedicated for external transceiver Next signal from PHY	I	AG9	V2	AD5
hsusb1_data0	Dedicated for external transceiver Bidirectional data bus	IO	AF11	AC3	AD6
hsusb1_data1	Dedicated for external transceiver Bidirectional data bus	IO	AG12	AD4	AC6
hsusb1_data2	Dedicated for external transceiver Bidirectional data bus	IO	AH12	AD3	AC7
hsusb1_data3	Dedicated for external transceiver Bidirectional data bus	IO	AH14	AD2	AD9
hsusb1_data4	Dedicated for external transceiver Bidirectional data bus additional signals for 12-pin ULPI operation	IO	AE11	Y3	AC5
hsusb1_data5	Dedicated for external transceiver Bidirectional data bus additional signals for 12-pin ULPI operation	IO	AH9	AB1	AD2
hsusb1_data6	Dedicated for external transceiver Bidirectional data bus additional signals for 12-pin ULPI operation	IO	AF13	AE3	AC8
hsusb1_data7	Dedicated for external transceiver Bidirectional data bus additional signals for 12-pin ULPI operation	IO	AE13	AA3	AD8

- NA in this table stands for "Not applicable".
- This pin is not supported on the CUS package.



## 2.5.4 Removable Media Interfaces

For more information, see MMC/SDIO Card Interface / MMC/SDIO Environment section of the *AM/DM37x Multimedia Device Technical Reference Manual* (literature number [SPRUGN4](#)).

**Table 2-18. Removable Media Interfaces – MMC/SDIO Signals Description**

SIGNAL NAME <a href="#">[1]</a>	DESCRIPTION <a href="#">[2]</a>	TYPE <a href="#">[3]</a>	BALL BOTTOM (CBP Pkg.) <a href="#">[4]</a>	BALL BOTTOM (CBC Pkg.) <a href="#">[4]</a>	BALL BOTTOM (CUS Pkg.) <a href="#">[4]</a>
<b>MULTIMEDIA MEMORY CARD (MMC1) / SECURE DIGITAL IO (SDIO1)</b>					
mmc1_clk	MMC/SD Output Clock	O	N28	N19	M23
mmc1_cmd	MMC/SD command signal	IO	M27	L18	L23
mmc1_dat0	MMC/SD Card Data bit 0 / SPI Serial Input	IO	N27	M19	M22
mmc1_dat1	MMC/SD Card Data bit 1	IO	N26	M18	M21
mmc1_dat2	MMC/SD Card Data bit 2	IO	N25	K18	M20
mmc1_dat3	MMC/SD Card Data bit 3	IO	P28	N20	N23
<b>MULTIMEDIA MEMORY CARD (MMC2) / SECURE DIGITAL IO (SDIO2)</b>					
mmc2_clk	MMC/SD Output Clock	O	AE2	W10	Y1
mmc2_dir_dat0	Direction control for DAT0 signal case an external transceiver used	O	AE4	V10	AB2
mmc2_dir_dat1	Direction control for DAT1 and DAT3 signals case an external transceiver used	O	AH3	M3	AA2
mmc2_dir_dat2	Direction control for DAT2 signal case an external transceiver used	O	AF19	E4	AC17
mmc2_dir_dat3	Direction control for DAT4, DAT5, DAT6, and DAT7 signals case an external transceiver used	O	AE21	G3	AB16
mmc2_clkin	MMC/SD input Clock	I	AE3	K3	AA1
mmc2_dat0	MMC/SD Card Data bit 0	IO	AH5	T10	AB3
mmc2_dat1	MMC/SD Card Data bit 1	IO	AH4	T9	Y3
mmc2_dat2	MMC/SD Card Data bit 2	IO	AG4	U10	W3
mmc2_dat3	MMC/SD Card Data bit 3	IO	AF4	U9	V3
mmc2_dat4	MMC/SD Card Data bit 4	IO	AE4 / AB3	P9 / V10	AB2 / T5
mmc2_dat5	MMC/SD Card Data bit 5	IO	AH3 / AB4	M3/P8	AA2 / R4
mmc2_dat6	MMC/SD Card Data bit 6	IO	AF3 / AA4	L3/P7	Y2 / T4
mmc2_dat7	MMC/SD Card Data bit 7	IO	AE3 / AC2	K3/R7	AA1 / T6
mmc2_dir_cmd	Direction control for CMD signal case an external transceiver is used	O	AF3	L3	Y2
mmc2_cmd	MMC/SD command signal	IO	AG5	R10	AB5
<b>MULTIMEDIA MEMORY CARD (MMC3) / SECURE DIGITAL IO (SDIO3)</b>					
mmc3_clk	MMC/SD Output Clock	O	AB1 / AF10	R9 / AB2	AC1
mmc3_cmd	MMC/SD command signal	IO	AC3 / AE10	R8 / AB3	AD3
mmc3_dat0	MMC/SD Card Data bit 0 / SPI Serial Input	IO	AE4 / AE11	V10 / Y3	AB2 / AC5
mmc3_dat1	MMC/SD Card Data bit 1	IO	AH3 / AH9	M3/AB1	AA2 / AD2
mmc3_dat2	MMC/SD Card Data bit 2	IO	AF3 / AF13	L3/AE3	Y2 / AC8
mmc3_dat3	MMC/SD Card Data bit 3	IO	AE3 / AE13	K3/AA3	AA1 / AD8
mmc3_dat4	MMC/SD Card Data bit 4	IO	AF11	AC3	AD6
mmc3_dat5	MMC/SD Card Data bit 5	IO	AG9	V2	AD5
mmc3_dat6	MMC/SD Card Data bit 6	IO	AF9	AA4	AC4
mmc3_dat7	MMC/SD Card Data bit 7	IO	AH14	AD2	AD9

## 2.5.5 Test Interfaces

**Table 2-19. Test Interfaces – ETK Signals Description**

SIGNAL NAME [1]	DESCRIPTION [2]	TYPE [3]	BALL BOTTOM (CBP Pkg.) [4]	BALL BOTTOM (CBC Pkg.) [4]	BALL BOTTOM (CUS Pkg.) [4]
etk_ctl	ETK trace ctl	O	AE10	AB3	AD3
etk_clk	ETK trace clock	O	AF10	AB2	AC1
etk_d0	ETK data 0	O	AF11	AC3	AD6
etk_d1	ETK data 1	O	AG12	AD4	AC6
etk_d2	ETK data 2	O	AH12	AD3	AC7
etk_d3	ETK data 3	O	AE13	AA3	AD8
etk_d4	ETK data 4	O	AE11	Y3	AC5
etk_d5	ETK data 5	O	AH9	AB1	AD2
etk_d6	ETK data 6	O	AF13	AE3	AC8
etk_d7	ETK data 7	O	AH14	AD2	AD9
etk_d8	ETK data 8	O	AF9	AA4	AC4
etk_d9	ETK data 9	O	AG9	V2	AD5
etk_d10	ETK data 10	O	AE7	AE4	AC3
etk_d11	ETK data 11	O	AF7	AF6	AC9
etk_d12	ETK data 12	O	AG7	AE6	AC10
etk_d13	ETK data 13	O	AH7	AF7	AD11
etk_d14	ETK data 14	O	AG8	AF9	AC11
etk_d15	ETK data 15	O	AH8	AE9	AD12

**Table 2-20. Test Interfaces – JTAG Signals Description**

SIGNAL NAME [1]	DESCRIPTION [2]	TYPE [3]	BALL BOTTOM (CBP Pkg.) [4]	BALL BOTTOM (CBC Pkg.) [4]	BALL BOTTOM (CUS Pkg.) [4]
jtag_nrst	Test Reset	I	AA17	U15	AB7
jtag_tck	Test Clock	I	AA13	V14	AB6
jtag_rtck	ARM Clock Emulation	O	AA12	W13	AA7
jtag_tms_tmisc	Test Mode Select	IO	AA18	V15	AA9
jtag_tdi	Test Data Input	I	AA20	U16	AB10
jtag_tdo	Test Data Output	O	AA19	Y13	AB9
jtag_emu0	Test emulation 0	IO	AA11	Y15	AC24
jtag_emu1	Test emulation 1	IO	AA10	Y14	AD24

**Table 2-21. Test Interfaces – SDTI Signals Description**

SIGNAL NAME [1]	DESCRIPTION [2]	TYPE [3]	BALL BOTTOM (CBP Pkg.) [4]	BALL BOTTOM (CBC Pkg.) [4]	BALL BOTTOM (CUS Pkg.) [4]	SUBSYSTEM SIGNAL MULTIPLEXING [6]
sdti_clk	Serial clock dual edge	O	AF7 / AA11 / AG8	AF6 / Y15 / AF9	AC9 / AC24 / AC11	etk_d11 / jtag_emu0 / etk_d14
sdti_txd0	Serial data out (System Trace messages)	O	AG7 / AA10 / AA11	AE6 / Y14 / Y15	AC10 / AD24 / AC24	etk_d12 / jtag_emu1 / jtag_emu0
sdti_txd1	Serial data out (System Trace messages)	O	AH7 / AA10	AF7 / Y14	AD11 / AD24	etk_d13 / jtag_emu1
sdti_txd2	Serial data out (System Trace messages)	O	AG8	AF9	AC11	etk_d14
sdti_txd3	Serial data out (System Trace messages)	O	AH8	AE9	AD12	etk_d15

**Table 2-22. Test Interfaces – HWDBG Signals Description**

SIGNAL NAME [1]	DESCRIPTION [2]	TYPE [3]	BALL BOTTOM (CBP Pkg.) [4]	BALL BOTTOM (CBC Pkg.) [4]	BALL BOTTOM (CUS Pkg.) [4]
hw_dbg0	Debug signal 0	O	A24 / AF10	C23/AB2	AC1/A22
hw_dbg1	Debug signal 1	O	A23 / AE10	D23/AB3	AD3/E18
hw_dbg2	Debug signal 2	O	C27/ AF11	C26/AC3	AD6/J19
hw_dbg3	Debug signal 3	O	C23 / AG12	B23/AD4	AC6/H24
hw_dbg4	Debug signal 4	O	B24 / AH12	A24/AD3	AC7/G19
hw_dbg5	Debug signal 5	O	C24 / AE13	B24/AA3	AD8/F19
hw_dbg6	Debug signal 6	O	D24 / AE11	D24/Y3	AC5/G20
hw_dbg7	Debug signal 7	O	A25 / AH9	C24/AB1	AD2/B21
hw_dbg8	Debug signal 8	O	B25 / AF13	D25/AE3	AC8/F21
hw_dbg9	Debug signal 9	O	C26 / AH14	E26/AD2	AD9/G21
hw_dbg10	Debug signal 10	O	B23 / AF9	A23/AA4	AC4/F18
hw_dbg11	Debug signal 11	O	D25 / AG9	D26/V2	AD5/J20
hw_dbg12	Debug signal 12	O	D28 / AE7	G25/AE4	AC3/G22
hw_dbg13	Debug signal 13	O	D26 / AF7	K24/AF6	AC9/E22
hw_dbg14	Debug signal 14	O	E26 / AG7	G26/AE6	AC10/D24
hw_dbg15	Debug signal 15	O	F28 / AH7	H25/AF7	AD11/E23
hw_dbg16	Debug signal 16	O	F27 / AG8	H26/AF9	AC11/E24
hw_dbg17	Debug signal 17	O	G26 / AH8	J26/AE9	AD12/F23

## 2.5.6 Miscellaneous

For more information, see Timers / GP Timers / GP Timers Environment section of the *AM/DM37x Multimedia Device Technical Reference Manual* (literature number [SPRUGN4](#)).

**Table 2-23. Miscellaneous – GP Timer Signals Description**

SIGNAL NAME [1]	DESCRIPTION [2]	TYPE [3]	BALL BOTTOM (CBP Pkg.) [4]	BALL BOTTOM (CBC Pkg.) [4]	BALL BOTTOM (CUS Pkg.) [4]
gpt_8_pwm_evt	PWM or event for GP timer 8	IO	N8 / AD25 / V3	C5 / AD21/ V9	G4/ M4
gpt_9_pwm_evt	PWM or event for GP timer 9	IO	T8 / AB26 / Y2	B4 / W8 / Y24	F4 / N4
gpt_10_pwm_evt	PWM or event for GP timer 10	IO	R8 / AB25 / Y3	C4 / U8 / AA24	G5 / N3
gpt_11_pwm_evt	PWM or event for GP timer 11	IO	P8 / AA25 / Y4	B5 / V8 / AD22	F3 / M5

## 2.5.7 General-Purpose IOs

For more information, see General-Purpose Interface / General-Purpose Interface Environment section of the *AM/DM37x Multimedia Device Technical Reference Manual* (literature number [SPRUGN4](#)).

**Table 2-24. General-Purpose IOs Signals Description<sup>(1)</sup>**

SIGNAL NAME [1]	DESCRIPTION [2]	TYPE [3]	BALL BOTTOM (CBP Pkg.) [4]	BALL BOTTOM (CBC Pkg.) [4]	BALL BOTTOM (CUS Pkg.) [4]
gpio_0	General-purpose IO 0	IO	AF26	V16	W16
gpio_1	General-purpose IO 1	IO	AF25	W15	Y13
gpio_2	General-purpose IO 2	IO	AH26	F3	AB12
gpio_3	General-purpose IO 3	IO	AG26	D3	AC16
gpio_4	General-purpose IO 4	IO	AE14	C3	AD17
gpio_5	General-purpose IO 5	IO	AF18	E3	AD18
gpio_6	General-purpose IO 6	IO	AF19	E4	AC17
gpio_7	General-purpose IO 7	IO	AE21	G3	AB16
gpio_8	General-purpose IO 8	IO	AF21	D4	AA15
gpio_9	General-purpose IO 9	IO	AF22	V12	AD23
gpio_10	General-purpose IO 10	IO	AG25	AE14	Y7
gpio_11	General-purpose IO 11	IO	AA11	Y15	AC24
gpio_12	General-purpose IO 12	IO	AF10	AB2	AC1
gpio_13	General-purpose IO 13	IO	AE10	AB3	AD3
gpio_14	General-purpose IO 14	IO	AF11	AC3	AD6
gpio_15	General-purpose IO 15	IO	AG12	AD4	AC6
gpio_16	General-purpose IO 16	IO	AH12	AD3	AC7
gpio_17	General-purpose IO 17	IO	AE13	AA3	AD8
gpio_18	General-purpose IO 18	IO	AE11	Y3	AC5
gpio_19	General-purpose IO 19	IO	AH9	AB1	AD2
gpio_20	General-purpose IO 20	IO	AF13	AE3	AC8
gpio_21	General-purpose IO 21	IO	AH14	AD2	AD9
gpio_22	General-purpose IO 22	IO	AF9	AA4	AC4
gpio_23	General-purpose IO 23	IO	AG9	V2	AD5
gpio_24	General-purpose IO 24	IO	AE7	AE4	AC3
gpio_25	General-purpose IO 25	IO	AF7	AF6	AC9
gpio_26	General-purpose IO 26	IO	AG7	AE6	AC10
gpio_27	General-purpose IO 27	IO	AH7	AF7	AD11
gpio_28	General-purpose IO 28	IO	AG8	AF9	AC11
gpio_29	General-purpose IO 29	IO	AH8	AE9	AD12
gpio_30	General-purpose IO 30	IO	AF24	AD7	Y10
gpio_31	General-purpose IO 31	IO	AA10	Y14	AD24
gpio_34	General-purpose IO 34	IO	N4	J2	K4
gpio_35	General-purpose IO 35	IO	M4	H1	K3
gpio_36	General-purpose IO 36	IO	L4	H2	K2
gpio_37	General-purpose IO 37	IO	K4	G2	J4
gpio_38	General-purpose IO 38	IO	T3	F1	J3
gpio_39	General-purpose IO 39	IO	R3	F2	J2
gpio_40	General-purpose IO 40	IO	N3	E1	J1
gpio_41	General-purpose IO 41	IO	M3	E2	H1
gpio_42	General-purpose IO 42	IO	L3	D1	H2
gpio_43	General-purpose IO 43	IO	K3	D2	G2
gpio_44	General-purpose IO 44	IO	H2	V1	R2
gpio_45	General-purpose IO 45	IO	K2	Y1	T2
gpio_46	General-purpose IO 46	IO	P1	T1	U1
gpio_47	General-purpose IO 47	IO	R1	U2	R3

**Table 2-24. General-Purpose IOs Signals Description<sup>(1)</sup> (continued)**

SIGNAL NAME [1]	DESCRIPTION [2]	TYPE [3]	BALL BOTTOM (CBP Pkg.) [4]	BALL BOTTOM (CBC Pkg.) [4]	BALL BOTTOM (CUS Pkg.) [4]
gpio_48	General-purpose IO 48	IO	R2	U1	T3
gpio_49	General-purpose IO 49	IO	T2	P1	U2
gpio_50	General-purpose IO 50	IO	W1	L2	V1
gpio_51	General-purpose IO 51	IO	Y1	M2	V2
gpio_52	General-purpose IO 52	IO	H3	AD1	NA
gpio_53	General-purpose IO 53	IO	V8	A3	NA
gpio_54	General-purpose IO 54	IO	U8	B6	D2
gpio_55	General-purpose IO 55	IO	T8	B4	F4
gpio_56	General-purpose IO 56	IO	R8	C4	G5
gpio_57	General-purpose IO 57	IO	P8	B5	F3
gpio_58	General-purpose IO 58	IO	N8	C5	G4
gpio_59	General-purpose IO 59	IO	T4	N1	W2
gpio_60	General-purpose IO 60	IO	G3	K2	K5
gpio_61	General-purpose IO 61	IO	U3	J1	L1
gpio_62	General-purpose IO 62	IO	H1	AC6	E1
gpio_63	General-purpose IO 63	IO	L8	AC8	NA
gpio_64	General-purpose IO 64	IO	K8	B3	NA
gpio_65	General-purpose IO 65	IO	J8	C6	C2
gpio_66	General-purpose IO 66	IO	D28	G25	G22
gpio_67	General-purpose IO 67	IO	D26	K24	E22
gpio_68	General-purpose IO 68	IO	D27	M25	F22
gpio_69	General-purpose IO 69	IO	E27	F26	J21
gpio_70	General-purpose IO 70	IO	AG22	AE21	AC19
gpio_71	General-purpose IO 71	IO	AH22	AE22	AB19
gpio_72	General-purpose IO 72	IO	AG23	AE23	AD20
gpio_73	General-purpose IO 73	IO	AH23	AE24	AC20
gpio_74	General-purpose IO 74	IO	AG24	AD23	AD21
gpio_75	General-purpose IO 75	IO	AH24	AD24	AC21
gpio_76	General-purpose IO 76	IO	E26	G26	D24
gpio_77	General-purpose IO 77	IO	F28	H25	E23
gpio_78	General-purpose IO 78	IO	F27	H26	E24
gpio_79	General-purpose IO 79	IO	G26	J26	F23
gpio_80	General-purpose IO 80	IO	AD28	AC26	AC22
gpio_81	General-purpose IO 81	IO	AD27	AD26	AC23
gpio_82	General-purpose IO 82	IO	AB28	AA25	AB22
gpio_83	General-purpose IO 83	IO	AB27	Y25	Y22
gpio_84	General-purpose IO 84	IO	AA28	AA26	W22
gpio_85	General-purpose IO 85	IO	AA27	AB26	V22
gpio_86	General-purpose IO 86	IO	G25	L25	J22
gpio_87	General-purpose IO 87	IO	H27	L26	G23
gpio_88	General-purpose IO 88	IO	H26	M24	G24
gpio_89	General-purpose IO 89	IO	H25	M26	H23
gpio_90	General-purpose IO 90	IO	E28	F25	D23
gpio_91	General-purpose IO 91	IO	J26	N24	K22
gpio_92	General-purpose IO 92	IO	AC27	AC25	V21
gpio_93	General-purpose IO 93	IO	AC28	AB25	W21
gpio_94	General-purpose IO 94	IO	A24	C23	A22
gpio_95	General-purpose IO 95	IO	A23	D23	E18
gpio_96	General-purpose IO 96	IO	C25	C25	B22
gpio_97	General-purpose IO 97	IO	C27	C26	J19
gpio_98	General-purpose IO 98	IO	C23	B23	H24

**Table 2-24. General-Purpose IOs Signals Description<sup>(1)</sup> (continued)**

SIGNAL NAME [1]	DESCRIPTION [2]	TYPE [3]	BALL BOTTOM (CBP Pkg.) [4]	BALL BOTTOM (CBC Pkg.) [4]	BALL BOTTOM (CUS Pkg.) [4]
gpio_99	General-purpose IO 99	I	AG17	AE16	AB18
gpio_100	General-purpose IO 100	I	AH17	AE15	AC18
gpio_101	General-purpose IO 101	IO	B24	A24	G19
gpio_102	General-purpose IO 102	IO	C24	B24	F19
gpio_103	General-purpose IO 103	IO	D24	D24	G20
gpio_104	General-purpose IO 104	IO	A25	C24	B21
gpio_105	General-purpose IO 105	I	K28	P25	L24
gpio_106	General-purpose IO 106	I	L28	P26	K24
gpio_107	General-purpose IO 107	I	K27	N25	J23
gpio_108	General-purpose IO 108	I	L27	N26	K23
gpio_109	General-purpose IO 109	IO	B25	D25	F21
gpio_110	General-purpose IO 110	IO	C26	E26	G21
gpio_111	General-purpose IO 111	IO	B26	E25	C22
gpio_112	General-purpose IO 112	I	AG19	AD17	NA
gpio_113	General-purpose IO 113	I	AH19	AD16	NA
gpio_114	General-purpose IO 114	I	AG18	AE18	NA
gpio_115	General-purpose IO 115	I	AH18	AE17	NA
gpio_116	General-purpose IO 116	IO	P21	U18	V20
gpio_117	General-purpose IO 117	IO	N21	R18	T21
gpio_118	General-purpose IO 118	IO	R21	T18	V19
gpio_119	General-purpose IO 119	IO	M21	R19	R20
gpio_120	General-purpose IO 120	IO	N28 <sup>(3)</sup> / T28	W19 / N19 <sup>(3)</sup>	M23 <sup>(3)</sup> / R21
gpio_121	General-purpose IO 121	IO	M27 <sup>(3)</sup> / T25	U20 / L18 <sup>(3)</sup>	L23 <sup>(3)</sup> / R23
gpio_122	General-purpose IO 122	IO	N27 <sup>(3)</sup> / R28	V19 / M19 <sup>(3)</sup>	M22 <sup>(3)</sup> / P23
gpio_123	General-purpose IO 123	IO	N26 <sup>(3)</sup>	M18 <sup>(3)</sup>	M21 <sup>(3)</sup>
gpio_124	General-purpose IO 124	IO	N25 <sup>(3)</sup> / T26	W18 / K18 <sup>(3)</sup>	M20 <sup>(3)</sup> /R22
gpio_125	General-purpose IO 125	IO	P28 <sup>(3)</sup> / T27	V20 / N20 <sup>(3)</sup>	N23 <sup>(3)</sup> /T24
gpio_126	General-purpose IO 126	IO	D25 / P27 <sup>(3)</sup>	M20 <sup>(3)</sup> / D26	J20 / N22 <sup>(3)</sup>
gpio_127	General-purpose IO 127	IO	P26 <sup>(3)</sup>	P17 <sup>(3)</sup>	NA
gpio_128	General-purpose IO 128	IO	R27	P18	NA
gpio_129	General-purpose IO 129	IO	R25 <sup>(3)</sup>	P19 <sup>(3)</sup>	P24 <sup>(3)</sup>
gpio_130	General-purpose IO 130	IO	AE2 / U28	Y20 / W10	Y1 / T23
gpio_131	General-purpose IO 131	IO	AG5 / U27	V18 / R10	AB5 / U24
gpio_132	General-purpose IO 132	IO	AH5	T10	AB3
gpio_133	General-purpose IO 133	IO	AH4	T9	Y3
gpio_134	General-purpose IO 134	IO	AG4	U10	W3
gpio_135	General-purpose IO 135	IO	AF4	U9	V3
gpio_136	General-purpose IO 136	IO	AE4	V10	AB2
gpio_137	General-purpose IO 137	IO	AH3	M3	AA2
gpio_138	General-purpose IO 138	IO	AF3	L3	Y2
gpio_139	General-purpose IO 139	IO	AE3	K3	AA1
gpio_140	General-purpose IO 140	IO	AF6	P3	V6
gpio_141	General-purpose IO 141	IO	AE6	N3	V5
gpio_142	General-purpose IO 142	IO	AF5	U3	W4
gpio_143	General-purpose IO 143	IO	AE5	W3	V4
gpio_144	General-purpose IO 144	IO	AB26	Y24	NA
gpio_145	General-purpose IO 145	IO	AB25	AA24	NA
gpio_146	General-purpose IO 146	IO	AA25	AD22	NA
gpio_147	General-purpose IO 147	IO	AD25	AD21	NA
gpio_148	General-purpose IO 148	IO	AA8	L4	W7
gpio_149	General-purpose IO 149	IO	AA9	R2	W6

**Table 2-24. General-Purpose IOs Signals Description<sup>(1)</sup> (continued)**

SIGNAL NAME [1]	DESCRIPTION [2]	TYPE [3]	BALL BOTTOM (CBP Pkg.) [4]	BALL BOTTOM (CBC Pkg.) [4]	BALL BOTTOM (CUS Pkg.) [4]
gpio_150	General-purpose IO 150	IO	W8	W2	AC2
gpio_151	General-purpose IO 151	IO	Y8	H3	V7
gpio_152	General-purpose IO 152	IO	AE1	V3	NA
gpio_153	General-purpose IO 153	IO	AD1	U4	NA
gpio_154	General-purpose IO 154	IO	AD2	R3	NA
gpio_155	General-purpose IO 155	IO	AC1	T3	NA
gpio_156	General-purpose IO 156	IO	Y21	U19	W19
gpio_157	General-purpose IO 157	IO	AA21	V17	AB20
gpio_158	General-purpose IO 158	IO	V21	U17	W18
gpio_159	General-purpose IO 159	IO	U21	T20	Y18
gpio_160	General-purpose IO 160	IO	T21	T19	AA18
gpio_161	General-purpose IO 161	IO	K26	P20	AA19
gpio_162	General-purpose IO 162	IO	W21	T17	V18
gpio_163	General-purpose IO 163	IO	H18	F23	A23
gpio_164	General-purpose IO 164	IO	H19	F24	B23
gpio_165	General-purpose IO 165	IO	H20	H24	B24
gpio_166	General-purpose IO 166	IO	H21	G24	C23
gpio_167	General-purpose IO 167	IO	B23	A23	F18
gpio_168	General-purpose IO 168	IO	AF15	C2	AC15
gpio_169	General-purpose IO 169	IO	U26	W20	U23
gpio_170	General-purpose IO 170	IO	J25	J23	A24
gpio_171	General-purpose IO 171	IO	AB3	P9	T5
gpio_172	General-purpose IO 172	IO	AB4	P8	R4
gpio_173	General-purpose IO 173	IO	AA4	P7	T4
gpio_174	General-purpose IO 174	IO	AC2	R7	T6
gpio_175	General-purpose IO 175	IO	AC3	R8	NA
gpio_176	General-purpose IO 176	IO	AB1	R9	NA
gpio_177	General-purpose IO 177	IO	AB2	T8	R5
gpio_178	General-purpose IO 178	IO	AA3	W7	N5
gpio_179	General-purpose IO 179	IO	Y2	W8	N4
gpio_180	General-purpose IO 180	IO	Y3	U8	N3
gpio_181	General-purpose IO 181	IO	Y4	V8	M5
gpio_182	General-purpose IO 182	IO	V3	V9	M4
gpio_183	General-purpose IO 183	IO	AE15	C1	AC14
gpio_184	General-purpose IO 184	IO	AF14	AB4	AC13
gpio_185	General-purpose IO 185	IO	AG14	AC4	AC12
gpio_186	General-purpose IO 186	IO	AE22	W11	AA6
gpio_188	General-purpose IO 188	IO	U25	W17	W24
gpio_189	General-purpose IO 189	IO	V28	Y18	V23
gpio_190	General-purpose IO 190	IO	V27	Y19	W23
gpio_191	General-purpose IO 191	IO	V26	Y17	T22

(1) NA in table stands for "Not Applicable".

(2) The subsystem pin multiplexing options are not described in [Table 2-1](#) and [Table 2-4](#).

(3) The usage of this GPIO is strongly restricted. For more information, see the General-Purpose Interface / General-Purpose Interface Environment section of the *AM/DM37x Multimedia Device Technical Reference Manual* (literature number [SPRUGN4](#)).

## 2.5.8 Power Supplies

**Note:** For more information, see Power Reset and Clock Management / PRCM Environment and the Power, Reset, and Clock Management / PRCM Functional Description / PRCM Voltage Management Functional Description sections of the *AM/DM37x Multimedia Device Technical Reference Manual* (literature number [SPRUGN4](#)).

**Table 2-25. Power Supplies Signals Description<sup>(1)</sup>**

SIGNAL NAME [1]	DESCRIPTION [2]	BALL BOTTOM (CBP Pkg.) [4]	BALL TOP (CBP Pkg.) <sup>(2)</sup> [5]	BALL BOTTOM (CBC Pkg.) [4]	BALL TOP (CBC Pkg.) <sup>(2)</sup> [5]	BALL BOTTOM (CUS Pkg.) <sup>(2)</sup> [4]
vdd_mpu_iva	MPU/IVA power supply	Y9 / W9 / T9 / R9 / M9 / L9 / J9 / Y10 / U10 / T10 / R10 / N10 / M10 / L10 / J10 / Y11 / W11 / K11 / J11 / W12 / K13 / Y14 / K14 / J14 / Y15 / W15 / J15	NA	H7/ N7/ U7/ V7/ N8/ G9/ L9/ M9/ W9/ Y9/ M10/ P10/ K11/ U11/ V11/ Y11/ G12/ D13/ U13	NA	W13/ W12/ V13/ V12/ U13/ U12/ T8/ T7/ R8/ R7/ R6/ N8/ N7/ N6/ M12/ M8/ M7/ M6/ L12/ L11/ J10/ J9/ H10/ H9/ G10/ G9/F10
vdd_core	Core power domain	AC4 / J4 / H4 / D8 / AE9 / D9 / D15 / Y16 / AE18 / Y18 / W18 / K18 / J18 / AE19 / Y19 / U19 / T19 / N19 / M19 / J19 / Y20 / W20 / V20 / U20 / P20 / N20 / K20 / J20 / D22 / D23 / AE24 / M25 / L25 / E25	NA	M7/ T7/ Y8/ G11/ Y12/ D15/ M17/ G18/ H20/ R20/ AC21	NA	T20/ T19/ T18/ T17/ R19/ R18/ R17/ M15/ M14/ L15/ L14/ K19/ K18/ K17/ J18/ J17/ H13/ H12/ G13/ G12/ F13/ F12
cap_vddu_wkup_logic	Decoupling capacitor for WKUP/EMU domains (logic)	AA15	NA	K14	NA	Y12
vdda_dplls_dll	Input power for the analog part of the MPU, CORE DPLLs, IVA, and the DLL	K15	NA	K13	NA	G18
vdda_dac	Video DAC power plane	V25	NA	V25	NA	AB13
vssa_dac	Video DAC ground plane	Y26	NA	V24	NA	AB15
vdds	1.8-V power for standard IOs	AD3 / AD4 / W4 / AF8 / AE8 / AF16 / AE16 / AF23 / AE23 / F25 / F26 / AG27	NA	G4/ M4/ T4/ Y4/ L7/ AC7/ D9/ AE10/ C11/ J15/ AC15/ A18/ J18/ AC18/ AD20/ E24/ L24/ T24/ W24/ AC24 / AB24	A3 / A15 / B5 / F2 / F21 / L20 / W21	Y9 / W10 / W9 / V10 / V9 / U10 / N19 / N18 / N17 / M19 / M18 / M17
vdds_mem	Memory IO power plane	U1 / J1 / F1 / J2 / F2 / R4 / B5 / A5 / AH6 / B8 / A8 / B12 / A12 / D16 / C16 / B18 / A18 / B22 / A22 / G28 / C28	AC5 / P1 / H1 / F23 / E1 / C23 / A4 / A7 / A10 / A15 / A18	NA	NA	K8 / K7 / K6 / J8 / J7 / J6 / H15 / G16 / G15 / F16 / F15 / E16
vdda_dppll_per	Input power for the analog part of the Peripheral DPLLs	AA16	NA	U14	NA	U17
vdda_wkup_bg_bb	For wakeup LDO and VDDA (2 LDOs SRAM and BG)	AA14	NA	W14	NA	AA13



**Table 2-25. Power Supplies Signals Description<sup>(1)</sup> (continued)**

SIGNAL NAME [1]	DESCRIPTION [2]	BALL BOTTOM (CBP Pkg.) [4]	BALL TOP (CBP Pkg.) <sup>(2)</sup> [5]	BALL BOTTOM (CBC Pkg.) [4]	BALL TOP (CBC Pkg.) <sup>(2)</sup> [5]	BALL BOTTOM (CUS Pkg.) <sup>(2)</sup> [4]
vss	Ground	AG2 / U2 / B2 / AG3 / W3 / P3 / J3 / E3 / A3 / P4 / E4 / AG6 / D7 / C7 / V9 / U9 / P9 / N9 / K9 / W10 / V10 / P10 / K10 / D10 / C10 / AF12 / AE12 / Y12 / K12 / J12 / Y13 / W13 / J13 / D13 / C13 / W14 / K16 / J16 / W17 / K17 / J17 / W19 / V19 / R19 / P19 / L19 / K19 / D19 / C19 / AF20 / AE20 / T20 / R20 / M20 / L20 / D21 / C22 / AC25 / Y25 / W25 / AC26 / R26 / L26 / A26 / G27 / B27	H2 / B18 / AB5 / AB14 / AB20 / P2 / F22 / E2 / C22 / B4 / B7 / B10 / B15	G1/ K1/ R1/ W1/ B2/ H4/ N4/ R4/ W4/ AB5/ A6/ D7/ Y7/AE7/ A8/ G8/ D10/ G10/ L10/ N10/ Y10/ AC10/ C12/ D12/A13/ D14/ AD14/ K15/ Y16/ L17/ N17/ R17/ D18/ D20/G20/ E22/ AB22/ G23/ L23/ T23/ W23/ B25/ K25/U25/ AD25 / Y26	C1/ F1/ H2/ M2/ R2/ Y6/AA7/ Y11/ AA16/ W20/P20/ L21/ H20/ F20/ B14/A13/ A7	V16/ V15/ U16/ U15/ U14/ U11/ U9/T16/ T15/ T14/ T13/ T12/ T11/ T10/ T9/ R15/ R14/ R11/ R10/ P17/ P15/ P14/ P13/P12/ P11/ P10/ P8/ N16/ N15/ N14/ N13/ N12/ N11/ N10/ N9/ M16/ M13/ M11/ M10/ M9/ L17/ L13/ L10/ L8/ K15/ K14/ K11/ K10/ J16/ J15/ J14/ J13/ J12/ J11/H16/ H14/ H11
vdds_sram	SRAM LDOs	W16	NA	U12	NA	AA12
vdds_mmc1	Input power for MMC1 dual voltage buffers	K25	NA	N23	NA	N24
vdds_x	Power supply for dual voltage GPIOs	P25	NA	P23	NA	H8
vss	Ground	M28	NA	L19	NA	NA
vdds	IO power plane	AG20	NA	AD18	NA	NA
vss	Ground	AG16	NA	AC16	NA	NA
vdds	IO power plane	H28	NA	L20	NA	NA
cap_vdd_sram_mpu_iva	Decoupling capacitor for SRAM in processor domains	V4	NA	N9	NA	U8
cap_vdd_sram_core	Decoupling capacitor for CORE domain (SRAM)	L21	NA	K20	NA	H17
vdds	IO power plane	AG21	NA	AD19	NA	NA
cap_vddu_array	Decoupling capacitor for WKUP/EMU domains (array)	AH20	NA	AE19	NA	N20
vss	Ground	AH21	NA	AC19	NA	NA
cap_vdd_bb_mpu_iva	Decoupling capacitor for processor domains (bb)	U4	NA	D6	NA	N21
sys_xtalgn	Kelvin ground	Y17	NA	AF23	NA	W15

(1) NA in this table stands for "Not applicable".

(2) For a list of pins not supported on a particular package, see [Table 2-4](#).

## 2.5.9 System and Miscellaneous Terminals

**Note:** For more information, see the Power, Reset, and Clock Management / PRCM Environment section of the *AM/DM37x Multimedia Device Technical Reference Manual* (literature number [SPRUGN4](#)).

**Table 2-26. System and Miscellaneous Signals Description<sup>(1)</sup>**

SIGNAL NAME <sup>[1]</sup>	DESCRIPTION <sup>[2]</sup>	TYPE <sup>[3]</sup>	BALL BOTTOM (CBP Pkg.) <sup>[4]</sup>	BALL TOP (CBP Pkg.) <sup>(2)[5]</sup>	BALL BOTTOM (CBC Pkg.) <sup>[4]</sup>	BALL TOP (CBC Pkg.) <sup>(2)[5]</sup>	BALL BOTTOM (CUS Pkg.) <sup>[4]</sup>
sys_32k	32-kHz clock input	I	AE25	NA	AE20	NA	AA16
sys_xtalin	Main input clock. Oscillator input or LVCMOS at 19.2, 13, or 12 MHz.	AI-I	AE17	NA	AF19	NA	AD15
sys_xtalout	Output of oscillator	AO	AF17	NA	AF20	NA	AD14
sys_altdck	Alternate clock source selectable for GPTIMERS (maximum 54 MHz), USB (48 MHz), or NTSC/PAL (54 MHz)	I	J25	NA	J23	NA	A24
sys_clkreq	Request from device for system clock (open source type)	IO	AF25	NA	W15	NA	Y13
sys_clkout1	Configurable output clock1	O	AG25	NA	AE14	NA	Y7
sys_clkout2	Configurable output clock2	O	AE22	NA	W11	NA	AA6
sys_boot0	Boot configuration mode bit 0	I	AH26	NA	F3	NA	AB12
sys_boot1	Boot configuration mode bit 1	I	AG26	NA	D3	NA	AC16
sys_boot2	Boot configuration mode bit 2	I	AE14	NA	C3	NA	AD17
sys_boot3	Boot configuration mode bit 3	I	AF18	NA	E3	NA	AD18
sys_boot4	Boot configuration mode bit 4	I	AF19	NA	E4	NA	AC17
sys_boot5	Boot configuration mode bit 5	I	AE21	NA	G3	NA	AB16
sys_boot6	Boot configuration mode bit 6	I	AF21	NA	D4	NA	AA15
sys_nrespwron	Power On Reset	I	AH25	NA	V13	NA	AA10
sys_nreswarm	Warm Boot Reset (open drain output)	IOD	AF24	NA	AD7	AA5	Y10
sys_nirq	External FIQ input	I	AF26	NA	V16	NA	W16
sys_nvmode1	Indicates the voltage mode	O	AD26	NA	AD15	NA	Y16
sys_nvmode2	Indicates the voltage mode	O	AE26	NA	W16	NA	Y15
sys_off_mode	Indicates the voltage mode	O	AF22	NA	V12	NA	AD23
sys_ndmareq0	External A request 0 (system expansion). Level (active low) or edge (falling) selectable.	I	U8	NA	B6	NA	D2
sys_ndmareq1	External A request 1 (system expansion). Level (active low) or edge (falling) selectable.	I	T8 / J8	NA	B4 / C6	NA	F4 / C2
sys_ndmareq2	External A request 2 (system expansion). Level (active low) or edge (falling) selectable.	I	L3 / R8	NA	D1 / C4	NA	H2 / G5
sys_ndmareq3	External A request 3 (system expansion). Level (active low) or edge (falling) selectable.	I	K3 / P8	NA	D2 / B5	NA	G2 / F3

(1) NA in this table stands for "Not applicable".

(2) For a list of pins not supported on a particular package, see [Table 2-4](#).

**Table 2-27. CBC Package Feed-Through Balls**

JEDEC 14x14mm, 0.65mm, 152ball	JEDEC DESCRIPTION <sup>(1)</sup>	BALL TOP	BALL BOTTOM	FEED-THROUGH BALL NAME
NC	No Connect	A1	A1	pop_a1_a1
d-vdd	DDR Supply	J1	L1	pop_j1_l1
NC	No Connect	AA1	AF1	NC
f-vdd	Flash Supply	N2	T2	pop_n2_t2
f-vdd	Flash Supply	T2	Y2	pop_t2_y2
NC	No Connect	W2	AE2	pop_w2_ae2
NC	No Connect	Y2	AF4	pop_y2_af4
f-vdd	Flash Supply	AA6	AF5	pop_aa6_af5
f-vdd	Flash Supply	Y7	AF8	pop_y7_af8

**Table 2-27. CBC Package Feed-Through Balls (continued)**

NC, Int	No Connect; Interrupt when using OneNAND POP	Y9	AF10	pop_y9_af10
f-nbe0, cle0	No Connect/CLE	AA10	AF12	pop_aa10_af12
d-vdd	DDR Supply/ POP FLASH vpp supply	AA11	AF13	pop_aa11_af13
d-tq	No Connect/ DDR die temperature sensor	AA12	AF14	pop_aa12_af14
vss	Shared Ground	AA13	AF15	pop_aa13_af15
d-vdd	DDR Supply	Y14	AF17	pop_y14_af17
d-vddq	DDR Supply	AA14	AF16	pop_aa14_af16
d-vdd	DDR Supply	B16	A20	pop_b16_a20
vss	Shared Ground	Y17	AF21	pop_y17_af21
d-vdd	DDR Supply	AA17	AF18	pop_aa17_af18
vss	Shared Ground	Y19	AF24	pop_y19_af24
d-vddq	DDR Supply	AA19	AF22	pop_aa19_af22
NC	No Connect	A20	A25	pop_a20_a25
NC	No Connect	Y20	AE25	pop_y20_ae25
NC	No Connect	AA20	AF25	pop_aa20_af25
NC	No Connect	A21	A26	pop_a21_a26
NC	No Connect	B21	B26	pop_b21_b26
d-vdd	DDR Supply	H21	K26	pop_h21_k26
d-vdd	DDR Supply	P21	U26	pop_p21_u26
NC	No Connect	Y21	AE26	pop_y21_ae26
NC	No Connect	AA21	AF26	pop_aa21_af26

(1) For more details on the feedthrough pin connections, please refer to the PoP memory datasheet.

**Table 2-28. CBP Package Feed-Through Balls**

JEDEC 12x12, 0.5mm, 168ball	JEDEC DESCRIPTION <sup>(1)</sup>	BALL TOP	BALL BOTTOM	FEED-THROUGH BALL NAME
d-vdd	DDR Supply	A12	A15	pop_a12_a15
d-vdd	DDR Supply	AA23	AE28	pop_aa23_ae28
d-vdd	DDR Supply	H23	AF28	pop_h23_af28
d-vdd	DDR Supply	K1	J28	pop_k1_j28
d-vdd	DDR Supply	Y23	M1	pop_y23_m1
f-vdd	Flash Supply	AA1	AA1	pop_aa1_aa1
f-vdd	Flash Supply	AC8	AF1	pop_ac8_af1
f-vdd	Flash Supply	AC13	AH10	pop_ac13_ah10
f-vdd	Flash Supply	L1	AH15	pop_l1_ah15
f-vdd	Flash Supply	U1	N1	pop_u1_n1
f-vpp	Flash vpp supply	AC11	AH13	pop_ac11_ah13
NC, int0	No Connect/PoP OneNAND interrupt	AB9	AG11	pop_ab9_ag11
NC, int1	No Connect/PoP OneNAND interrupt	AC9	AH11	pop_ac9_ah11
NC	No Connect	A1	A1	NC
NC	No Connect	A2	A2	NC
NC	No Connect	A22	A27	pop_a22_a27
NC	No Connect	A23	A28	pop_a23_a28
NC	No Connect	AB1	AG1	pop_ab1_ag1
NC	No Connect	AB23	AG28	pop_ab23_ag28
NC	No Connect	AC1	AH1	pop_ac1_ah1
NC	No Connect	AC2	AH2	pop_ac2_ah2
NC	No Connect	AC22	AH27	pop_ac22_ah27
NC	No Connect	AC23	AH28	pop_ac23_ah28

**Table 2-28. CBP Package Feed-Through Balls (continued)**

NC	No Connect	B1	B1	NC
NC	No Connect	B23	B28	pop_b23_b28
f-rst#, rp#	Flash reset	AB11	AG13	pop_ab11_ag13
d-tq	DDR temperature alert	AC14	AH16	pop_ac14_ah16
vss	Shared Ground	AA2	AA2	pop_aa2_aa2
vss	Shared Ground	U2	AF2	pop_u2_af2
vss	Shared Ground	AA22	AF27	pop_aa22_af27
vss	Shared Ground	AB8	AG10	pop_ab8_ag10
vss	Shared Ground	AB13	AG15	pop_ab13_ag15
vss	Shared Ground	B12	B15	pop_b12_b15
vss	Shared Ground	H22	J27	pop_h22_j27
vss	Shared Ground	K2	M2	pop_k2_m2
vss	Shared Ground	K22	M26	pop_k22_m26
vss	Shared Ground	L2	N2	pop_l2_n2

(1) For more details on the feedthrough pin connections, please refer to the PoP memory datasheet.

### 3 Electrical Characteristics

#### NOTE

For more information, see the Power Reset and Clock Management / PRCM Environment section of the AM/DM37x Multimedia Device Technical Reference Manual (literature number [SPRUGN4](#)).

#### 3.1 Absolute Maximum Ratings

Stresses beyond those listed as absolute maximum ratings may cause permanent damage to the device. These are stress ratings only, and functional operation of the device at these or any other conditions beyond those listed under "Recommended Operating Conditions" is not implied. Exposure to absolute maximum rated conditions for extended periods may affect device reliability.

**Table 3-1. Absolute Maximum Rating over Junction Temperature Range**

PARAMETER		MIN	MAX	UNIT	
vdd_mpu_iva	Supply voltage range for MPU / IVA domain	–0.5	1.5	V	
vdd_core	Supply voltage range for core domain	–0.5	1.5	V	
vdda_wkup_bg_bb	Supply voltage range for wake-up domain (internal LDO)	–0.5	2.1	V	
vdda_dppll_dll	Supply voltage for MPU, IVA, Core DPLLs, and DLL	–0.5	2.1	V	
vdda_dppll_per	Supply voltage for DPLLs (peripherals)	–0.5	2.1	V	
vdds_sram	Supply voltage for SRAM LDOs	–0.5	2.1	V	
vdda_dac	Supply voltage for video buffers and DAC	–0.5	2.1	V	
vdds	Supply voltage for 1.8-V I/O macros	–0.5	2.1	V	
vdds_mem	Supply voltage for memory buffers	–0.5	2.1	V	
vdds_mmc1	Supply voltage range for mmc1 dual voltage I/Os	–0.5	3.8	V	
vdds_x	Supply voltage range for dual voltage GPIOs	–0.5	3.8	V	
V <sub>ESD</sub>	ESD stress voltage <sup>(1)</sup>	HBM (Human Body Model) <sup>(2)</sup>	JTAG <sup>(9)</sup>	200	V
			CAM <sup>(6)</sup>	400	
			GPMC <sup>(8)</sup>	500	
			Other signals	1000	
		CDM (Charged Device Model) <sup>(3)</sup>	250		
I <sub>IOI</sub>	Current-pulse injection on each IO pin <sup>(5)</sup>	200		mA	
I <sub>clamp</sub>	Clamp current for an input or output	–20	20	mA	
T <sub>STG</sub> <sup>(4)</sup>	Storage temperature range	–65	150	°C	

(1) Electrostatic discharge (ESD) to measure device sensitivity/immunity to damage caused by electrostatic discharges into the device.

(2) Level listed above is the passing level per ANSI/ESDA/JEDEC JS-001-2010. JEDEC document JEP155 states that 500V HBM allows safe manufacturing with a standard ESD control process, and manufacturing with less than 500V HBM is possible if necessary precautions are taken. Pins listed as 1000V may actually have higher performance.

(3) Level listed above is the passing level per EIA-JEDEC JESD22-C101E. JEDEC document JEP157 states that 250V CDM allows safe manufacturing with a standard ESD control process. Pins listed as 250V may actually have higher performance.

(4) For tape and reel the storage temperature range is [–10°C; +50°C] with a maximum relative humidity of 70%. It is recommended returning to ambient room temperature before usage.

(5) Each device is tested with an IO pin injection of 200 mA with a stress voltage of 1.5 times the maximum V<sub>dd</sub> at room temperature.

(6) Corresponding signals: cam\_d0, cam\_d1, cam\_d6, cam\_d7, cam\_d8, cam\_d9. Refer to [Multiplexing Characteristics](#) to determine the ball information per package.

(7) Corresponding signals: dss\_data0, dss\_data1, dss\_data2, dss\_data3, dss\_data4, dss\_data5. Refer to [Multiplexing Characteristics](#) to determine the ball information per package.

(8) Corresponding signals: All 46 GPMC interface signals (vdds\_mem is not included to this exception list). Refer to [Multiplexing Characteristics](#) to determine the ball information per package.

(9) Corresponding signals: All 8 JTAG interface signals (jtag\_emu0, jtag\_emu1, jtag\_nrst, jtag\_rtk, jtag\_tck, jtag\_tdi, jtag\_tdo, jtag\_tms\_tmisc). Refer to [Multiplexing Characteristics](#) to determine the ball information per package.

Table 3-2 summarizes the power consumption at the ball level.

**Table 3-2. Maximum Current Ratings at Ball Level <sup>(3)</sup>**

PARAMETER		MAX	UNIT
SIGNAL	DESCRIPTION		
vdd_mpu_iva <sup>(7)</sup>	Maximum current rating for MPU / IVA domain	Processors	
		DM3730/DM3725 (1G Hz)	1400 <sup>(1)(4)</sup>
		DM3730/DM3725 (800M Hz)	1200 <sup>(5)</sup>
		DM3730/DM3725 (600M Hz)	800 <sup>(5)</sup>
vdd_core <sup>(1)</sup>	Maximum current rating for core domain	Core	
		DM3730	300
		DM3725	230
vdds	Maximum current rating for 1.8-V I/O macros	60	mA
vdds_mem	Maximum current rating for memory buffers	35	mA
vdds_mmc1 <sup>(2)</sup>	Maximum current rating for mmc1 dual voltage buffers	20	mA
vdds_x	Maximum current rating for GPIO dual voltage buffers	2	mA
vdda_wkup_bg_b	Maximum current rating for wake-up, bandgap and VBB LDOs	5	mA
vdda_dac	Maximum current rating for video buffers and DAC	60	mA
vdda_dplls_dll	Maximum current rating for MPU, IVA, core DPLLs and DLL	30	mA
vdda_dppll_per	Maximum current rating for DPLLs (peripherals)	10	mA
vdds_sram	Maximum current rating for SRAM LDOs (common)	41	mA

(1) With SmartReflex™ enabled.

(2) MMC card and I/O card are not included.

(3) The maximum current ratings documented in this table are preliminary data which are subject to change.

(4) Conditions used for maximum current ratings are worst case:

- T<sub>J</sub> is up to 90C
- Cold process is used
- V<sub>DD1</sub> (vdd\_mpu\_iva) supplies 1.38 V (maximum voltage supported)

In these conditions, the current listed as 1400mA is the addition of the:

- Current when running Dhrystone on ARM@1GHz multiplied by a factor x1.5 (to take care of NEON activity)
- Current when running H.264 on IVA@800MHz with a x1.1 factor (to take care of more aggressive SW than H.264)

(5) Conditions used for maximum current ratings are worst case:

- T<sub>J</sub> is up to 90C
- Hot process is used
- V<sub>DD1</sub> (vdd\_mpu\_iva) nominal OPP voltage:
  - DM3730 (800M Hz): @1.27V
  - DM3730 (600M Hz): @1.14V

(6) This maximum vdd\_mpu\_iva current is observed at OPP1G operating point.

(7) Depending on the microprocessor chosen, the IVA feature may or may not be supported. See the [Features](#) section for more information on device features.

### 3.2 Recommended Operating Conditions

The device is used under the recommended operating conditions described in [Table 3-4](#). The POH information in [Table 3-3](#) is provided solely for your convenience and does not extend or modify the warranty provided under TI's standard terms and conditions for TI semiconductor products.

**Table 3-3. Reliability Data**

JUNCTION TEMP	TOTAL DEVICE LIFETIME	≥OPP130 MAX TIME	OPP1G MAX TIME
@105C	89K POH	Not available	Not available
@90C	100K POH	45K	25K(1)
@75C	>100K POH	100K POH	75K

(1) If device is only operated at OPP1G, then POH can be extended to 35K POH.

---

**NOTE**

Logic functions and parameter values are not assured out of the range specified in the recommended operating conditions.

---

**Table 3-4. Recommended Operating Conditions**

PARAMETER	DESCRIPTION	MIN	NOM	MAX	UNIT	
vdd_mpu_iva	Supply voltage range for ARM / IVA domain	See <sup>(1)</sup>			V	
	Maximum Noise (peak-peak)		40		mV <sub>PP</sub>	
vdd_core	Supply voltage range for core domain	See <sup>(1)</sup>			V	
	Maximum Noise (peak-peak)		40		mV <sub>PP</sub>	
vdds	Supply voltage for 1.8-V I/O macros	1.71	1.80	1.91	V	
	Maximum Noise (peak-peak)	Oscillator IO (Crystal or Square modes)	40		mV <sub>PP</sub>	
		Others		90		
vdds_mem	Supply voltage for memory buffers	1.71	1.80	1.91	V	
	Maximum Noise (peak-peak)		90		mV <sub>PP</sub>	
vdds_mmc1	Supply voltage range for mmc1 dual voltage I/Os	1.8-V mode	1.71	1.80	1.91	V
		3.0-V mode	2.70	3.00 to 3.30	3.60	
	Noise (peak-peak)	1.8-V mode		90		mV <sub>PP</sub>
		3.0-V mode		150		
vdds_x	Supply voltage range for x dual voltage I/Os	1.8-V mode	1.71	1.80	1.91	V
		3.0-V mode	2.70	3.00	3.60	
	Maximum Noise (peak-peak)	1.8-V mode		90		mV <sub>PP</sub>
		3.0-V mode		150		
vdda_wkup_bg_bb	Supply voltage range for wake-up LDO	1.71	1.80	1.91	V	
	Maximum Noise (peak-peak)		50		mV <sub>PP</sub>	
vdda_dac	Analog supply voltage for Video DAC	1.71	1.80	1.91	V	
	Maximum Noise (peak-peak) for a frequency from 0 to 100 kHz (For a frequency > 100 kHz, decreases 20 dB/dec)		30		mV <sub>PP</sub>	
vdds_sram	Supply voltage for SRAM LDOs	1.71	1.80	1.91	V	
	Maximum Noise (peak-peak)		50		mV <sub>PP</sub>	
vdda_dplls_dll	Supply voltage for MPU, IVA, core DPlls and DLL	1.71	1.80	1.91	V	
	Maximum Noise (peak-peak) For any frequency		30		mV <sub>PP</sub>	

**Table 3-4. Recommended Operating Conditions (continued)**

PARAMETER	DESCRIPTION		MIN	NOM	MAX	UNIT
vdda_dppll_per	Supply voltage for DPLLs (peripherals)		1.71	1.80	1.91	V
	Maximum Noise (peak-peak) For any frequency			50		mV <sub>PP</sub>
vssa_dac	Ground for video buffers and DAC		0			V
vss	Main ground		0			V
T <sub>J</sub>	Operating junction temperature range	Commercial Temperature	0		90	°C
		Industrial Temperature	-40		90	
		Extended Temperature	-40		105	

(1) See [Section 4.3.4, Processor Clocks](#). OPP voltage values may change following the silicon characterization result.



### 3.3 DC Electrical Characteristics

Table 3-5 summarizes the dc electrical characteristics.

Note: The interfaces or signals described in Table 3-5 correspond to the interfaces or signals available in multiplexing mode 0. All interfaces or signals multiplexed on the balls / pins described in Table 3-5 have the same DC electrical characteristics.

**Table 3-5. DC Electrical Characteristics**

PARAMETER		MIN	NOM	MAX	UNIT
<b>SDRC Mode (CBP Balls<sup>(19)</sup>: C14 / B14 / C15 / B16 / D17 / C17 / B17 / D18 / H9 / H10 / H11 / H12 / A13 / A14 / H16 / H17 / H14 / H13 / H15 / A16 / A17)<sup>(4)</sup></b>					
V <sub>IH</sub>	High-level input voltage	0.7 * vdds_mem			V
V <sub>IL</sub>	Low-level input voltage			0.3 * vdds_mem	V
V <sub>HYS</sub> <sup>(1)</sup>	Hysteresis voltage at an input	0.07			V
V <sub>OH</sub>	High-level output voltage, driver enabled, pullup or pulldown disabled	I <sub>OH</sub> = -4 mA	0.8 * vdds_mem	vdds_mem	V
V <sub>OL</sub>	Low-level output voltage, driver enabled, pullup or pulldown disabled	I <sub>OL</sub> = 4 mA	0	0.2 * vdds_mem	V
C <sub>IN</sub>	Input capacitance			1.15	pF
t <sub>TIN</sub> <sup>(2)</sup>	Input recommended rise, t <sub>RIN</sub> , and fall time, t <sub>FIN</sub> (measured between 20% and 80% at PAD)			10	ns
t <sub>ROUT</sub> <sup>(2)</sup>	Output maximum rise time (rise time, t <sub>ROUT</sub> , evaluated between 20% and 80% at PAD) @ maximum load			1.15	ns
t <sub>FOUT</sub> <sup>(2)</sup>	Output maximum fall time (fall time, t <sub>FOUT</sub> , evaluated between 20% and 80% at PAD) @ maximum load			1.10	ns
C <sub>OUT</sub>	Load capacitance	DS0 = 0 <sup>(3)</sup>	2	4	pF
		DS0 = 1 <sup>(3)</sup>	4	12	
<b>MMC Interface 1 Mode (CBP Balls<sup>(19)</sup>: N28 / M27 / N27 / N26 / N25 / P28)</b>					
<b>1.8-V Mode</b>					
V <sub>IH</sub>	High-level input voltage	0.70 * vdds_mmc1		vdds_mmc1 + 0.3	V
V <sub>IL</sub>	Low-level input voltage	-0.3		0.30 * vdds_mmc1	V
V <sub>OH</sub>	High-level output voltage with 100-μA sink current I <sub>OH</sub>	vdds_mmc1 - 0.2			V
V <sub>OL</sub>	Low-level output voltage with 100-μA sink current at vdds_mmc1 minimum			0.2	V
V <sub>HYS</sub> <sup>(1)</sup>	Hysteresis voltage at an input	0.1			V
t <sub>TIN</sub> <sup>(2)</sup>	Input transition time (t <sub>RIN</sub> or t <sub>FIN</sub> evaluated between 10% and 90% at PAD)	Normal Mode (SPEEDCTRL = 1) <sup>(4)</sup>		3	ns
		High-Speed (SPEEDCTRL = 0) <sup>(4)</sup>		8	
C <sub>OUT</sub>	Load capacitance	10		30	pF
L <sub>OUT</sub>	Line inductance (except vdds_mmc1)			16	nH
<b>3.0-V Mode</b>					
V <sub>IH</sub>	High-level input voltage	0.625 * vdds_mmc1		vdds_mmc1 + 0.3	V
V <sub>IL</sub>	Low-level input voltage	-0.3		0.25 * vdds_mmc1	V
V <sub>OH</sub>	High-level output voltage with 100-μA sink current I <sub>OH</sub>	0.75 * vdds_mmc1			V
V <sub>OL</sub>	Low-level output voltage with 100-μA source current at vdds_mmc1 minimum			0.125 * vdds_mmc1	V
V <sub>HYS</sub> <sup>(1)</sup>	Hysteresis voltage at an input	0.05			V

**Table 3-5. DC Electrical Characteristics (continued)**

PARAMETER			MIN	NOM	MAX	UNIT
t <sub>TIN</sub> <sup>(2)</sup>	Input transition time (t <sub>RIN</sub> or t <sub>FIN</sub> evaluated between 10% and 90% at PAD)	Normal Mode (SPEEDCTRL = 1) <sup>(4)</sup>			3	ns
		High-Speed (SPEEDCTRL = 0) <sup>(4)</sup>			8	
C <sub>OUT</sub>	Load capacitance		10		30	pF
L <sub>OUT</sub>	Line inductance (except vdds_mmc1)				16	nH
<b>GPIO Mode (CBP Balls<sup>(19)</sup>: P27 / P26 / R25)</b>						
<b>1.8-V Mode</b>						
V <sub>IH</sub>	High-level input voltage		0.70 * vdds_x		vdds_x + 0.3	V
V <sub>IL</sub>	Low-level input voltage		–0.3		0.20 * vdds_x	V
V <sub>OH</sub>	High-level output voltage with 20-μA sink current I <sub>OH</sub>		0.8 * vdds_x		vdds_x + 0.3	V
V <sub>OL</sub>	Low-level output voltage with 1-mA source current at vdds_x minimum		–0.3		0.4	V
V <sub>HYS</sub> <sup>(1)</sup>	Hysteresis voltage at an input		0.1			V
t <sub>TIN</sub> <sup>(2)</sup>	Input transition time (t <sub>RIN</sub> or t <sub>FIN</sub> evaluated between 10% and 90% at PAD)	Normal Mode (SPEEDCTRL = 1) <sup>(4)</sup>			35	ns
C <sub>IN</sub>	Input capacitance				2.5	pF
C <sub>OUT</sub>	Load capacitance				30	pF
L <sub>OUT</sub>	Line inductance (except vdds_x)				16	nH
<b>3.0-V Mode</b>						
V <sub>IH</sub>	High-level input voltage		0.70 * vdds_x		vdds_x + 0.3	V
V <sub>IL</sub>	Low-level input voltage		–0.3		0.20 * vdds_x	V
V <sub>OH</sub>	High-level output voltage with 20-μA sink current I <sub>OH</sub>		0.7 * vdds_x		vdds_x + 0.3	V
V <sub>OL</sub>	Low-level output voltage with 1-mA source current at vdds_sim minimum		–0.3		0.4	V
V <sub>HYS</sub> <sup>(1)</sup>	Hysteresis voltage at an input		0.05			V
t <sub>TIN</sub> <sup>(2)</sup>	Input transition time (t <sub>RIN</sub> or t <sub>FIN</sub> evaluated between 10% and 90% at PAD)	Normal Mode (SPEEDCTRL = 1) <sup>(4)</sup>			35	ns
C <sub>IN</sub>	Input capacitance				2.5	pF
C <sub>OUT</sub>	Load capacitance				30	pF
L <sub>OUT</sub>	Line inductance (except vdds_x)				16	nH
<b>I<sup>2</sup>C Mode (CBP Balls<sup>(19)</sup>: K21 / J21 / AF15 / AE15 / AF14 / AG14 / AD26 / AE26)<sup>(6)</sup></b>						
<b>Standard Mode</b>						
V <sub>IH</sub>	High-level input voltage		0.7 * vdds		vdds + 0.5	V
V <sub>IL</sub>	Low-level input voltage		–0.5		0.3 * vdds	V
V <sub>HYS</sub> <sup>(1)</sup>	Hysteresis voltage at an input		0.15			V
V <sub>OL</sub>	Low-level output voltage open-drain at 3-mA sink current		NA <sup>(18)</sup>		NA <sup>(18)</sup>	V
I <sub>I</sub>	Input current at each I/O pin with an input voltage between 0.1 * vdds to 0.9 * vdds		–10		10	μA
C <sub>I</sub>	Capacitance for each I/O pin				10	pF
t <sub>FOUT</sub> <sup>(5)</sup>	Output fall time from V <sub>IHmin</sub> to V <sub>ILmax</sub> with a bus capacitance C <sub>B</sub> from 10 pF to 400 pF				250	ns
t <sub>ROUT</sub> <sup>(5)</sup>	Output rise time with a capacitive load from 10 pF to 150 pF with internal pullup		20 + 0.1C <sub>B</sub>		250	ns
<b>Fast Mode</b>						
V <sub>IH</sub>	High-level input voltage		0.7 * vdds		vdds + 0.5	V
V <sub>IL</sub>	Low-level input voltage		–0.5		0.3 * vdds	V

**Table 3-5. DC Electrical Characteristics (continued)**

PARAMETER		MIN	NOM	MAX	UNIT
V <sub>HYS</sub> <sup>(1)</sup>	Hysteresis voltage at an input	0.15			V
V <sub>OL</sub>	Low-level output voltage open-drain at 3-mA sink current	0		0.2 * v <sub>dds</sub>	V
I <sub>I</sub>	Input current at each I/O pin with an input voltage between 0.1 * v <sub>dds</sub> to 0.9 * v <sub>dds</sub>	–10		10	μA
C <sub>I</sub>	Capacitance for each I/O pin			10	pF
t <sub>FOUT</sub> <sup>(5)</sup>	Output fall time from V <sub>IHmin</sub> to V <sub>ILmax</sub> with a bus capacitance C <sub>B</sub> from 10 pF to 400 pF	20 + 0.1C <sub>B</sub>		250	ns
t <sub>ROUT</sub> <sup>(5)</sup>	Output rise time with a capacitive load from 10 pF to 150 pF with internal pullup	20 + 0.1C <sub>B</sub>		250	ns
<b>High-Speed Mode</b>					
V <sub>IH</sub>	High-level input voltage	0.7 * v <sub>dds</sub>		v <sub>dds</sub> + 0.5	V
V <sub>IL</sub>	Low-level input voltage	–0.5		0.3 * v <sub>dds</sub>	V
V <sub>HYS</sub> <sup>(1)</sup>	Hysteresis voltage at an input	0.15			V
V <sub>OL</sub>	Low-level output voltage open-drain at 3-mA sink current	0		0.2 * v <sub>dds</sub>	V
I <sub>I</sub>	Input current at each I/O pin with an input voltage between 0.1 * v <sub>dds</sub> to 0.9 * v <sub>dds</sub>	–10		10	μA
C <sub>I</sub>	Capacitance for each I/O pin			10	pF
t <sub>FOUT</sub> <sup>(5)(6)</sup>	Output fall time with a capacitive load from 10 pF to 100 pF at 3-mA sink current	10		40	ns
	Output fall time with a capacitive load of 400 pF at 3-mA sink current	20		80	ns
t <sub>ROUT</sub> <sup>(5)</sup>	Output rise time with a capacitive load from 10 pF to 80 pF with internal pullup	10		40	ns
<b>Standard LVCMOS Mode</b>					
V <sub>IH</sub>	High-level input voltage	0.7 * v <sub>dds</sub>		v <sub>dds</sub>	V
V <sub>IL</sub>	Low-level input voltage	–0.5		0.3 * v <sub>dds</sub>	V
V <sub>OH</sub>	High-level output voltage at 4-mA sink current	v <sub>dds</sub> – 0.45			V
V <sub>OL</sub>	Low-level output voltage at 4-mA sink current			0.45	V
C <sub>IN</sub>	Input capacitance			1.15	pF
t <sub>TIN</sub> <sup>(2)</sup>	Input transition time (t <sub>RIN</sub> or t <sub>FIN</sub> evaluated between 10% and 90% at PAD)			10	ns
t <sub>TOUT</sub>	Output transition time at 40-pF load (t <sub>ROUT</sub> or t <sub>FOUT</sub> evaluated between 10% and 90% at PAD)			10	ns
<b>MIPI D-PHY Interface</b>					
<b>MIPI D-PHY Interface - GPI Mode (CBP Balls<sup>(19)</sup>: AG19 / AH19 / AG18 / AH18 / K28 / L28 / K27 / AG17 / AH17)</b>					
V <sub>IH</sub> <sup>(7)</sup>	High-level input voltage	0.65 * v <sub>dds_x</sub> <sup>(14)</sup>		v <sub>dds_x</sub> + 0.3 <sup>(14)</sup>	V
V <sub>IL</sub> <sup>(8)</sup>	Low-level input voltage	–0.3		0.35 * v <sub>dds_x</sub> <sup>(14)</sup>	V
V <sub>HYS</sub> <sup>(1)</sup>	Hysteresis voltage at an input	0.15			V
C <sub>IN</sub>	Input capacitance			1.3	pF
t <sub>TIN</sub> <sup>(2)</sup>	Input transition time (t <sub>RIN</sub> or t <sub>FIN</sub> evaluated between 10% and 90% at PAD)			10	ns
<b>Other Balls</b>					
<b>Common to "Other Balls"</b>					
V <sub>IH</sub>	High-level input voltage	0.65 * v <sub>dds</sub>		v <sub>dds</sub> + 0.3	V
V <sub>IL</sub>	Low-level input voltage	–0.3		0.35 * v <sub>dds</sub>	V
V <sub>HYS</sub> <sup>(1)</sup>	Hysteresis voltage at an input	0.15			V
V <sub>OH</sub>	High-level output voltage, driver enabled, pullup or pulldown disabled	I <sub>OH</sub> = –X <sup>(17)</sup> mA	v <sub>dds</sub> – 0.45		V
V <sub>OL</sub>	Low-level output voltage, driver enabled, pullup or pulldown disabled	I <sub>OL</sub> = X <sup>(17)</sup> mA		0.45	V
<b>Differences Between "Other Balls"</b>					

**Table 3-5. DC Electrical Characteristics (continued)**

PARAMETER		MIN	NOM	MAX	UNIT
<b>Input Capacitance and Input Transition Time</b>					
<b>sys_xtalin pin (CBP Ball<sup>(19)</sup>: AE17)</b>					
C <sub>IN</sub>	Input capacitance	1.00	1.15	1.35	pF
t <sub>TIN</sub> <sup>(2)</sup>	Input transition time (rise time, t <sub>RIN</sub> or fall time, t <sub>FIN</sub> evaluated between 10% and 90% at PAD)			10	ns
<b>JTAG interface (CBP Balls<sup>(19)</sup>: AA17 / AA13 / AA12 / AA18 / AA20 / AA19 / AA11 / AA10)</b>					
C <sub>IN</sub>	Input capacitance			2.20	pF
t <sub>TIN</sub> <sup>(2)</sup>	Input transition time (rise time, t <sub>RIN</sub> or fall time, t <sub>FIN</sub> evaluated between 10% and 90% at PAD)			10	ns
<b>Otherwise</b>					
C <sub>IN</sub>	Input capacitance			1.15	pF
t <sub>TIN</sub> <sup>(2)</sup>	Input transition time (rise time, t <sub>RIN</sub> or fall time, t <sub>FIN</sub> evaluated between 10% and 90% at PAD)			10	ns
<b>Output Capacitance Load and Output Transition Time</b>					
<b>sys_32k, sys_clkreq, sys_off_mode, sys_clkout1, sys_nirq, uart3_cts_rctx, uart3_rts_sd, uart3_rx_irrx, uart3_tx_irtx, hdq_sio (CBP Balls<sup>(19)</sup>: R27 / AE25 / AF25 / AF22 / AG25 / AF26 / H18 / H19 / H20 / H21 / J25)</b>					
t <sub>TOUT</sub>	Output transition time (rise time, t <sub>ROUT</sub> or fall time, t <sub>FOUT</sub> evaluated between 10% and 90% at PAD)	DS[1:0] = 00 <sup>(3)</sup>	1 <sup>(15)</sup>	15 <sup>(16)</sup>	ns
C <sub>TOUT</sub>	Output load		4	60	pF
t <sub>TOUT</sub>	Output transition time (rise time, t <sub>ROUT</sub> or fall time, t <sub>FOUT</sub> evaluated between 10% and 90% at PAD)	DS[1:0] = 10 <sup>(3)</sup>	0.4 <sup>(15)</sup>	5 <sup>(16)</sup>	ns
C <sub>TOUT</sub>	Output load		2	21	pF
t <sub>TOUT</sub>	Output transition time (rise time, t <sub>ROUT</sub> or fall time, t <sub>FOUT</sub> evaluated between 10% and 90% at PAD)	DS[1:0] = 01 <sup>(3)</sup>	0.6 <sup>(15)</sup>	7 <sup>(16)</sup>	ns
C <sub>TOUT</sub>	Output load		7	33	pF
<b>CAM, HSUSB0, MMC2, UART1, UART2, McBSP, McSPI, ETK Interfaces, sys_clkout2 (CBP Ball<sup>(19)</sup>: AE22)</b>					
t <sub>TOUT</sub>	Output transition time (rise time, t <sub>ROUT</sub> or fall time, t <sub>FOUT</sub> evaluated between 10% and 90% at PAD)		1.5	5	ns
C <sub>TOUT</sub>	Output load		2	22	pF
<b>Otherwise</b>					
t <sub>TOUT</sub>	Output transition time (rise time, t <sub>ROUT</sub> or fall time, t <sub>FOUT</sub> evaluated between 10% and 90% at PAD)		0.6	2.4 <sup>(17)</sup>	ns
C <sub>TOUT</sub>	Output load		2	22	pF
<b>Hysteresis</b>					
<b>sys_xtalin pin (CBP Ball<sup>(19)</sup>: AE17)</b>					
V <sub>HYS</sub> <sup>(1)</sup>	Hysteresis voltage at an input	0.25			V
<b>hsusb0_clk (CBP Ball<sup>(19)</sup>: T28)</b>					
V <sub>HYS</sub> <sup>(1)</sup>	Hysteresis voltage at an input	0.07			V
<b>Otherwise</b>					
V <sub>HYS</sub> <sup>(1)</sup>	Hysteresis voltage at an input	0.15			V

(1) V<sub>hys</sub> is the magnitude of the difference between the positive-going threshold voltage V<sub>T+</sub> and the negative-going threshold voltage V<sub>T-</sub>. Some receivers, but not all, are designed for hysteresis. V<sub>hys</sub> applies only to those that are.

(2) The t<sub>IN</sub> (t<sub>RIN</sub> and t<sub>FIN</sub> also) value is the recommended condition. The t<sub>IN</sub> (t<sub>RIN</sub> and t<sub>FIN</sub> also) mismatch causes additional delay time inside the device then leads to ac timing invalidation in this DM.

The t<sub>IN</sub> (t<sub>RIN</sub> and t<sub>FIN</sub> also) mismatch does not necessarily mean functional failure. This global value may be overridden on a per interface basis if another value is explicitly defined for that interface in the Timing Requirements and Switching Characteristics chapter of the data manual.

(3) For a full description of the DS0 load compensation register configuration, see the description of the CONTROL\_PROG\_IO1 configuration registers in System Control Module / Programming Model / Feature Settings / SDRC I/O Drive Strength Selection section of the *AM/DM37x Multimedia Device Technical Reference Manual* (literature number [SPRUGN4](#)).

- (4) For a full description of the SPEEDCTRL speed register configuration, see the description of the CONTROL\_PROG\_IO1 configuration registers in System Control Module / Programming Model / Feature Settings section of the *AM/DM37x Multimedia Device Technical Reference Manual* (literature number [SPRUGN4](#)).
- (5) Rise and fall times are specified for  $(0.3 * v_{dds})$  to  $(0.7 * v_{dds})$ .
- (6) For capacitive load from 100 pF to 400 pF, fall time should be linearly interpolated:  
 $t_{Fmin} = (1 + (\text{Load} - 100 \text{ pF}) / 300 \text{ pF}) * 10 \text{ ns}$   
 $t_{Fmax} = (1 + (\text{Load} - 100 \text{ pF}) / 300 \text{ pF}) * 40 \text{ ns}$
- (7)  $V_{IH}$  is the voltage at which the receiver is required to detect a high state in the input signal.
- (8)  $V_{IL}$  is the voltage at which the receiver is required to detect a low state in the input signal.  $V_{IL}$  is larger than the maximum single-ended line voltage during HS transmission. Therefore, both LP receivers will detect low during HS signaling.
- (9) This value includes a ground difference of 50 mV between the transmitter and the receiver, the status common-mode level tolerance and variations below 450 MHz.
- (10) Common mode is defined as the average voltage level of DX and DY:  $V_{CM} = (V_{(DX)} + V_{(DY)})/2$ . Common mode ripple may be due to rise-fall time and transmission line impairments in the PCB.
- (11) Value when driving into differential load impedance anywhere in the range 80 to 125  $\Omega$ .
- (12) ULPM stands for Ultra Low Power Mode.
- (13)  $UI = 1 / (2 * f_h)$ , where  $f_h$  is the fundamental frequency of HS data transmission. For example, for 800 Mbps  $f_h$  is 400 MHz.
- (14)  $v_{dda\_x}$  can be  $v_{dda\_csiphy1}$  or  $v_{dda\_csiphy2}$  depending on the interface used.
- (15) At minimum load.
- (16) At maximum load. Caution: This creates EMI parasitics up to 1.2 ns.
- (17) For more information about IOH / IOL values, see one of the tables in the [Ball Characteristics](#) section, column "BUFFER DRIVE STRENGTH (mA)".
- (18) No  $V_{OL}$  specifications are applicable in Standard mode.
- (19) For associated CBC and CUS balls, please refer to the [Section 2.4, Multiplexing Characteristics](#) table.

### 3.4 External Capacitors

To improve module performance, decoupling capacitors are required to suppress the switching noise generated by high frequency and to stabilize the supply voltage. A decoupling capacitor is most effective when it is close to the device, because this minimizes the inductance of the circuit board wiring and interconnects.

#### 3.4.1 Voltage Decoupling Capacitors

Table 3-6 summarizes the Core voltage decoupling characteristics.

##### 3.4.1.1 Core Voltage Decoupling Capacitors

To improve module performance, decoupling capacitors are required to suppress the switching noise generated by high frequency and to stabilize the supply voltage. A decoupling capacitor is most effective when it is close to the device, because this minimizes the inductance of the circuit board wiring and interconnects.

**Table 3-6. Core Voltage Decoupling Characteristics**

PARAMETER	MIN	TYP	MAX	UNIT
$C_{vdd\_core}$ <sup>(1)</sup>	0.6	1.2	1.8	μF
$C_{vdd\_mpu\_iva}$ <sup>(2)</sup>	See <sup>(2)</sup>			μF

(1) The typical value corresponds to 2 capacitors of 470 nF, plus 3 capacitors of 100 nF. Except for the decoupling capacitance values, the PCB rules of the [PCB Design Requirements for VDD\\_MPU\\_IVA Power Distribution Network for TI OMAP3630, AM37xx, and DM37xx Microprocessors \(SPRABJ7\)](#) application note can be used.

(2) For more information regarding the vdd\_mpu\_iva decoupling capacitance recommendations, see the [PCB Design Requirements for VDD\\_MPU\\_IVA Power Distribution Network for TI OMAP3630, AM37xx, and DM37xx Microprocessors \(SPRABJ7\)](#) application note.

##### 3.4.1.2 IO and Analog Voltage Decoupling Capacitors

Table 3-7 summarizes the power supply decoupling capacitor characteristics.

**Table 3-7. Power Supply Decoupling Capacitor Characteristics**

PARAMETER	MIN	TYP	MAX	UNIT
$C_{vdds}$ <sup>(1)(2)</sup>	200	400	600	nF
$C_{vdds\_mem}$ <sup>(1)(3)</sup>	350	700	1050	nF
$C_{vdds\_mmc1}$ <sup>(4)</sup>	50	100	150	nF
$C_{vdds\_x}$ <sup>(4)</sup>	50	100	150	nF
$C_{vdda\_dplls\_dll}$ <sup>(4)</sup>	50	100	150	nF
$C_{vdda\_dpll\_per}$ <sup>(4)</sup>	50	100	150	nF
$C_{vdds\_sram}$ <sup>(4)</sup>	110	220	330	nF
$C_{vdda\_wkup\_bg\_bb}$ <sup>(4)</sup>	240	470	700	nF
$C_{vdda\_dac}$ <sup>(4)</sup>	50	100	150	nF

(1) In power plan configuration.

(2) The typical value corresponds to 4 capacitors of 100 nF.

(3) The typical value corresponds to 7 capacitors of 100 nF.

(4) In power rail configuration.

### 3.4.2 Output Capacitors

The capacitors at the outputs are required to stabilize the internal LDO supply voltages. The capacitors must be placed as close as possible to the balls.

[Table 3-8](#) summarizes the power supply decoupling characteristics.

**Table 3-8. Output Capacitor Characteristics**

PARAMETER	MIN	TYP	MAX	UNIT
C <sub>cap_vdd_sram_mpu_iva</sub>	0.7	1	1.3	μF
C <sub>cap_vdd_sram_core</sub>	0.7	1	1.3	μF
C <sub>cap_vddu_wkup_logic</sub>	0.7	1	1.3	μF
C <sub>cap_vddu_array</sub>	0.7	1	1.3	μF
C <sub>cap_vdd_bb_mpu_iva</sub>	0.7	1	1.3	μF

Figure 3-1 illustrates an example of the external capacitors.

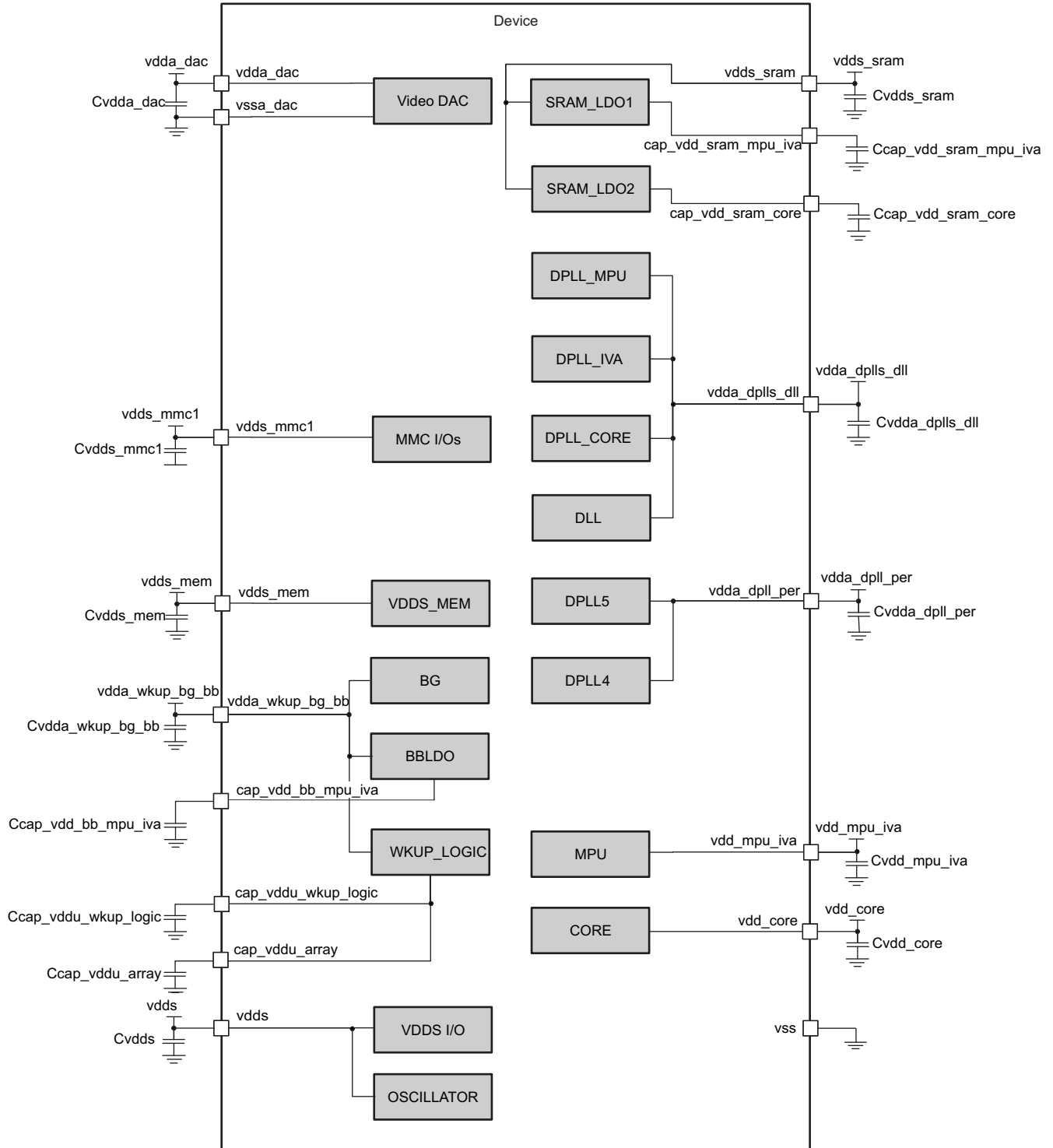


Figure 3-1. External Capacitors



**NOTE**

- Decoupling capacitors must be placed as close as possible to the power ball. Choose the ground located closest to the power pin for each decoupling capacitor. In case of interconnecting powers, first insert the decoupling capacitor and then interconnect the powers.
  - The decoupling capacitor value depends on the board characteristics.
- 

### 3.5 Power-Up and Power-Down Sequences

This section provides the timing requirements for the device hardware signals.

---

**NOTE**

- If the MMC dual voltages interfaces are used with 1.8-V or 3.0-V, then the power-up and power-down sequences specified in the Figure 3-2 and Figure 3-3 must be followed carefully to avoid any significant current consumption.
  - If the MMC dual voltages interfaces are used with 1.8-V only (3.0-V is never used), then vdds\_mmc1, vdds\_x may be connected to the main power supply vdds so that they ramp up together before vdd\_core.
- 

#### 3.5.1 Power-Up Sequence

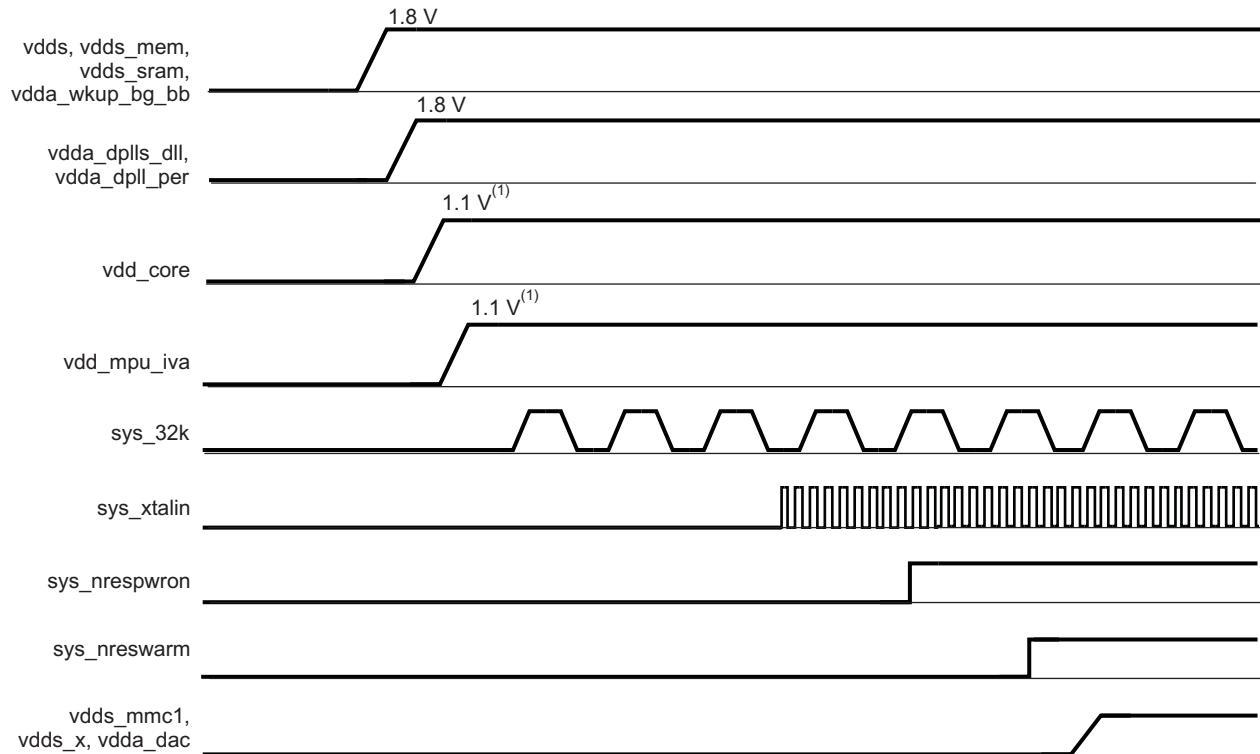
---

**NOTE**

For more information, see the Power, Reset, and Clock Management / PRCM Functional Description / PRCM Reset Manager Functional Description / Reset Sequences of the *AM/DM37x Multimedia Device Technical Reference Manual* (literature number [SPRUGN4](#)).

---

[Figure 3-2](#) shows the power-up sequence.



- (1) 1.2 V supported.
- (2) If an external square clock is provided, it could be started after sys\_nrespwron release, provided it is clean, i.e. no glitch, stable frequency and duty cycle.
- (3) sys\_32k can be turned on any time between the vdds ramp-up and the sys\_nrespwron release.

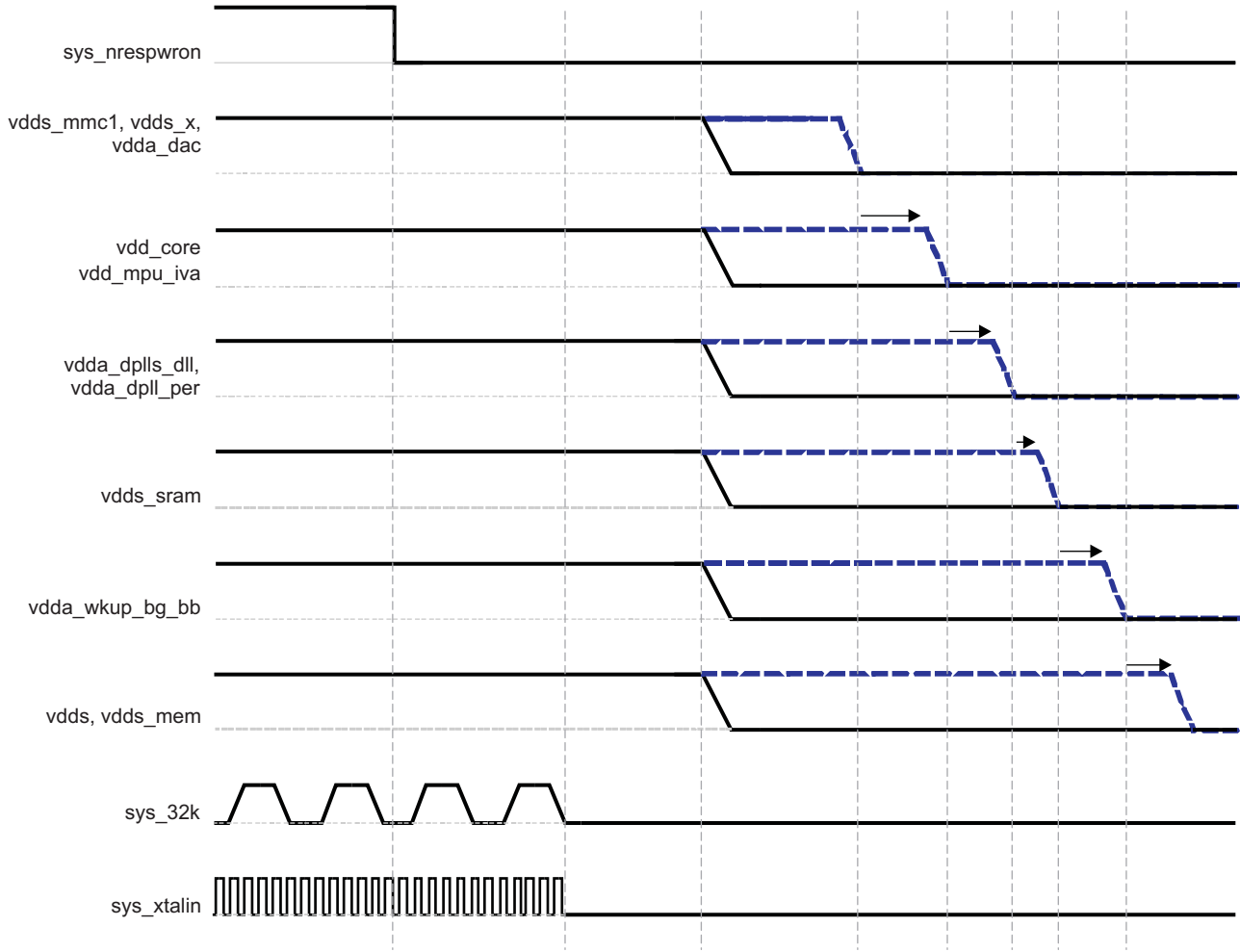
**Figure 3-2. Power-Up Sequence**

### 3.5.2 Power-Down Sequence

The following steps give two examples of power-down sequence supported by the DM37x device.

1. Put the DM37x device under reset (sys\_nrespwron)
2. Stop all signals driven to its balls (sys\_32k, sys\_xtalin)
3. Either:
  - (a) Shutdown all power domains at once. This sequence is described in black color in [Figure 3-3](#).
  - (b) Or, if the shutdown is sequenced, you must follow these steps (described in dash style blue color in [Figure 3-3](#)):
    - Turn off all complex IO domains (vdds\_mmc1, vdds\_x)
    - Turn off all the core and MPU domains (vdd\_core, vdd\_mpu\_iva)
    - Turn off all DPLL domains (vdda\_dpils\_dll, vdda\_dpll\_per)
    - Turn off all sram LDOs (vdds\_sram)
    - Turn off all reference domains (vdda\_wkup\_bg\_bb)
    - Turn off all standard IO domains (vdds, vdds\_mem)

[Figure 3-3](#) shows both power-down sequences: one of them is described in black color, and the other one in dash style blue.



A. sys\_32k can be turned off any time between the sys\_nrespwron assertion and the vdds shut down.

**Figure 3-3. Power-Down Sequence**

**Alternate power-down sequence:**

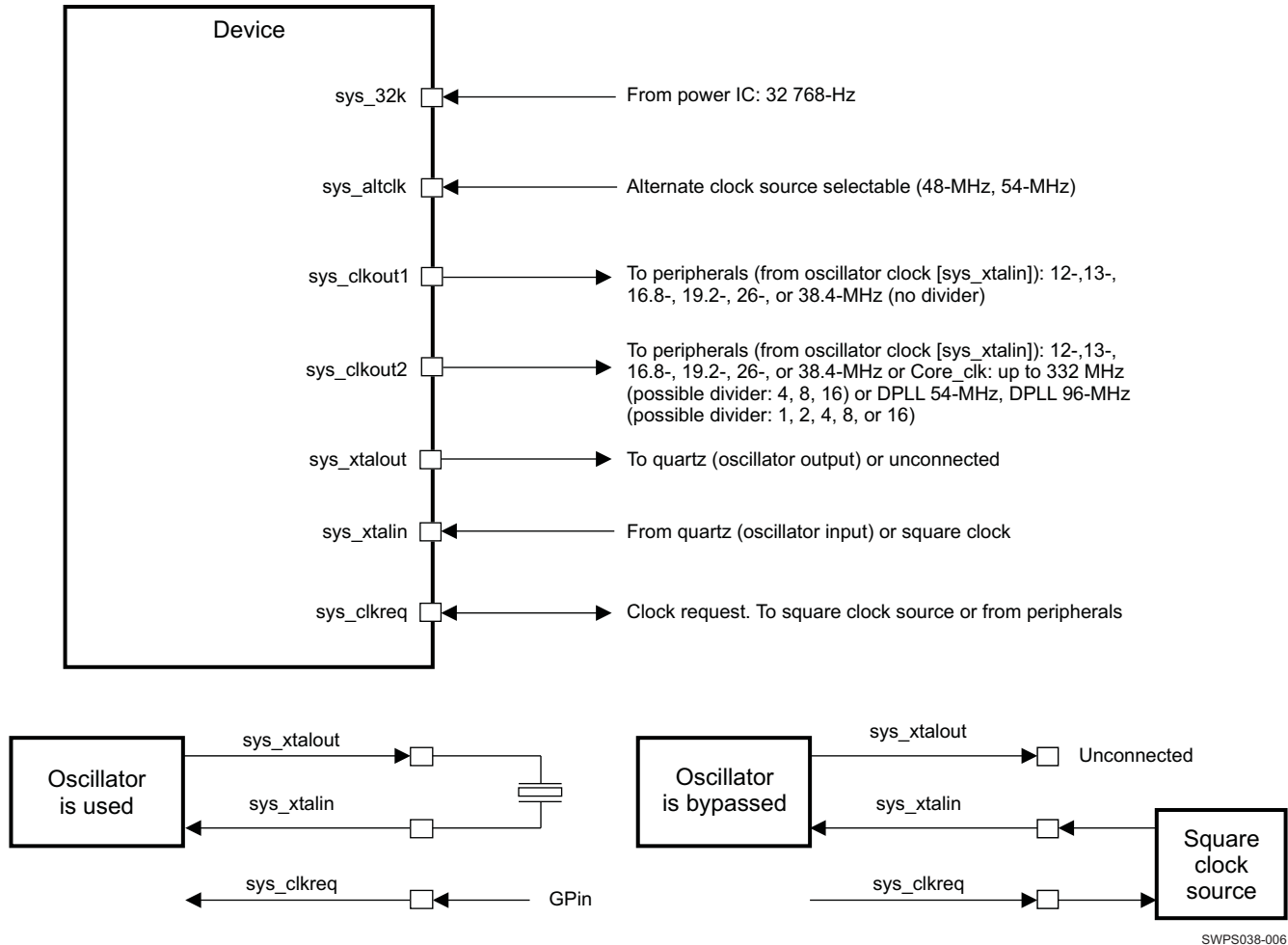
- vdd\_mpu\_iva shuts down before vdd\_core.
- vdda\_sram, vdda\_wkup\_bg\_bb, vdds and vdds\_mem shut down simultaneously.
- vdda\_dp1ls\_dll and vdda\_dp1l\_per shut down anytime between all complex IO domains shut down and vdda\_sram shuts down.

## 4 Clock Specifications

### NOTE

For more information, see the Power, Reset, and Clock Management / PRCM Environment / External Clock Signal and Power, Reset and Clock Management / PRCM Functional Description / PRCM Clock Manager Functional Description sections of the *AM/DM37x Multimedia Device Technical Reference Manual* ([SPRUGN4](#)).

Figure 4-1 shows external input clock sources and output clocks.



**Figure 4-1. Clock Interface**

The device operation requires the following three input clocks:

- The sys\_32k 32-kHz clock is used for low frequency operation. It supplies the wake-up domain for operation in lowest power mode (off mode). This clock is provided through the sys\_32k pin.
- The sys\_altclk system alternative clock can be used (through the sys\_altclk pin) to provide alternative 48 MHz or 54 MHz.
- The sys\_xtalin / sys\_xtalout system input clock (12, 13, 16.8, 19.2, 26, or 38.4 MHz) is used to generate the main source clock of the device. It supplies the DPLLs as well as several other modules. The system input clock can be connected to either:
  - A crystal oscillator clock managed by sys\_xtalin and sys\_xtalout. In this case, the sys\_clkreq is used as an input (GPIN).
  - A CMOS digital clock through the sys\_xtalin pin. In this case, the sys\_clkreq is used as an output to request the external system clock.

The device outputs externally two clocks:

- sys\_clkout1 can output the oscillator clock (12, 13, 16.8, 19.2, 26, or 38.4 MHz) at any time. It can be controlled by software or externally using sys\_clkreq control. When the device is in the off state, the sys\_clkreq can be asserted to enable the oscillator and activate the sys\_clkout1 without waking up the device. The off state polarity of sys\_clkout1 is programmable.
- sys\_clkout2 can output the oscillator clock (12, 13, 16.8, 19.2, 26, or 38.4 MHz), core\_clk (core DPLL output), 96 MHz or 54 MHz. It can be divided by 2, 4, 8, or 16 and its off state polarity is programmable. This output is active only when the core power domain is active.

## 4.1 Input Clock Specifications

### 4.1.1 Input Clock Requirements

Table 4-1 illustrates the requirements to supply a clock to the device.

**Table 4-1. Input Clock Requirements <sup>(4)</sup>**

PAD	CLOCK FREQUENCY		STABILITY	DUTY CYCLE	JITTER	TRANSITION
sys_32k	32.768 kHz		+/- 200 ppm	-	-	<10 ns
sys_xtalout sys_xtalin	12, 13, 16.8, or 19.2 MHz	Crystal	±50 ppm (±5 ppm) <sup>(1)</sup>	-	-	-
	12, 13, 16.8, 19.2, 26, or 38.4 MHz	Square	±50 ppm (±5 ppm) <sup>(1)</sup>	45% to 55%	X% <sup>(2)</sup> * tc(xtalin) <sup>(3)</sup> - 200ps	10 ns
sys_altclk	48 or 54 MHz		+/-50 ppm	49% to 51%	<1%	10 ns

(1) ± 50 ppm is the clock frequency stability/accuracy and ± 5 ppm takes into account the aging effects.

(2) Depending on the internal system clock divider configuration (PRCM.PRM\_CLKSRC\_CTRL[7:6], SYSCLKDIV bit field), the sys\_xtalin input clock can be divided by 2 to provide the standard system clock (SYS\_CLK) frequencies.

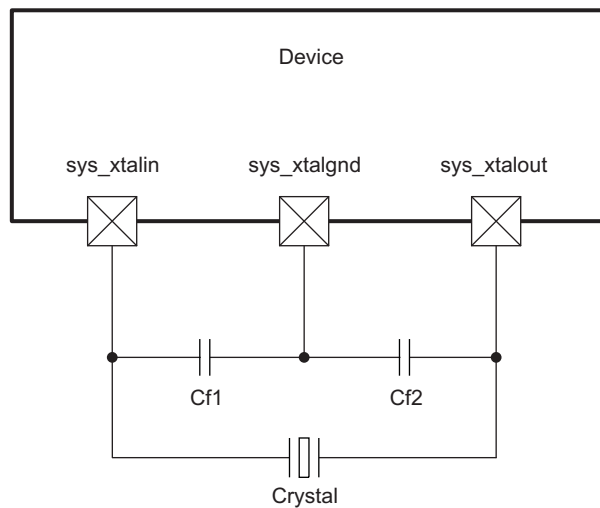
For more information, see the Power, Reset, and Clock Management chapter of the *AM/DM37x Multimedia Device Technical Reference Manual* (SPRUGN4). In X%, X represents then the internal system clock divider with following possible values: X = 1 or 2.

(3) tc(xtalin) is the sys\_xtalin cycle time of the clock coming to sys\_xtalin ball.

(4) In this table, the transition times are calculated for 10%-90% of VDD5. For more information on the corresponding VDD5 power supply name, please see the Ball Characteristics table corresponding to your package. The POWER column defines the VDD5 power supply for each ball.

### 4.1.2 sys\_xtalin / sys\_xtalout External Crystal

An external crystal is connected to the device pins. [Figure 4-2](#) describes the crystal implementation.



**Figure 4-2. Crystal Implementation**

1. When the crystal oscillator is in bypass mode (crystal implementation is unused), the sys\_xtalrnd ball is not connected.

The crystal must be in the fundamental mode of operation and parallel resonant. [Table 4-2](#) summarizes the required electrical constraints.

**Table 4-2. Crystal Electrical Characteristics<sup>(1)</sup>**

NAME	DESCRIPTION	MIN	TYP	MAX	UNIT
$f_p$	Parallel resonance crystal frequency <sup>(1)</sup>	12, 13, 16.8, or 19.2			MHz
$C_{f1}$	$C_{f1}$ load capacitance for crystal parallel resonance with $C_{f1} = C_{f2}$	12		24	pF
$C_{f2}$	$C_{f2}$ load capacitance for crystal parallel resonance with $C_{f1} = C_{f2}$	12		24	pF
ESR( $C_{f1}, C_{f2}$ ) <sup>(2)</sup>	Frequency 12 MHz, Negative resistor at nominal 500 $\Omega$ , Negative resistor at worst case 300 $\Omega$			100	$\Omega$
	Frequency 13 MHz, Negative resistor at nominal 400 $\Omega$ , Negative resistor at worst case 240 $\Omega$			80	$\Omega$
	Frequency 16.8 MHz and 19.2 MHz, Negative resistor at nominal 300 $\Omega$ , Negative resistor at worst case 180 $\Omega$			60	$\Omega$
$C_o$	Crystal shunt capacitance			4.5	pF
DL	Crystal drive level			0.5	mW

(1) Measured with the load capacitance specified by the crystal manufacturer. This load is defined by the foot capacitances tied in series. If  $C_L = 20$  pF, then both foot capacitors will be  $C_{f1} = C_{f2} = 40$  pF. Parasitic capacitance from package and board must also be taken in account.

(2) The crystal motional resistance  $R_m$  is related to the equivalent series resistance (ESR) by the following formula:  

$$ESR = R_m * (1 + (C_o * C_{f1} * C_{f2} / (C_{f1} + C_{f2})))^2$$

When selecting a crystal, the system design must take into account the temperature and aging characteristics of a crystal versus the user environment and expected lifetime of the system.

Table 4-3 details the switching characteristics of the oscillator and the requirements of the input clock.

**Table 4-3. Oscillator Switching Characteristics—Crystal Mode**

NAME	DESCRIPTION	MIN	TYP	MAX	UNIT
$f_p$	Oscillation frequency	12, 13, 16.8, or 19.2			MHz
$t_{sX}$	Start-up time <sup>(1) (2)</sup>	3			ms

(1) Start-up time is defined as the time the oscillator takes to gain `sys_xtalin` amplitude enough to have 45% to 55% duty cycle at the core input from the time power down (PWRDN) is released. Start-up time is a strong function of crystal parameters. At power-on reset, the time is adjustable using the pin itself. The reset must be released when the oscillator or clock source is stable. To switch from bypass mode to crystal or from crystal mode to bypass mode, there is a waiting time about 100  $\mu$ s; however, if the chip comes from bypass mode to crystal mode then the crystal will start-up after time mentioned in the  $t_{sX}$  parameter.

(2) Before the processor boots up and the oscillator is set to bypass mode, there is a waiting time when the internal oscillator is in application mode and receives a square wave. The switching time in this case is about 100  $\mu$ s.

### 4.1.3 `sys_xtalin` Squarer Input Clock

Table 4-4 summarizes the base oscillator electrical characteristics.

**Table 4-4. Oscillator Electrical Characteristics—Bypass Mode**

NAME	DESCRIPTION	MIN	TYP	MAX	UNIT
$f$	Frequency	12, 13, 16.8, 19.2, 26, or 38.4			MHz
$C_i$	Input Capacitance	1.00	1.15	1.35	pF
$R_i$	Input Resistance	160	216	280	$\Omega$
$t_{sX}$	Start-up time <sup>(1)</sup>	See <sup>(2)</sup>			ms

(1) To switch from bypass mode to crystal mode or from crystal mode to bypass mode, there is a waiting time about 100  $\mu$ s; however, if the chip comes from bypass mode to crystal mode then the crystal will start-up after time mentioned in Table 4-3,  $t_{sX}$  parameter above.

(2) Before the processor boots up and the oscillator is set to bypass mode, there is a waiting time when the internal oscillator is in application mode and receives a square wave. The switching time in this case is about 100  $\mu$ s.

Table 4-5 details the squarer input clock timing requirements.

**Table 4-5. sys\_xtalin Squarer Input Clock Timing Requirements—Bypass Mode <sup>(5)</sup>**

NAME	DESCRIPTION	MIN	TYP	MAX	UNIT
OCS0	$1 / t_{c(\text{xtalin})}$ Frequency, sys_xtalin	12, 13, 16.8, 19.2, 26, or 38.4			MHz
OCS1	$t_{w(\text{xtalin})}$ Pulse duration, sys_xtalin low or high	$0.45 * t_{c(\text{xtalin})}$		$0.55 * t_{c(\text{xtalin})}$	ns
	$t_{j(\text{xtalin})}$ Peak-to-peak jitter <sup>(1)</sup> , sys_xtalin			$X\%^{(2)} * t_{c(\text{xtalin})}^{(3)} - 200$	ps
	$t_{R(\text{xtalin})}$ Rise time, sys_xtalin			10	ns
	$t_{F(\text{xtalin})}$ Fall time, sys_xtalin			10	ns
	$t_{J(\text{xtalin})}$ Frequency stability, sys_xtalin			+/-50 (+/-5ppm) <sup>(4)</sup>	ppm

(1)

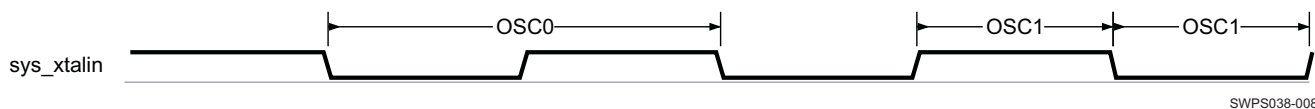
- Peak-to-peak jitter is meant here as follows:
  - The maximum value is the difference between the longest measured clock period and the expected clock period
  - The minimum value is the difference between the shortest measured clock period and the expected clock period Maximum and minimum are obtained on a statistical population of 300 period samples and expressed relative to the expected clock period

(2) Depending on the internal system clock divider configuration (PRCM.PRM\_CLKSRC\_CTRL[7:6], SYSCLKDIV bit field), the sys\_xtalin input clock can be divided by 2 to provide the standard system clock (SYS\_CLK) frequencies. For more information, see the Power, Reset, and Clock Management chapter of the *AM/DM37x Multimedia Device Technical Reference Manual* ([SPRUGN4](#)). In X%, X represents then the internal system clock divider with following possible values: X = 1 or 2.

(3)  $t_{c(\text{xtalin})}$  is the sys\_xtalin cycle time of the clock coming to sys\_xtalin ball.

(4)  $\pm 50$  ppm is the clock frequency stability/accuracy and  $\pm 5$  ppm takes into account the aging effects.

(5) In this table, the transition times are calculated for 10%-90% of VDD5. For more information on the corresponding VDD5 power supply name, please see the Ball Characteristics table corresponding to your package. The POWER column defines the VDD5 power supply for each ball.



SWPS038-008

**Figure 4-3. sys\_xtalin Squarer Input Clock**

#### 4.1.4 sys\_32k CMOS Input Clock

Table 4-6 summarizes the electrical characteristics of the sys\_32k input clock.

**Table 4-6. sys\_32k Input Clock Electrical Characteristics**

NAME	DESCRIPTION	MIN	TYP	MAX	UNIT
f	Frequency, sys_32k	32.768			kHz
$C_i$	Input capacitance			1.6	pF
$R_i$	Input resistance	3		$10^6$	M $\Omega$

Table 4-7 details the input requirements of the sys\_32k input clock.

**Table 4-7. sys\_32k Input Clock Timing Requirements<sup>(1)</sup>**

NAME	DESCRIPTION	MIN	TYP	MAX	UNIT
CK0	$1 / t_{c(32k)}$ Frequency, sys_32k	32.768			kHz
	$t_{R(32k)}$ Rise time, sys_32k			10	ns
	$t_{F(32k)}$ Fall time, sys_32k			10	ns
	$t_{J(32k)}$ Frequency stability, sys_32k			200	ppm



- (1) In this table, the transition times are calculated for 10%-90% of VDD5. For more information on the corresponding VDD5 power supply name, please see the Ball Characteristics table corresponding to your package. The POWER column defines the VDD5 power supply for each ball.

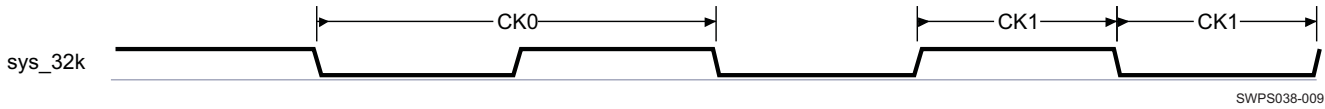


Figure 4-4. sys\_32k Input Clock

#### 4.1.5 sys\_altclk CMOS Input Clock

Table 4-8 summarizes the electrical characteristics of the sys\_altclk input clock.

Table 4-8. sys\_altclk Input Clock Electrical Characteristics

NAME	DESCRIPTION	MIN	TYP	MAX	UNIT
f	Frequency, sys_altclk	48 or 54			MHz
Ci	Input capacitance			1.6	pF
Ri	Input resistance	3		10 <sup>6</sup>	MΩ

Table 4-9 details the input requirements of the sys\_altclk input clock.

Table 4-9. sys\_altclk Input Clock Timing Requirements<sup>(2)</sup>

NAME	DESCRIPTION		MIN	TYP	MAX	UNIT
ALTO	1 / t <sub>c(altclk)</sub>	Frequency, sys_altclk	48 or 54			MHz
ALT1	t <sub>w(altclk)</sub>	Pulse duration, sys_altclk low or high	0.49 * t <sub>c(altclk)</sub>		0.51 * t <sub>c(altclk)</sub>	ns
	t <sub>J(altclk)</sub>	Peak-to-peak jitter <sup>(1)</sup> , sys_altclk	-1%		1%	
	t <sub>R(altclk)</sub>	Rise time, sys_altclk			10	ns
	t <sub>F(altclk)</sub>	Fall time, sys_altclk			10	ns
	t <sub>J(altclk)</sub>	Frequency stability, sys_altclk			50	ppm

- (1) Peak-to-peak jitter is meant here as follows:

- The maximum value is the difference between the longest measured clock period and the expected clock period
- The minimum value is the difference between the shortest measured clock period and the expected clock period Maximum and minimum are obtained on a statistical population of 300 period samples and expressed relative to the expected clock period

- (2) In this table, the transition times are calculated for 10%-90% of VDD5. For more information on the corresponding VDD5 power supply name, please see the Ball Characteristics table corresponding to your package. The POWER column defines the VDD5 power supply for each ball.

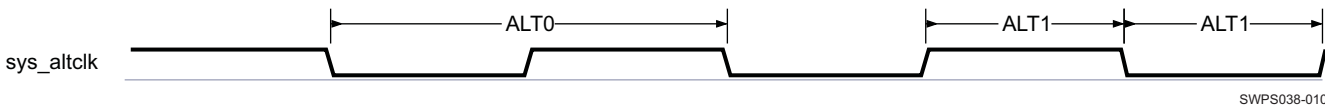


Figure 4-5. sys\_altclk Input Clock

## 4.2 Output Clocks Specifications

### 4.2.1 sys\_clkout1 Output Clock

Table 4-10 summarizes the sys\_clkout1 output clock electrical characteristics.

**Table 4-10. sys\_clkout1 Output Clock Electrical Characteristics**

NAME	DESCRIPTION	MIN	TYP	MAX	UNIT
f	Frequency, sys_clkout1	sys_xtalin / sys_xtalout clock frequency			MHz
SC[0:1] = 00 <sup>(1)</sup>					
C <sub>L</sub>	Load capacitance (transmission line load + far end load)	4		60	pF
Z <sub>T</sub>	Transmission line impedance	30		70	Ω
L <sub>T</sub>	Transmission line length	2		20	cm
SC[0:1] = 01 <sup>(1)</sup>					
C <sub>L</sub>	Load capacitance (transmission line load + far end load)	7		33	pF
Z <sub>T</sub>	Transmission line impedance	30		70	Ω
L <sub>T</sub>	Transmission line length	2		8	cm
SC[0:1] = 10 <sup>(1)</sup>					
C <sub>L</sub>	Load capacitance (transmission line load + far end load)	2		21	pF
Z <sub>T</sub>	Transmission line impedance	30		70	Ω
L <sub>T</sub>	Transmission line length	1		6	cm

(1) The mode is configured by bits SC0 and SC1 of the IO cell. For more details, see the *AM/DM37x Multimedia Device Technical Reference Manual* (SPRUGN4).

Table 4-11 details the sys\_clkout1 output clock switching characteristics.

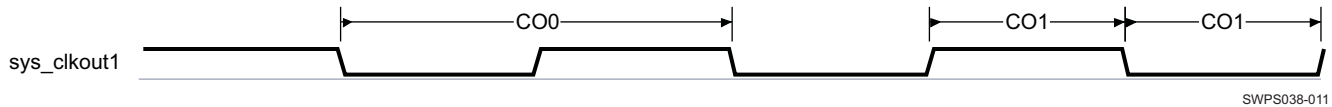
**Table 4-11. sys\_clkout1 Output Clock Switching Characteristics<sup>(6)</sup>**

NAME	DESCRIPTION		MIN	TYP	MAX	UNIT
CO0	1 / t <sub>c</sub> (CLKOUT1)	Frequency, sys_clkout1	sys_xtalin/sys_xtalout clock frequency			MHz
SC[0:1] = 00 <sup>(1)</sup>						
	C <sub>L</sub>	Load capacitance	4		60	pF
	t <sub>j</sub>	Peak-to-peak jitter			X <sup>(5)</sup> + 693	ps
	t <sub>JC2C</sub>	Cycle-to-cycle jitter			X <sup>(5)</sup> + 705	ps
	t <sub>W</sub> (CLKOUT1)	Pulse duration, sys_clkout1 low or high	0.45* <sub>tc</sub> (CLKOUT1)		0.55* <sub>tc</sub> (CLKOUT1)	
	t <sub>R</sub> (CLKOUT1)	Rise time, sys_clkout1	1 <sup>(2)</sup> (4)		15 <sup>(3)</sup>	ns
	t <sub>F</sub> (CLKOUT1)	Fall time, sys_clkout1	1 <sup>(2)</sup> (4)		15 <sup>(3)</sup>	ns
SC[0:1] = 01 <sup>(1)</sup>						
	C <sub>L</sub>	Load capacitance	7		33	pF
	t <sub>j</sub>	Peak-to-peak jitter			X <sup>(5)</sup> + 543	ps
	t <sub>JC2C</sub>	Cycle-to-cycle jitter			X <sup>(5)</sup> + 555	ps
	t <sub>W</sub> (CLKOUT1)	Pulse duration, sys_clkout1 low or high	0.45* <sub>tc</sub> (CLKOUT1)		0.55* <sub>tc</sub> (CLKOUT1)	
	t <sub>R</sub> (CLKOUT1)	Rise time, sys_clkout1	0.6 <sup>(2)</sup> (4)		7 <sup>(3)</sup>	ns
	t <sub>F</sub> (CLKOUT1)	Fall time, sys_clkout1	0.6 <sup>(2)</sup> (4)		7 <sup>(3)</sup>	ns
SC[0:1] = 10 <sup>(1)</sup>						
	C <sub>L</sub>	Load capacitance	2		21	pF
	t <sub>j</sub>	Peak-to-peak jitter			X <sup>(5)</sup> + 603	ps
	t <sub>JC2C</sub>	Cycle-to-cycle jitter			X <sup>(5)</sup> + 615	ps
	t <sub>W</sub> (CLKOUT1)	Pulse duration, sys_clkout1 low or high	0.47* <sub>tc</sub> (CLKOUT1)		0.53* <sub>tc</sub> (CLKOUT1)	
	t <sub>R</sub> (CLKOUT1)	Rise time, sys_clkout1	0.4 <sup>(2)</sup> (4)		5 <sup>(3)</sup>	ns

**Table 4-11. sys\_clkout1 Output Clock Switching Characteristics<sup>(6)</sup> (continued)**

NAME	DESCRIPTION	MIN	TYP	MAX	UNIT
$t_{f(\text{CLKOUT1})}$	Fall time, sys_clkout1	0.4 <sup>(2)</sup> (4)		5 <sup>(3)</sup>	ns

- (1) The mode is configured by bits SC0 and SC1 of the IO cell. For more details, see the *AM/DM37x Multimedia Device Technical Reference Manual* ([SPRUGN4](#)).
- (2) At minimum load
- (3) At maximum load (Maximum frequency 20 MHz)
- (4) Caution: this creates EMI parasitics up to 1.2 ns
- (5) X parameter corresponds to the input jitter contribution added at sys\_xtalin input pin. For more information regarding the sys\_xtalin input jitter requirement, see [Section 4.1.1](#).
- (6) In this table, the transition times are calculated for 10%-90% of VDDS. For more information on the corresponding VDDS power supply name, please see the Ball Characteristics table corresponding to your package. The POWER column defines the VDDS power supply for each ball.



**Figure 4-6. sys\_clkout1 Output Clock**

### 4.2.2 sys\_clkout2 Output Clock

[Table 4-12](#) summarizes the sys\_clkout2 output clock electrical characteristics.

**Table 4-12. sys\_clkout2 Output Clock Electrical Characteristics**

NAME	DESCRIPTION	MIN	TYP	MAX	UNIT
f	Frequency, sys_clkout2	sys_xtalin clock or core_dpII clock <sup>(1)</sup> or 54 MHz, 96 MHz <sup>(2)</sup>			MHz
$C_L$	Load capacitance	2		22	pF
$Z_T$	Transmission line impedance	30		70	$\Omega$
$L_T$	Transmission line length	1		6	cm

- (1) Possible divider: 4, 8, or 16.
- (2) Possible divider: 1, 2, 4, 8, or 16.

[Table 4-13](#) details the sys\_clkout2 output clock switching characteristics.

**Table 4-13. sys\_clkout2 Output Clock Switching Characteristics<sup>(8)</sup>**

NAME	DESCRIPTION	MIN	TYP	MAX	UNIT
CO0	$1 / t_{c(\text{CLKOUT2})}$ Frequency, sys_clkout2	sys_xtalin clock or core_dpII clock <sup>(3)</sup> or 54 MHz, 96 MHz <sup>(4)</sup>			MHz
	$t_{c(\text{xtalin})}$ Cycle time, sys_xtalin			$1 / \text{sys\_xtalin (MHz)}$	ns
	$t_{c(\text{coredpII})}$ Cycle time, core_dpII (DPLL3) <sup>(7)</sup>			$1 / \text{core\_dpII (MHz)}$	ns
	$t_{c(54\text{mhz})}$ Cycle time, 54MHz clock (DPLL4) <sup>(7)</sup>			18.52	ns
	$t_{c(96\text{mhz})}$ Cycle time, 96MHz clock (DPLL4) <sup>(7)</sup>			10.42	ns
CO1	$t_{w(\text{CLKOUT2})}$ Pulse duration, sys_clkout2 low or high	$0.49 * t_{c(\text{clkout} 2)}$		$0.51 * t_{c(\text{clkout} 2)}$	ns

**Table 4-13. sys\_clkout2 Output Clock Switching Characteristics<sup>(8)</sup> (continued)**

NAME	DESCRIPTION		MIN	TYP	MAX	UNIT
$t_j^{(5)}$	Peak-to-peak jitter	Source clock: sys_xtalin			$X\%^{(6)} * t_{c(xtalin)} + 200$	ps
		Source clock: core_dpll			$4\% * t_{c(core_dpll)} + 200$	ps
		Source clock: 54MHz			$4\% * t_{c(54mhz)} + 200$	ps
		Source clock: 96MHz			$4\% * t_{c(96mhz)} + 200$	ps
$t_{R(CLKOUT2)}$	Rise time, sys_clkout2		1.5 <sup>(1)</sup>		5 <sup>(2)</sup>	ns
$t_{F(CLKOUT2)}$	Fall time, sys_clkout2		1.5 <sup>(1)</sup>		5 <sup>(2)</sup>	ns

(1) At minimum load

(2) At maximum load (maximum frequency 104 MHz)

(3) Possible divider: 4, 8, 16

(4) Possible divider: 1, 2, 4, 8, or 16

(5) Peak-to-peak jitter is meant here as follows:

- The maximum value is the difference between the longest measured clock period and the expected clock period
- The minimum value is the difference between the shortest measured clock period and the expected clock period

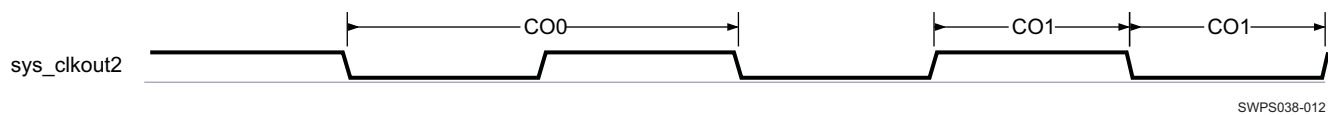
Maximum and minimum are obtained on a statistical population of 300 period samples and expressed relative to the expected clock period.

(6) Depending on the internal system clock divider configuration (PRCM.PRM\_CLKSRC\_CTRL[7:6], SYSCLKDIV bit field), the sys\_xtalin input clock can be divided by 2 to provide the standard system clock (SYS\_CLK) frequencies. For more information, see the Power, Reset, and Clock Management / PRCM Functional Description / PRCM Clock Manager Functional Description / External Clock I/Os / External Clock Inputs / High-Frequency System Clock section of *AM/DM37x Multimedia Device Technical Reference Manual* (literature number [SPRUGN4](#)).

In X%, X represents then the internal system clock divider with following possible values: X = 1 or 2.

(7) This cycle time specified here is the clock period of the clock going out of sys\_clkout2.

(8) In this table, the transition times are calculated for 10%-90% of VDDS. For more information on the corresponding VDDS power supply name, please see the Ball Characteristics table corresponding to your package. The POWER column defines the VDDS power supply for each ball.



SWPS038-012

**Figure 4-7. sys\_clkout2 Output Clock**

### 4.3 DPLL and DLL Specifications

#### NOTE

For more information, see Power, Reset, and Clock Management / PRCM Functional Description / PRCM Clock Manager Functional Description / Internal Clock Generation / DPLLs section of the *AM/DM37x Multimedia Device Technical Reference Manual* ([SPRUGN4](#)).

The applicative subsystem integrates six DPLLs and a DLL. The PRM and CM drive those listed below.

The main DPLLs are:

- DPLL1 (MPU)
- DPLL2 (IVA)
- DPLL3 (Core)
- DPLL4 (Peripherals)
- DPLL5 (Second peripherals DPLL)

### 4.3.1 DPLL Characteristics

Table 4-14 summarizes the DPLL characteristics and assumes testing over recommended operating conditions.

**Table 4-14. DPLL1 - DPLL2 - DPLL3 - DPLL5 Characteristics**

NAME	DESCRIPTION	MIN	TYP	MAX	UNIT	COMMENTS
vdda_dplls_dll	Supply voltage for DPLLs (MPU, IVA, and Core) and DLL	1.71	1.8	1.91	V	
vdda_dppll_per	Supply voltage for DPLL (Peripherals)	1.71	1.8	1.91	V	
f <sub>input</sub>	CLKINP Input frequency	0.032		52	MHz	FINP
f <sub>internal</sub>	Internal reference frequency	0.032		52	MHz	REFCLK
f <sub>CLKINPHIF</sub>	CLKINPHIF Input frequency	10		1000	MHz	FINPHIF
f <sub>CLKINPULOW</sub>	CLKINPULOW Input frequency	0.001		800	MHz	
f <sub>CLKOUT</sub>	CLKOUT output frequency	10 <sup>(1)</sup>		1000 <sup>(2)</sup>	MHz	$[M / (N + 1)] * FINP * [1 / M2]$
f <sub>CLKOUTx2</sub>	CLKOUTx2 output frequency	20 <sup>(1)</sup>		2000 <sup>(2)</sup>	MHz	$2 * [M / (N + 1)] * FINP * [1 / M2]$
f <sub>CLKOUTHIF</sub>	CLKOUTHIF output frequency	10 <sup>(3)</sup>		1000 <sup>(4)</sup>	MHz	FINPHIF / M3
		20 <sup>(3)</sup>		2000 <sup>(4)</sup>		$2 * [M / (N + 1)] * FINP * [1 / M3]$
f <sub>DCOCLKLDO</sub>	DCOCLKLDO output frequency	20		2000	MHz	$2 * [M / (N + 1)] * FINP$
t <sub>lock</sub>	Frequency lock time			1.9 + 350*REFCLK	µs	
P <sub>lock</sub>	Phase lock time			1.9 + 500*REFCLK	µs	
t <sub>relock-L</sub>	Relock time—Frequency lock <sup>(5)</sup> (Low power bypass)			1.9 + 70*REFCLK	µs	DPLL in low-power mode: lowcurrstbby = 1
P <sub>relock-L</sub>	Relock time—Phase lock <sup>(5)</sup> (Low power bypass)			1.9 + 120*REFCLK	µs	DPLL in low-power mode: lowcurrstbby = 1
t <sub>relock-F</sub>	Relock time—Frequency lock <sup>(5)</sup> (Fast relock bypass)			0.05 + 70*REFCLK	µs	DPLL in normal mode: lowcurrstbby = 0
P <sub>relock-F</sub>	Relock time—Phase lock <sup>(5)</sup> (Fast relock bypass)			0.05 + 120*REFCLK	µs	DPLL in normal mode: lowcurrstbby = 0

(1) The minimum frequencies on CLKOUT and CLKOUTX2 are assuming M2 = 1. For M2 > 1, the minimum frequency on these clocks will further scale down by factor of M2.

(2) The maximum frequencies on CLKOUT and CLKOUTX2 are assuming M2 = 1.

(3) The minimum frequency on CLKOUTHIF is assuming M3 = 1. For M3 > 1, the minimum frequency on this clock will further scale down by factor of M3.

(4) The maximum frequency on CLKOUTHIF is assuming M3 = 1.

(5) Relock time assumes typical operating conditions, 10°C maximum temperature drift.

**Table 4-15. DPLL4 Characteristics**

NAME	DESCRIPTION	MIN	TYP	MAX	UNIT	COMMENTS
vdda_dppll_per	Supply voltage for DPLL (peripherals)	1.71	1.8	1.91	V	
f <sub>input</sub>	CLKINP input clock frequency	0.5		60	MHz	FINP
f <sub>internal</sub>	REFCLK internal reference frequency	0.5		2.5	MHz	REFCLK
f <sub>CLKINPULOW</sub>	CLKINPULOW bypass input frequency	0.001		800	MHz	
f <sub>CLKOUT</sub>	CLKOUT output clock frequency	10 <sup>(1)</sup>		2000 <sup>(2)</sup>	MHz	$[M / (N + 1)] * FINP * [1 / M2]$
f <sub>DCOCLKLDO</sub>	Internal oscillator (DCO) output clock frequency	500		2000	MHz	$[M / (N + 1)] * FINP$
t <sub>lock</sub>	Frequency lock time			350*REFCLK	µs	
P <sub>lock</sub>	Phase lock time			500*REFCLK	µs	
t <sub>relock-L</sub>	Relock time—Frequency lock <sup>(3)</sup> (Low power bypass)			7.5 + 30*REFCLKs	µs	DPLL in low-power mode: lowcurrstbby = 1

**Table 4-15. DPLL4 Characteristics (continued)**

NAME	DESCRIPTION	MIN	TYP	MAX	UNIT	COMMENTS
P <sub>relock-L</sub>	Relock time—Phase lock <sup>(3)</sup> (Low power bypass)			7.5 + 125*REFCLKs	μs	DPLL in low-power mode: lowcurrstbby = 1
t <sub>relock-F</sub>	Relock time—Frequency lock <sup>(3)</sup> (Fast relock bypass)			NA	μs	
P <sub>relock-F</sub>	Relock time—Phase lock <sup>(3)</sup> (Fast relock bypass)			NA	μs	

- (1) The minimum frequency on CLKOUT is assuming M2 = 1. For M2 > 1, the minimum frequency on this clock will further scale down by factor of M2.
- (2) The maximum frequency on CLKOUT is assuming M2 = 1.
- (3) Relock time assumes typical operating conditions, 10°C maximum temperature drift.

### 4.3.2 DLL Characteristics

Table 4-16 summarizes the DLL characteristics and assumes testing over recommended operating conditions.

**Table 4-16. DLL Characteristics**

NAME	DESCRIPTION	MIN	TYP	MAX	UNIT	COMMENTS
vdda_dp1ls_dll	Supply voltage for DPLLs (MPU, IVA, and Core) and DLL	1.71	1.8	1.91	V	
f <sub>input</sub>	Input clock frequency <sup>(1)</sup>	66	120	200	MHz	Either application mode 0 and 1
t <sub>lock</sub>	Lock time			500	Clocks	
t <sub>relock</sub>	Relock time (Mode transitions through idle mode)			500	ns	IDLE to MODEMAXDELAY
			250	450	Clocks	IDLE to APPLICATION MODE 1 or 0
			1.88	3.38	μs	IDLE to APPLICATION MODE @133 MHz
			1.50	2.71	μs	IDLE to APPLICATION MODE @166 MHz
			1.25	2.25	μs	IDLE to APPLICATION MODE @200 MHz

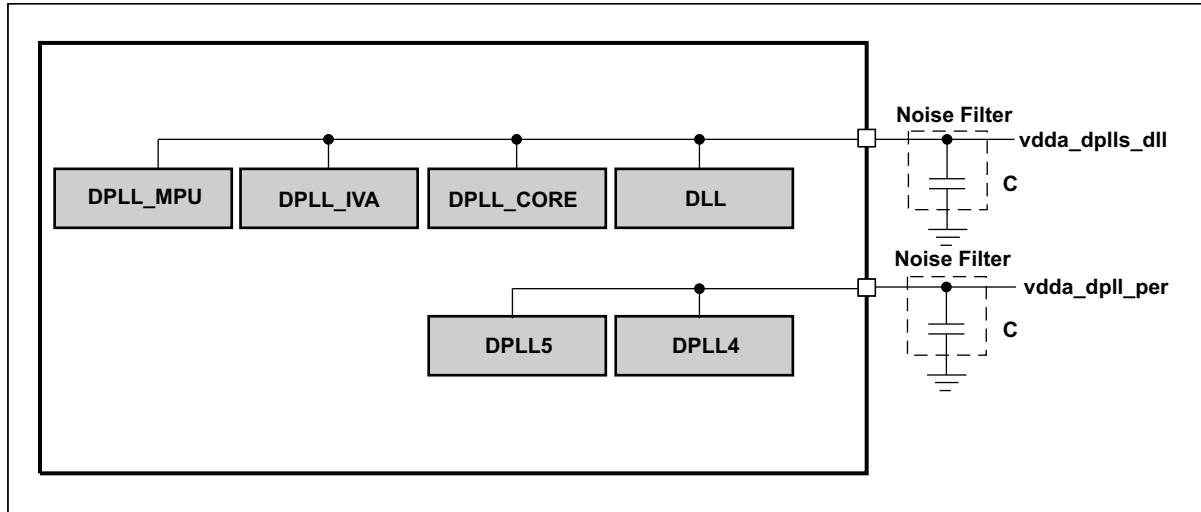
- (1) Maximum frequency for nominal conditions.

### 4.3.3 DPLL and DLL Noise Isolation

The noise filters (decoupling capacitors) are required to suppress the switching noise generated by high frequency and to stabilize the supply voltage.

A noise filter is most effective when it is close to the device, because this minimizes the inductance of the circuit board wiring and interconnects.

Figure 4-8 illustrates an example of a noise filter.



030-017

- A. This circuit is provided only as an example.
- B. The filter must be located as close as possible to the device.

Figure 4-8. DPLL Noise Filter

Table 4-17 specifies the noise filter requirements.

Table 4-17. DPLL Noise Filter Requirements(1)

NAME	MIN	TYP	MAX	UNIT
Filtering capacitor	50	100	150	nF

(1) For more information, see [IO and Analog Voltage Decoupling Capacitors](#).

### 4.3.4 Processor Clocks

Table 4-18 through Table 4-20 show the clocks AC performance values.

Table 4-18. Processor Voltages Without SmartReflex™

	RETENTIO N	OPP50			OPP100			OPP130(3)		
		MIN	TYP	MAX	MIN	TYP	MAX	MIN	TYP	MAX
VDD1(1) (2) (V)	0.8	0.92	0.97	1.02	1.08	1.14	1.2	1.21	1.27	1.33

- (1) At ball level.
- (2) Minimum OPP voltage values defined in this table include any voltage transient.
- (3) OPP130 is not available above T<sub>J</sub> of 90C.

Table 4-19. Processor Voltages With SmartReflex™

	RETENTIO N	OPP50			OPP100			OPP130(4)			OPP1G (4) (5)(6)		
		MIN	TYP	MAX	MIN	TYP	MAX	MIN	TYP	MAX	MIN	TYP	MAX

**Table 4-19. Processor Voltages With SmartReflex™ (continued)**

	RETENTION	OPP50			OPP100			OPP130 <sup>(4)</sup>			OPP1G <sup>(4)(5)(6)</sup>		
VDD1 <sup>(1)(2)</sup> (3) (V)	0.8	0.92	0.97	1.02	1.08	1.14	1.2	1.21	1.27	1.33	1.28	1.33	1.38

- (1) At ball level.
- (2) These VDD1 (vdd\_mpu\_iva) values are the required voltage ranges prior to enabling the SmartReflex AVS feature. After calibration, the minimum voltage may be lower than this specification.
- (3) Minimum OPP voltage values defined in this table include any voltage transient.
- (4) OPP130 and OPP1G are not available above T<sub>J</sub> of 90C.
- (5) OPP1G is a high performance operating point which has following requirements:
  - ABB LDO must be set to FBB (Forward Body Bias) mode when switching to this OPP. It requires having a 1μF capacitor connected to cap\_vdd\_bb\_mpu\_iva.
  - AVS (Adaptive Voltage Scaling) power technique must be used to achieve optimum operating voltage.
- (6) Based on DM3730 PCB constraints, the vdd\_mpu\_iva (VDD1) voltage value calibrated before enabling SmartReflex™ is recommended to be 1.38V. Minimum (1.28V) and typical (1.33V) values provided can be achieved only with very good power delivery network design. For more information on vdd\_mpu\_iva power delivery network design requirements, see the [PCB Design Requirements for VDD\\_MPU\\_IVA Power Distribution Network for TI OMAP3630, AM37xx, and DM37xx Microprocessors \(SPRABJ7\)](#) application note.

**Table 4-20. Processor Clocks**

Description	Source Clock	OPP50		OPP100		OPP130		OPP1G <sup>(2)</sup>	
		Max Freq.(MHz)	Ratio	Max Freq.(MHz)	Ratio	Max Freq.(MHz)	Ratio	Max Freq.(MHz)	Ratio
DPLL1 Locked Frequency	-	1200	-	1200	-	1600	-	2000	-
DPLL1CLKO UT_M2	DPLL1 Locked Frequency	300	2 *(M2 = 2) <sup>(1)(4)</sup>	600	2 *(M2 = 1) <sup>(1)(4)</sup>	800	2 *(M2 = 1) <sup>(1)(4)</sup>	1000	2 *(M2 = 1) <sup>(1)(4)</sup>
DPLL2 Locked Frequency	-	1040	-	1040	-	1320	-	1600	-
DPLL2CLKO UT_M2	DPLL2 Locked Frequency	260	2 *(M2 = 2) <sup>(1)(4)</sup>	520	2 *(M2 = 2) <sup>(1)(4)</sup>	660	2 *(M2 = 2) <sup>(1)(4)</sup>	800	2 *(M2 = 2) <sup>(1)(4)</sup>
ARM_FCLK	DPLL1CLKO UT_M2	300	1	600	1	800	1	1000	1
IVA_CLK	DPLL2CLKO UT_M2	260	1	520	1	660	1	800	1

- (1) This ratio is configurable by software programming. For more information, see the *AM/DM37x Multimedia Device Technical Reference Manual* ([SPRUGN4](#)).
- (2) OPP1G is a high performance operating point which has following requirements:
  - ABB LDO must be set to FBB (Forward Body Bias) mode when switching to this OPP. It requires having a 1μF capacitor connected to cap\_vdd\_bb\_mpu\_iva.
  - AVS (Adaptive Voltage Scaling) power technique must be used to achieve optimum operating voltage.
- (3) For more information about ARM\_FCLK and IVA2\_CLK processor clocks configuration, see the Power, Reset, and Clock Management / PRCM Functional Description / PRCM Clock Manager Functional Description / Clock Configurations / Processor Clock Configurations section or the MPU Subsystem / MPU Subsystem Integration / MPU Subsystem Clock and Reset Distribution / Clock Distribution section of the *AM/DM37x Multimedia Device Technical Reference Manual* ([SPRUGN4](#)).
- (4) The DPLL ratios documented in this table are recommended ratios. Other values may apply.



### 4.3.5 Device Core Clocks

Table 4-21 and Table 4-22 show the device core clocks AC performance values.

**Table 4-21. Device Core Voltages**

	RETENTION	OPP50			OPP100		
	MIN	MIN	TYP	MAX	MIN	TYP	MAX
V <sub>DD2</sub> <sup>(1)</sup> <sup>(2)</sup> <sup>(3)</sup> (V)	0.8	0.90	0.95	1.00	1.08	1.14	1.20

(1) At ball level.

(2) Minimum OPP voltage values defined in this table include any voltage transient.

(3) When SmartReflex™ is not used, these values define the required voltage range. When SmartReflex™ will be used, these voltages are the required voltage range prior to enabling the SmartReflex™ feature. After calibration, the minimum voltage may be lower than this specification.

**Table 4-22. Device Core Clocks**

Description	Source	OPP50				OPP100							
		Max Freq.(MHz)	Ratio	Max Freq.(MHz)	Ratio	Max Freq.(MHz)	Ratio	Max Freq.(MHz)	Ratio				
DPPLL3 Locked Frequency	-	800	-	664	-	400	-	800	-	664	-	532	-
DPPLL3C LKOUT_M2	DPPLL3 Locked Frequency	200	2 *(M2 = 2) <sup>(1)(2)</sup>	166	2 *(M2 = 1) <sup>(1)(2)</sup>	200	2 *(M2 = 1) <sup>(1)(2)</sup>	400	2 *(M2 = 1) <sup>(1)(2)</sup>	332	2 *(M2 = 1) <sup>(1)(2)</sup>	266	2 *(M2 = 1) <sup>(1)(2)</sup>
CORE_C LK	DPPLL3C LKOUT_M2	200	1	166	1	200	1	400	1	332	1	266	1
L3_ICLK	CORE_C LK	100	2 <sup>(1)</sup>	83	2 <sup>(1)</sup>	100	2 <sup>(1)</sup>	200	2 <sup>(1)</sup>	166	2 <sup>(1)</sup>	133	2 <sup>(1)</sup>
L4_ICLK	L3_ICLK	50	2 <sup>(1)</sup>	41.5	2 <sup>(1)</sup>	50	2 <sup>(1)</sup>	100	2 <sup>(1)</sup>	83	2 <sup>(1)</sup>	66.5	2 <sup>(1)</sup>
SDRC_C LK	L3_ICLK	100	1	83	1	100	1	200	1	166	1	133	1
GPMC_C LK	L3_ICLK	50	2 <sup>(1)</sup>	41.5	2 <sup>(1)</sup>	50	2 <sup>(1)</sup>	100	2 <sup>(1)</sup>	83	2 <sup>(1)</sup>	66.5	2 <sup>(1)</sup>

(1) This ratio is configurable by software programming. For more information, see the *AM/DM37x Multimedia Device Technical Reference Manual* ([SPRUGN4](#)).

(2) The DPPLL ratios documented in this table are recommended ratios. Other values may apply.

### 4.3.6 Graphic Accelerator (SGX) Clocks

Table 4-23 and Table 4-24 show the recommended V<sub>DD2</sub> (corresponding to vdd\_core, Core and SGX voltage at ball level) voltages ranges and the standard graphic accelerator (SGX) clocks speed characteristics vs V<sub>DD2</sub>.

**Table 4-23. Graphic Accelerator Voltages**

	OPP 100 <sup>(2)</sup>		
	MIN	TYPICAL	MAX
V <sub>DD2</sub> <sup>(1)(3)(4)</sup> (V)	1.08	1.14	1.20

(1) At ball level.

(2) SGX (Graphic Accelerator) is not available in the OPP50 operating point.

(3) When SmartReflex™ is not used, these values define the required voltage range. When SmartReflex™ will be used, these voltages are the required voltage range prior to enabling the SmartReflex™ feature. After calibration, the minimum voltage may be lower than this specification.

(4) Minimum OPP voltage values defined in this table include any voltage transient.

**Table 4-24. Graphic Accelerator Clocks<sup>(2)</sup>**

Description	Source Clock	OPP 100 <sup>(2)</sup>					
		Max Freq (MHz)	Ratio	Max Freq (MHz)	Ratio	Max Freq (MHz)	Ratio
DPLL3 Locked Frequency		800		664		532	
DPLL4 Locked Frequency		1728		1728		1728	
DPLL3CLKOUTX2_M2	DPLL3 Locked Frequency	800	1 * (M2 = 1) <sup>(1)(3)</sup>	664	1 * (M2 = 1) <sup>(1)(3)</sup>	532	1 * (M2 = 1) <sup>(1)(3)</sup>
DPLL3CLKOUT_M2	DPLL3 Locked Frequency	400	2 * (M2 = 1) <sup>(1)(3)</sup>	332	2 * (M2 = 1) <sup>(1)(3)</sup>	266	2 * (M2 = 1) <sup>(1)(3)</sup>
DPLL4CLKOUT_M2	DPLL4 Locked Frequency	192	1 * (M2 = 9) <sup>(1)(3)</sup>	192	1 * (M2 = 9) <sup>(1)(3)</sup>	192	1 * (M2 = 9) <sup>(1)(3)</sup>
CORE_CLK	DPLL4 Locked Frequency	400	1	332	1	266	1
COREX2_CLK	DPLL3CLKOUTX2_M2	800	1	664	1	532	1
SGX_192M_FCLK	DPLL4CLKOUT_M2	192	1	192	1	192	1
SGX – Option 1	CORE_CLK	200	2	166	2	133	2
SGX – Option 2	COREX2_CLK					177.3	3
SGX – Option 3	SGX_192M_FCLK	192	1	192	1	192	1

(1) This ratio is configurable by software programming. For more information, see the *AM/DM37x Multimedia Device Technical Reference Manual* ([SPRUGN4](#)).

(2) SGX (Graphic Accelerator) is not available in OPP50 operating point.

(3) The DPLL ratios documented in this table are recommended ratios. Other values may apply.

## 5 Video DAC Specifications

### NOTE

For more information regarding the VideoDAC architecture, see the Display Subsystem / Display Subsystem Functional Description / Video Encoder Functionalities / Video DAC Stage—Architecture and Control section of *AM/DM37x Technical Reference Manual* (literature number [SPRUGN4](#)).

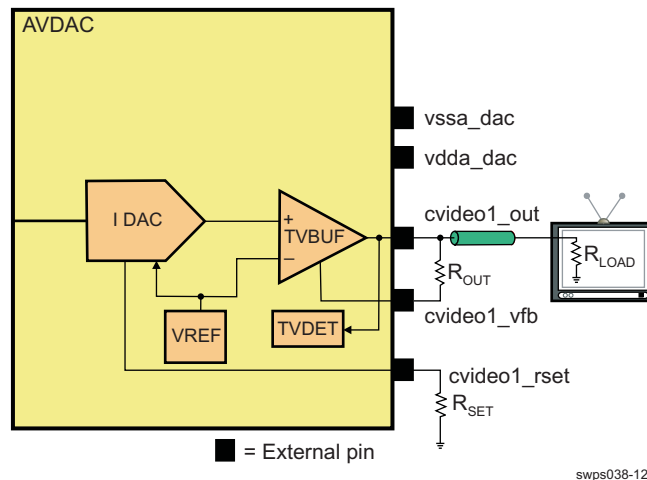
### 5.1 TVOUT Buffer Mode (DAC + Buffer)

### NOTE

AVDAC normal mode (DAC + Buffer), higher values of the DAC input code provided by the Video Encoder will result in lower output voltage due to the inverting configuration of the TVOUT Buffer. See [Figure 5-4](#) for more details on the relation between the composite video signal levels and the DAC code values for normal mode of operation.

In AVDAC bypass mode (DAC only), higher values of the DAC input code will result in higher output voltage, as the TVOUT Buffer path is bypassed.

The connection for this TVOUT buffer mode (DAC + Buffer) normal mode of operation is shown in [Figure 5-1](#). The default mode of operation is dc coupling. For more information regarding the recommended values of the external components, see [Section 5.4, Electrical Specifications Over Recommended Operating Conditions](#).

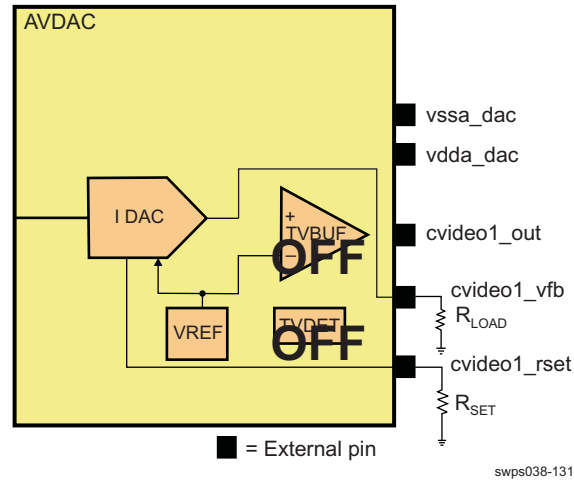


**Figure 5-1. Recommended Loading Conditions for TVOUT Buffer Mode(1)**

(1) In single-channel configuration only channel-1 is used.

## 5.2 TVOUT Bypass Mode (DAC Only)

In this case, TVOUT bypass input is high and the TVOUT buffer is bypassed (for more information, see [Section 5.5, TVOUT Bypass Mode Specifications \(DAC-Only\) Electrical Specifications Over Recommended Operating Conditions](#)). [Figure 5-2](#) shows the connection. For more information regarding the recommended values of the external components, see [Section 5.4, Electrical Specifications Over Recommended Operating Conditions](#).

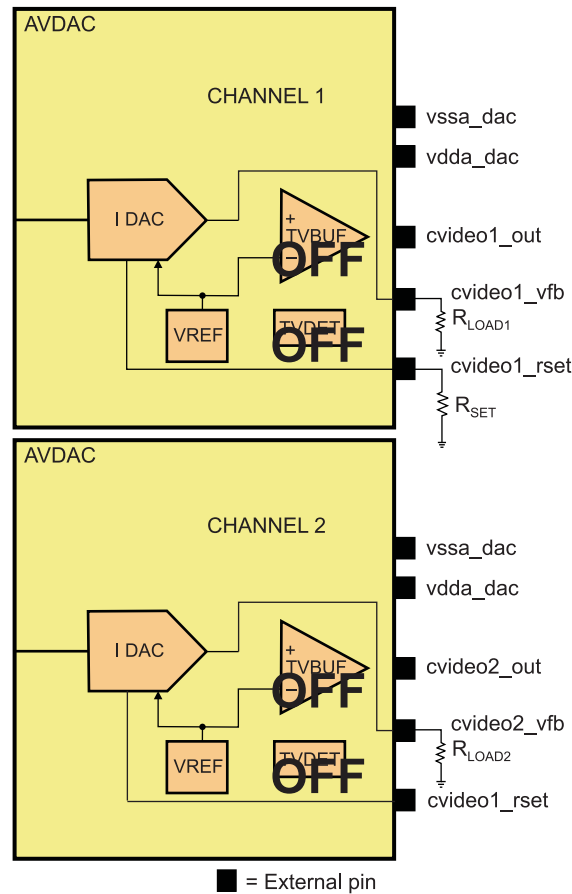


**Figure 5-2. Recommended Loading Conditions for TVOUT Bypass Mode(1)**

(1) In single-channel configuration only channel-1 is used.

### 5.3 TVOUT Bypass Mode in Dual-Channel Configuration

In this case, TVOUT bypass input is high and the TVOUT buffer is bypassed (for more information, see [Section 5.5, TVOUT Bypass Mode Specifications \(DAC-Only\) Electrical Specifications Over Recommended Operating Conditions](#)). [Figure 5-3](#) shows the connection. For more information regarding the recommended values of the external components, see [Section 5.4, Electrical Specifications Over Recommended Operating Conditions](#).



**Figure 5-3. Recommended Loading Conditions for TVOUT Bypass Mode in Dual-Channel Configuration(1)**

(1) Here are some connections recommendations:

- An external resistor  $R_{SET} = 10\text{ k}\Omega (\pm 1\%)$  is recommended to be connected to the cvideo1\_rset signal of Channel 1.
- The cvideo1\_rset signal of Channel 2 is left unconnected.
- External resistors  $R_{LOAD1/LOAD2} = 1.5\text{ k}\Omega (\pm 1\%)$  is recommended to be connected to cvideo1\_vfb or cvideo2\_vfb each channel.

## 5.4 Electrical Specifications Over Recommended Operating Conditions

### NOTE

High-swing mode is the default mode. The low-swing mode is not compliant with the NTSC and PAL video-standards. It shall be used only for backwards compatibility to AM/DM37x.

- TVOUT DC High Swing Mode:
  - $R_{OUT1/2} = 2.7 \text{ k}\Omega (\pm 1\%)$
  - $R_{SET} = 4.7 \text{ k}\Omega (\pm 1\%)$
  - $R_{LOAD} = 75 \text{ }\Omega (\pm 5\%)$
  - $Z_{CABLE} = 75 \text{ }\Omega (\pm 5\%)$
- TVOUT DC Low Swing Mode:
  - $R_{OUT1/2} = 2.7 \text{ k}\Omega (\pm 1\%)$
  - $R_{SET} = 6.8 \text{ k}\Omega (\pm 1\%)$
  - $R_{LOAD} = 75 \text{ }\Omega (\pm 5\%)$
  - $Z_{CABLE} = 75 \text{ }\Omega (\pm 5\%)$
- TVOUT AC High Swing Mode:
  - $R_{OUT1/2} = 2.7 \text{ k}\Omega (\pm 1\%)$
  - $R_{SET} = 4.7 \text{ k}\Omega (\pm 1\%)$
  - $R_{LOAD} = 75 \text{ }\Omega (\pm 5\%)$
  - $Z_{CABLE} = 75 \text{ }\Omega (\pm 5\%)$
  - $C_{AC} = 220 \text{ }\mu\text{F} (\pm 5\%)$
- TVOUT AC Low Swing Mode:
  - $R_{OUT1/2} = 2.7 \text{ k}\Omega (\pm 1\%)$
  - $R_{SET} = 6.8 \text{ k}\Omega (\pm 1\%)$
  - $R_{LOAD} = 75 \text{ }\Omega (\pm 5\%)$
  - $Z_{CABLE} = 75 \text{ }\Omega (\pm 5\%)$
  - $C_{AC} = 220 \text{ }\mu\text{F} (\pm 5\%)$

**Table 5-1. DAC – Static Electrical Specifications<sup>(8)</sup>**

PARAMETER		CONDITIONS/ASSUMPTIONS	MIN	TYP	MAX	UNIT	
R	Resolution			10		Bits	
<b>DC ACCURACY</b>							
INL <sup>(1)</sup>	Integral Non-Linearity (INL)	50 to 111 input code range	–6		6	LSB	
	Integral Non-Linearity (INL) Signal video range	111 to 895 input code range	–4		4		
	Integral Non-Linearity (INL) Synchronization pulse	783 to 1007 input code range	–5		5		
DNL <sup>(2)</sup>	Differential nonlinearity	111 to 895 input code range	–2.5		2.5	LSB	
<b>ANALOG OUTPUT</b>							
-	Output voltage	0 to 1023 input code range, $R_{LOAD} = 75 \text{ }\Omega$	Low-swing mode	0.70	0.88	1.00	V
			High-swing mode	1.2	1.3	1.5	
-	Gain error	-	Low-swing mode	–20		20	% FS
			High-swing mode	–10		10	
$R_{VOUT}$	Output impedance		67.5	75.0	82.5	$\Omega$	
<b>REFERENCE</b>							
$V_{REF}$	Internal Band Gap Voltage Reference			0.55		V	

**Table 5-1. DAC – Static Electrical Specifications<sup>(8)</sup> (continued)**

PARAMETER		CONDITIONS/ASSUMPTIONS	MIN	TYP	MAX	UNIT		
<b>POWER CONSUMPTION</b>								
$I_{vdda-up}$	Analog Supply Current <sup>(4)</sup>	DC mode No load	Average current on vdda_dac, no load, 2 channels Input code 50 (maximum output voltage)		4.5	6.5	8.5	mA
		AC mode No load			19	28	37	
		Full load 75-Ω load			19	28	37	
$I_{vdda-up}$ (peak)	Peak analog supply current	Lasts less than 1 ns		60			mA	
$I_{vdd-up}$	Digital supply current <sup>(5)</sup>	Average current, measured at $f_{CLK} = 54$ MHz, $f_{OUT} = 2$ MHz sine wave, vdd = 1.1 V			2		mA	
$I_{vdd-up}$ (peak)	Peak digital supply current <sup>(6)</sup>	Peak current, full-scale transition lasting less than 1 ns		8			mA	
$I_{vdda-down}$ <sup>(9)</sup>	Analog supply current, total power down <sup>(9)</sup>	T = 30°C, vdda_dac = 1.8 V, no load			12		μA	
$I_{vdda-stdby}$ <sup>(9)</sup>	Analog supply current, standby mode <sup>(9)</sup>	Bandgap and internal LDO are ON, all other analog blocks are OFF, no load, T = 30 C°	90	180	270		μA	
$I_{vdd-down(pm)}$ <sup>(9)</sup>	Digital supply current, total power down <sup>(9)</sup>	T = 30°C, Full or Partial Power Management	Low-swing mode		2		μA	
			High-swing mode		6			
$I_{vdd-down(nopm)}$	Digital supply current, total power down (no power management)	T = 30°C, VDD = 1.1 V, no Power Management			60		μA	

- (1) The INL is measured at the output of the DAC (accessible at an external pin during bypass mode). The INL at code 783 equals 0.
- (2) The DNL is measured at the output of the DAC (accessible at an external pin during bypass mode). The INL at code 783 equals 0.
- (3) Reference PSR measures the effect of a supply disturbance at cvideo1\_out and cvideo2\_out.
- (4) The analog supply current  $I_{vdda}$  is directly proportional to the full-scale output current IFS and is insensitive to  $f_{CLK}$ .
- (5) The digital supply current  $I_{VDD}$  is dependent on the digital input waveform, the DAC update rate  $f_{CLK}$ , and the digital supply VDD.
- (6) The peak digital supply current occurs at full-scale transition for duration less than 1 ns.
- (7) See [Section 5.6, Analog Supply \(vdda\\_dac\) Noise Requirements](#), for actual maximum ripple allowed on vdda\_dac.
- (8) For more information on code range definition, see [Figure 5-4](#).
- (9) For more information on AVDAC power-up, power-down, and standby mode configurations, see Display Subsystem / Display Subsystem Functional Description / Video Encoder Functionalities / Video DAC Stage Power Management section of *AM/DM37x Technical Reference Manual* (literature number [SPRUGN4](#)).

#### NOTE

High-swing mode is the default mode. The low-swing mode is not compliant with the NTSC and PAL video-standards. It is used only for backwards compatibility to AM/DM37x.

**Table 5-2. Video DAC – Dynamic Electrical Specifications<sup>(6)</sup>**

PARAMETER	CONDITIONS/ASSUMPTIONS		MIN	TYP	MAX	UNIT	
f <sub>CLK</sub> <sup>(1)</sup>	Output update rate	Equal to input clock frequency		54	60	MHz	
	Clock jitter	RMS clock jitter required in order to assure 10-bit accuracy		40	70	ps	
	Attenuation at 5.1 MHz	Corner frequency for signal	DC mode AC mode		1.5	dB	
BW	Signal bandwidth	3 dB	DC mode	6		MHz	
			AC mode				
	Differential gain <sup>(2)</sup>	111 to 895 input code range	DC mode	-5%	5%		
			AC mode	-5%	5%		
Differential phase <sup>(2)</sup>	111 to 895 input code range	DC mode	-3°	3°			
		AC mode	-3°	3°			
SFDR	Within bandwidth 1 kHz to 6 MHz	f <sub>CLK</sub> = 54 MHz, f <sub>OUT</sub> = 1 MHz, sine wave input, 111 to 895 input code range	DC mode	40	50	70	dB
			AC mode				
SNR	Within bandwidth 1 kHz to 6 MHz	f <sub>CLK</sub> = 54 MHz, f <sub>OUT</sub> = 1 MHz, sine wave input, 256 to 768 input code range	DC mode	50	54	75	dB
			AC mode				
PSR <sup>(4)</sup>	Power supply rejection (up to 6 MHz)	100 mVpp at 6 MHz, input code 895		6 <sup>(4)</sup>		dB	
Crosstalk	Between the two video channels			-50	-40	dB	
C <sub>Load</sub>	TVOUT (cvideo_out1 and cvideo_out2) stability, TVOUT decoupling capacity	Total decoupling capacity from cvideo_out1 or cvideo_out2 to ground, C <sub>Load1</sub>			300	pF	
C <sub>TOT</sub>	TVOUT stability, total TVOUT decoupling capacity	Total decoupling capacity: C <sub>TOT</sub> = C <sub>Load1</sub> + C <sub>Load2</sub>			600	pF	

(1) For internal input clock information, see the DSS chapter of *AM/DM37x Technical Reference Manual* (literature number [SPRUGN4](#)).

(2) The differential gain and phase value is for dc coupling. Note that there is degradation for the ac coupling. The Differential Gain and Phase are measured with respect to the gain and phase of the burst signal (-20 to 20 IRE)

(3) The SNR value is for dc coupling.

(4) PSR measures the effect of a supply disturbance at cvideo1\_out and cvideo2\_out.

(5) The flat band measurement is done at 500 kHz for characterizing the attenuation at 5.1 MHz.

(6) For more information on code range definition, see [Figure 5-4](#).



Figure 5-4 describes the composite video signal levels.

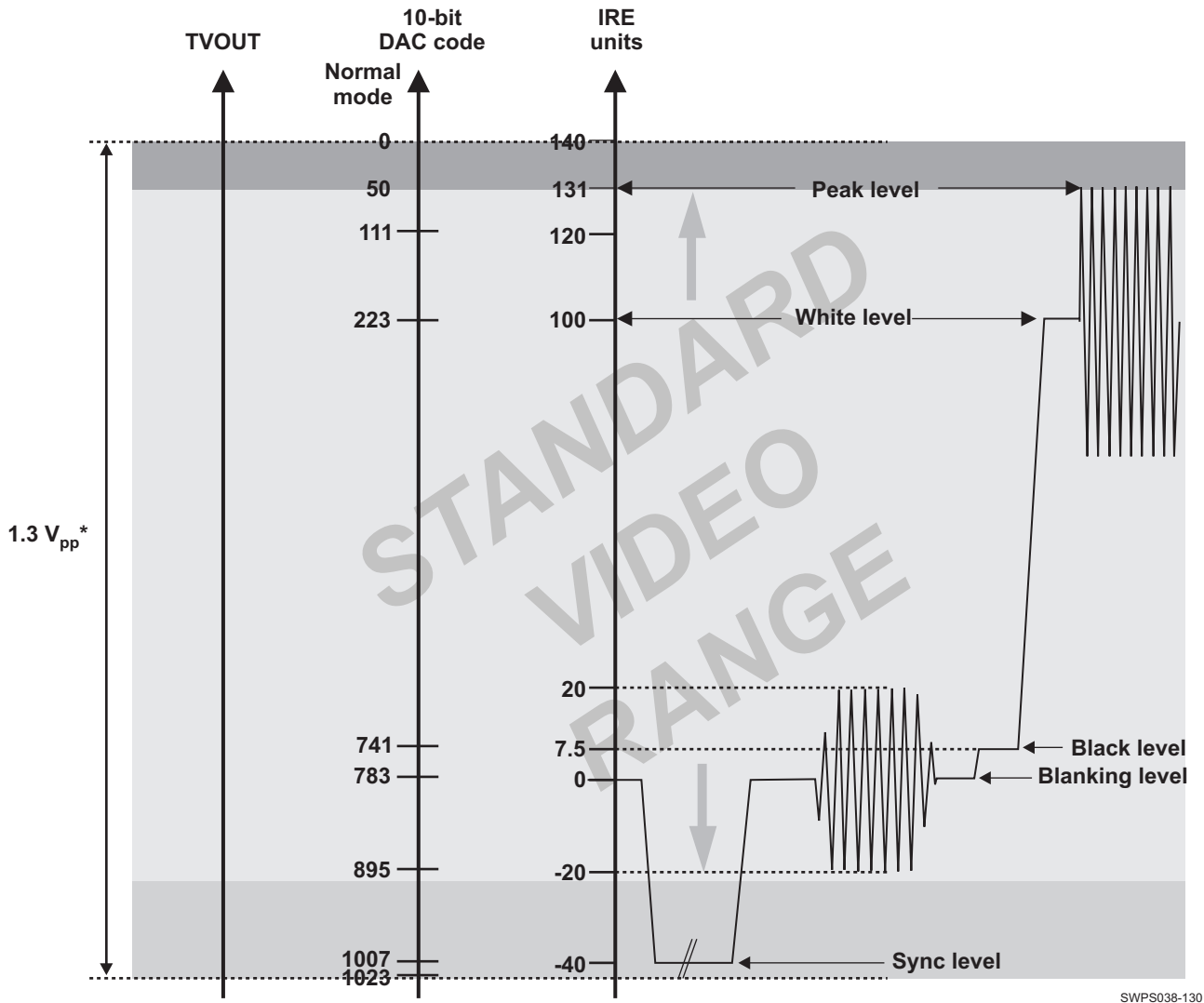


Figure 5-4. Composite Video Signal Levels(1)(2)

- (1) The 1.3 V<sub>pp</sub> (peak-to-peak) is referring to the output signal at cvideo1\_out in the DAC + Buffer composite-video mode. Note that the 1.3 V<sub>pp</sub> must apply to both cvideo1\_out and cvideo2\_out in DAC + Buffer s-video mode (dual-DAC mode configured for ac or dc coupling).
- (2) In AVDAC normal mode (DAC + Buffer), higher values of the DAC input code provided by the Video Encoder will result in lower output voltage due to the inverting configuration of the TVOUT Buffer. See Figure 5-4 for more details on the relation between the composite video signal levels and the DAC code values for normal mode of operation. In AVDAC bypass mode (DAC only), higher values of the DAC input code will result in higher output voltage, as the TVOUTBuffer path is bypassed.

## 5.5 TVOUT Bypass Mode Specifications (DAC-Only) Electrical Specifications Over Recommended Operating Conditions

### NOTE

The electrical characteristics for single- and dual-channel bypass modes are the same except that the active current will double in the dual-channel configuration.

- Bypass Mode
  - $R_{LOAD} = 1.5\text{ k}\Omega (\pm 1\%)$
  - $R_{SET} = 10\text{ k}\Omega (\pm 1\%)$

**Table 5-3. DAC—Static Electrical Specifications—Bypass Mode<sup>(2)</sup>**

PARAMETER		CONDITIONS/ASSUMPTIONS	MIN	TYP	MAX	UNIT
R	Resolution			10		Bits
<b>DC ACCURACY</b>						
INL <sup>(1)</sup>	Integral nonlinearity (INL)	37 to 954 input code range, $R_{LOAD} = 1.5\text{ k}\Omega$	–1		1	LSB
DNL <sup>(1)</sup>	Differential nonlinearity	37 to 954 input code range, $R_{LOAD} = 1.5\text{ k}\Omega$	–1		1	LSB
<b>ANALOG OUTPUT</b>						
-	Output voltage	$R_{LOAD} = 1.5\text{ k}\Omega$	0.6	0.7	0.77	V
-	Output current	$R_{LOAD} = 1.5\text{ k}\Omega$	0.6	0.7	0.77	V
-	Gain error	-	–10		10	% FS
<b>POWER CONSUMPTION</b>						
$I_{vdda-up}$	Analog supply current	Average current on $vdda\_dac$ , $R_{LOAD} = 1.5\text{ k}\Omega$ Input code 1023	0.7	1.0	1.4	mA
$I_{vdda-down}$	Analog supply current, total power down	$T = 30\text{C}^\circ$ , $vdda\_dac = 1.8\text{ V}$ , no load			12	$\mu\text{A}$
$I_{vdda-stdby}$	Analog supply current, standby mode	Bandgap and internal LDO are ON, all other analog blocks are OFF, no load, $T = 30\text{C}^\circ$	90	180	270	$\mu\text{A}$

(1) In bypass mode, output node is `cvideo1_out` and `cvideo2_out` nodes. For more information, see [Section 5.2, TVOUT Bypass Mode \(DAC Only\)](#) or [Section 5.3, TVOUT Bypass Mode in Dual-Channel Configuration](#).

(2) For more information on code range definition, see [Figure 5-4](#).

**Table 5-4. Video DAC—Dynamic Electrical Specifications—Bypass Mode**

PARAMETER		CONDITIONS/ASSUMPTIONS	MIN	TYP	MAX	UNIT
$f_{CLK}$	Output update rate	Equal to input clock frequency		54	60	MHz
	Clock jitter	RMS clock jitter required in order to assure 10-bit accuracy		40	70	ps
BW	Signal bandwidth	3dB		6		MHz
SFDR	Within bandwidth 1 kHz to 6 MHz	$f_{CLK} = 54\text{ MHz}$ , $f_{OUT} = 1\text{ MHz}$ , sine wave input, 111 to 895 input code range	40	50	70	dB
SNR	Within bandwidth 1 kHz to 6 MHz	$f_{CLK} = 54\text{ MHz}$ , $f_{OUT} = 1\text{ MHz}$ , sine wave input, 256 to 768 input code range	50	54	75	dB
PSR	Power supply rejection (up to 6 MHz)	100 mVpp at 6 MHz, input code 895		6 <sup>(1)</sup>		dB

(1) For more information on code range definition, see [Figure 5-4](#).

## 5.6 Analog Supply ( $vdda\_dac$ ) Noise Requirements

In order to assure 10-bit accuracy of the DAC analog output, the analog supply  $vdda\_dac$  has to meet the noise requirements stated in this section.

The DAC Power Supply Rejection Ratio (PSRR) is defined as the relative variation of the full-scale output current divided by the supply variation. Thus, it is expressed in percentage of Full-Scale Range (FSR) per volt of supply variation as shown in the following equation:

$$PSRR_{DAC} = \frac{100 \cdot \frac{\Delta I_{OUT}}{I_{OUTFS}}}{V_{AC}} \left[ \frac{\% FSR}{V} \right]$$

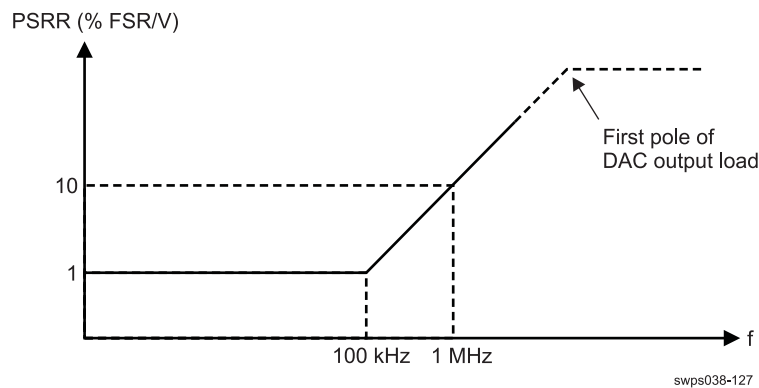
swps038-e001

Depending on frequency, the PSRR is defined in [Table 5-5](#).

**Table 5-5. Video DAC – Power Supply Rejection Ratio**

Supply Noise Frequency	PSRR % FSR/V
0 to 100 kHz	1
> 100 kHz	The rejection decreases 20 dB/dec. Example: at 1 MHz the PSRR is 10% of FSR/V.

A graphic representation is shown in [Figure 5-5](#).



**Figure 5-5. Video DAC – Power Supply Rejection Ratio**

To ensure that the DAC SFDR specification is met, the PSRR values and the clock jitter requirements translate to the following limits on vdda\_dac (for the Video DAC).

The maximum peak-to-peak noise on vdda (ripple) is defined in [Table 5-6](#).

**Table 5-6. Video DAC – Maximum Peak-to-Peak Noise on vdda\_dac**

Tone Frequency	Maximum Peak-to-Peak Noise on vdda_dac
0 to 100 kHz	< 30 mV <sub>PP</sub>
> 100 kHz	Decreases 20 dB/dec. Example: at 1 MHz the maximum is 3 mV <sub>PP</sub>

The maximum noise spectral density (white noise) is defined in [Table 5-7](#).

**Table 5-7. Video DAC – Maximum Noise Spectral Density**

Supply Noise Bandwidth	Maximum Supply Noise Density
0 to 100 kHz	< 20 μV / √Hz
> 100 kHz	Decreases 20 dB/dec. Example: at 1 MHz the maximum noise density is 2 μV / √Hz

Because the DAC PSRR deteriorates at a rate of 20 dB/dec after 100 kHz, it is highly recommended to have vdda\_dac low pass filtered (proper decoupling) (see the illustrated application: [Section 5.7, External Component Value Choice](#)).

## 5.7 External Component Value Choice

The output current  $I_{DACOUT}$  appearing at the output of the 10-bit DAC is a function of both the input code DAC\_CODE (ranging from 0 to 1023) and  $I_{DACMAX}$  and can be expressed as:

$$I_{DACOUT} = I_{REF} * (DAC\_CODE / 120) \quad (1)$$

The maximum output current  $I_{DACMAX}$  from the DAC is given by:

$$I_{DACMAX} = I_{REF} * 1023 / 120 \quad (2)$$

The reference current,  $I_{REF}$ , is set by a combination of internal and external resistors in series,  $R_{REF}$ , and an internal reference voltage,  $V_{REF}$ , and is given by:

$$I_{REF} = V_{REF} / R_{REF} \quad (3)$$

Typically,  $V_{REF} = 0.55$  V and  $R_{REF} = 9.4$  k $\Omega$  in TVOUT High-Swing mode.

The video signal voltage at `cvideo_out1` and `cvideo_out2` nodes can be written as (excluding the offset voltage):

$$V_{TVOUT} = 35 * R_{LOAD} * I_{DACMAX} * (1 - DAC\_CODE / 1023) \quad (4)$$

Figure 5-6 shows the `cvideo_out1` and `cvideo_out2` transfer function. Regarding the typical composite video signal levels versus the DAC input code, for more information on code range definition, see Figure 5-4.

Regarding the typical values of the typical values for  $R_{out1/2}$  and  $R_{set}$  resistors, as well for  $C_{out}$  capacitor, for different modes of the TV display interface, see the Display Subsystem / Display Subsystem Environment / TV Display Support section of *AM/DM37x Technical Reference Manual* (literature number [SPRUGN4](#)).

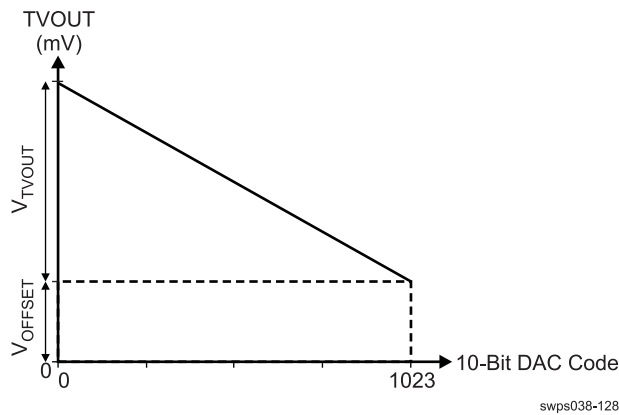


Figure 5-6. `cvideo_out1` and `cvideo_ou2` Transfer Function

### NOTE

The dc levels ( $V_{offset}$ ) will be shifted due to process variations.

## 6 Timing Requirements and Switching Characteristics

### 6.1 Timing Test Conditions

All timing requirements and switching characteristics are valid over the recommended operating conditions unless otherwise specified.

### 6.2 Interface Clock Specifications

#### 6.2.1 Interface Clock Terminology

The interface clock is used at the system level to sequence the data and/or to control transfers accordingly with the interface protocol.

#### 6.2.2 Interface Clock Frequency

The two interface clock characteristics are:

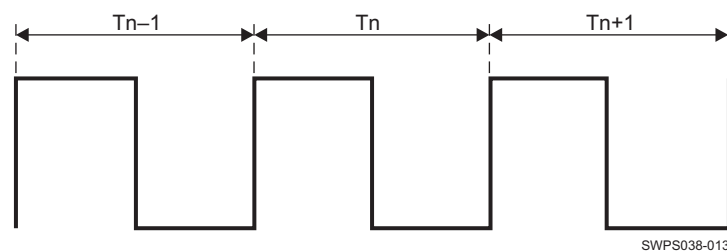
- The maximum clock frequency
- The maximum operating frequency

The interface clock frequency documented in this document is the maximum clock frequency, which corresponds to the maximum frequency programmable on this output clock. This frequency defines the maximum limit supported by the device IC and doesn't take into account any system consideration (PCB, Peripherals).

The system designer will have to consider these system considerations and the device IC timing characteristics as well, to define properly the maximum operating frequency, which corresponds to the maximum frequency supported to transfer the data on this interface.

#### 6.2.3 Clock Jitter Specifications

Jitter is a phase noise, which may alter different characteristics of a clock signal. The jitter specified in this document is the time difference between the typical cycle period and the actual cycle period affected by noise sources on the clock. The cycle (or period) jitter terminology will be used to identify this type of jitter.



**Figure 6-1. Cycle (or Period) Jitter**

#### NOTE

Max. Cycle Jitter = Max (Ti)

Min. Cycle Jitter = Min (Ti)

Jitter Standard Deviation (or RMS Jitter) = Standard Deviation (Ti)

#### 6.2.4 Clock Duty Cycle Error

The maximum duty cycle error is the difference between the absolute value of the maximum high-level pulse duration or the maximum low-level pulse duration and the typical pulse duration value.

- Maximum pulse duration = Typical pulse duration + maximum duty cycle error
- Minimum pulse duration = Typical pulse duration - maximum duty cycle error

### 6.3 Timing Parameters

The timing parameter symbols used in the timing requirements and switching characteristics tables are created in accordance with JEDEC Standard 100. To shorten the symbols, some of pin names and other related terminologies have been abbreviated as follows:

**Table 6-1. Timing Parameters**

SUBSCRIPTS	
SYMBOL	PARAMETER
c	Cycle time (period)
d	Delay time
dis	Disable time
en	Enable time
h	Hold time
su	Setup time
START	Start bit
t	Transition time
v	Valid time
w	Pulse duration (width)
X	Unknown, changing, or don't care level
F	Fall time
H	High
L	Low
R	Rise time
V	Valid
IV	Invalid
AE	Active edge
FE	First edge
LE	Last edge
Z	High impedance

## 6.4 External Memory Interfaces

The device includes the following external memory interfaces:

- General-purpose memory controller (GPMC)
- SDRAM controller (SDRC)

### 6.4.1 General-Purpose Memory Controller (GPMC)

#### NOTE

For more information, see Memory Subsystem / General-Purpose Memory Controller section of the *AM/DM37x Multimedia Device Technical Reference Manual* (literature number [SPRUGN4](#)).

The GPMC is the unified memory controller used to interface external memory devices such as:

- Asynchronous SRAM-like memories and ASIC devices
- Asynchronous page mode and synchronous burst NOR flash
- NAND flash

#### 6.4.1.1 GPMC/NOR Flash—Synchronous Mode

Table 6-3 and Table 6-4 assume testing over the recommended operating conditions and electrical characteristic conditions below (see Figure 6-2 through Figure 6-6).

**Table 6-2. GPMC/NOR Flash Timing Conditions—Synchronous Mode**

TIMING CONDITION PARAMETER		VALUE	UNIT
<b>Input Conditions</b>			
$t_R$	Input signal rise time	1.8	ns
$t_F$	Input signal fall time	1.8	ns
<b>Output Conditions</b>			
$C_{LOAD}$	Output load capacitance <sup>(1)</sup>	12	pF

(1) The load setting of the IO buffer: LB0 = 1.

**Table 6-3. GPMC/NOR Flash Timing Requirements—Synchronous Mode<sup>(1)</sup>**

NO.	PARAMETER		OPP100		OPP50		UNIT
			MIN	MAX	MIN	MAX	
F12	$t_{su(dV-clkH)}$	Setup time, input data gpmc_d[15:0] valid before output clock gpmc_clk high	2.3		2.3		ns
F13	$t_{h(clkH-dV)}$	Hold time, input data gpmc_d[15:0] valid after output clock gpmc_clk high	1.5		1.5		ns
F21	$t_{su(waitV-clkH)}$	Setup time, input wait gpmc_waitx <sup>(2)</sup> valid before output clock gpmc_clk high	2.3		2.3		ns
F22	$t_{h(clkH-waitV)}$	Hold time, input wait gpmc_waitx <sup>(2)</sup> valid after output clock gpmc_clk high	1.9		1.9		ns

(1) See Section 4.3.4, *Processor Clocks*.

(2) In gpmc\_waitx, x is equal to 0, 1, 2, or 3.

**Table 6-4. GPMC/NOR Flash Switching Characteristics—Synchronous Mode<sup>(2)</sup> (18)**

NO.	PARAMETER		OPP100		OPP50		UNIT
			MIN	MAX	MIN	MAX	
F0	$1 / t_{c(clk)}$	Frequency <sup>(15)</sup> , output clock gpmc_clk		100		100	MHz
F1	$t_{w(clkH)}$	Typical pulse duration, output clock gpmc_clk high	0.5P <sup>(12)</sup>		0.5P <sup>(12)</sup>		ns
F1	$t_{w(clkL)}$	Typical pulse duration, output clock gpmc_clk low	0.5P <sup>(12)</sup>		0.5P <sup>(12)</sup>		ns



**Table 6-4. GPMC/NOR Flash Switching Characteristics—Synchronous Mode<sup>(2)</sup> (18) (continued)**

NO.	PARAMETER		OPP100		OPP50		UNIT
			MIN	MAX	MIN	MAX	
	$t_{dc}(clk)$	Duty cycle error, output clock gpmc_clk	-500	500	-500	500	ps
	$t_{j}(clk)$	Jitter standard deviation <sup>(16)</sup> , output clock gpmc_clk		33.33		33.33	ps
	$t_{R}(clk)$	Rise time, output clock gpmc_clk		1.6		1.6	ns
	$t_{F}(clk)$	Fall time, output clock gpmc_clk		1.6		1.6	ns
	$t_{R}(do)$	Rise time, output data gpmc_d[15:0]		2		2	ns
	$t_{F}(do)$	Fall time, output data gpmc_d[15:0]		2		2	ns
F2	$t_{d}(clkH-ncsv)$	Delay time, output clock gpmc_clk rising edge to output chip select gpmc_ncsx <sup>(11)</sup> transition	F <sup>(6)</sup> - 1.9	F <sup>(6)</sup> + 3.3	F <sup>(6)</sup> - 1.9	F <sup>(6)</sup> + 3.3	ns
F3	$t_{d}(clkH-ncslv)$	Delay time, output clock gpmc_clk rising edge to output chip select gpmc_ncsx <sup>(11)</sup> invalid	E <sup>(5)</sup> - 1.9	E <sup>(5)</sup> + 3.3	E <sup>(5)</sup> - 1.9	E <sup>(5)</sup> + 3.3	ns
F4	$t_{d}(aV-clk)$	Delay time, output address gpmc_a[27:1] valid to output clock gpmc_clk first edge	B <sup>(2)</sup> - 4.1	B <sup>(2)</sup> + 2.1	B <sup>(2)</sup> - 4.1	B <sup>(2)</sup> + 2.1	ns
F5	$t_{d}(clkH-aIV)$	Delay time, output clock gpmc_clk rising edge to output address gpmc_a[27:1] invalid	-2.1		-2.1		ns
F6	$t_{d}(nbeV-clk)$	Delay time, output lower byte enable/command latch enable gpmc_nbe0_cle, output upper byte enable gpmc_nbe1 valid to output clock gpmc_clk first edge	B <sup>(2)</sup> - 1.2	B <sup>(2)</sup> + 2.2	B <sup>(2)</sup> - 1.2	B <sup>(2)</sup> + 2.2	ns
F7	$t_{d}(clkH-nbeIV)$	Delay time, output clock gpmc_clk rising edge to output lower byte enable/command latch enable gpmc_nbe0_cle, output upper byte enable gpmc_nbe1 invalid	D <sup>(4)</sup> - 2.2	D <sup>(4)</sup> + 1.2	D <sup>(4)</sup> - 2.2	D <sup>(4)</sup> + 1.2	ns
F8	$t_{d}(clkH-nadv)$	Delay time, output clock gpmc_clk rising edge to output address valid/address latch enable gpmc_nadv_ale transition	G <sup>(7)</sup> + 0.8	G <sup>(7)</sup> + 2.2	G <sup>(7)</sup> + 0.8	G <sup>(7)</sup> + 2.2	ns
F9	$t_{d}(clkH-nadvIV)$	Delay time, output clock gpmc_clk rising edge to output address valid/address latch enable gpmc_nadv_ale invalid	D <sup>(4)</sup> - 1.9	D <sup>(4)</sup> + 4.1	D <sup>(4)</sup> - 1.9	D <sup>(4)</sup> + 4.1	ns
F10	$t_{d}(clkH-noe)$	Delay time, output clock gpmc_clk rising edge to output enable gpmc_noe transition	H <sup>(8)</sup> - 2.1	H <sup>(8)</sup> + 2.1	H <sup>(8)</sup> - 2.1	H <sup>(8)</sup> + 2.1	ns
F11	$t_{d}(clkH-noeIV)$	Delay time, output clock gpmc_clk rising edge to output enable gpmc_noe invalid	E <sup>(5)</sup> - 2.1	E <sup>(5)</sup> + 2.1	E <sup>(5)</sup> - 2.1	E <sup>(5)</sup> + 2.1	ns
F14	$t_{d}(clkH-nwe)$	Delay time, output clock gpmc_clk rising edge to output write enable gpmc_nwe transition	I <sup>(9)</sup> - 1.9	I <sup>(9)</sup> + 4.1	I <sup>(9)</sup> - 1.9	I <sup>(9)</sup> + 4.1	ns
F15	$t_{d}(clkH-do)$	Delay time, output clock gpmc_clk rising edge to output data gpmc_d[15:0] transition	J <sup>(10)</sup> - 1.7	J <sup>(10)</sup> + 1.2	J <sup>(10)</sup> - 1.7	J <sup>(10)</sup> + 1.2	ns
F17	$t_{d}(clkH-nbe)$	Delay time, output clock gpmc_clk rising edge to output lower byte enable/command latch enable gpmc_nbe0_cle transition	J <sup>(10)</sup> - 2.2	J <sup>(10)</sup> + 1.2	J <sup>(10)</sup> - 2.2	J <sup>(10)</sup> + 1.2	ns
F18	$t_{w}(ncsv)$	Pulse duration, output chip select gpmc_ncsx <sup>(11)</sup> low	Read	A <sup>(1)</sup>		A <sup>(1)</sup>	ns
			Write	A <sup>(1)</sup>		A <sup>(1)</sup>	ns
F19	$t_{w}(nbeV)$	Pulse duration, output lower byte enable/command latch enable gpmc_nbe0_cle, output upper byte enable gpmc_nbe1 low	Read	C <sup>(3)</sup>		C <sup>(3)</sup>	ns
			Write	C <sup>(3)</sup>		C <sup>(3)</sup>	ns
F20	$t_{w}(nadvV)$	Pulse duration, output address valid/address latch enable gpmc_nadv_ale low	Read	K <sup>(13)</sup>		K <sup>(13)</sup>	ns
			Write	K <sup>(13)</sup>		K <sup>(13)</sup>	ns
F23	$t_{d}(clkH-iodir)$	Delay time, output clock gpmc_clk rising edge to output IO direction control gpmc_io_dir high (IN direction)	H <sup>(8)</sup> - 2.1	H <sup>(8)</sup> + 4.1	H <sup>(8)</sup> - 2.1	H <sup>(8)</sup> + 4.1	ns
F24	$t_{d}(clkH-iodirIV)$	Delay time, output clock gpmc_clk rising edge to output IO direction control gpmc_io_dir low (OUT direction)	M <sup>(17)</sup> - 2.1	M <sup>(17)</sup> + 4.1	M <sup>(17)</sup> - 2.1	M <sup>(17)</sup> + 4.1	ns

- (1) For single read:  $A = (\text{CSRdOffTime} - \text{CSOnTime}) * (\text{TimeParaGranularity} + 1) * \text{GPMC\_FCLK}^{(14)}$   
 For burst read:  $A = (\text{CSRdOffTime} - \text{CSOnTime} + (n - 1) * \text{PageBurstAccessTime}) * (\text{TimeParaGranularity} + 1) * \text{GPMC\_FCLK}^{(14)}$   
 For burst write:  $A = (\text{CSWrOffTime} - \text{CSOnTime} + (n - 1) * \text{PageBurstAccessTime}) * (\text{TimeParaGranularity} + 1) * \text{GPMC\_FCLK}^{(14)}$   
 With n being the page burst access number.
- (2)  $B = \text{ClkActivationTime} * \text{GPMC\_FCLK}^{(14)}$
- (3) For single read:  $C = \text{RdCycleTime} * (\text{TimeParaGranularity} + 1) * \text{GPMC\_FCLK}^{(14)}$   
 For burst read:  $C = (\text{RdCycleTime} + (n - 1) * \text{PageBurstAccessTime}) * (\text{TimeParaGranularity} + 1) * \text{GPMC\_FCLK}^{(14)}$   
 For burst write:  $C = (\text{WrCycleTime} + (n - 1) * \text{PageBurstAccessTime}) * (\text{TimeParaGranularity} + 1) * \text{GPMC\_FCLK}^{(14)}$   
 With n being the page burst access number.
- (4) For single read:  $D = (\text{RdCycleTime} - \text{AccessTime}) * (\text{TimeParaGranularity} + 1) * \text{GPMC\_FCLK}^{(14)}$   
 For burst read:  $D = (\text{RdCycleTime} - \text{AccessTime}) * (\text{TimeParaGranularity} + 1) * \text{GPMC\_FCLK}^{(14)}$   
 For burst write:  $D = (\text{WrCycleTime} - \text{AccessTime}) * (\text{TimeParaGranularity} + 1) * \text{GPMC\_FCLK}^{(14)}$
- (5) For single read:  $E = (\text{CSRdOffTime} - \text{AccessTime}) * (\text{TimeParaGranularity} + 1) * \text{GPMC\_FCLK}^{(14)}$   
 For burst read:  $E = (\text{CSRdOffTime} - \text{AccessTime}) * (\text{TimeParaGranularity} + 1) * \text{GPMC\_FCLK}^{(14)}$   
 For burst write:  $E = (\text{CSWrOffTime} - \text{AccessTime}) * (\text{TimeParaGranularity} + 1) * \text{GPMC\_FCLK}^{(14)}$
- (6) For nCS falling edge (CS activated):
- Case GpmcFCLKDivider = 0:
    - $F = 0.5 * \text{CSExtraDelay} * \text{GPMC\_FCLK}^{(14)}$
  - Case GpmcFCLKDivider = 1:
    - $F = 0.5 * \text{CSExtraDelay} * \text{GPMC\_FCLK}^{(14)}$  if (ClkActivationTime and CSOnTime are odd) or (ClkActivationTime and CSOnTime are even)
    - $F = (1 + 0.5 * \text{CSExtraDelay}) * \text{GPMC\_FCLK}^{(14)}$  otherwise
  - Case GpmcFCLKDivider = 2:
    - $F = 0.5 * \text{CSExtraDelay} * \text{GPMC\_FCLK}^{(14)}$  if ((CSOnTime – ClkActivationTime) is a multiple of 3)
    - $F = (1 + 0.5 * \text{CSExtraDelay}) * \text{GPMC\_FCLK}^{(14)}$  if ((CSOnTime – ClkActivationTime – 1) is a multiple of 3)
    - $F = (2 + 0.5 * \text{CSExtraDelay}) * \text{GPMC\_FCLK}^{(14)}$  if ((CSOnTime – ClkActivationTime – 2) is a multiple of 3)
- (7) For ADV falling edge (ADV activated):
- Case GpmcFCLKDivider = 0:
    - $G = 0.5 * \text{ADVExtraDelay} * \text{GPMC\_FCLK}^{(14)}$
  - Case GpmcFCLKDivider = 1:
    - $G = 0.5 * \text{ADVExtraDelay} * \text{GPMC\_FCLK}^{(14)}$  if (ClkActivationTime and ADVOnTime are odd) or (ClkActivationTime and ADVOnTime are even)
    - $G = (1 + 0.5 * \text{ADVExtraDelay}) * \text{GPMC\_FCLK}^{(14)}$  otherwise
  - Case GpmcFCLKDivider = 2:
    - $G = 0.5 * \text{ADVExtraDelay} * \text{GPMC\_FCLK}^{(14)}$  if ((ADVOnTime – ClkActivationTime) is a multiple of 3)
    - $G = (1 + 0.5 * \text{ADVExtraDelay}) * \text{GPMC\_FCLK}^{(14)}$  if ((ADVOnTime – ClkActivationTime – 1) is a multiple of 3)
    - $G = (2 + 0.5 * \text{ADVExtraDelay}) * \text{GPMC\_FCLK}^{(14)}$  if ((ADVOnTime – ClkActivationTime – 2) is a multiple of 3)
- For ADV rising edge (ADV deactivated) in Reading mode:
- Case GpmcFCLKDivider = 0:
    - $G = 0.5 * \text{ADVExtraDelay} * \text{GPMC\_FCLK}^{(14)}$
  - Case GpmcFCLKDivider = 1:
    - $G = 0.5 * \text{ADVExtraDelay} * \text{GPMC\_FCLK}^{(14)}$  if (ClkActivationTime and ADVRdOffTime are odd) or (ClkActivationTime and ADVRdOffTime are even)
    - $G = (1 + 0.5 * \text{ADVExtraDelay}) * \text{GPMC\_FCLK}^{(14)}$  otherwise
  - Case GpmcFCLKDivider = 2:
    - $G = 0.5 * \text{ADVExtraDelay} * \text{GPMC\_FCLK}^{(14)}$  if ((ADVRdOffTime – ClkActivationTime) is a multiple of 3)
    - $G = (1 + 0.5 * \text{ADVExtraDelay}) * \text{GPMC\_FCLK}^{(14)}$  if ((ADVRdOffTime – ClkActivationTime – 1) is a multiple of 3)
    - $G = (2 + 0.5 * \text{ADVExtraDelay}) * \text{GPMC\_FCLK}^{(14)}$  if ((ADVRdOffTime – ClkActivationTime – 2) is a multiple of 3)
- For ADV rising edge (ADV deactivated) in Writing mode:
- Case GpmcFCLKDivider = 0:
    - $G = 0.5 * \text{ADVExtraDelay} * \text{GPMC\_FCLK}^{(14)}$
  - Case GpmcFCLKDivider = 1:
    - $G = 0.5 * \text{ADVExtraDelay} * \text{GPMC\_FCLK}^{(14)}$  if (ClkActivationTime and ADVWrOffTime are odd) or (ClkActivationTime and ADVWrOffTime are even)
    - $G = (1 + 0.5 * \text{ADVExtraDelay}) * \text{GPMC\_FCLK}^{(14)}$  otherwise
  - Case GpmcFCLKDivider = 2:
    - $G = 0.5 * \text{ADVExtraDelay} * \text{GPMC\_FCLK}^{(14)}$  if ((ADVWrOffTime – ClkActivationTime) is a multiple of 3)
    - $G = (1 + 0.5 * \text{ADVExtraDelay}) * \text{GPMC\_FCLK}^{(14)}$  if ((ADVWrOffTime – ClkActivationTime – 1) is a multiple of 3)
    - $G = (2 + 0.5 * \text{ADVExtraDelay}) * \text{GPMC\_FCLK}^{(14)}$  if ((ADVWrOffTime – ClkActivationTime – 2) is a multiple of 3)
- (8) For OE falling edge (OE activated) / IO DIR rising edge (Data Bus input direction):
- Case GpmcFCLKDivider = 0:  $H = 0.5 * \text{OEEExtraDelay} * \text{GPMC\_FCLK}^{(14)}$
  - Case GpmcFCLKDivider = 1:
    - $H = 0.5 * \text{OEEExtraDelay} * \text{GPMC\_FCLK}^{(14)}$  if (ClkActivationTime and OEOnTime are odd) or (ClkActivationTime and OEOnTime are even)
    - $H = (1 + 0.5 * \text{OEEExtraDelay}) * \text{GPMC\_FCLK}^{(14)}$  otherwise
  - Case GpmcFCLKDivider = 2:
    - $H = 0.5 * \text{OEEExtraDelay} * \text{GPMC\_FCLK}^{(14)}$  if ((OEOnTime – ClkActivationTime) is a multiple of 3)

- $H = (1 + 0.5 * OEExtraDelay) * GPMC\_FCLK^{(14)}$  if  $((OEOnTime - ClkActivationTime - 1)$  is a multiple of 3)
- $H = (2 + 0.5 * OEExtraDelay) * GPMC\_FCLK^{(14)}$  if  $((OEOnTime - ClkActivationTime - 2)$  is a multiple of 3)

For OE rising edge (OE deactivated):

- Case GpmcFCLKDivider = 0:
  - $H = 0.5 * OEExtraDelay * GPMC\_FCLK^{(14)}$
- Case GpmcFCLKDivider = 1:
  - $H = 0.5 * OEExtraDelay * GPMC\_FCLK^{(14)}$  if (ClkActivationTime and OEOffTime are odd) or (ClkActivationTime and OEOffTime are even)
  - $H = (1 + 0.5 * OEExtraDelay) * GPMC\_FCLK^{(14)}$  otherwise
- Case GpmcFCLKDivider = 2:
  - $H = 0.5 * OEExtraDelay * GPMC\_FCLK^{(14)}$  if  $((OEOffTime - ClkActivationTime)$  is a multiple of 3)
  - $H = (1 + 0.5 * OEExtraDelay) * GPMC\_FCLK^{(14)}$  if  $((OEOffTime - ClkActivationTime - 1)$  is a multiple of 3)
  - $H = (2 + 0.5 * OEExtraDelay) * GPMC\_FCLK^{(14)}$  if  $((OEOffTime - ClkActivationTime - 2)$  is a multiple of 3)

(9) For WE falling edge (WE activated):

- Case GpmcFCLKDivider = 0:
  - $I = 0.5 * WEExtraDelay * GPMC\_FCLK^{(14)}$
- Case GpmcFCLKDivider = 1:
  - $I = 0.5 * WEExtraDelay * GPMC\_FCLK^{(14)}$  if (ClkActivationTime and WEOnTime are odd) or (ClkActivationTime and WEOnTime are even)
  - $I = (1 + 0.5 * WEExtraDelay) * GPMC\_FCLK^{(14)}$  otherwise
- Case GpmcFCLKDivider = 2:
  - $I = 0.5 * WEExtraDelay * GPMC\_FCLK^{(14)}$  if  $((WEOnTime - ClkActivationTime)$  is a multiple of 3)
  - $I = (1 + 0.5 * WEExtraDelay) * GPMC\_FCLK^{(14)}$  if  $((WEOnTime - ClkActivationTime - 1)$  is a multiple of 3)
  - $I = (2 + 0.5 * WEExtraDelay) * GPMC\_FCLK^{(14)}$  if  $((WEOnTime - ClkActivationTime - 2)$  is a multiple of 3)

For WE rising edge (WE deactivated):

- Case GpmcFCLKDivider = 0:
  - $I = 0.5 * WEExtraDelay * GPMC\_FCLK^{(14)}$
- Case GpmcFCLKDivider = 1:
  - $I = 0.5 * WEExtraDelay * GPMC\_FCLK^{(14)}$  if (ClkActivationTime and WEOffTime are odd) or (ClkActivationTime and WEOffTime are even)
  - $I = (1 + 0.5 * WEExtraDelay) * GPMC\_FCLK^{(14)}$  otherwise
- Case GpmcFCLKDivider = 2:
  - $I = 0.5 * WEExtraDelay * GPMC\_FCLK^{(14)}$  if  $((WEOffTime - ClkActivationTime)$  is a multiple of 3)
  - $I = (1 + 0.5 * WEExtraDelay) * GPMC\_FCLK^{(14)}$  if  $((WEOffTime - ClkActivationTime - 1)$  is a multiple of 3)
  - $I = (2 + 0.5 * WEExtraDelay) * GPMC\_FCLK^{(14)}$  if  $((WEOffTime - ClkActivationTime - 2)$  is a multiple of 3)

(10)  $J = GPMC\_FCLK^{(14)}$

(11) In gpmc\_ncsx, x is equal to 0, 1, 2, 3, 4, 5, 6, or 7. In gpmc\_waitx, x is equal to 0, 1, 2, or 3.

(12) P = gpmc\_clk period in ns

(13) For read:  $K = (ADVrdOffTime - ADVOnTime) * (TimeParaGranularity + 1) * GPMC\_FCLK^{(14)}$   
 For write:  $K = (ADVwrOffTime - ADVOnTime) * (TimeParaGranularity + 1) * GPMC\_FCLK^{(14)}$

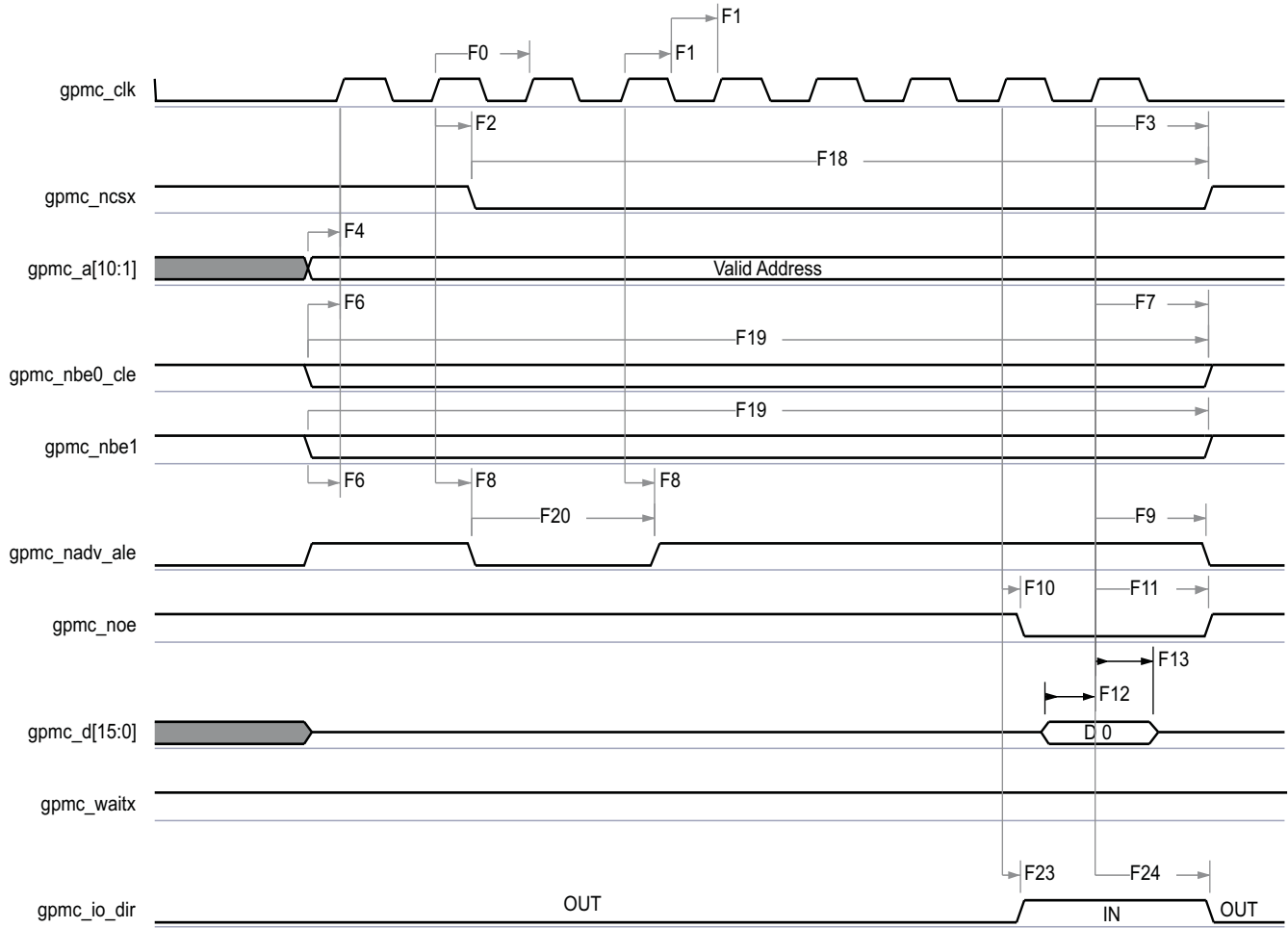
(14) GPMC\_FCLK is general-purpose memory controller internal functional clock period in ns.

(15) Related to the gpmc\_clk output clock maximum and minimum frequencies programmable in the GPMC module by setting the GPMC\_CONFIG1\_CSx configuration register bit field GpmcFCLKDivider.

(16) The jitter probability density can be approximated by a Gaussian function.

(17)  $M = (RdCycleTime - AccessTime) * (TimeParaGranularity + 1) * GPMC\_FCLK^{(14)}$   
 Above M parameter expression is given as one example of GPMC programming. IO DIR signal will go from IN to OUT after both RdCycleTime and BusTurnAround completion. Behavior of IO direction signal does depend on kind of successive Read/Write accesses performed to Memory and multiplexed or nonmultiplexed memory addressing scheme, bus keeping feature enabled or not. IO DIR behaviour is automatically handled by GPMC controller. For a full description of the gpmc\_io\_dir feature, see the *AM/DM37x Multimedia Device Technical Reference Manual* (literature number [SPRUGN4](#)).

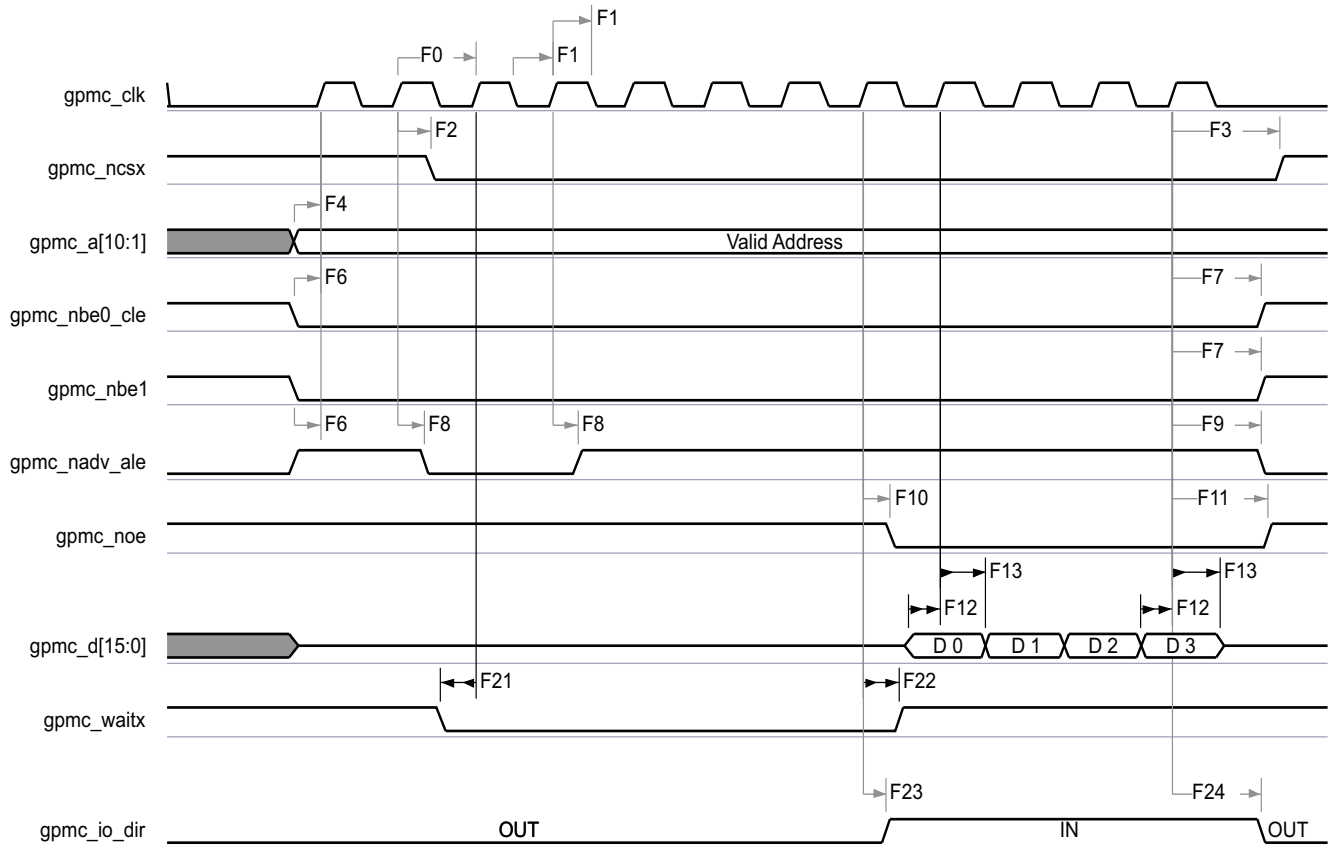
(18) See [Section 4.3.4, Processor Clocks](#).



SWPS038-014

- (1) In gpmc\_ncsx, x is equal to 0, 1, 2, 3, 4, 5, 6, or 7.
- (2) In gpmc\_waitx, x is equal to 0, 1, 2, or 3.

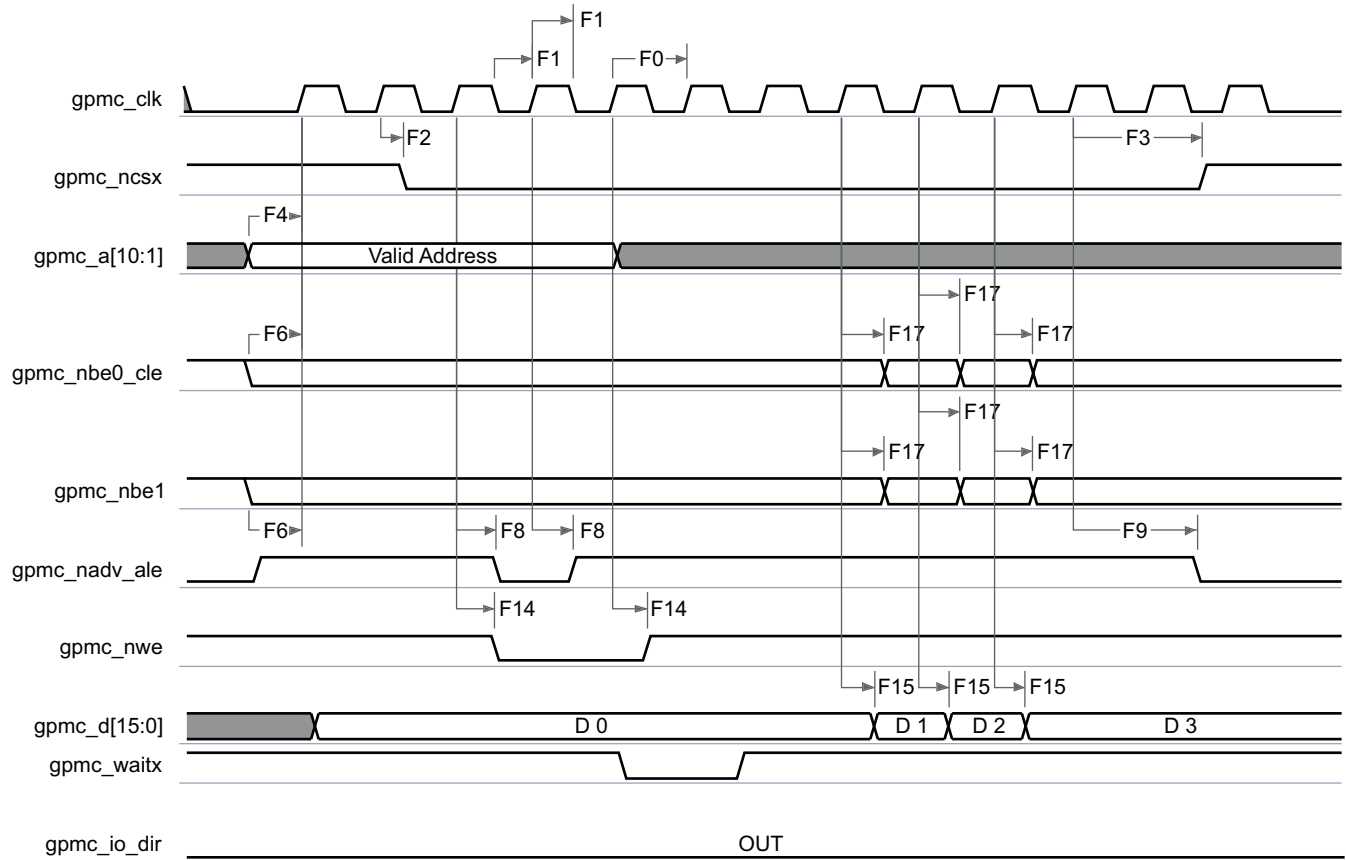
**Figure 6-2. GPMC/NOR Flash—Synchronous Single Read—(GpmcFCLKDivider = 0)**



SWPS038-015

- (1) In gpmc\_ncsx, x is equal to 0, 1, 2, 3, 4, 5, 6, or 7.
- (2) In gpmc\_waitx, x is equal to 0, 1, 2, or 3.

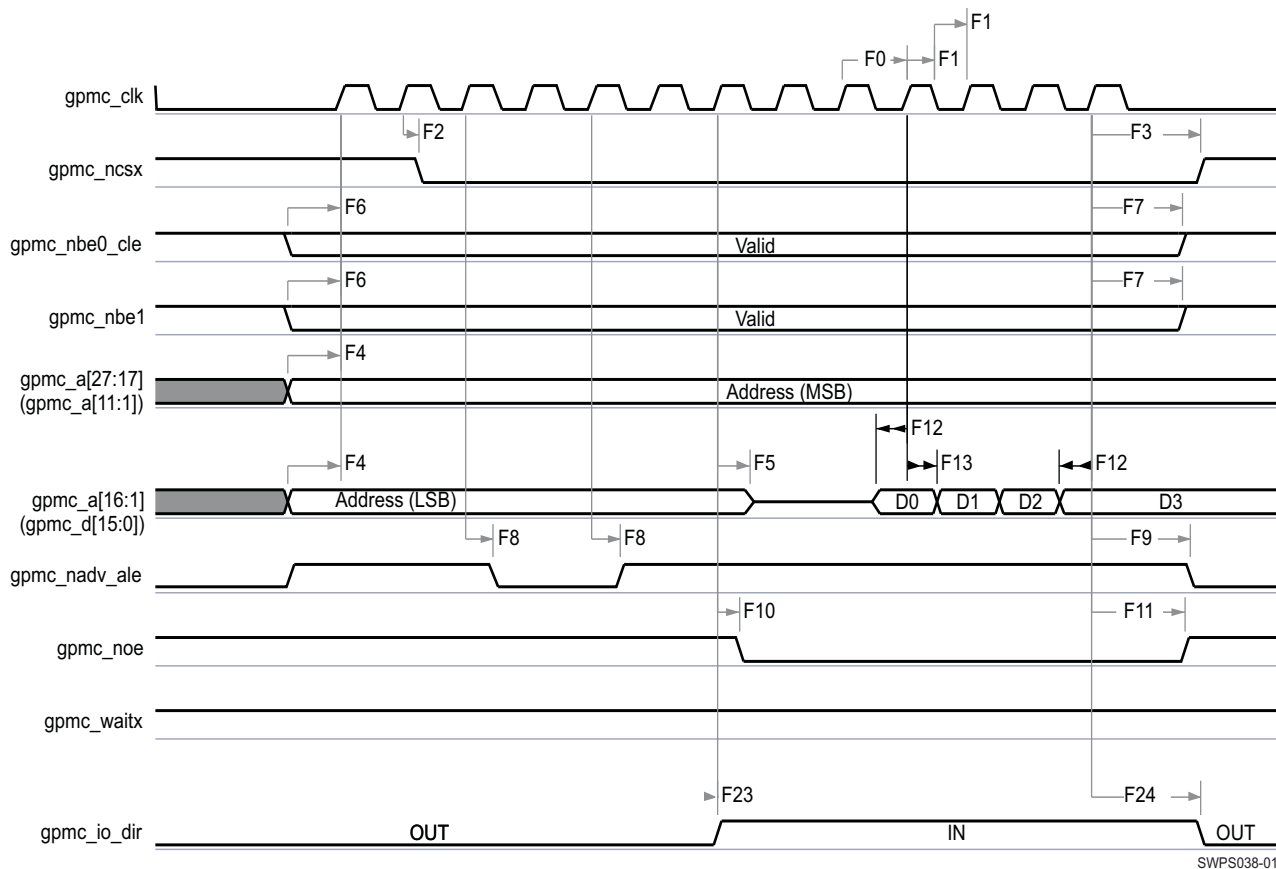
**Figure 6-3. GPMC/NOR Flash—Synchronous Burst Read—4x16-bit (GpmcFCLKDivider = 0)**



SWPS038-016

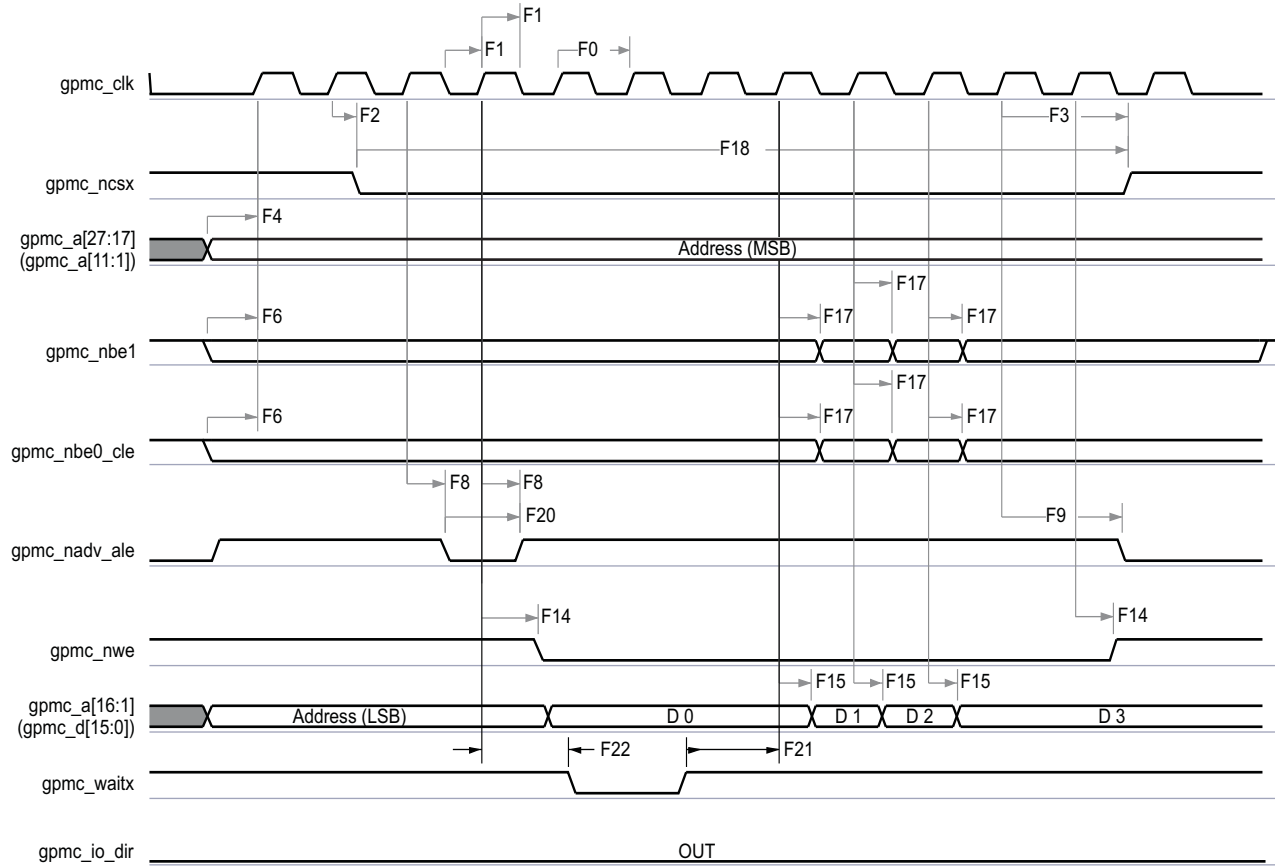
- (1) In gpmc\_ncsx, x is equal to 0, 1, 2, 3, 4, 5, 6, or 7.
- (2) In gpmc\_waitx, x is equal to 0, 1, 2, or 3.

**Figure 6-4. GPMC/NOR Flash—Synchronous Burst Write—(GpmcFCLKDivider > 0)**



- (1) In gpmc\_ncsx, x is equal to 0, 1, 2, 3, 4, 5, 6, or 7.
- (2) In gpmc\_waitx, x is equal to 0, 1, 2, or 3.

**Figure 6-5. GPMC/Multiplexed NOR Flash—Synchronous Burst Read**



SWPS038-018

- (1) In gpmc\_ncsx, x is equal to 0, 1, 2, 3, 4, 5, 6, or 7.
- (2) In gpmc\_waitx, x is equal to 0, 1, 2, or 3.

**Figure 6-6. GPMC/Multiplexed NOR Flash—Synchronous Burst Write**



### 6.4.1.2 GPMC/NOR Flash—Asynchronous Mode

Table 6-6 and Table 6-7 assume testing over the recommended operating conditions and electrical characteristic conditions below (see Figure 6-7 through Figure 6-12).

**Table 6-5. GPMC/NOR Flash Timing Conditions—Asynchronous Mode**

TIMING CONDITION PARAMETER		VALUE	UNIT
<b>Input Conditions</b>			
$t_R$	Input signal rise time	1.8	ns
$t_F$	Input signal fall time	1.8	ns
<b>Output Conditions</b>			
$C_{LOAD}$	Output load capacitance <sup>(1)</sup>	16	pF

(1) The load setting of the IO buffer: LB0 = 0.

**Table 6-6. GPMC/NOR Flash Internal Timing Parameters—Asynchronous Mode<sup>(1) (2) (4)</sup>**

NO.	PARAMETER	OPP100		OPP50		UNIT
		MIN	MAX	MIN	MAX	
FI1	Delay time, output data gpmc_d[15:0] generation from internal functional clock GPMC_FCLK <sup>(3)</sup>		6.6		7.0	ns
FI2	Delay time, input data gpmc_d[15:0] capture from internal functional clock GPMC_FCLK <sup>(3)</sup>		4.4		7.0	ns
FI3	Delay time, output chip select gpmc_ncsx generation from internal functional clock GPMC_FCLK <sup>(3)</sup>		6.5		7.0	ns
FI4	Delay time, output address gpmc_a[27:1] generation from internal functional clock GPMC_FCLK <sup>(3)</sup>		7.6		7.0	ns
FI5	Delay time, output address gpmc_a[27:1] valid from internal functional clock GPMC_FCLK <sup>(3)</sup>		7.6		7.0	ns
FI6	Delay time, output lower-byte enable/command latch enable gpmc_nbe0_cle, output upper-byte enable gpmc_nbe1 generation from internal functional clock GPMC_FCLK <sup>(3)</sup>		6.5		7.0	ns
FI7	Delay time, output enable gpmc_noe generation from internal functional clock GPMC_FCLK <sup>(3)</sup>		5.8		7.0	ns
FI8	Delay time, output write enable gpmc_nwe generation from internal functional clock GPMC_FCLK <sup>(3)</sup>		7.0		7.0	ns
FI9	Skew, internal functional clock GPMC_FCLK <sup>(3)</sup>		100		170	ps
FI10	Delay time, IO direction generation from internal functional clock GPMC_FCLK <sup>(3)</sup>		6.3		7.0	ps

(1) The internal parameters table must be used to calculate data access time stored in the corresponding CS register bit field.

(2) Internal parameters are referred to the GPMC functional internal clock which is not provided externally.

(3) GPMC\_FCLK is general-purpose memory controller internal functional clock.

(4) See Section 4.3.4, Processor Clocks.

**Table 6-7. GPMC/NOR Flash Timing Requirements—Asynchronous Mode<sup>(7)</sup>**

NO.	PARAMETER		OPP100		OPP50		UNIT
			MIN	MAX	MIN	MAX	
FA5 <sup>(1)</sup>	$t_{acc(d)}$	Data access time		H <sup>(5)</sup>		H <sup>(5)</sup>	ns
FA20 <sup>(3)</sup>	$t_{acc1-pgmode(d)}$	Page mode successive data access time		P <sup>(4)</sup>		P <sup>(4)</sup>	ns
FA21 <sup>(2)</sup>	$t_{acc2-pgmode(d)}$	Page mode first data access time		H <sup>(5)</sup>		H <sup>(5)</sup>	ns

- (1) The FA5 parameter illustrates the amount of time required to internally sample input data. It is expressed in number of GPMC functional clock cycles. From start of read cycle and after FA5 functional clock cycles, input data is internally sampled by active functional clock edge. FA5 value must be stored inside the AccessTime register bit field.
- (2) The FA21 parameter illustrates amount of time required to internally sample first input page data. It is expressed in number of GPMC functional clock cycles. From start of read cycle and after FA21 functional clock cycles, first input page data is internally sampled by active functional clock edge. FA21 value must be stored inside the AccessTime register bit field.
- (3) The FA20 parameter illustrates amount of time required to internally sample successive input page data. It is expressed in number of GPMC functional clock cycles. After each access to input page data, next input page data is internally sampled by active functional clock edge after FA20 functional clock cycles. The FA20 value must be stored in the PageBurstAccessTime register bit field.
- (4)  $P = \text{PageBurstAccessTime} * (\text{TimeParaGranularity} + 1) * \text{GPMC\_FCLK}^{(6)}$
- (5)  $H = \text{AccessTime} * (\text{TimeParaGranularity} + 1) * \text{GPMC\_FCLK}^{(6)}$
- (6) GPMC\_FCLK is general-purpose memory controller internal functional clock period in ns.
- (7) See [Section 4.3.4, Processor Clocks](#).

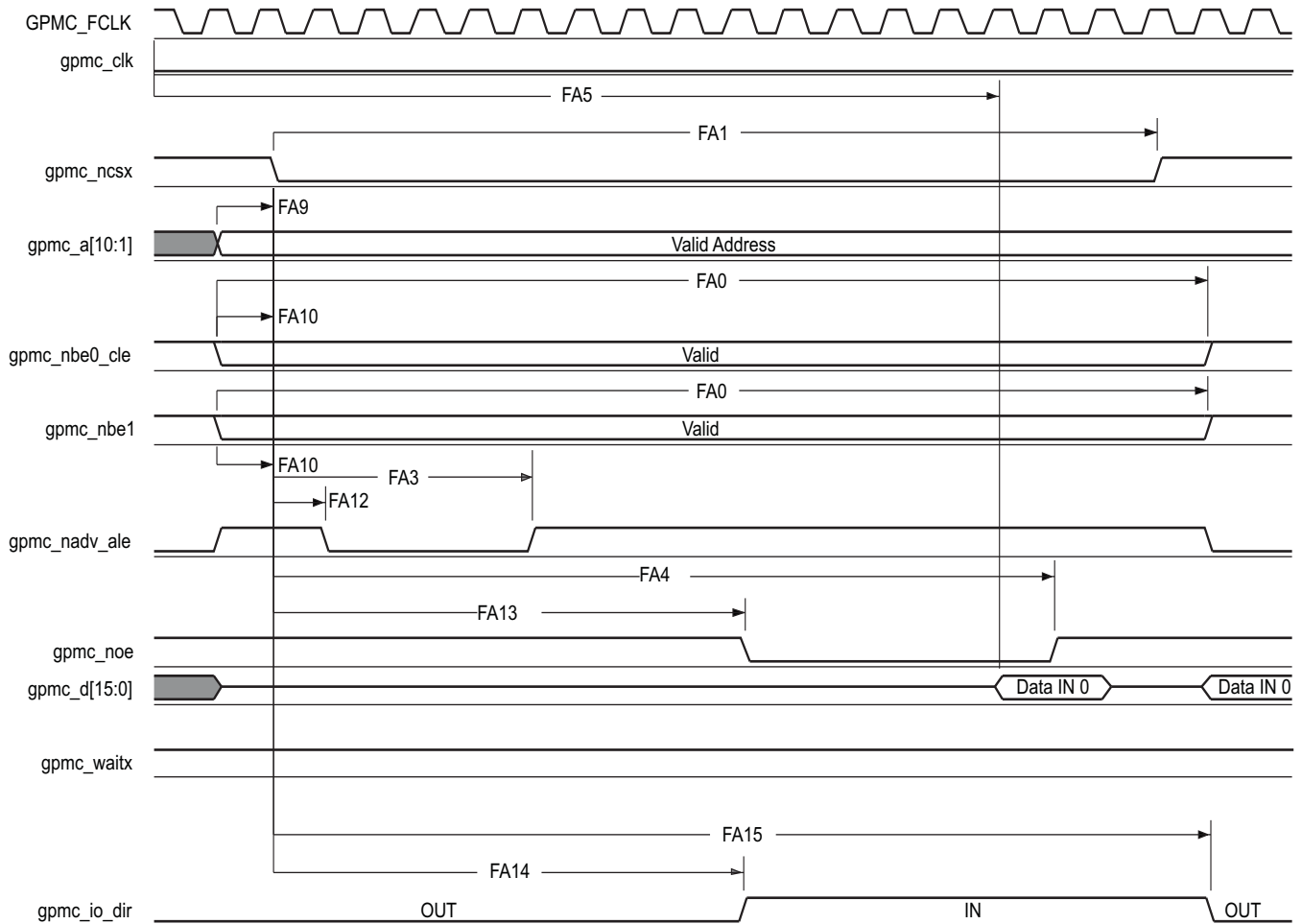
**Table 6-8. GPMC/NOR Flash Switching Characteristics—Asynchronous Mode<sup>(16)</sup>**

NO.	PARAMETER		OPP100		OPP50		UNIT	
			MIN	MAX	MIN	MAX		
	$t_{R(d)}$	Rise time, output data gpmc_d[15:0]		2		2	ns	
	$t_{F(d)}$	Fall time, output data gpmc_d[15:0]		2		2	ns	
FA0	$t_{w(nbeV)}$	Pulse duration, output lower-byte enable/command latch enable gpmc_nbe0_cle, output upper-byte enable gpmc_nbe1 valid time	Read	N <sup>(12)</sup>		N <sup>(12)</sup>	ns	
			Write	N <sup>(12)</sup>		N <sup>(12)</sup>		
FA1	$t_{w(ncsV)}$	Pulse duration, output chip select gpmc_ncsx <sup>(13)</sup> low	Read	A <sup>(1)</sup>		A <sup>(1)</sup>	ns	
			Write	A <sup>(1)</sup>		A <sup>(1)</sup>		
FA3	$t_{d(ncsV-nadvV)}$	Delay time, output chip select gpmc_ncsx <sup>(13)</sup> valid to output address valid/address latch enable gpmc_nadv_ale invalid	Read	B <sup>(2)</sup> - 0.2	B <sup>(2)</sup> + 2.0	B <sup>(2)</sup> - 0.2	B <sup>(2)</sup> + 2.6	ns
			Write	B <sup>(2)</sup> - 0.2	B <sup>(2)</sup> + 2.0	B <sup>(2)</sup> - 0.2	B <sup>(2)</sup> + 2.6	
FA4	$t_{d(ncsV-noeIV)}$	Delay time, output chip select gpmc_ncsx <sup>(13)</sup> valid to output enable gpmc_noe invalid (Single read)		C <sup>(3)</sup> - 0.2	C <sup>(3)</sup> + 2.0	C <sup>(3)</sup> - 0.2	C <sup>(3)</sup> + 2.6	ns
FA9	$t_{d(aV-ncsV)}$	Delay time, output address gpmc_a[27:1] valid to output chip select gpmc_ncsx <sup>(13)</sup> valid		J <sup>(9)</sup> - 0.2	J <sup>(9)</sup> + 2.0	J <sup>(9)</sup> - 0.2	J <sup>(9)</sup> + 2.6	ns
FA10	$t_{d(nbeV-ncsV)}$	Delay time, output lower-byte enable/command latch enable gpmc_nbe0_cle, output upper-byte enable gpmc_nbe1 valid to output chip select gpmc_ncsx <sup>(13)</sup> valid		J <sup>(9)</sup> - 0.2	J <sup>(9)</sup> + 2.0	J <sup>(9)</sup> - 0.2	J <sup>(9)</sup> + 2.6	ns
FA12	$t_{d(ncsV-nadvV)}$	Delay time, output chip select gpmc_ncsx <sup>(13)</sup> valid to output address valid/address latch enable gpmc_nadv_ale valid		K <sup>(10)</sup> - 0.2	K <sup>(10)</sup> + 2.0	K <sup>(10)</sup> - 0.2	K <sup>(10)</sup> + 2.6	ns
FA13	$t_{d(ncsV-noeV)}$	Delay time, output chip select gpmc_ncsx <sup>(13)</sup> valid to output enable gpmc_noe valid		L <sup>(11)</sup> - 0.2	L <sup>(11)</sup> + 2.0	L <sup>(11)</sup> - 0.2	L <sup>(11)</sup> + 2.6	ns
FA14	$t_{d(ncsV-iodir)}$	Delay time, output chip select gpmc_ncsx <sup>(13)</sup> valid to output IO direction control gpmc_io_dir high		L <sup>(11)</sup> - 0.2	L <sup>(11)</sup> + 2.0	L <sup>(11)</sup> - 0.2	L <sup>(11)</sup> + 2.6	ns
FA15	$t_{d(ncsV-iodir)}$	Delay time, output chip select gpmc_ncsx <sup>(13)</sup> valid to output IO direction control gpmc_io_dir low		M <sup>(14)</sup> - 0.2	M <sup>(14)</sup> + 2.0	M <sup>(14)</sup> - 0.2	M <sup>(14)</sup> + 2.6	ns

**Table 6-8. GPMC/NOR Flash Switching Characteristics—Asynchronous Mode<sup>(16)</sup> (continued)**

NO.	PARAMETER		OPP100		OPP50		UNIT
			MIN	MAX	MIN	MAX	
FA16	$t_{w(alV)}$	Pulse duration output address gpmc_a[26:1] invalid between 2 successive R/W accesses	G <sup>(7)</sup>		G <sup>(7)</sup>		ns
FA18	$t_{d(ncsv-noelV)}$	Delay time, output chip select gpmc_ncsx <sup>(13)</sup> valid to output enable gpmc_noe invalid (Burst read)	I <sup>(8)</sup> – 0.2	I <sup>(8)</sup> + 2.0	I <sup>(8)</sup> – 0.2	I <sup>(8)</sup> + 2.6	ns
FA20	$t_{w(aV)}$	Pulse duration, output address gpmc_a[27:1] valid – 2nd, 3rd, and 4th accesses	D <sup>(4)</sup>		D <sup>(4)</sup>		ns
FA25	$t_{d(ncsv-nweV)}$	Delay time, output chip select gpmc_ncsx <sup>(13)</sup> valid to output write enable gpmc_nwe valid	E <sup>(5)</sup> – 0.2	E <sup>(5)</sup> + 2.0	E <sup>(5)</sup> – 0.2	E <sup>(5)</sup> + 2.6	ns
FA27	$t_{d(ncsv-nweIV)}$	Delay time, output chip select gpmc_ncsx <sup>(13)</sup> valid to output write enable gpmc_nwe invalid	F <sup>(6)</sup> – 0.2	F <sup>(6)</sup> + 2.0	F <sup>(6)</sup> – 0.2	F <sup>(6)</sup> + 2.6	ns
FA28	$t_{d(nweV-dV)}$	Delay time, output write enable gpmc_nwe valid to output data gpmc_d[15:0] valid		2.0		2.6	ns
FA29	$t_{d(dV-ncsv)}$	Delay time, output data gpmc_d[15:0] valid to output chip select gpmc_ncsx <sup>(13)</sup> valid	J <sup>(9)</sup> – 0.2	J <sup>(9)</sup> + 2.0	J <sup>(9)</sup> – 0.2	J <sup>(9)</sup> + 2.6	ns
FA37	$t_{d(noeV-aIV)}$	Delay time, output enable gpmc_noe valid to output address gpmc_a[16:1]_d[15:0] phase end		2.0		2.6	ns

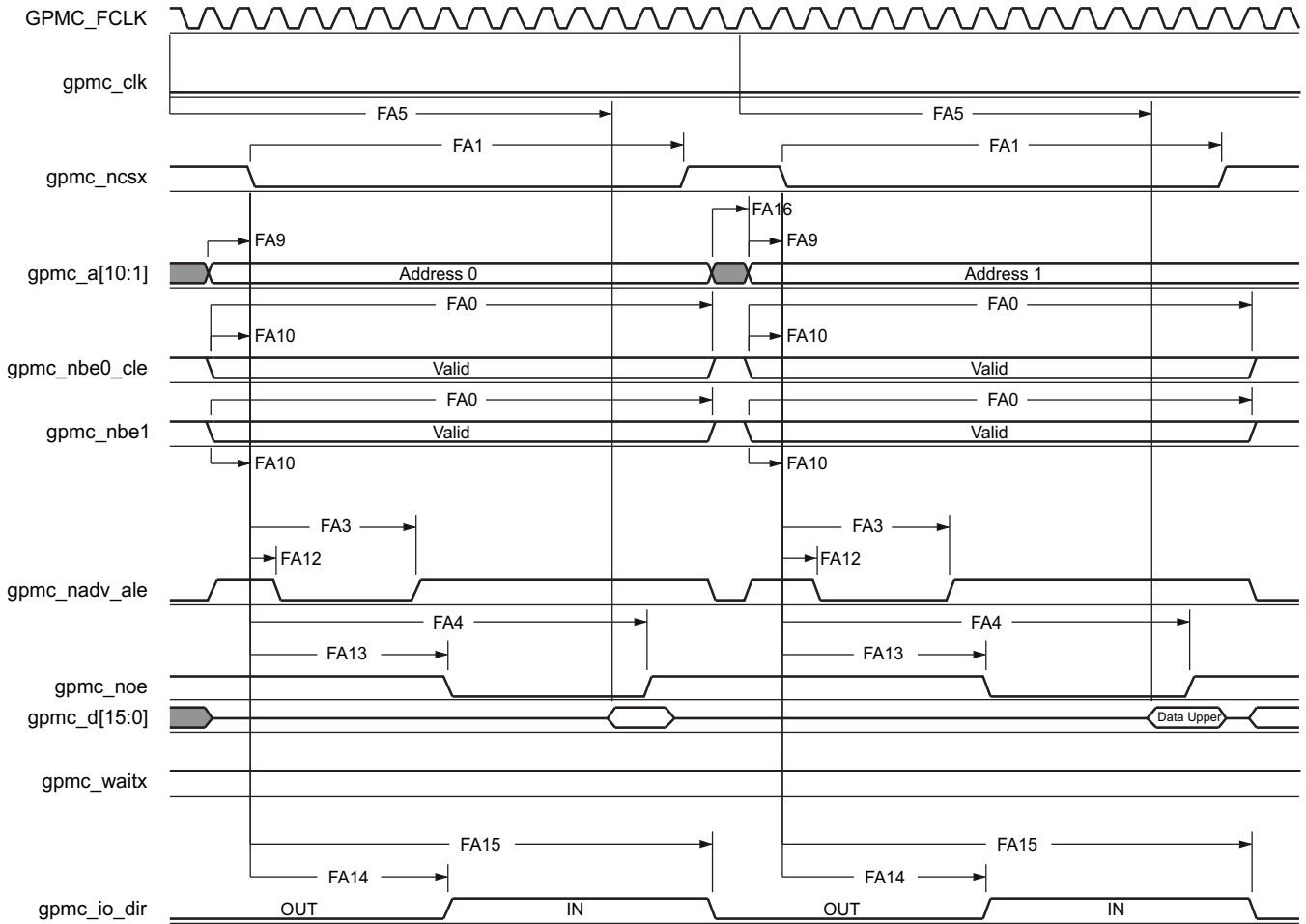
- (1) For single read:  $A = (CSRdOffTime - CSOnTime) * (TimeParaGranularity + 1) * GPMC\_FCLK^{(15)}$   
For single write:  $A = (CSWrOffTime - CSOnTime) * (TimeParaGranularity + 1) * GPMC\_FCLK^{(15)}$   
For burst read:  $A = (CSRdOffTime - CSOnTime + (n - 1) * PageBurstAccessTime) * (TimeParaGranularity + 1) * GPMC\_FCLK^{(15)}$   
For burst write:  $A = (CSWrOffTime - CSOnTime + (n - 1) * PageBurstAccessTime) * (TimeParaGranularity + 1) * GPMC\_FCLK^{(15)}$   
with n being the page burst access number
- (2) For reading:  $B = ((ADVrdOffTime - CSOnTime) * (TimeParaGranularity + 1) + 0.5 * (ADVExtraDelay - CSEExtraDelay)) * GPMC\_FCLK^{(15)}$   
For writing:  $B = ((ADVwrOffTime - CSOnTime) * (TimeParaGranularity + 1) + 0.5 * (ADVExtraDelay - CSEExtraDelay)) * GPMC\_FCLK^{(15)}$
- (3)  $C = ((OEOffTime - CSOnTime) * (TimeParaGranularity + 1) + 0.5 * (OEEExtraDelay - CSEExtraDelay)) * GPMC\_FCLK^{(15)}$
- (4)  $D = PageBurstAccessTime * (TimeParaGranularity + 1) * GPMC\_FCLK^{(15)}$
- (5)  $E = ((WEOnTime - CSOnTime) * (TimeParaGranularity + 1) + 0.5 * (WEEExtraDelay - CSEExtraDelay)) * GPMC\_FCLK^{(15)}$
- (6)  $F = ((WEOffTime - CSOnTime) * (TimeParaGranularity + 1) + 0.5 * (WEEExtraDelay - CSEExtraDelay)) * GPMC\_FCLK^{(15)}$
- (7)  $G = Cycle2CycleDelay * GPMC\_FCLK^{(15)}$
- (8)  $I = ((OEOffTime + (n - 1) * PageBurstAccessTime - CSOnTime) * (TimeParaGranularity + 1) + 0.5 * (OEEExtraDelay - CSEExtraDelay)) * GPMC\_FCLK^{(15)}$
- (9)  $J = (CSOnTime * (TimeParaGranularity + 1) + 0.5 * CSEExtraDelay) * GPMC\_FCLK^{(15)}$
- (10)  $K = ((ADVOnTime - CSOnTime) * (TimeParaGranularity + 1) + 0.5 * (ADVExtraDelay - CSEExtraDelay)) * GPMC\_FCLK^{(15)}$
- (11)  $L = ((OEOnTime - CSOnTime) * (TimeParaGranularity + 1) + 0.5 * (OEEExtraDelay - CSEExtraDelay)) * GPMC\_FCLK^{(15)}$
- (12) For single read:  $N = RdCycleTime * (TimeParaGranularity + 1) * GPMC\_FCLK^{(15)}$   
For single write:  $N = WrCycleTime * (TimeParaGranularity + 1) * GPMC\_FCLK^{(15)}$   
For burst read:  $N = (RdCycleTime + (n - 1) * PageBurstAccessTime) * (TimeParaGranularity + 1) * GPMC\_FCLK^{(15)}$   
For burst write:  $N = (WrCycleTime + (n - 1) * PageBurstAccessTime) * (TimeParaGranularity + 1) * GPMC\_FCLK^{(15)}$
- (13) In gpmc\_ncsx, x is equal to 0, 1, 2, 3, 4, 5, 6, or 7.
- (14)  $M = ((RdCycleTime - CSOnTime) * (TimeParaGranularity + 1) - 0.5 * CSEExtraDelay) * GPMC\_FCLK^{(15)}$   
Above M parameter expression is given as one example of GPMC programming. IO DIR signal will go from IN to OUT after both RdCycleTime and BusTurnAround completion. Behavior of IO direction signal does depend on kind of successive Read/Write accesses performed to Memory and multiplexed or nonmultiplexed memory addressing scheme, bus keeping feature enabled or not. IO DIR behaviour is automatically handled by GPMC controller. For a full description of the gpmc\_io\_dir feature, see the *AM/DM37x Multimedia Device Technical Reference Manual* (literature number [SPRUGN4](#)).
- (15) GPMC\_FCLK is general-purpose memory controller internal functional clock period in ns.
- (16) See [Section 4.3.4, Processor Clocks](#).



SWPS038-019

- (1) In gpmc\_ncsx, x is equal to 0, 1, 2, 3, 4, 5, 6, or 7. In gpmc\_waitx, x is equal to 0, 1, 2, or 3.
- (2) FA5 parameter illustrates amount of time required to internally sample input data. It is expressed in number of GPMC functional clock cycles. From start of read cycle and after FA5 functional clock cycles, input data will be internally sampled by active functional clock edge. FA5 value must be stored inside AccessTime register bits field.
- (3) GPMC\_FCLK is an internal clock (GPMC functional clock) not provided externally.

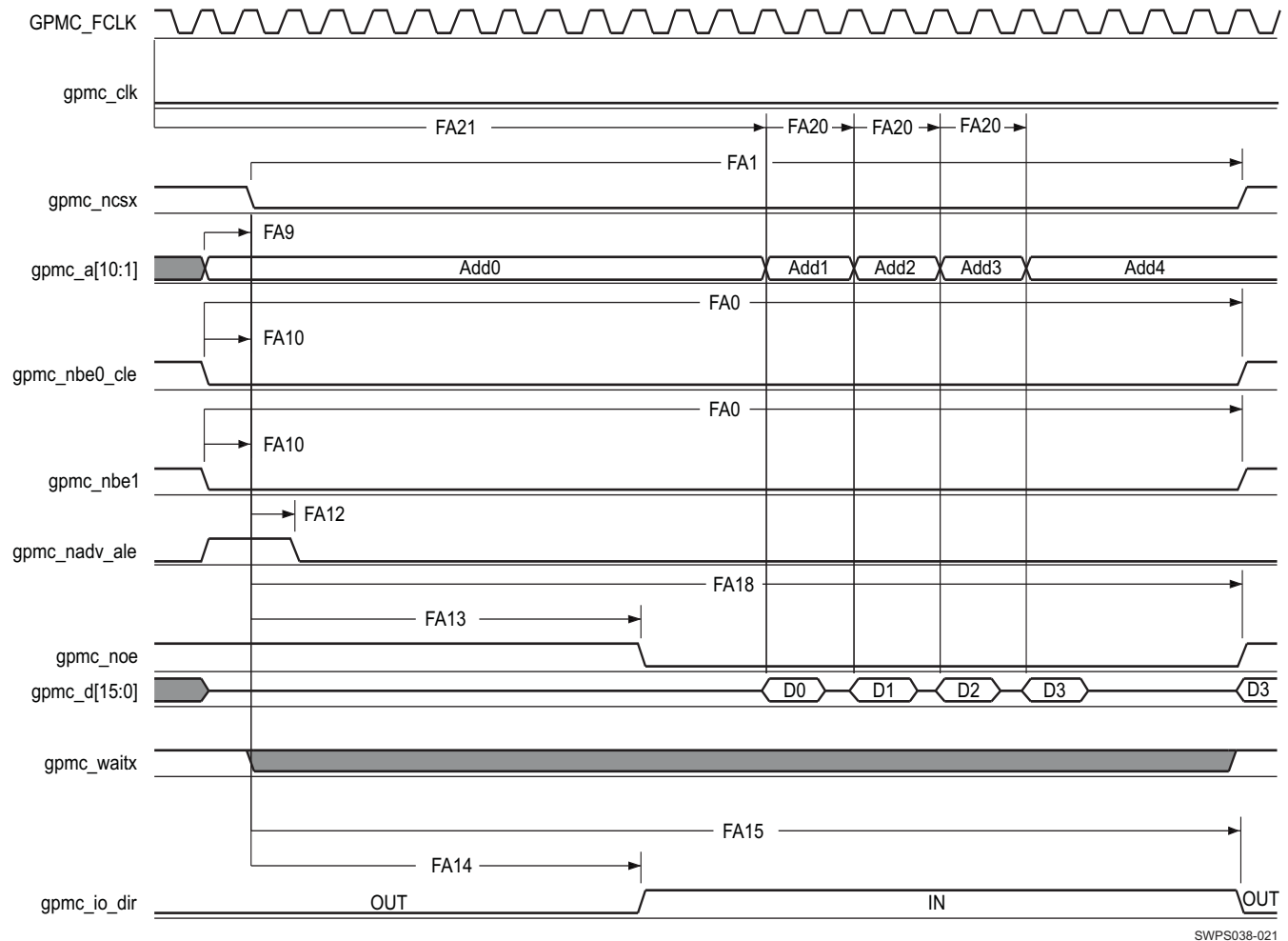
**Figure 6-7. GPMC / NOR Flash—Asynchronous Read—Single Word**



SWPS038-020

- (1) In gpmc\_ncsx, x is equal to 0, 1, 2, 3, 4, 5, 6, or 7. In gpmc\_waitx, x is equal to 0, 1, 2, or 3.
- (2) FA5 parameter illustrates amount of time required to internally sample input data. It is expressed in number of GPMC functional clock cycles. From start of read cycle and after FA5 functional clock cycles, input data will be internally sampled by active functional clock edge. FA5 value must be stored inside AccessTime register bits field.
- (3) GPMC\_FCLK is an internal clock (GPMC functional clock) not provided externally.

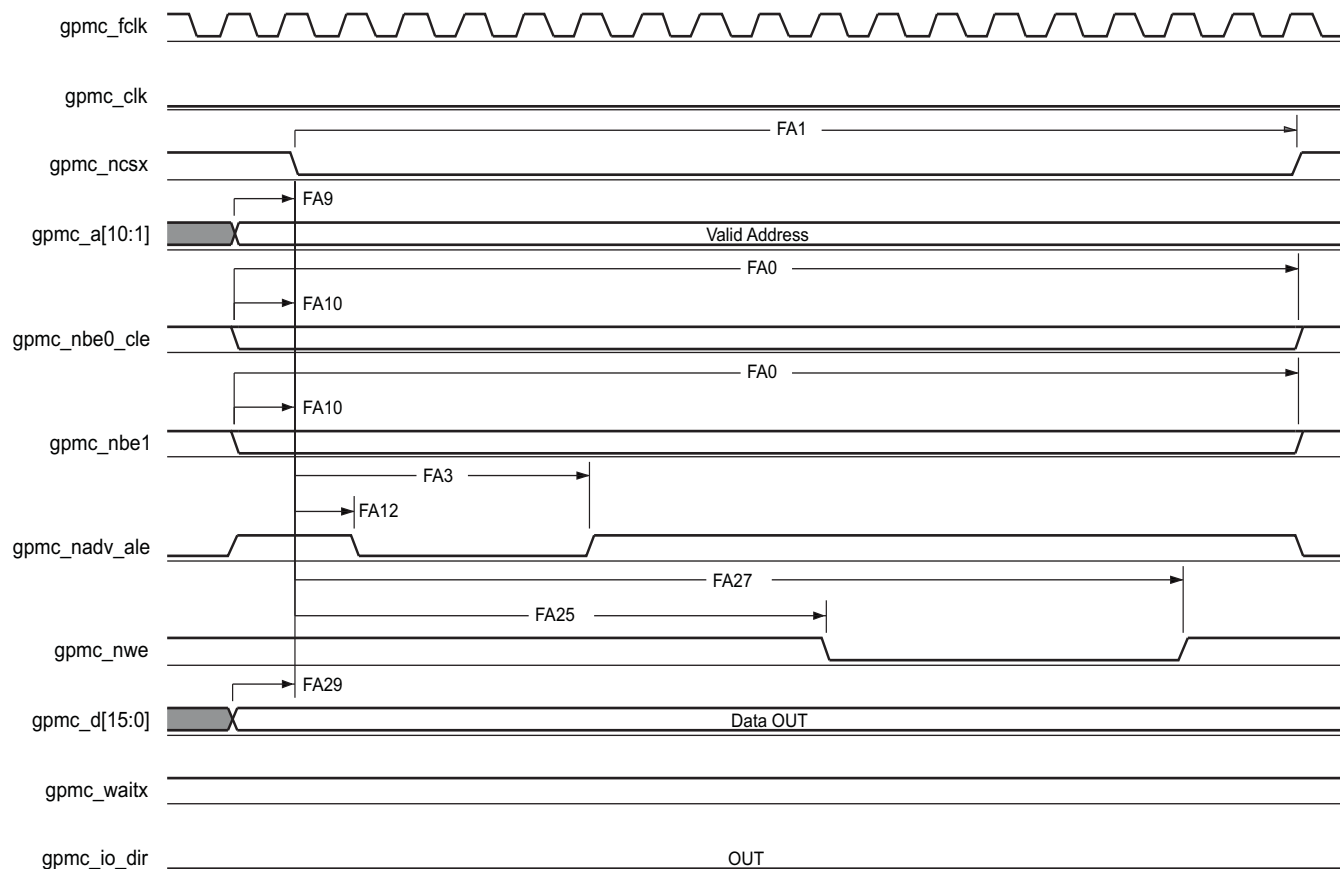
**Figure 6-8. GPMC / NOR Flash—Asynchronous Read—32-bit**



SWPS038-021

- (1) In `gpmc_ncsx`, `x` is equal to 0, 1, 2, 3, 4, 5, 6, or 7. In `gpmc_waitx`, `x` is equal to 0, 1, 2, or 3.
- (2) `FA21` parameter illustrates amount of time required to internally sample first input page data. It is expressed in number of GPMC functional clock cycles. From start of read cycle and after `FA21` functional clock cycles, first input page data will be internally sampled by active functional clock edge. `FA21` calculation must be stored inside `AccessTime` register bits field.
- (3) `FA20` parameter illustrates amount of time required to internally sample successive input page data. It is expressed in number of GPMC functional clock cycles. After each access to input page data, next input page data will be internally sampled by active functional clock edge after `FA20` functional clock cycles. `FA20` is also the duration of address phases for successive input page data (excluding first input page data). `FA20` value must be stored in `PageBurstAccessTime` register bits field.
- (4) `GPMC_FCLK` is an internal clock (GPMC functional clock) not provided externally.

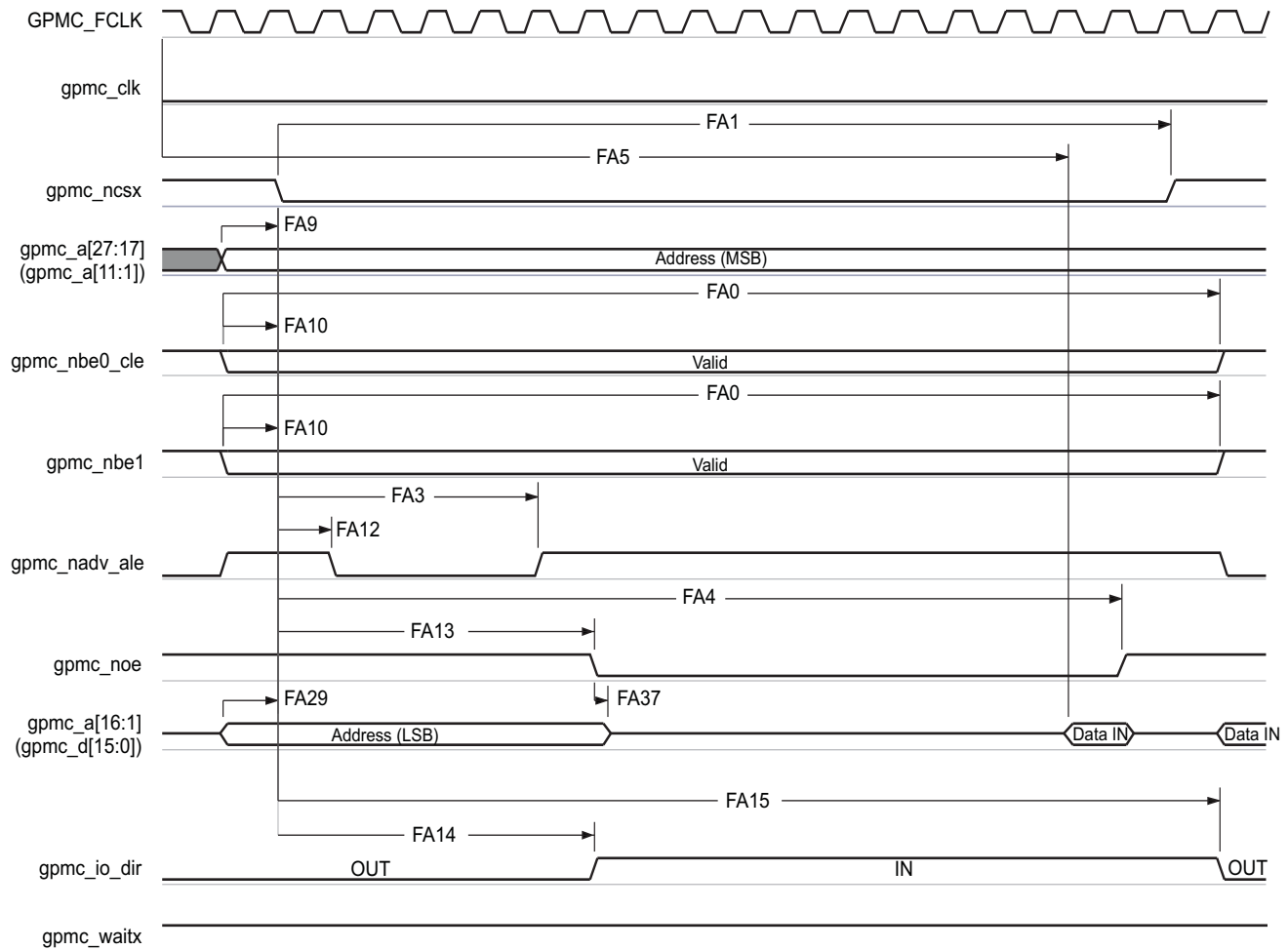
**Figure 6-9. GPMC / NOR Flash—Asynchronous Read—Page Mode 4x16-bit**



SWPS038-022

(1) In `gpmc_ncsx`, `x` is equal to 0, 1, 2, 3, 4, 5, 6, or 7. In `gpmc_waitx`, `x` is equal to 0, 1, 2, or 3.

**Figure 6-10. GPMC / NOR Flash—Asynchronous Write—Single Word**

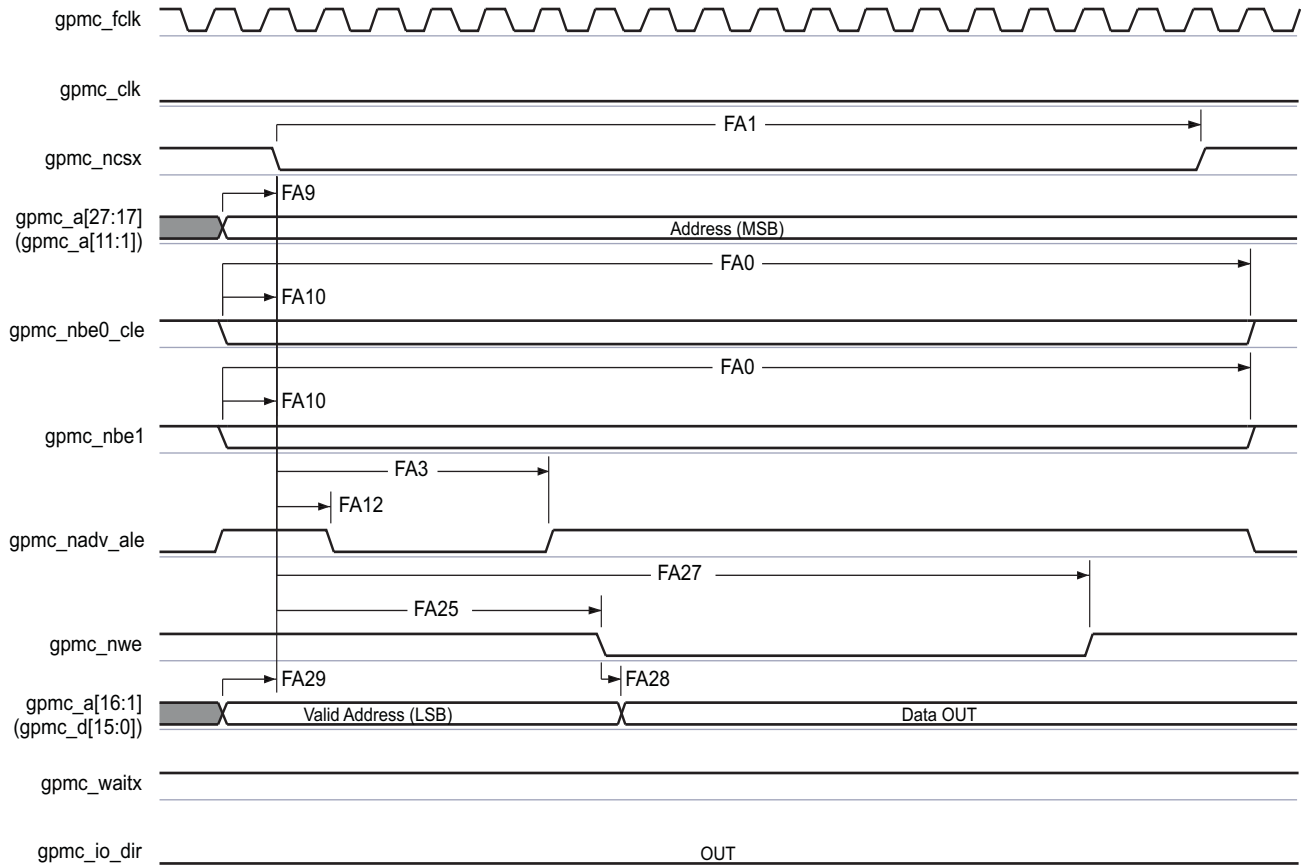


SWPS038-023

- (1) In `gpmc_ncsx`, `x` is equal to 0, 1, 2, 3, 4, 5, 6, or 7. In `gpmc_waitx`, `x` is equal to 0, 1, 2, or 3.
- (2) `FA5` parameter illustrates amount of time required to internally sample input data. It is expressed in number of GPMC functional clock cycles. From start of read cycle and after `FA5` functional clock cycles, input data will be internally sampled by active functional clock edge. `FA5` value must be stored inside `AccessTime` register bits field.
- (3) `GPMC_FCLK` is an internal clock (GPMC functional clock) not provided externally.

**Figure 6-11. GPMC / Multiplexed NOR Flash—Asynchronous Read—Single Word**





SWPS038-024

(1) In **gpmc\_ncsx**, x is equal to 0, 1, 2, 3, 4, 5, 6, or 7. In **gpmc\_waitx**, x is equal to 0, 1, 2, or 3.

**Figure 6-12. GPMC / Multiplexed NOR Flash—Asynchronous Write—Single Word**

### 6.4.1.3 GPMC/NAND Flash—Asynchronous Mode

Table 6-10 and Table 6-11 assume testing over the recommended operating conditions and electrical characteristic conditions below (see Figure 6-13 through Figure 6-16).

**Table 6-9. GPMC/NAND Flash Timing Conditions—Asynchronous Mode**

TIMING CONDITION PARAMETER		VALUE	UNIT
<b>Input Conditions</b>			
$t_R$	Input signal rise time	1.8	ns
$t_F$	Input signal fall time	1.8	ns
<b>Output Conditions</b>			
$C_{LOAD}$	Output load capacitance <sup>(1)</sup>	16	pF

(1) The load setting of the IO buffer: LB0 = 0.

**Table 6-10. GPMC/NAND Flash Internal Timing Parameters—Asynchronous Mode<sup>(1) (2) (4)</sup>**

NO.	PARAMETER	OPP100		OPP50		UNIT
		MIN	MAX	MIN	MAX	
GNF11	Delay time, output data gpmc_d[15:0] generation from internal functional clock GPMC_FCLK <sup>(3)</sup>		6.5		9.1	ns
GNF12	Delay time, input data gpmc_d[15:0] capture from internal functional clock GPMC_FCLK <sup>(3)</sup>		4.0		5.6	ns
GNF13	Delay time, output chip select gpmc_ncsx generation from internal functional clock GPMC_FCLK <sup>(3)</sup>		6.5		9.1	ns
GNF14	Delay time, output address valid/address latch enable gpmc_nadv_ale generation from internal functional clock GPMC_FCLK <sup>(3)</sup>		6.5		9.1	ns
GNF15	Delay time, output lower-byte enable/command latch enable gpmc_nbe0_cle generation from internal functional clock GPMC_FCLK <sup>(3)</sup>		6.5		9.1	ns
GNF16	Delay time, output enable gpmc_noe generation from internal functional clock GPMC_FCLK <sup>(3)</sup>		6.5		9.1	ns
GNF17	Delay time, output write enable gpmc_nwe generation from internal functional clock GPMC_FCLK <sup>(3)</sup>		6.5		9.1	ns
GNF18	Skew, functional clock GPMC_FCLK <sup>(3)</sup>		100		170	ps

(1) Internal parameters table must be used to calculate data access time stored in the corresponding CS register bit field.

(2) Internal parameters are referred to the GPMC functional internal clock which is not provided externally.

(3) GPMC\_FCLK is general-purpose memory controller internal functional clock.

(4) See Section 4.3.4, *Processor Clocks*.

**Table 6-11. GPMC/NAND Flash Timing Requirements—Asynchronous Mode<sup>(4)</sup>**

NO.	PARAMETER	OPP100		OPP50		UNIT
		MIN	MAX	MIN	MAX	
GNF12 <sup>(1)</sup>	$t_{acc(d)}$ Access time, input data gpmc_d[15:0]		J <sup>(2)</sup>		J <sup>(2)</sup>	ns

(1) The GNF12 parameter illustrates the amount of time required to internally sample input data. It is expressed in number of GPMC functional clock cycles. From start of the read cycle and after GNF12 functional clock cycles, input data is internally sampled by the active functional clock edge. The GNF12 value must be stored inside AccessTime register bit field.

(2)  $J = \text{AccessTime} * (\text{TimeParaGranularity} + 1) * \text{GPMC\_FCLK}^{(3)}$

(3) GPMC\_FCLK is general-purpose memory controller internal functional clock period in ns.

(4) See Section 4.3.4, *Processor Clocks*.

**Table 6-12. GPMC/NAND Flash Switching Characteristics—Asynchronous Mode<sup>(15)</sup>**

NO.	PARAMETER		OPP100		OPP50		UNIT
			MIN	MAX	MIN	MAX	
	$t_{R(d)}$	Rise time, output data gpmc_d[15:0]		2		2	ns
	$t_{F(d)}$	Fall time, output data gpmc_d[15:0]		2		2	ns
GNF0	$t_{w(nweV)}$	Pulse duration, output write enable gpmc_nwe valid	A <sup>(1)</sup>		A <sup>(1)</sup>		ns
GNF1	$t_{d(ncsv-nweV)}$	Delay time, output chip select gpmc_ncsx <sup>(13)</sup> valid to output write enable gpmc_nwe valid	B <sup>(2)</sup> – 0.2	B <sup>(2)</sup> + 2.0	B <sup>(2)</sup> – 0.2	B <sup>(2)</sup> + 2.6	ns
GNF2	$t_{w(cleH-nweV)}$	Delay time, output lower-byte enable/command latch enable gpmc_nbe0_cle high to output write enable gpmc_nwe valid	C <sup>(3)</sup> – 0.2	C <sup>(3)</sup> + 2.0	C <sup>(3)</sup> – 0.2	C <sup>(3)</sup> + 2.6	ns
GNF3	$t_{w(nweV-dV)}$	Delay time, output data gpmc_d[15:0] valid to output write enable gpmc_nwe valid	D <sup>(4)</sup> – 0.2	D <sup>(4)</sup> + 2.0	D <sup>(4)</sup> – 0.2	D <sup>(4)</sup> + 2.6	ns
GNF4	$t_{w(nweIV-dIV)}$	Delay time, output write enable gpmc_nwe invalid to output data gpmc_d[15:0] invalid	E <sup>(5)</sup> – 0.2	E <sup>(5)</sup> + 2.0	E <sup>(5)</sup> – 0.2	E <sup>(5)</sup> + 2.6	ns
GNF5	$t_{w(nweIV-cleIV)}$	Delay time, output write enable gpmc_nwe invalid to output lower-byte enable/command latch enable gpmc_nbe0_cle invalid	F <sup>(6)</sup> – 0.2	F <sup>(6)</sup> + 2.0	F <sup>(6)</sup> – 0.2	F <sup>(6)</sup> + 2.6	ns
GNF6	$t_{w(nweIV-ncsIV)}$	Delay time, output write enable gpmc_nwe invalid to output chip select gpmc_ncsx <sup>(13)</sup> invalid	G <sup>(7)</sup> – 0.2	G <sup>(7)</sup> + 2.0	G <sup>(7)</sup> – 0.2	G <sup>(7)</sup> + 2.6	ns
GNF7	$t_{w(aleH-nweV)}$	Delay time, output address valid/address latch enable gpmc_nadv_ale high to output write enable gpmc_nwe valid	C <sup>(3)</sup> – 0.2	C <sup>(3)</sup> + 2.0	C <sup>(3)</sup> – 0.2	C <sup>(3)</sup> + 2.6	ns
GNF8	$t_{w(nweIV-aleIV)}$	Delay time, output write enable gpmc_nwe invalid to output address valid/address latch enable gpmc_nadv_ale invalid	F <sup>(6)</sup> – 0.2	F <sup>(6)</sup> + 2.0	F <sup>(6)</sup> – 0.2	F <sup>(6)</sup> + 2.6	ns
GNF9	$t_{c(nwe)}$	Cycle time, write	H <sup>(8)</sup>		H <sup>(8)</sup>		ns
GNF10	$t_{d(ncsv-noeV)}$	Delay time, output chip select gpmc_ncsx <sup>(13)</sup> valid to output enable gpmc_noe valid	I <sup>(9)</sup> – 0.2	I <sup>(9)</sup> + 2.0	I <sup>(9)</sup> – 0.2	I <sup>(9)</sup> + 2.6	ns
GNF13	$t_{w(noeV)}$	Pulse duration, output enable gpmc_noe valid	K <sup>(10)</sup>		K <sup>(10)</sup>		ns
GNF14	$t_{c(noe)}$	Cycle time, read	L <sup>(11)</sup>		L <sup>(11)</sup>		ns
GNF15	$t_{w(noeIV-ncsIV)}$	Delay time, output enable gpmc_noe invalid to output chip select gpmc_ncsx <sup>(13)</sup> invalid	M <sup>(12)</sup> – 0.2	M <sup>(12)</sup> + 2.0	M <sup>(12)</sup> – 0.2	M <sup>(12)</sup> + 2.6	ns

(1)  $A = (WEOffTime - WEOnTime) * (TimeParaGranularity + 1) * GPMC\_FCLK^{(14)}$

(2)  $B = ((WEOnTime - CSONTime) * (TimeParaGranularity + 1) + 0.5 * (WEEExtraDelay - CSEExtraDelay)) * GPMC\_FCLK^{(14)}$

(3)  $C = ((WEOnTime - ADVOnTime) * (TimeParaGranularity + 1) + 0.5 * (WEEExtraDelay - ADVExtraDelay)) * GPMC\_FCLK^{(14)}$

(4)  $D = (WEOnTime * (TimeParaGranularity + 1) + 0.5 * WEEExtraDelay) * GPMC\_FCLK^{(14)}$

(5)  $E = ((WrCycleTime - WEOffTime) * (TimeParaGranularity + 1) - 0.5 * WEEExtraDelay) * GPMC\_FCLK^{(14)}$

(6)  $F = ((ADVWrOffTime - WEOffTime) * (TimeParaGranularity + 1) + 0.5 * (ADVExtraDelay - WEEExtraDelay)) * GPMC\_FCLK^{(14)}$

(7)  $G = ((CSWrOffTime - WEOffTime) * (TimeParaGranularity + 1) + 0.5 * (CSEExtraDelay - WEEExtraDelay)) * GPMC\_FCLK^{(14)}$

(8)  $H = WrCycleTime * (1 + TimeParaGranularity) * GPMC\_FCLK^{(14)}$

(9)  $I = ((OEOnTime - CSONTime) * (TimeParaGranularity + 1) + 0.5 * (OEEExtraDelay - CSEExtraDelay)) * GPMC\_FCLK^{(14)}$

(10)  $K = (OEOffTime - OEOnTime) * (1 + TimeParaGranularity) * GPMC\_FCLK^{(14)}$

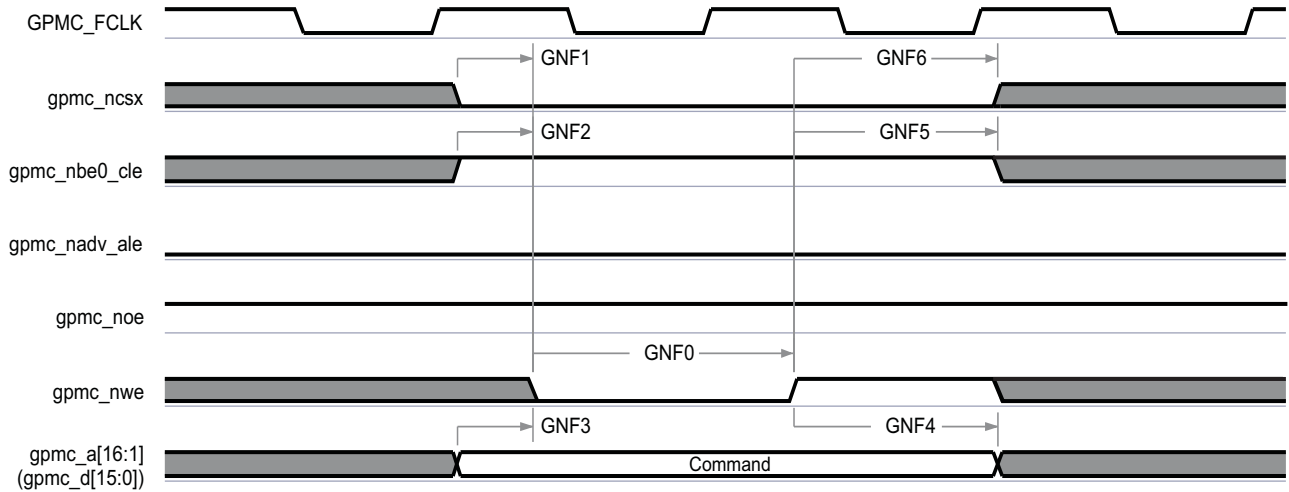
(11)  $L = RdCycleTime * (1 + TimeParaGranularity) * GPMC\_FCLK^{(14)}$

(12)  $M = ((CSRdOffTime - OEOffTime) * (TimeParaGranularity + 1) + 0.5 * (CSEExtraDelay - OEEExtraDelay)) * GPMC\_FCLK^{(14)}$

(13) In gpmc\_ncsx, x is equal to 0, 1, 2, 3, 4, 5, 6, or 7.

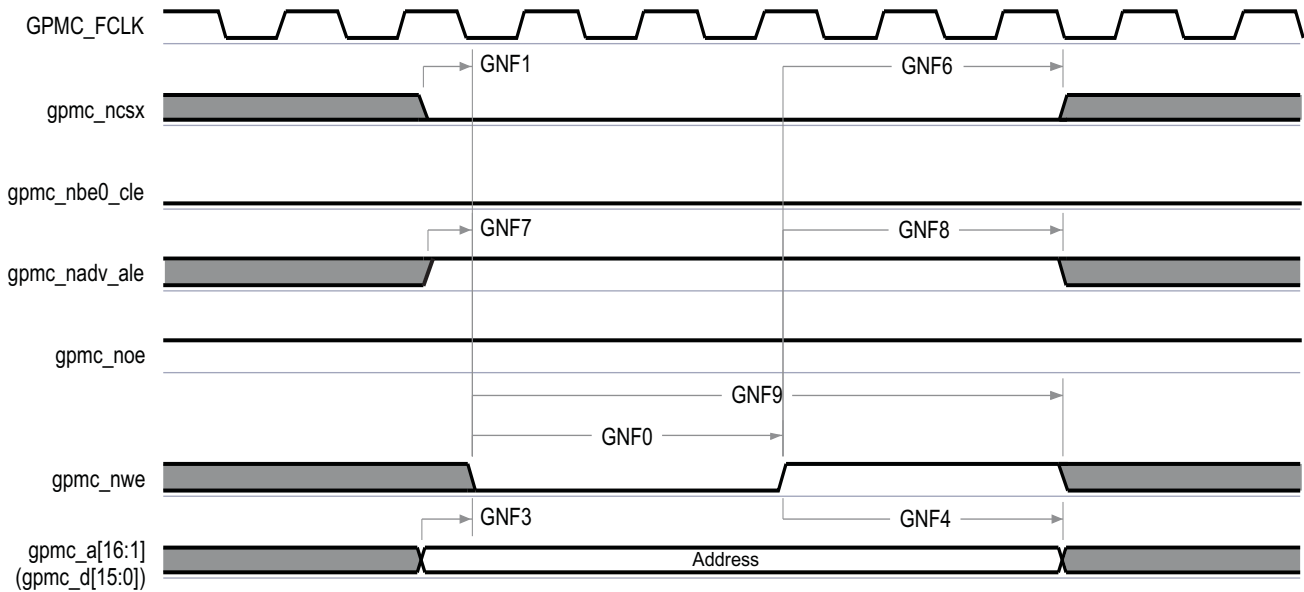
(14) GPMC\_FCLK is general-purpose memory controller internal functional clock period in ns.

(15) See [Section 4.3.4, Processor Clocks](#).



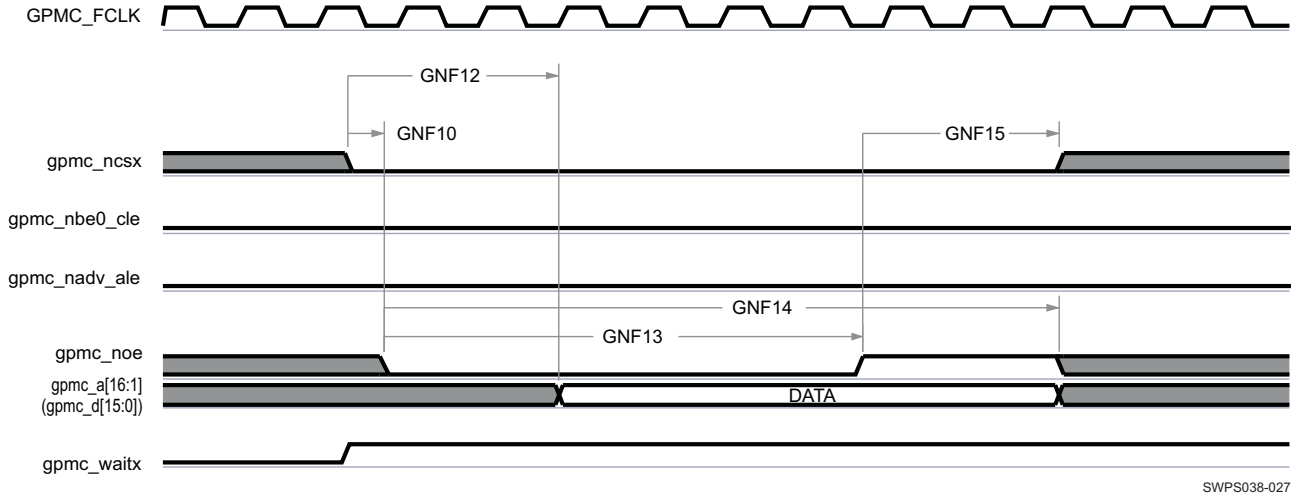
(1) In gpmc\_ncsx, x is equal to 0, 1, 2, 3, 4, 5, 6, or 7.

**Figure 6-13. GPMC / NAND Flash—Command Latch Cycle**



(1) In gpmc\_ncsx, x is equal to 0, 1, 2, 3, 4, 5, 6, or 7.

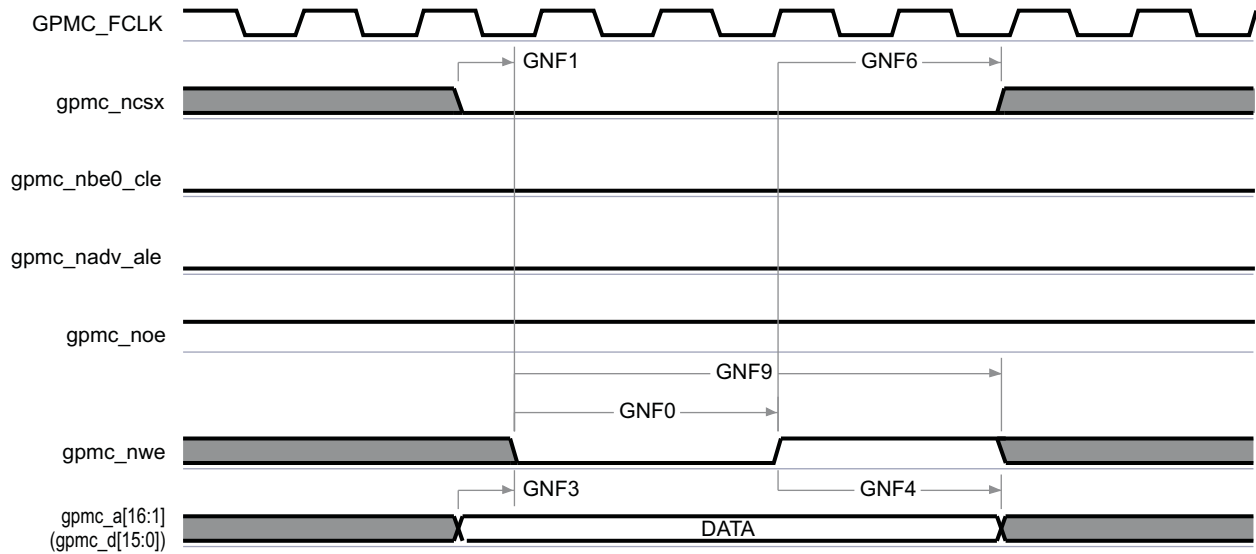
**Figure 6-14. GPMC / NAND Flash—Address Latch Cycle**



SWPS038-027

- (1) GNF12 parameter illustrates amount of time required to internally sample input data. It is expressed in number of GPMC functional clock cycles. From start of read cycle and after GNF12 functional clock cycles, input data will be internally sampled by active functional clock edge. GNF12 value must be stored inside AccessTime register bits field.
- (2) GPMC\_FCLK is an internal clock (GPMC functional clock) not provided externally.
- (3) In gpmc\_ncsx, x is equal to 0, 1, 2, 3, 4, 5, 6, or 7. In gpmc\_waitx, x is equal to 0, 1, 2, or 3.

**Figure 6-15. GPMC / NAND Flash—Data Read Cycle**



SWPS038-028

- (1) In gpmc\_ncsx, x is equal to 0, 1, 2, 3, 4, 5, 6, or 7.

**Figure 6-16. GPMC / NAND Flash—Data Write Cycle**

## 6.4.2 SDRAM Memory Controller (SDRC)

---

### NOTE

For more information, see Memory Subsystem / SDRAM Controller (SDRC) Subsystem section of the *AM/DM37x Multimedia Device Technical Reference Manual* (literature number [SPRUGN4](#)).

---

The SDRAM controller subsystem module provides connectivity between the processor and external DRAM memory components. The module includes support for double-data-rate SDRAM (mobile DDR).

### 6.4.2.1 LPDDR Interface

The LPDDR interface is balled out on the bottom side of the CUS package and on the top side of the POP packages. The LPDDR interface on the top of the POP package has been designed for compatibility any POP LPDDR device with a matching footprint and compliance with the JEDEC LPDDR-266 specification.

This section provides the timing specification for the bottom-side LPDDR interface as a PCB design and manufacturing specification. The design rules constrain PCB trace length, PCB trace skew, signal integrity, cross-talk, and signal timing. These rules, when followed, result in a reliable LPDDR memory system without the need for a complex timing closure process. For more information regarding guidelines for using this LPDDR specification, see the *Understanding TI's PCB Routing Rule-Based DDR Timing Specification* Application Report (literature number [SPRAAV0](#)).

#### 6.4.2.1.1 LPDDR Interface Schematic

[Figure 6-17](#) and [Figure 6-18](#) show the LPDDR interface schematics for a LPDDR memory system. The 1 x16 LPDDR system schematic is identical to [Figure 6-17](#) except that the high word LPDDR device is deleted.

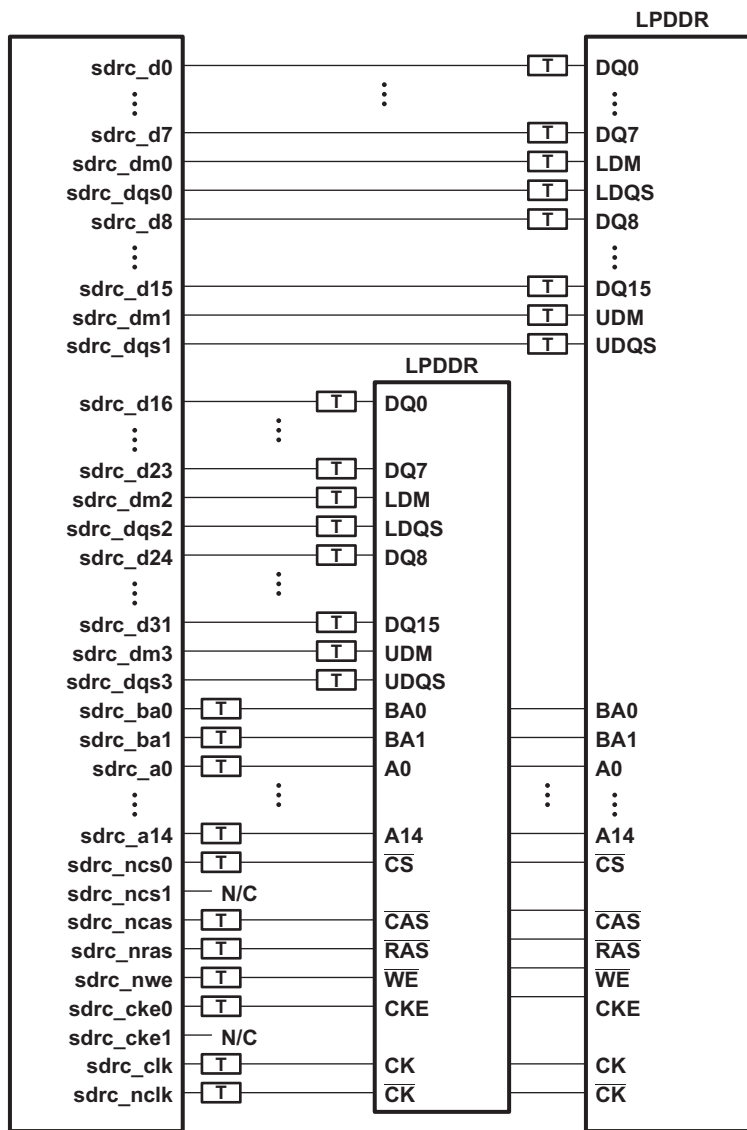


Figure 6-17. DM37x LPDDR High Level Schematic (x16 memories)

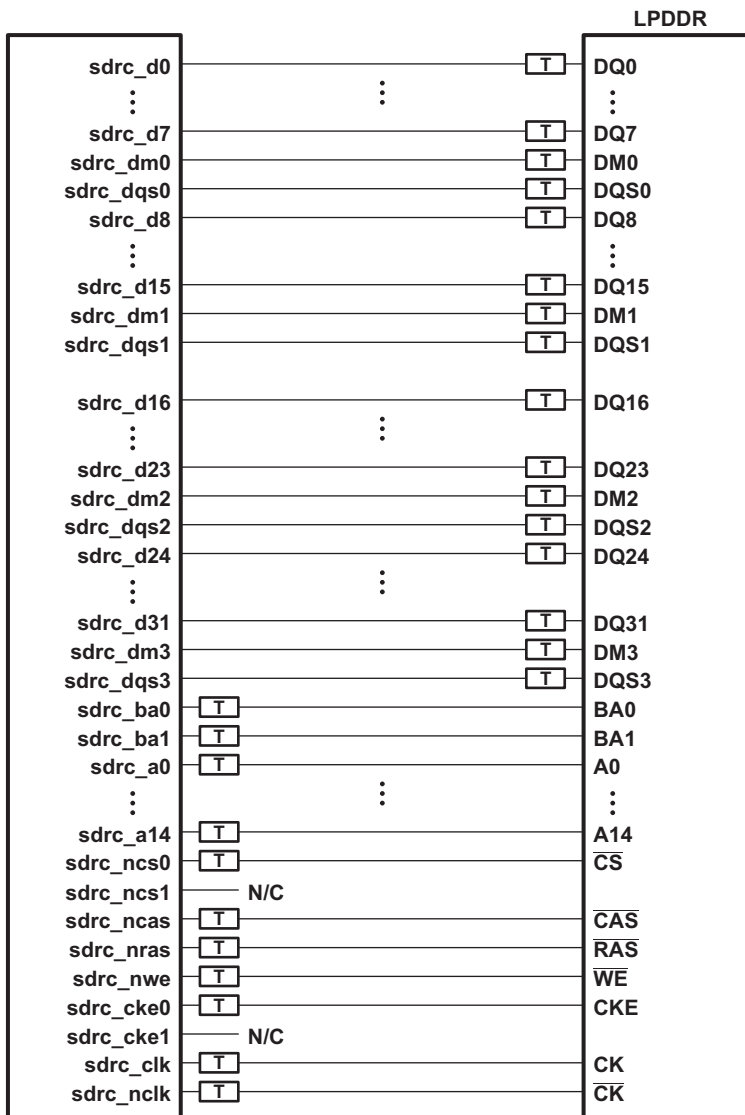


Figure 6-18. DM37x LPDDR High Level Schematic (x32 memory)

6.4.2.1.2 Compatible JEDEC LPDDR Devices

Table 6-13 shows the parameters of the JEDEC LPDDR devices that are compatible with this interface. Generally, the LPDDR interface is compatible with x16 and x32 LPDDR266 and LPDDR333 speed grade LPDDR devices.

Table 6-13. Compatible JEDEC LPDDR Devices

NO.	PARAMETER	MIN	MAX	UNIT	NOTES
1	JEDEC LPDDR Device Speed Grade	LPDDR-266			See Note (1)
2	JEDEC LPDDR Device Bit Width	16	32	Bits	
3	JEDEC LPDDR Device Count	1	2	Devices	See Note (2)
4	JEDEC LPDDR Device Ball Count	60	90	Balls	



- (1) Higher LPDDR speed grades are supported due to inherent JEDEC LPDDR backwards compatibility.
- (2) 1 x16 LPDDR device is used for 16 bit LPDDR memory system. 1x32 or 2x16 LPDDR devices are used for a 32-bit LPDDR memory system.

### 6.4.2.1.3 PCB Stackup

The minimum stackup required for routing the DM37x is a six layer stack as shown in [Table 6-14](#). Additional layers may be added to the PCB stack up to accommodate other circuitry or to reduce the size of the PCB footprint.

**Table 6-14. DM37x Minimum PCB Stack Up**

LAYER	TYPE	DESCRIPTION
1	Signal	Top Routing Mostly Horizontal
2	Plane	Ground
3	Plane	Power
4	Signal	Internal Routing
5	Plane	Ground
6	Signal	Bottom Routing Mostly Vertical

**Table 6-15. PCB Stack Up Specifications <sup>(4)</sup>**

NO.	PARAMETER	MIN	TYP	MAX	UNIT	NOTES
1	PCB Routing/Plane Layers	6				
2	Signal Routing Layers	3				
3	Full ground layers under LPDDR routing region	2				
4	Number of ground plane cuts allowed within LPDDR routing region			0		
5	Number of ground reference planes required for each LPDDR routing 1 layer	1				
6	Number of layers between LPDDR routing layer and reference ground 0 plane			0		
7	PCB Routing Feature Size		4		Mils	
8	PCB Trace Width w		4		Mils	
9	PCB BGA escape via pad size		18		Mils	
10	PCB BGA escape via hole size		8		Mils	
11	Device BGA Pad Size					See Note <sup>(1)</sup>
12	LPDDR Device BGA Pad Size					See Note <sup>(2)</sup>
13	Single Ended Impedance, ZO	50		75	Ω	
14	Impedance Control	Z-5	Z	Z + 5	Ω	See Note <sup>(3)</sup>

(1) See the [Flip Chip Ball Grid Array Package \(SPRU811\)](#) reference guide for device BGA pad size.

(2) See the LPDDR device manufacturer documentation for the LPDDR device BGA pad size.

(3) Z is the nominal singled ended impedance selected for the PCB specified by item 12.

(4) Specific routing guidelines for the CUS package can be found in the [AM37x CUS Routing Guidelines \(SPRABD4\)](#) application note.

### 6.4.2.2 Placement

[Figure 6-19](#) shows the required placement for the DM37x device as well as the LPDDR devices. The dimensions for [Figure 6-19](#) are defined in [Table 6-16](#). The placement does not restrict the side of the PCB that the devices are mounted on. The ultimate purpose of the placement is to limit the maximum trace lengths and allow for proper routing space. For 1x16 and 1x32 LPDDR memory systems, the second LPDDR device is omitted from the placement.

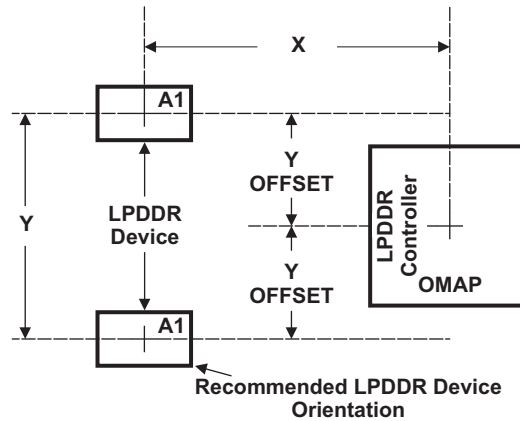


Figure 6-19. DM37xx and LPDDR Device Placement

Table 6-16. Placement Specifications

NO.	PARAMETER	MIN	MAX	UNIT	NOTES
1	X		1440	Mils	See Notes <sup>(1)</sup> , <sup>(2)</sup>
2	Y		1030	Mils	See Notes <sup>(1)</sup> , <sup>(2)</sup>
3	Y Offset		525	Mils	See Notes <sup>(1)</sup> , <sup>(2)</sup> , <sup>(3)</sup>
4	LPDDR Keepout Region				See Note <sup>(4)</sup>
5	Clearance from non-LPDDR signal to LPDDR Keepout Region	4		w	See Note <sup>(5)</sup>

(1) See [Figure 6-17](#) for dimension definitions.

(2) Measurements from center of device to center of LPDDR device.

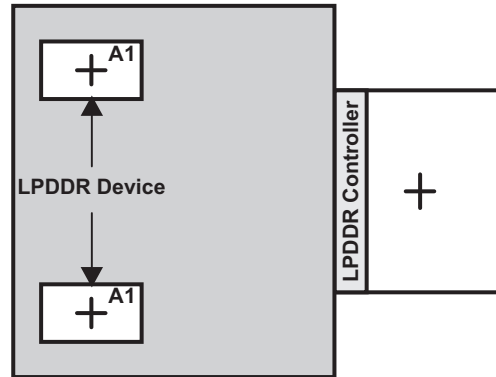
(3) For 16 bit memory systems it is recommended that Y Offset be as small as possible.

(4) LPDDR keepout region to encompass entire LPDDR routing area.

(5) Non-LPDDR signals allowed within LPDDR keepout region provided they are separated from LPDDR routing layers by a ground plane.

### 6.4.2.3 LPDDR Keep Out Region

The region of the PCB used for the LPDDR circuitry must be isolated from other signals. The LPDDR keep out region is defined for this purpose and is shown in [Figure 6-20](#). The size of this region varies with the placement and LPDDR routing. Additional clearances required for the keep out region are shown in [Table 6-16](#).



Region should encompass all LPDDR circuitry and varies depending on placement. Non-LPDDR signals should not be routed on the LPDDR signal layers within the LPDDR keep out region. Non-LPDDR signals may be routed in the region provided they are routed on layers separated from LPDDR signal layers by a ground layer. No breaks should be allowed in the reference ground layers in this region. In addition, the 1.8 V power plane should cover the entire keep out region.

Figure 6-20. LPDDR Keepout Region

6.4.2.4 Net Classes

Table 6-17 lists the clock net classes for the LPDDR interface. Table 6-18 lists the signal net classes, and associated clock net classes, for the signals in the LPDDR interface. These net classes are used for the termination and routing rules that follow.

Table 6-17. Clock Net Class Definitions

CLOCK NET CLASS	PIN NAMES
CK	sdrc_clk/sdrc_nclk
DQS0	sdrc_dqs0
DQS1	sdrc_dqs1
DQS2	sdrc_dqs2
DQS3	sdrc_dqs3

Table 6-18. Signal Net Class Definitions

CLOCK NET CLASS	ASSOCIATED CLOCK NET CLASS	PIN NAMES
ADDR_CTRL	CK	sdrc_ba[1:0], sdrc_a[14:0], sdrc_ncs[1:0], sdrc_ncas, sdrc_nras, sdrc_nwe, sdrc_cke[1:0]
DQ0	DQS0	sdrc_d[7:0], sdrc_dm0
DQ1	DQS1	sdrc_d[15:8], sdrc_dm1
DQ2	DQS2	sdrc_d[23:16], sdrc_dm2
DQ3	DQS3	sdrc_d[31:24], sdrc_dm3

6.4.2.5 LPDDR Signal Termination

No terminations of any kind are required in order to meet signal integrity and overshoot requirements. Serial terminators are permitted, if desired, to reduce EMI risk; however, serial terminations are the only type permitted. Table 6-19 shows the specifications for the series terminators.

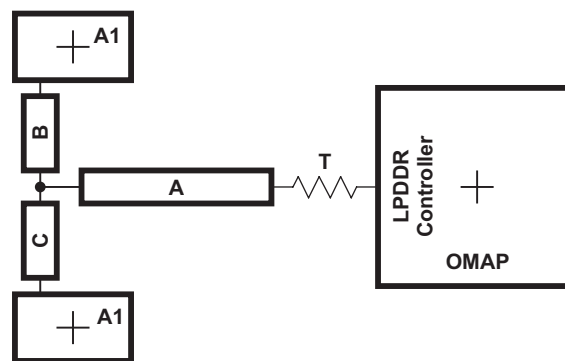
**Table 6-19. LPDDR Signal Terminations**

NO.	PARAMETER	MIN	TYP	MAX	UNIT	NOTES
1	CK Net Class	0		10	$\Omega$	See Note <sup>(1)</sup>
2	ADDR_CTRL Net Class	0	22	Zo	$\Omega$	See Notes <sup>(1),(2),(3)</sup>
3	Data Byte Net Classes (DQS0-DQS3, DQ0-DQ3)	0	22	Zo	$\Omega$	See Notes <sup>(1),(2),(3)</sup>

- (1) Only series termination is permitted, parallel or SST specifically disallowed.  
(2) Terminator values larger than typical only recommended to address EMI issues.  
(3) Termination value should be uniform across net class.

#### 6.4.2.6 LPDDR CK and ADDR\_CTRL Routing

Figure 6-21 shows the topology of the routing for the CK and ADDR\_CTRL net classes. The route is a balanced T as it is intended that the length of segments B and C be equal. In addition, the length of A should be maximized.

**Figure 6-21. CK and ADDR\_CTRL Routing and Topology****Table 6-20. CK and ADDR\_CTRL Routing Specification<sup>(5)</sup>**

NO.	PARAMETER	MIN	TYP	MAX	UNIT	NOTES
1	Center to Center CK-CK spacing			2w		
2	CK Differential Pair Skew Length Mismatch <sup>(4)</sup>			25	Mils	See Note <sup>(1)</sup>
3	CK B to C Skew Length Mismatch			25	Mils	
4	Center to Center CK to other LPDDR trace spacing	4w				See Note <sup>(2)</sup>
5	CK/ADDR_CTRL nominal trace length	CACLM-50	CACLM	CACLM+50	Mils	See Note <sup>(3)</sup>
6	ADDR_CTRL to CK Skew Length Mismatch			100	Mils	
7	ADDR_CTRL to ADDR_CTRL Skew Length Mismatch			100	Mils	
8	Center to Center ADDR_CTRL to other LPDDR trace spacing	4w				See Note <sup>(2)</sup>
9	Center to Center ADDR_CTRL to other ADDR_CTRL trace spacing	3w				See Note <sup>(2)</sup>
10	ADDR_CTRL A to B, ADDR_CTRL A to C Skew Length Mismatch			100	Mils	See Note <sup>(1)</sup>
11	ADDR_CTRL B to C Skew Length Mismatch			100	Mils	

- (1) Series terminator, if used, should be located closest to DM37x.  
(2) Center to center spacing is allowed to fall to minimum (w) for up to 500 mils of routed length to accommodate BGA escape and routing congestion.  
(3) CACLM is the longest Manhattan distance of the CK and ADDR\_CTRL net classes.  
(4) Differential impedance should be 100 ohms.  
(5) Specific routing guidelines for the CUS package can be found in the [AM37x CUS Routing Guidelines \(SPRABD4\)](#) application note.

Figure 6-22 shows the topology and routing for the DQS and DQ net classes; the routes are point to point. Skew matching across bytes is not needed nor recommended.

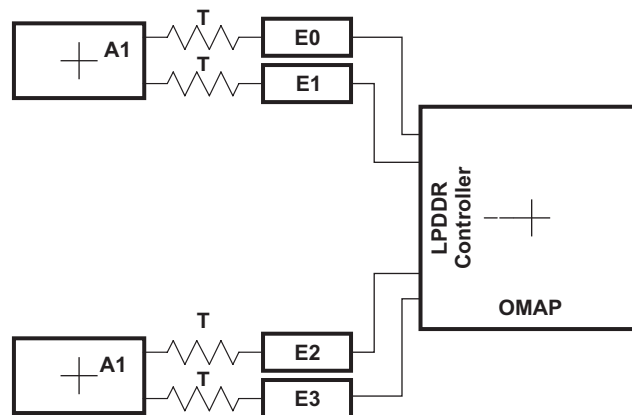


Figure 6-22. DQS and DQ Routing and Topology

Table 6-21. DQS and DQ Routing Specification<sup>(1) (6)</sup>

PARAMETER	MIN	TYP	MAX	UNIT	NOTES
DQS E Skew Length Mismatch			25	Mils	
Center to Center DQS to other LPDDR trace spacing	4w				See Note <sup>(2)</sup>
DQS/DQ nominal trace length	DQLM - 50	DQLM	DQLM + 50	Mils	See Note <sup>(2)</sup>
DQ to DQS Skew Length Mismatch			100	Mils	See Note <sup>(4)</sup>
DQ to DQ Skew Length Mismatch			100	Mils	See Note <sup>(4)</sup>
Center to Center DQ to other LPDDR trace spacing	4w				See Note <sup>(5)</sup>
Center to Center DQ to other DQ trace spacing	3w				See Note <sup>(2), (3)</sup>
DQ E Skew Length Mismatch			100	Mils	

- (1) Series terminator, if used, should be located closest to LPDDR.
- (2) Center to center spacing is allowed to fall to minimum (w) for up to 500 mils of routed length to accommodate BGA escape and routing congestion.
- (3) DQLM is the longest Manhattan distance of the DQS and DQ net classes.
- (4) There is no need, and it is not recommended, to skew match across data bytes. This specification is only relative within a data byte.
- (5) DQs from other bytes are considered *other* LPDDR traces.
- (6) Specific routing guidelines for the CUS package can be found in the [AM37x CUS Routing Guidelines \(SPRABD4\)](#) application note.

## 6.5 Multimedia Interfaces

### 6.5.1 Camera ISP2P Interface

#### NOTE

For more information, see Camera ISP chapter of the *AM/DM37x Multimedia Device Technical Reference Manual* (literature number [SPRUGN4](#)).

The camera subsystem provides the system interfaces and the processing capability to connect raw, YUV or JPEG image sensor modules to the device for video-preview, video-record and still-image-capture applications.

The camera ISP2P subsystem supports up to two simultaneous pixel flows but only one of them can use the video processing hardware:

- Parallel camera interface + Serial camera interface: one interface data goes through the video processing hardware. The other interface data goes directly to memory
- Serial camera interface + Serial camera interface: one serial interface data goes through the video processing hardware. The other serial interface data goes directly to memory.

The camera ISP2P subsystem supports different camera configurations:

- 10-bit Parallel interface
- 12-bit Parallel interface
- 12-bit Parallel interface

**Note:** For more information, see the Camera ISP / Camera ISP Environment / Camera ISP Connectivity Schemes section of the *AM/DM37x Multimedia Device Technical Reference Manual* (literature number [SPRUGN4](#)).

#### 6.5.1.1 Camera Output Clocks (cam\_xclka and cam\_xclkb)

**Table 6-22. ISP2P cam\_xclka and cam\_xclkb Output Clocks Switching Characteristics**

NO.	PARAMETER		OPP100		OPP50		UNIT
			MIN	MAX	MIN	MAX	
ISP15	$1 / t_{c(xclk)}$	Frequency <sup>(1)</sup> , output clock cam_xclkn <sup>(4)</sup>		216		216	MHz
ISP16	$t_{w(xclkH)}$	Typical pulse duration, output clock cam_xclkn <sup>(4)</sup> high	0.5P <sup>(2)</sup>		0.5P <sup>(2)</sup>		ns
ISP16	$t_{w(xclkL)}$	Typical pulse duration, output clock cam_xclkn <sup>(4)</sup> low	0.5P <sup>(2)</sup>		0.5P <sup>(2)</sup>		ns
	$t_{dc(xclk)}$	Duty cycle error, output clock cam_xclkn <sup>(4)</sup>		$0.5 * P^{(2)} - 2.083$		$0.5 * P^{(2)} - 2.083$	ps
	$t_{j(xclk)}$	Cycle jitter <sup>(3)</sup> , output clock cam_xclkn <sup>(4)</sup>		$0.044 * P^{(2)}$		$0.044 * P^{(2)}$	ps
	$t_{R(xclk)}$	Rise time, output clock cam_xclkn <sup>(4)</sup>		0.93		0.93	ns
	$t_{F(xclk)}$	Fall time, output clock cam_xclkn <sup>(4)</sup>		0.93		0.93	ns

(1) Related with the cam\_xclkn<sup>(4)</sup> maximum and minimum frequencies programmable in the ISP module.

**NOTE:** You must disable the camera sensor or the camera module to change the frequency configuration. For more information, see the *AM/DM37x Multimedia Device Technical Reference Manual* (literature number [SPRUGN4](#)).

(2) P = cam\_xclkn<sup>(4)</sup> period in ns

(3) Maximum cycle jitter supported by cam\_xclka and cam\_xclkb output clocks.

(4) In cam\_xclkn, n is equal to a or b.

## 6.5.1.2 Parallel Camera Interface (CPI)

### 6.5.1.2.1 CPI—Video and Graphics Digitizer 1.8V Mode

The imaging subsystem deals with the processing of the pixel data coming from an external image sensor or from video and graphics digitizer. It is a key component for the following multimedia applications: video preview, camera viewfinder, video record and still image capture. It supports RAW, RGB, and YUV data processing.

Table 6-24 assumes testing over the recommended operating conditions and electrical characteristic conditions below (see Figure 6-23 and Figure 6-24).

**Table 6-23. CPI Timing Conditions—Video and Graphics Digitizer 1.8-V Mode**

TIMING CONDITION PARAMETER		VALUE		UNIT
		MIN	MAX	
<b>Input Conditions</b>				
$t_R$	Input signal rise time	80	1800	ps
$t_F$	Input signal fall time	80	1800	ps

**Table 6-24. CPI Timing Requirements—Video and Graphics Digitizer 1.8-V Mode<sup>(4) (6)</sup>**

NO.	PARAMETER		OPP100		UNIT
			MIN	MAX	
ISP1	$1 / t_{c(pclk)}$	Frequency <sup>(1)</sup> , input pixel clock cam_pclk		148.5	MHz
ISP2	$t_{w(pclkL)}$	Typical pulse duration, input pixel clock cam_pclk low	0.5P <sup>(2)</sup>		ns
ISP3	$t_{w(pclkH)}$	Typical pulse duration, input pixel clock cam_pclk high	0.5P <sup>(2)</sup>		ns
	$t_{dc(pclk)}$	Duty cycle error, input pixel clock cam_pclk		0.5*P <sup>(2)</sup> - 3.247	ns
	$t_{j(pclk)}$	Cycle jitter <sup>(3)</sup> , input pixel clock cam_pclk		0.06P <sup>(2)</sup>	ns
ISP4	$t_{su(vsV-pclkH)}$	Setup time, input vertical synchronization cam_vs valid before input pixel clock cam_pclk rising/falling edge	0.75		ns
ISP5	$t_{h(pclkH-vsV)}$	Hold time, input vertical synchronization cam_vs valid after input pixel clock cam_pclk rising/falling edge	0.96		ns
ISP6	$t_{su(hsV-pclkH)}$	Setup time, input horizontal synchronization cam_hs valid before input pixel clock cam_pclk rising/falling edge	0.75		ns
ISP7	$t_{h(pclkH-hsV)}$	Hold time, input horizontal synchronization cam_hs valid after input pixel clock cam_pclk rising/falling edge	0.96		ns
ISP8	$t_{su(dV-pclkH)}$	Setup time, input data cam_d[n:0] <sup>(5)</sup> valid before input pixel clock cam_pclk rising/falling edge	0.75		ns
ISP9	$t_{h(pclkH-dV)}$	Hold time, input data cam_d[n:0] <sup>(5)</sup> valid after input pixel clock cam_pclk rising/falling edge	0.96		ns
ISP10	$t_{su(wenV-pclkH)}$	Setup time, input write enable cam_wen valid before input pixel clock cam_pclk rising/falling edge	0.75		ns
ISP11	$t_{h(pclkH-wenV)}$	Hold time, input write enable cam_wen valid after input pixel clock cam_pclk rising/falling edge	0.96		ns
ISP12	$t_{su(fldV-pclkH)}$	Setup time, input field identification cam_fld valid before input pixel clock cam_pclk rising/falling edge	0.75		ns
ISP13	$t_{h(pclkH-fldV)}$	Hold time, input field identification cam_fld valid after input pixel clock cam_pclk rising/falling edge	0.96		ns

(1) Related with the input maximum frequency supported by the ISP module in 8-bit mode with 8 to 16 data bits conversion bridge enabled.

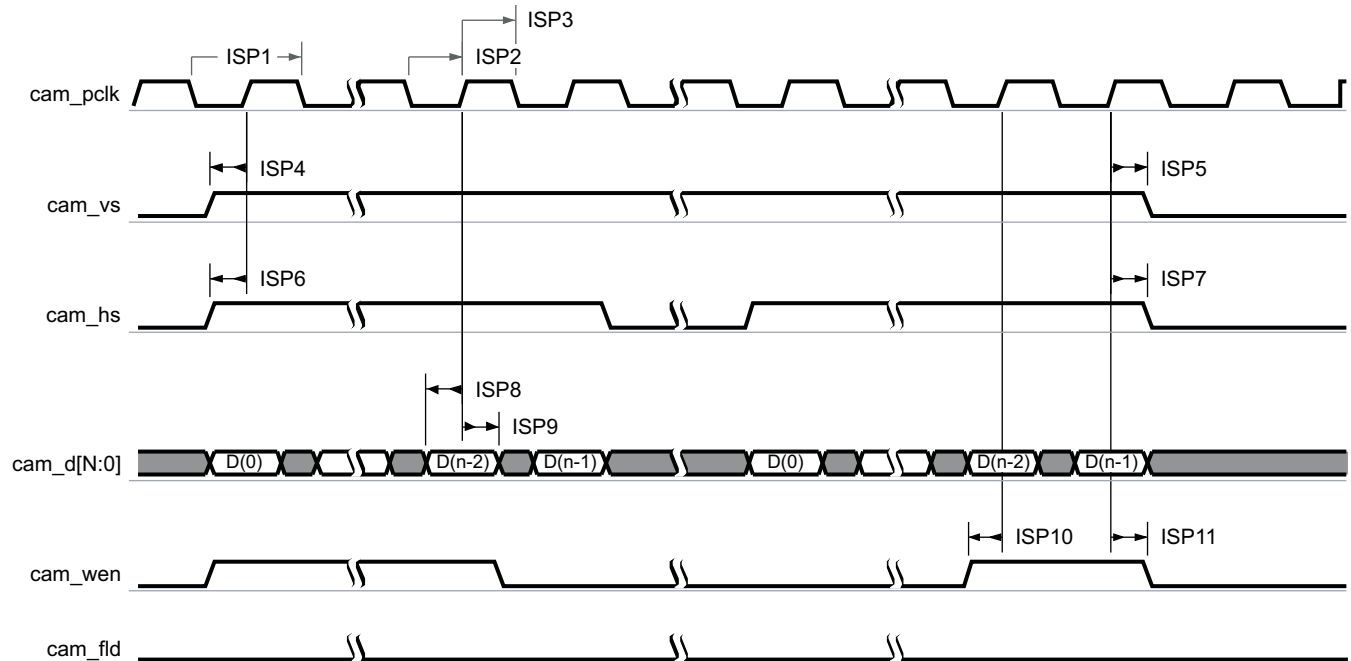
(2) P = cam\_pclk period in ns

(3) Maximum cycle jitter supported by cam\_pclk input clock

(4) The timing requirements are assured up to the cycle jitter and duty cycle error conditions specified.

(5) n = 11 (Data bus size is limited to 8 bits. So the bits configuration is either cam\_d[7:0] or cam\_d[11:4]). Lines not connected must be tied low.

(6) See Section 4.3.4, Processor Clocks.

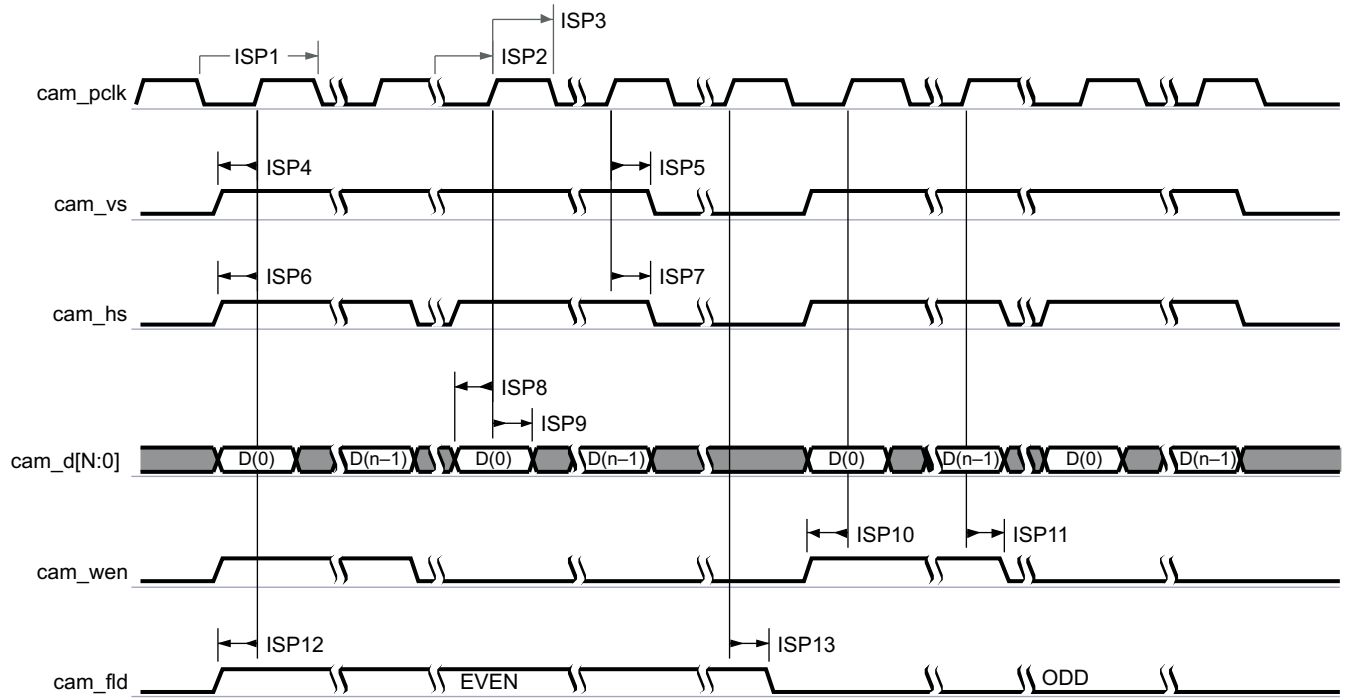


SWPS038-048

- (1) The polarity of `cam_pclk`, `cam_fld`, `cam_vs`, and `cam_hs` are software configurable. Optionally, the `cam_wen` signal can be used as an external memory write-enable signal. For further details, see the *AM/DM37x Multimedia Device Technical Reference Manual* (literature number [SPRUGN4](#)).
- (2)  $N = 11$  (Data bus size is limited to 8 bits. So the bits configuration is either `cam_d[7:0]` or `cam_d[11:4]`). When the number of data lines is less than `cam_d[N:0]`, data lines can be connected to the upper or lower lines of `cam_d[N:0]`. Lines not connected must be tied low. For more information about video port mapping, see the *AM/DM37x Multimedia Device Technical Reference Manual* (literature number [SPRUGN4](#)).

**Figure 6-23. CPI—Video and Graphics Digitizer—1.8-V Progressive Mode**





SWPS038-049

- (1) The polarity of cam\_pclk, cam\_fld, cam\_vs, and cam\_hs are software configurable. Optionally, the cam\_wen signal can be used as an external memory write-enable signal. For further details, see the *AM/DM37x Multimedia Device Technical Reference Manual* (literature number [SPRUGN4](#)).
- (2) N = 11 (Data bus size is limited to 8 bits. So the bits configuration is either cam\_d[7:0] or cam\_d[11:4]). When the number of data lines is less than cam\_d[N:0], data lines can be connected to the upper or lower lines of cam\_d[N:0]. Lines not connected must be tied low. For more information about video port mapping, see the *AM/DM37x Multimedia Device Technical Reference Manual* (literature number [SPRUGN4](#)).

**Figure 6-24. CPI—Video and Graphics Digitizer—1.8-V Interlaced Mode**

### 6.5.1.2.2 CPI—12-Bit SYNC Normal Progressive Mode

Table 6-26 assumes testing over the recommended operating conditions and electrical characteristic conditions below (see Figure 6-25).

**Table 6-25. CPI Timing Conditions—12-Bit SYNC Normal Progressive Mode<sup>(1)</sup>**

TIMING CONDITION PARAMETER		VALUE	UNIT
<b>Input Conditions</b>			
t <sub>R</sub>	Input signal rise time	2.7	ns
t <sub>F</sub>	Input signal fall time	2.7	ns
<b>Output Condition</b>			
C <sub>LOAD</sub>	Output load capacitance	8.6	pF

(1) The load setting of the IO buffer: LB0 = 1.

**Table 6-26. CPI Timing Requirements—12-Bit SYNC Normal Progressive Mode<sup>(4) (5)</sup>**

NO.	PARAMETER		OPP100		OPP50		UNIT
			MIN	MAX	MIN	MAX	
ISP17	$1 / t_{c(\text{pclk})}$	Frequency <sup>(1)</sup> , input pixel clock cam_pclk		75		45	MHz
ISP18	$t_{w(\text{pclkH})}$	Typical pulse duration, input pixel clock cam_pclk high	0.5P <sup>(2)</sup>		0.5P <sup>(2)</sup>		ns
ISP18	$t_{w(\text{pclkL})}$	Typical pulse duration, input pixel clock cam_pclk low	0.5P <sup>(2)</sup>		0.5P <sup>(2)</sup>		ns
	$t_{dc(\text{pclk})}$	Duty cycle error, input pixel clock cam_pclk		0.5P <sup>(2)</sup> - 3.465		0.5P <sup>(2)</sup> - 6.93	ns
	$t_{j(\text{pclk})}$	Cycle jitter <sup>(3)</sup> , input pixel clock cam_pclk		0.0649*P <sup>(2)</sup>		0.0649*P <sup>(2)</sup>	ns
ISP19	$t_{su(dV\text{-pclkH})}$	Setup time, input data cam_d[11:0] valid before input pixel clock cam_pclk rising edge	1.82		3.25		ns
ISP20	$t_{h(\text{pclkH-dV})}$	Hold time, input data cam_d[11:0] valid after input pixel clock cam_pclk rising edge	1.82		3.25		ns
ISP21	$t_{su(dV\text{-vsH})}$	Setup time, input vertical synchronization cam_vs valid before input pixel clock cam_pclk rising edge	1.82		3.25		ns
ISP22	$t_{h(\text{pclkH-vsV})}$	Hold time, input vertical synchronization cam_vs valid after input pixel clock cam_pclk rising edge	1.82		3.25		ns
ISP23	$t_{su(dV\text{-hsH})}$	Setup time, input horizontal synchronization cam_hs valid before input pixel clock cam_pclk rising edge	1.82		3.25		ns
ISP24	$t_{h(\text{pclkH-hsV})}$	Hold time, input horizontal synchronization cam_hs valid after input pixel clock cam_pclk rising edge	1.82		3.25		ns
ISP25	$t_{su(dV\text{-hsH})}$	Setup time, input write enable cam_wen valid before input pixel clock cam_pclk rising edge	1.82		3.25		ns
ISP26	$t_{h(\text{pclkH-hsV})}$	Hold time, input write enable cam_wen valid after input pixel clock cam_pclk rising edge	1.82		3.25		ns

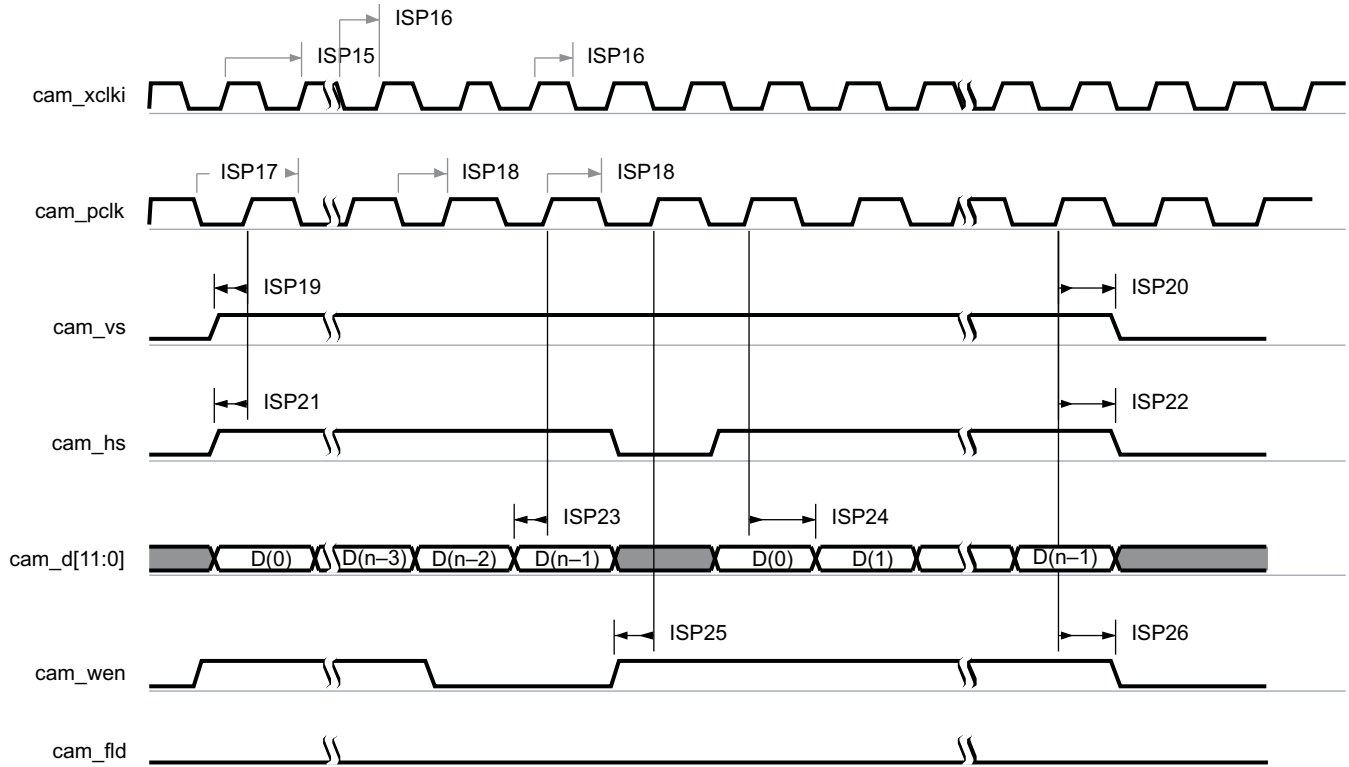
(1) Related with the input maximum frequency supported by the ISP module.

(2) P = cam\_pclk period in ns

(3) Maximum cycle jitter supported by cam\_pclk input clock.

(4) The timing requirements are assured up to the cycle jitter and duty cycle error conditions specified.

(5) See [Section 4.3.4, Processor Clocks](#).



SWPS038-050

- (1) The polarity of cam\_pclk, cam\_fld, cam\_vs, and cam\_hs are configurable. If the cam\_hs, cam\_vs, and cam\_fld signals are output, the signal length can be set.
- (2) The parallel camera in SYNC mode supports progressive image sensor modules and 8-, 10-, 11-, or 12-bit data.
- (3) When the image sensor has fewer than 12 data lines, it must be connected to the lower data lines and the unused lines must be grounded.
- (4) However, it is possible to shift the data to 0, 2, or 4 data internal lanes.
- (5) The bit configurations are: cam\_d[11:4] or cam\_d[7:0] in 8-bit mode, cam\_d[11:2] or cam\_d[9:0] in 10-bit mode, cam\_d[10:0] in 11-bit mode and cam\_d[11:0] in 12-bit mode.
- (6) Optionally, the data write to memory can be qualified by the external cam\_wen signal.
- (7) The cam\_wen signal can be used as an external memory write-enable signal. The data is stored to memory only if cam\_hs, cam\_vs, and cam\_wen signals are asserted.
- (8) In cam\_xclki, i can be equal to a or b. See Table 6-22 for ISP15 and ISP16 parameters.

Figure 6-25. CPI—12-Bit SYNC Normal Progressive Mode

### 6.5.1.2.3 CPI—8-Bit SYNC Packed Progressive Mode

Table 6-28 assumes testing over the recommended operating conditions and electrical characteristic conditions below (see Figure 6-26).

Table 6-27. CPI Timing Conditions—8-Bit SYNC Packed Progressive Mode<sup>(1)</sup>

TIMING CONDITION PARAMETER		VALUE	UNIT
<b>Input Conditions</b>			
t <sub>R</sub>	Input signal rise time	2.5	ns
t <sub>F</sub>	Input signal fall time	2.5	ns
<b>Output Condition</b>			
C <sub>LOAD</sub>	Output load capacitance	8.6	pF

(1) The load setting of the IO buffer: LB0 = 1.

**Table 6-28. CPI Timing Requirements—8-Bit SYNC Packed Progressive Mode<sup>(4) (5)</sup>**

NO.	PARAMETER		OPP100		OPP50		UNIT
			MIN	MAX	MIN	MAX	
ISP3	$1 / t_{c(pclk)}$	Frequency <sup>(1)</sup> , input pixel clock cam_pclk		130		65	MHz
ISP4	$t_{w(pclkH)}$	Typical pulse duration, input pixel clock cam_pclk high	$0.5 * P^{(2)}$		$0.5 * P^{(2)}$		ns
ISP4	$t_{w(pclkL)}$	Typical pulse duration, input pixel clock cam_pclk low	$0.5 * P^{(2)}$		$0.5 * P^{(2)}$		ns
	$t_{dc(pclk)}$	Duty cycle error, input pixel clock cam_pclk		$0.5 * P^{(2)} - 3.465$		$0.5 * P^{(2)} - 6.93$	ns
	$t_{j(pclk)}$	Cycle jitter <sup>(3)</sup> , input pixel clock cam_pclk		$0.0649 * P^{(2)}$		$0.0649 * P^{(2)}$	ns
ISP5	$t_{su(dV-pclkH)}$	Setup time, input data cam_d[7:0] valid before input pixel clock cam_pclk rising edge	1.08		2.27		ns
ISP6	$t_{h(pclkH-dV)}$	Hold time, input data cam_d[7:0] valid after input pixel clock cam_pclk rising edge	1.08		2.27		ns
ISP7	$t_{su(dV-vsH)}$	Setup time, input vertical synchronization cam_vs valid before input pixel clock cam_pclk rising edge	1.08		2.27		ns
ISP8	$t_{h(pclkH-vsV)}$	Hold time, input vertical synchronization cam_vs valid after input pixel clock cam_pclk rising edge	1.08		2.27		ns
ISP9	$t_{su(dV-hsH)}$	Setup time, input horizontal synchronization cam_hs valid before input pixel clock cam_pclk rising edge	1.08		2.27		ns
ISP10	$t_{h(pclkH-hsV)}$	Hold time, input horizontal synchronization cam_hs valid after input pixel clock cam_pclk rising edge	1.08		2.27		ns
ISP11	$t_{su(dV-hsH)}$	Setup time, input write enable cam_wen valid before input pixel clock cam_pclk rising edge	1.08		2.27		ns
ISP12	$t_{h(pclkH-hsV)}$	Hold time, input write enable cam_wen valid after input pixel clock cam_pclk rising edge	1.08		2.27		ns

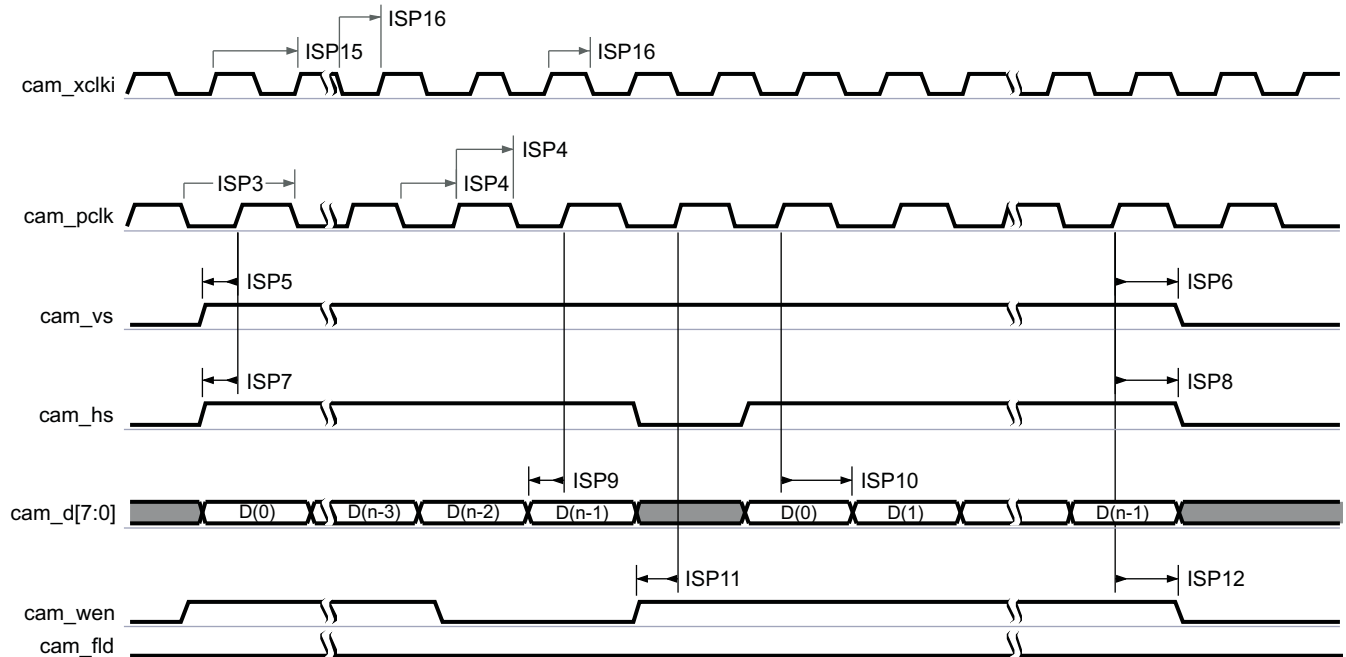
(1) Related with the input maximum frequency supported by the ISP module.

(2) P = cam\_pclk period in ns

(3) Maximum cycle jitter supported by cam\_pclk input clock.

(4) The timing requirements are assured up to the cycle jitter and duty cycle error conditions specified.

(5) See [Section 4.3.4, Processor Clocks](#).



SWPS038-051

- (1) The polarity of cam\_pclk, cam\_fld, cam\_vs, and cam\_hs are configurable.
- (2) The image sensor is connected to the lower data lines and the unused lines are grounded. However, it is possible to shift the data to 0, 2, or 4 data internal lanes. The bit configurations are: cam\_d[11:4] or cam\_d[7:0] in 8-bit packed mode.
- (3) Optionally, the data write to memory can be qualified by the external cam\_wen signal. The cam\_wen signal can be used as an external memory write-enable signal. The data is stored to memory only if cam\_hs, cam\_vs, and cam\_wen signals are asserted. The polarity of cam\_fld is programmable.
- (4) The camera module can pack 8-bit data into 16 bits. It doubles the maximum pixel clock. This mode can be particularly useful to transfer an YCbCr data stream or compressed stream to memory at very high speed.
- (5) In cam\_xclki, i can be equal to a or b. See [Table 6-22](#) for ISP15 and ISP16 parameters.

**Figure 6-26. CPI—8-Bit SYNC Packed Progressive Mode**

#### 6.5.1.2.4 CPI—12-Bit SYNC Normal Interlaced Mode

[Table 6-30](#) assumes testing over the recommended operating conditions and electrical characteristic conditions below (see [Figure 6-27](#)).

**Table 6-29. CPI Timing Conditions—12-Bit SYNC Normal Interlaced Mode**

TIMING CONDITION PARAMETER		VALUE	UNIT
<b>Input Conditions</b>			
$t_R$	Input signal rise time	2.7	ns
$t_F$	Input signal fall time	2.7	ns
<b>Output Condition</b>			
$C_{LOAD}$	Output load capacitance <sup>(1)</sup>	8.6	pF

(1) The load setting of the IO buffer: LB0 = 1.

**Table 6-30. CPI Timing Requirements—12-Bit SYNC Normal Interlaced Mode<sup>(4) (5)</sup>**

NO.	PARAMETER		OPP100		OPP50		UNIT
			MIN	MAX	MIN	MAX	
ISP17	$1 / t_{c(\text{pclk})}$	Frequency <sup>(1)</sup> , input pixel clock cam_pclk		75		45	MHz
ISP18	$t_{w(\text{pclkH})}$	Typical pulse duration, input pixel clock cam_pclk high	0.5P <sup>(2)</sup>		0.5P <sup>(2)</sup>		ns
ISP18	$t_{w(\text{pclkL})}$	Typical pulse duration, input pixel clock cam_pclk low	0.5P <sup>(2)</sup>		0.5P <sup>(2)</sup>		ns
	$t_{dc(\text{pclk})}$	Duty cycle error, input pixel clock cam_pclk		0.5*P <sup>(2)</sup> - 3.465		0.5*P <sup>(2)</sup> - 6.93	ns
	$t_{j(\text{pclk})}$	Cycle jitter <sup>(3)</sup> , input pixel clock cam_pclk		0.0649*P <sup>(2)</sup>		0.0649*P <sup>(2)</sup>	ns
ISP19	$t_{su(dV\text{-pclkH})}$	Setup time, input data cam_d[11:0] valid before input pixel clock cam_pclk rising edge	1.82		3.25		ns
ISP20	$t_{h(\text{pclkH-dV})}$	Hold time, input data cam_d[11:0] valid after input pixel clock cam_pclk rising edge	1.82		3.25		ns
ISP21	$t_{su(dV\text{-vsH})}$	Setup time, input vertical synchronization cam_vs valid before input pixel clock cam_pclk rising edge	1.82		3.25		ns
ISP22	$t_{h(\text{pclkH-vsV})}$	Hold time, input vertical synchronization cam_vs valid after input pixel clock cam_pclk rising edge	1.82		3.25		ns
ISP23	$t_{su(dV\text{-hsH})}$	Setup time, input horizontal synchronization cam_hs valid before input pixel clock cam_pclk rising edge	1.82		3.25		ns
ISP24	$t_{h(\text{pclkH-hsV})}$	Hold time, input horizontal synchronization cam_hs valid after input pixel clock cam_pclk rising edge	1.82		3.25		ns
ISP25	$t_{su(dV\text{-hsH})}$	Setup time, input write enable cam_wen valid before input pixel clock cam_pclk rising edge	1.82		3.25		ns
ISP26	$t_{h(\text{pclkH-hsV})}$	Hold time, input write enable cam_wen valid after input pixel clock cam_pclk rising edge	1.82		3.25		ns
ISP27	$t_{su(dV\text{-fldH})}$	Setup time, input field identification cam_fld valid before input pixel clock cam_pclk rising edge	1.82		3.25		ns
ISP28	$t_{h(\text{pclkH-fldV})}$	Hold time, input field identification cam_fld valid after input pixel clock cam_pclk rising edge	1.82		3.25		ns

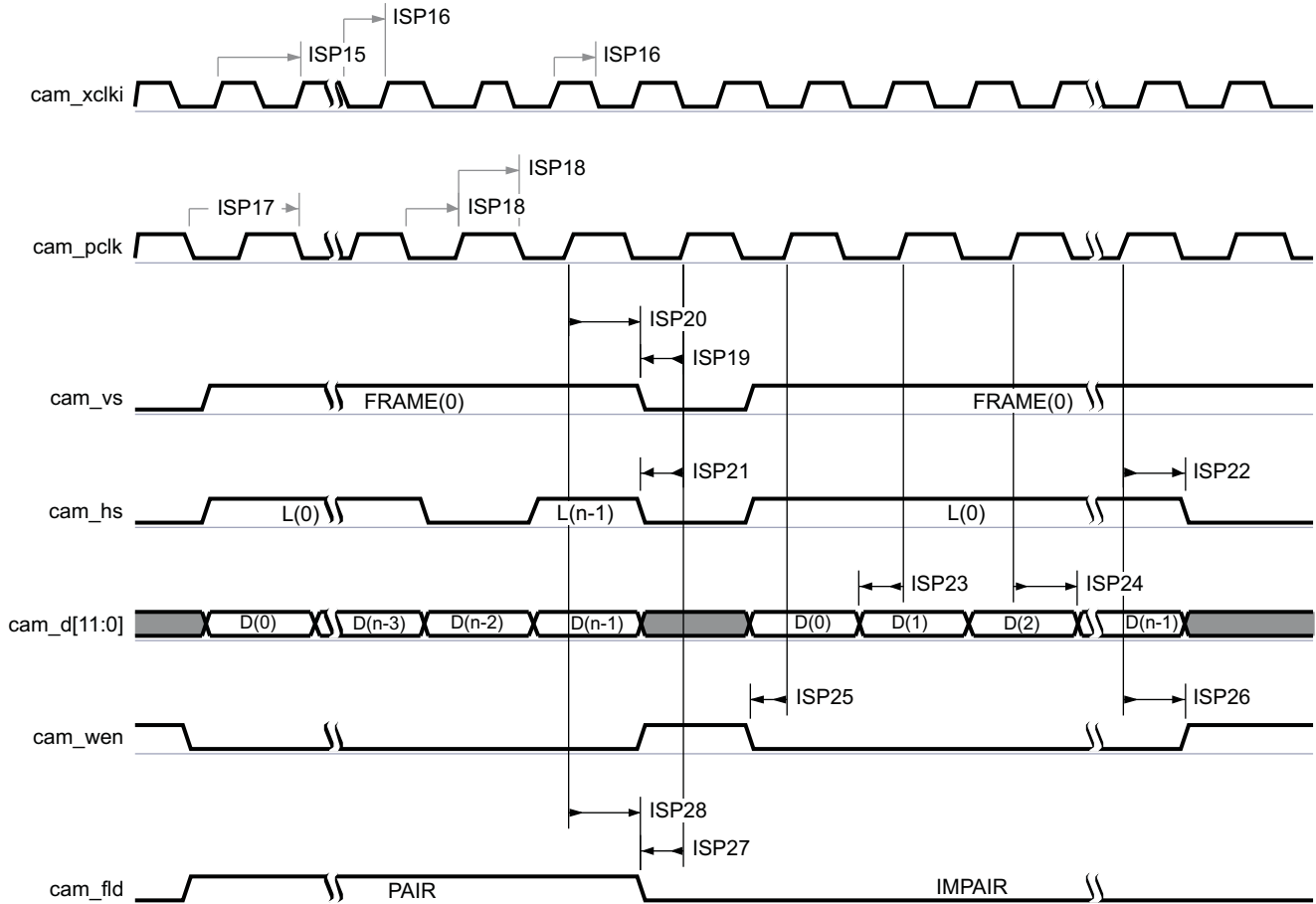
(1) Related with the input maximum frequency supported by the ISP module.

(2) P = cam\_pclk period in ns

(3) Maximum cycle jitter supported by cam\_pclk input clock.

(4) The timing requirements are assured up to the cycle jitter and duty cycle error conditions specified.

(5) See [Section 4.3.4, Processor Clocks](#).



SWPS038-052

- (1) The polarity of cam\_pclk, cam\_fld, cam\_vs, and cam\_hs are configurable. If the cam\_hs, cam\_vs, and cam\_fld signals are output, the signal length can be set.
- (2) The parallel camera in SYNC mode supports interlaced image sensor modules and 8-, 10-, 11-, or 12-bit data.
- (3) When the image sensor has fewer than 12 data lines, it is connected to the lower data lines and the unused lines are grounded.
- (4) It is possible to shift the data to 0, 2, or 4 data internal lanes.
- (5) The bit configurations are: cam\_d[11:4] or cam\_d[7:0] in 8-bit mode, cam\_d[11:2] or cam\_d[9:0] in 10-bit mode, cam\_d[10:0] in 11-bit mode and cam\_d[11:0] in 12-bit mode.
- (6) Optionally, the data write to memory can be qualified by the external cam\_wen signal.
- (7) The cam\_wen signal can be used as an external memory write-enable signal. The data is stored to memory only if cam\_hs, cam\_vs, and cam\_wen signals are asserted.
- (8) In cam\_xclki, i can be equal to a or b. See [Table 6-22](#) for ISP15 and ISP16 parameters.

**Figure 6-27. CPI—12-bit SYNC Normal Interlaced Mode** [Section 5.3](#)

### 6.5.1.2.5 CPI—8-Bit SYNC Packed Interlaced Mode

Table 6-32 assumes testing over the recommended operating conditions and electrical characteristic conditions below (see Figure 6-28).

**Table 6-31. CPI Timing Conditions—8-Bit SYNC Packed Interlaced Mode**

TIMING CONDITION PARAMETER		VALUE	UNIT
<b>Input Conditions</b>			
$t_R$	Input signal rise time	2.5	ns
$t_F$	Input signal fall time	2.5	ns
<b>Output Condition</b>			
$C_{LOAD}$	Output load capacitance <sup>(1)</sup>	8.6	pF

(1) The load setting of the IO buffer: LB0 = 1.

**Table 6-32. CPI Timing Requirements—8-Bit SYNC Packed Interlaced Mode<sup>(4) (5)</sup>**

NO.	PARAMETER		OPP100		OPP50		UNIT
			MIN	MAX	MIN	MAX	
ISP3	$1 / t_{c(pclk)}$	Frequency <sup>(1)</sup> , input pixel clock cam_pclk		130		65	MHz
ISP4	$t_{w(pclkH)}$	Typical pulse duration, input pixel clock cam_pclk high	0.5P <sup>(2)</sup>		0.5P <sup>(2)</sup>		ns
ISP4	$t_{w(pclkL)}$	Typical pulse duration, input pixel clock cam_pclk low	0.5P <sup>(2)</sup>		0.5P <sup>(2)</sup>		ns
	$t_{dc(pclk)}$	Duty cycle error, input pixel clock cam_pclk		0.5*P <sup>(2)</sup> - 3.465		0.5*P <sup>(2)</sup> - 6.93	ns
	$t_{j(pclk)}$	Cycle jitter <sup>(3)</sup> , input pixel clock cam_pclk		0.0649*P <sup>(2)</sup>		0.0649*P <sup>(2)</sup>	ns
ISP5	$t_{su(dV-pclkH)}$	Setup time, input data cam_d[8:0] valid before input pixel clock cam_pclk rising edge	1.08		2.27		ns
ISP6	$t_{h(pclkH-dV)}$	Hold time, input data cam_d[8:0] valid after input pixel clock cam_pclk rising edge	1.08		2.27		ns
ISP7	$t_{su(dV-vsH)}$	Setup time, input vertical synchronization cam_vs valid before input pixel clock cam_pclk rising edge	1.08		2.27		ns
ISP8	$t_{h(pclkH-vsV)}$	Hold time, input vertical synchronization cam_vs valid after input pixel clock cam_pclk rising edge	1.08		2.27		ns
ISP9	$t_{su(dV-hsH)}$	Setup time, input horizontal synchronization cam_hs valid before input pixel clock cam_pclk rising edge	1.08		2.27		ns
ISP10	$t_{h(pclkH-hsV)}$	Hold time, input horizontal synchronization cam_hs valid after input pixel clock cam_pclk rising edge	1.08		2.27		ns
ISP11	$t_{su(dV-hsH)}$	Setup time, input write enable cam_wen valid before input pixel clock cam_pclk rising edge	1.08		2.27		ns
ISP12	$t_{h(pclkH-hsV)}$	Hold time, input write enable cam_wen valid after input pixel clock cam_pclk rising edge	1.08		2.27		ns
ISP13	$t_{su(dV-flidH)}$	Setup time, input field identification cam_fld valid before input pixel clock cam_pclk rising edge	1.08		2.27		ns
ISP14	$t_{h(pclkH-flidV)}$	Hold time, input field identification cam_fld valid after input pixel clock cam_pclk rising edge	1.08		2.27		ns

(1) Related with the input maximum frequency supported by the ISP module.

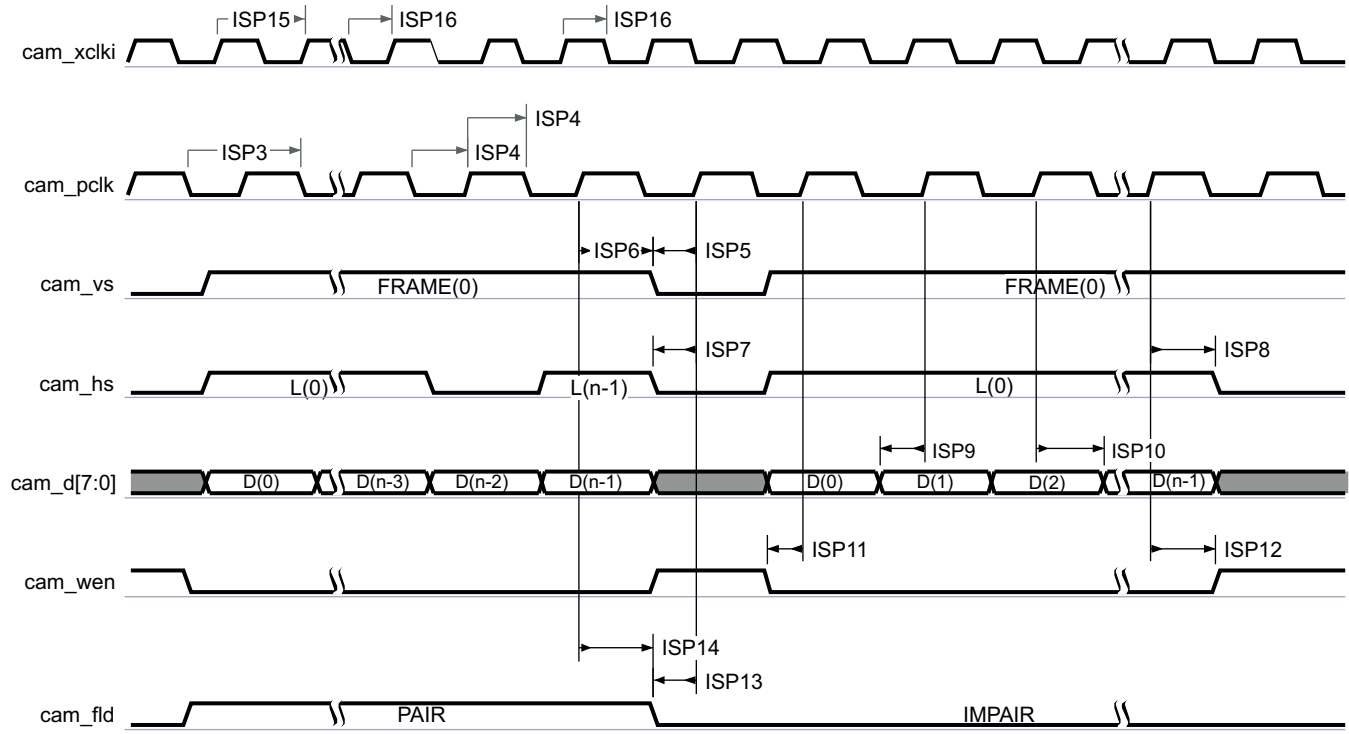
(2) P = cam\_pclk period in ns

(3) Maximum cycle jitter supported by cam\_pclk input clock.

(4) The timing requirements are assured up to the cycle jitter and duty cycle error conditions specified.

(5) See Section 4.3.4, Processor Clocks.





SWPS038-053

- (1) The polarity of cam\_pclk, cam\_fld, cam\_vs, and cam\_hs are configurable.
- (2) The image sensor is connected to the lower data lines and the unused lines are grounded. However, it is possible to shift the data to 0, 2, or 4 data internal lanes. The bit configurations are: cam\_d[11:4] or cam\_d[7:0] in 8-bit packed mode .
- (3) Optionally, the data write to memory can be qualified by the external cam\_wen signal. The cam\_wen signal can be used as an external memory write-enable signal. The data is stored to memory only if cam\_hs, cam\_vs, and cam\_wen signals are asserted.
- (4) The camera module can pack 8-bit data into 16 bits. It doubles the maximum pixel clock. This mode can be particularly useful to transfer a YCbCr data stream or compressed stream to memory at very high speed.
- (5) In cam\_xclki, i can be equal to a or b. See Table 6-22 for ISP15 and ISP16 parameters.

Figure 6-28. CPI—8-Bit SYNC Packed Interlaced Mode

### 6.5.1.2.6 CPI—ITU Mode

Table 6-34 assumes testing over the recommended operating conditions and electrical characteristic conditions below (see Figure 6-29).

Table 6-33. CPI Timing Conditions—ITU Mode

TIMING CONDITION PARAMETER		VALUE	UNIT
<b>Input Conditions</b>			
t <sub>R</sub>	Input signal rise time	2.7	ns
t <sub>F</sub>	Input signal fall time	2.7	ns
<b>Output Condition</b>			
C <sub>LOAD</sub>	Output load capacitance <sup>(1)</sup>	8.6	pF

(1) The load setting of the IO buffer: LB0 = 1.

**Table 6-34. CPI Timing Requirements—ITU Mode<sup>(4) (5)</sup>**

NO.	PARAMETER		OPP100		OPP50		UNIT
			MIN	MAX	MIN	MAX	
ISP17	$1 / t_{c(\text{pclk})}$	Frequency <sup>(1)</sup> , input pixel clock cam_pclk		75		45	MHz
ISP18	$t_{w(\text{pclkH})}$	Typical pulse duration, input pixel clock cam_pclk high	0.5P <sup>(2)</sup>		0.5P <sup>(2)</sup>		ns
ISP18	$t_{w(\text{pclkL})}$	Typical pulse duration, input pixel clock cam_pclk low	0.5P <sup>(2)</sup>		0.5P <sup>(2)</sup>		ns
	$t_{dc(\text{pclk})}$	Duty cycle error, input pixel clock cam_pclk		$0.5 * P^{(2)} - 3.465$		$0.5 * P^{(2)} - 6.93$	ns
	$t_{j(\text{pclk})}$	Cycle jitter <sup>(3)</sup> , input pixel clock cam_pclk		$0.0649 * P^{(2)}$		$0.0649 * P^{(2)}$	ns
ISP23	$t_{su(dV-\text{pclkH})}$	Setup time, input data cam_d[9:0] valid before input pixel clock cam_pclk rising edge	1.82		3.25		ns
ISP24	$t_{h(\text{pclkH}-dV)}$	Hold time, input data cam_d[9:0] valid after input pixel clock cam_pclk rising edge	1.82		3.25		ns

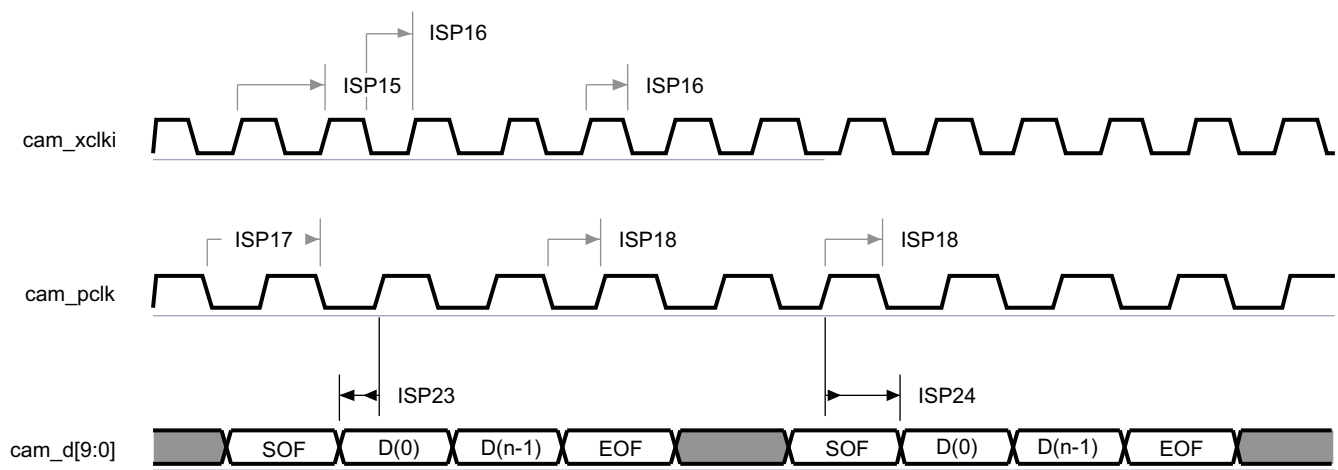
(1) Related with the input maximum frequency supported by the ISP module.

(2) P = cam\_pclk period in ns

(3) Maximum cycle jitter supported by cam\_pclk input clock.

(4) The timing requirements are assured up to the cycle jitter and duty cycle error conditions specified.

(5) See [Section 4.3.4, Processor Clocks](#).



SWPS038-054

(1) The unused lines are grounded and the data bus is connected to the lower data lines. However, it is possible to shift the data to 0, 2, or 4 data internal lanes. The different configurations are: cam\_d[11:4] or cam\_d[7:0] in 8-bit mode and cam\_d[11:2] or cam\_d[9:0] in 10-bit mode.

(2) The parallel camera in ITU mode supports progressive camera modules.

(3) In cam\_xclki, i can be equal to a or b. See [Table 6-22](#) for ISP15 and ISP16 parameters.

**Figure 6-29. CPI—ITU Mode**

## 6.5.2 Display Subsystem (DSS)

### NOTE

For more information, see Display Subsystem chapter of the *AM/DM37x Multimedia Device Technical Reference Manual* (literature number [SPRUGN4](#)).

The display subsystem (DSS) provides the logic to display the video frame from external (SDRAM) or internal (SRAM) memory on an LCD panel or a TV set. The display subsystem integrates the following elements:

- Display controller (DISPC) module
- Remote frame buffer interface (RFBI) module
- NTSC/PAL video encoder
- LCD display with:
  - Parallel Interface

The two display supports can be active at the same time.

### 6.5.2.1 DSS—Parallel Interface

In parallel interface, the paths of the display subsystem modules are the display controller and the RFBI. The display controller has two I/O pad modes and could be in the following configuration:

- Bypass mode (RFBI disabled), which implements the MIPI DPI protocol
- RFBI mode (RFBI enabled), which implements MIPI DBI 2.0 type B protocol

For more information about MIPI DPI and MIPI DBI protocols, see the DSS chapter in the *AM/DM37x Multimedia Device Technical Reference Manual* (literature number [SPRUGN4](#)).

#### 6.5.2.1.1 DSS—Parallel Interface—Bypass Mode

Two types of LCD panel are supported:

- Thin film transistor (TFT) or active matrix technology
- Supertwisted nematic (STN) or passive matrix technology

Both configurations are discussed in the following paragraphs.

#### 6.5.2.1.2 DSS—Parallel Interface—Bypass Mode—TFT Mode

[Table 6-36](#) assumes testing over the recommended operating conditions and electrical characteristic conditions below (see [Figure 6-30](#)).

**Table 6-35. DSS Timing Conditions—TFT Mode**

TIMING CONDITION PARAMETER		VALUE		UNIT
		MIN	MAX	
<b>Output Condition</b>				
C <sub>LOAD</sub>	Output load capacitance <sup>(1)</sup>		10	pF

(1) Buffer strength configuration: LB0 = 1

**Table 6-36. DSS Switching Characteristics—TFT Mode<sup>(4)</sup>**

NO.	PARAMETER		OPP100		OPP50		UNIT
			MIN	MAX	MIN	MAX	
DL0	t <sub>d(pclkA-hsync)</sub>	Delay time, output pixel clock dss_pclk active edge to output horizontal synchronization dss_hsync transition	–4.215	4.215	–4.658	4.658	ns
DL1	t <sub>d(pclkA-vsync)</sub>	Delay time, output pixel clock dss_pclk active edge to output vertical synchronization dss_vsync transition	–4.215	4.215	–4.658	4.658	ns

**Table 6-36. DSS Switching Characteristics—TFT Mode<sup>(4)</sup> (continued)**

NO.	PARAMETER		OPP100		OPP50		UNIT
			MIN	MAX	MIN	MAX	
DL2	$t_{d(\text{pclkA-acbiasA})}$	Delay time, output pixel clock dss_pclk active edge to output data enable dss_acbias active level	-4.215	4.215	-4.658	4.658	ns
DL3	$t_{d(\text{pclkA-dV})}$	Delay time, output pixel clock dss_pclk active edge to output data dss_data[23:0] valid	-4.215	4.215	-4.658	4.658	ns
DL4	$1 / t_{c(\text{pclk})}$	Frequency <sup>(2)</sup> , output pixel clock dss_pclk		74.3 <sup>(3)</sup>		66 <sup>(3)</sup>	MHz
DL5	$t_{w(\text{pclk})}$	Pulse duration, output pixel clock dss_pclk low or high	0.45P <sup>(1)</sup>	0.55P <sup>(1)</sup> (5)	0.45P <sup>(1)</sup>	0.55P <sup>(1)</sup> (5)	ns

(1) P = dss\_pclk period in ns

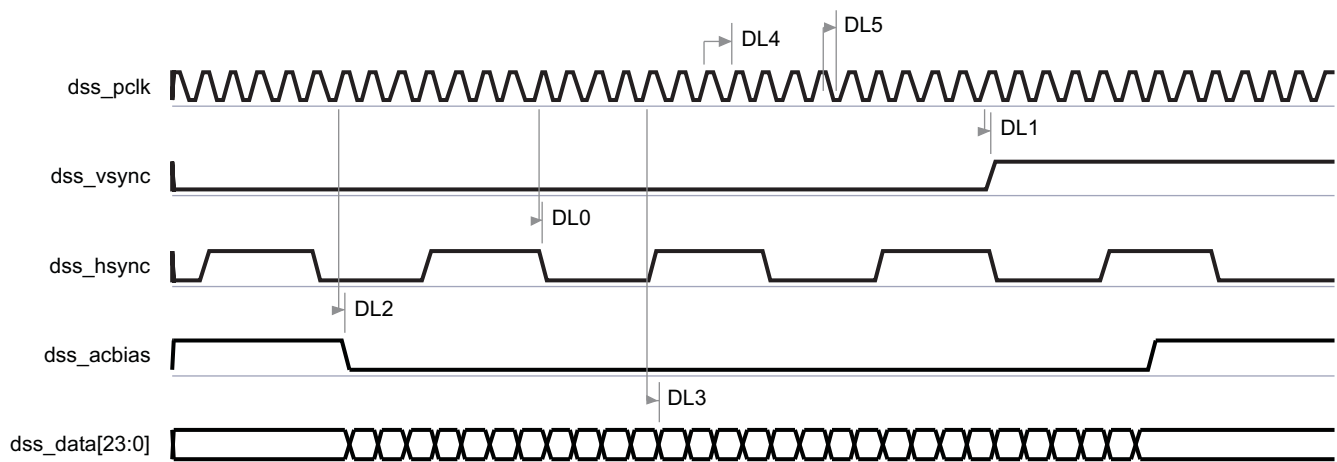
(2) The pixel clock frequency is software programmable via the pixel clock divider configuration from 1 to 255 division range in the DISPC\_DIVISOR register.

(3) For the DSS (TFT mode) in HD-TV application, to run at full speed (74.3 MHz) it is recommended to use the dss\_data[5:0] signals on the dss\_data[23:18] balls (H26, H25, E28, J26, AC27, AC28). In that case, the dss\_data[23:18] signals are available on the sys\_boot0, sys\_boot1, sys\_boot3, sys\_boot4, sys\_boot5, and sys\_boot6 balls (AH26, AG26, AF18, AF19, AE21, AF21) to run at full speed (74.3 MHz).

If the dss\_data[5:0] signals are used on the dss\_data[5:0] balls (AG22, AH22, AG23, AH23, AG24, AH24), OPP100 DSS (TFT mode) are limited at 66 MHz. The values may change following the silicon characterization result.

(4) See [Section 4.3.4, Processor Clocks](#).

(5)  $t_{w(\text{pclk})} = 0.66 \cdot P$  when DISPC\_DIVISOR[6:0] PCD = 3.



SWPS038-055

(1) The pixel data bus depends on the use of 8-, 9-, 12-, 16-, 18-, or 24-bit per pixel data output pins.

(2) The pixel clock frequency is programmable.

(3) All timings not illustrated in the waveform are programmable by software, and control signal polarity and driven edge of dss\_pclk too.

(4) For more information, see the DSS chapter in the *AM/DM37x Multimedia Device Technical Reference Manual* (literature number [SPRUGN4](#)).

**Figure 6-30. DSS—TFT Mode**

### 6.5.2.1.3 DSS—Parallel Interface—Bypass Mode—STN Mode

[Table 6-38](#) assumes testing over the recommended operating conditions and electrical characteristic conditions below (see [Figure 6-31](#)).

**Table 6-37. DSS Timing Conditions—STN Mode**

TIMING CONDITION PARAMETER		VALUE		UNIT
		MIN	MAX	
<b>Output Condition</b>				
$C_{LOAD}$	Output load capacitance <sup>(1)</sup>		40	pF

(1) Buffer strength configuration: LB0 = 1

**Table 6-38. DSS Switching Characteristics—STN Mode<sup>(3) (4)</sup>**

NO.	PARAMETER		OPP100		OPP50		UNIT
			MIN	MAX	MIN	MAX	
DL3	$t_{d(pclkA-dV)}$	Delay time, output pixel clock dss_pclk active edge to output data dss_data[7:0] valid	-6.868	6.868	-6.868	6.868	ns
DL4	$1 / t_{c(pclk)}$	Frequency <sup>(2)</sup> , output pixel clock dss_pclk		44		44	MHz
DL5	$t_{w(pclk)}$	Pulse duration, output pixel clock dss_pclk low or high	0.45P <sup>(1)</sup>	0.55P <sup>(1) (5)</sup>	0.45P <sup>(1)</sup>	0.55P <sup>(1)(5)</sup>	ns

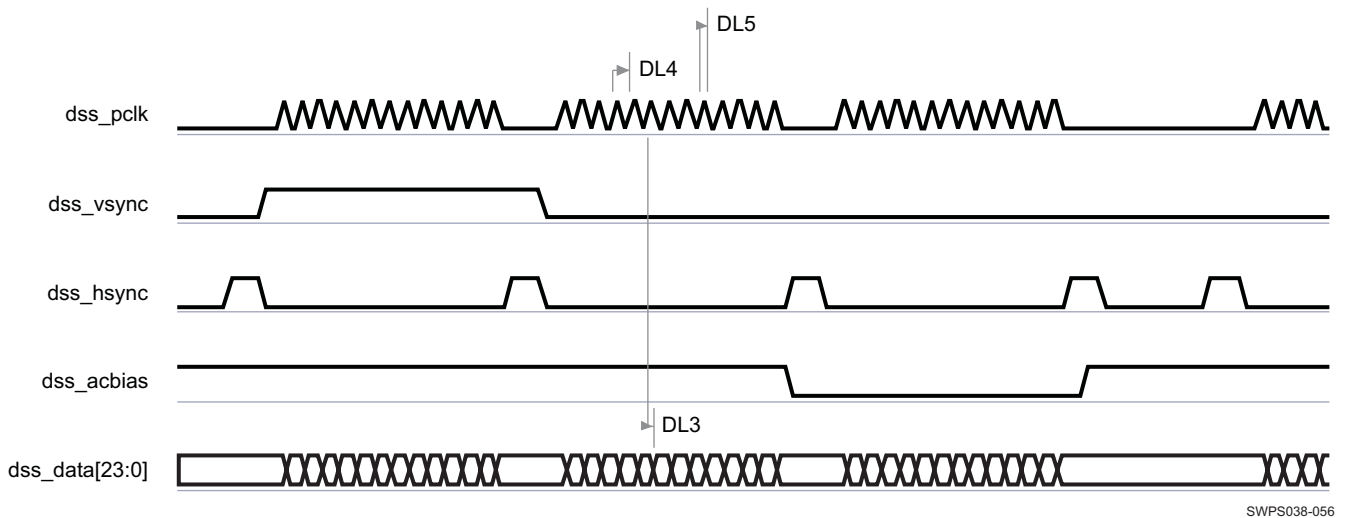
(1) P = dss\_pclk period in ns

(2) The pixel clock frequency is software programmable via the pixel clock divider configuration from 1 to 255 division range in the DISPC\_DIVISOR register.

(3) The DSS in STN mode is used with 4 or 8 pins only; unused pixel data bits always remain low.

(4) See Section 4.3.4, Processor Clocks.

(5)  $t_{w(pclk)} = 0.66P$  when DISPC\_DIVISOR[6:0] PCD = 3.



SWPS038-056

(1) The pixel data bus depends on the use of 4-, 8-, 12-, 16-, 18-, or 24-bit per pixel data output pins.

(2) All timings not illustrated in the waveform are programmable by software, and control signal polarity and driven edge of dss\_pclk too.

(3) dss\_vsync width must be programmed to be as small as possible.

(4) The pixel clock frequency is programmable.

(5) For more information, see the DSS chapter in the *AM/DM37x Multimedia Device Technical Reference Manual* (literature number [SPRUGN4](#)).

**Figure 6-31. DSS—STN Mode**

### 6.5.2.2 DSS—Parallel Interface—RFBI Mode — Applications

#### 6.5.2.2.1 DSS—Parallel Interface—RFBI Mode— MIPI DBI-B 2.0 —LCD Panel

The Remote Frame Buffer Interface (RFBI) module provides the necessary control signals and data (MIPI® DBI 2.0 type B protocol) to interface to the LCD driver of the LCD panel.

Table 6-40 and Table 6-41 assume testing over the recommended operating conditions and electrical characteristic conditions below (see Figure 6-32 through Figure 6-34).

**Table 6-39. DSS Timing Conditions—RFBI Mode—MIPI DBI 2.0 - LCD Panel<sup>(2)</sup>**

TIMING CONDITION PARAMETER		VALUE		UNIT
		MIN	MAX	
<b>Input Conditions</b>				
$t_R$	Input signal rise time		15	ns
$t_F$	Input signal fall time		15	ns
<b>Output Condition</b>				
$C_{LOAD}$	Output load capacitance <sup>(1)</sup>		30	pF

(1) Buffer strength configuration: LB0 = 1.

(2) For any information regarding the RFBI registers configuration, see Display Subsystem / the Display Subsystem Environment / LCD Support / Parallel Interface / Parallel Interface in RFBI Mode (MIPI DBI Protocol) / Transaction Timing Diagrams section of the *AM/DM37x Multimedia Device Technical Reference Manual* (literature number [SPRUGN4](#)).

**Table 6-40. DSS Timing Requirements—RFBI Mode—MIPI DBI 2.0 - LCD Panel**

NO.	PARAMETER		OPP100		OPP50		UNIT
			MIN	MAX	MIN	MAX	
DR0	$t_{su(dV-rdH)}$	Setup time, input data rfb_da[15:0] valid to output read enable rfb_rd high	7.3		6.3		ns
DR1	$t_{h(rdH-dIV)}$	Hold time, output read enable rfb_rd high to input data rfb_da[15:0] invalid	10.6		9.6		ns
	$t_d(\text{Data sampled})$	Input data rfb_da[15:0] sampled at the end of the access time	N <sup>(1)</sup>		N <sup>(1)</sup>		ns

(1)  $N = (\text{AccessTime}) * (\text{TimeParaGranularity} + 1) * L4CLK$

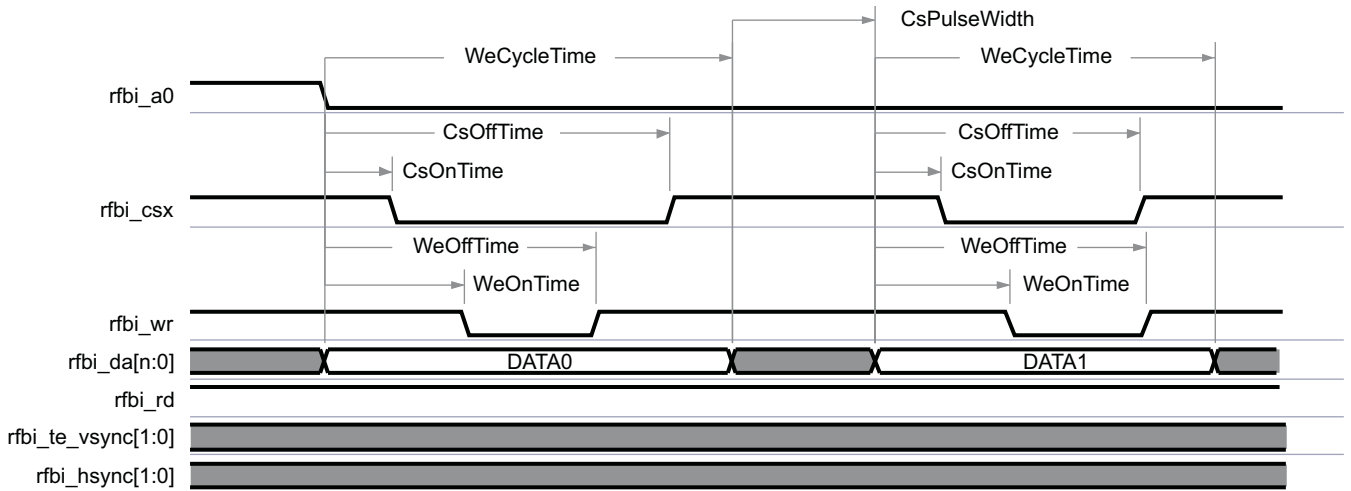
**Table 6-41. DSS Switching Characteristics—RFBI Mode—MIPI DBI 2.0 - LCD Panel**

PARAMETER		OPP100		OPP50		UNIT
		MIN	MAX	MIN	MAX	
$t_{w(wrH)}$	Pulse duration, output write enable rfb_wr high	A <sup>(1)</sup>		A <sup>(1)</sup>		ns
$t_{w(wrL)}$	Pulse duration, output write enable rfb_wr low	B <sup>(2)</sup>		B <sup>(2)</sup>		ns
$t_d(a0-wrL)$	Delay time, output command/data control rfb_a0 transition to output write enable rfb_wr low	C <sup>(3)</sup>		C <sup>(3)</sup>		ns
$t_d(wrH-a0)$	Delay time, output write enable rfb_wr high to output command/data control rfb_a0 transition	D <sup>(4)</sup>		D <sup>(4)</sup>		ns
$t_d(csx-wrL)$	Delay time, output chip select rfb_csx <sup>(14)</sup> low to output write enable rfb_wr low	E <sup>(5)</sup>		E <sup>(5)</sup>		ns
$t_d(wrH-csxH)$	Delay time, output write enable rfb_wr high to output chip select rfb_csx <sup>(14)</sup> high	F <sup>(6)</sup>		F <sup>(6)</sup>		ns
$t_d(dV)$	Output data rfb_da[15:0] valid	G <sup>(7)</sup>		G <sup>(7)</sup>		ns
$t_d(a0H-rdL)$	Delay time, output command/data control rfb_a0 high to output read enable rfb_rd low	H <sup>(8)</sup>		H <sup>(8)</sup>		ns
$t_d(rdH-a0)$	Delay time, output read enable rfb_rd high to output command/data control rfb_a0 transition	I <sup>(9)</sup>		I <sup>(9)</sup>		ns
$t_{w(rdH)}$	Pulse duration, output read enable rfb_rd high	J <sup>(10)</sup>		J <sup>(10)</sup>		ns
$t_{w(rdL)}$	Pulse duration, output read enable rfb_rd low	K <sup>(11)</sup>		K <sup>(11)</sup>		ns
$t_d(rdL-csxL)$	Delay time, output read enable rfb_rd low to output chip select rfb_csx <sup>(14)</sup> low	L <sup>(12)</sup>		L <sup>(12)</sup>		ns
$t_d(rdH-csxH)$	Delay time, output read enable rfb_rd high to output chip select rfb_csx <sup>(14)</sup> high	M <sup>(13)</sup>		M <sup>(13)</sup>		ns
$t_{R(wr)}$	Rise time, output write enable rfb_wr		10		10	ns
$t_{F(wr)}$	Fall time, output write enable rfb_wr		10		10	ns
$t_{R(a0)}$	Rise time, output command/data control rfb_a0		10		10	ns
$t_{F(a0)}$	Fall time, output command/data control rfb_a0		10		10	ns
$t_{R(csx)}$	Rise time, output chip select rfb_csx <sup>(14)</sup>		10		10	ns

**Table 6-41. DSS Switching Characteristics— RFBI Mode— MIPI DBI 2.0 - LCD Panel (continued)**

PARAMETER		OPP100		OPP50		UNIT
		MIN	MAX	MIN	MAX	
$t_{F(csx)}$	Fall time, output chip select rfb <sub>i</sub> _csx <sup>(14)</sup>		10		10	ns
$t_{R(d)}$	Rise time, output data rfb <sub>i</sub> _da[15:0]		10		10	ns
$t_{F(d)}$	Fall time, output data rfb <sub>i</sub> _da[15:0]		10		10	ns
$t_{R(rd)}$	Rise time, output read enable rfb <sub>i</sub> _rd		10		10	ns
$t_{F(rd)}$	Fall time, output read enable rfb <sub>i</sub> _rd		10		10	ns

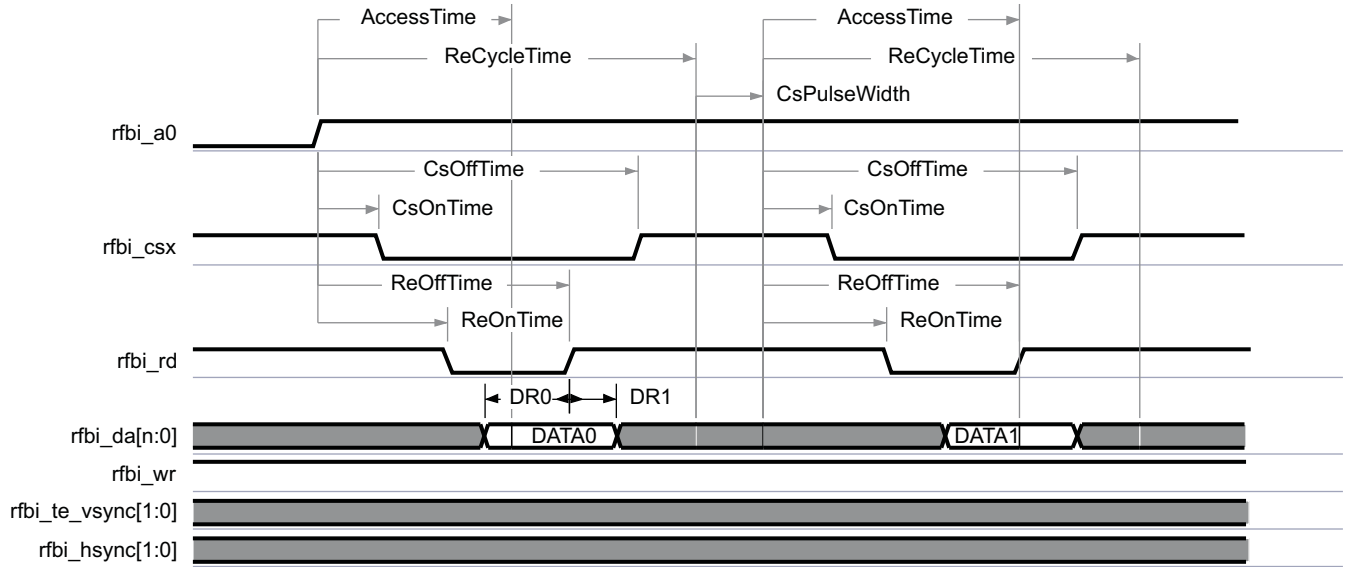
- (1)  $A = (WECycleTime - WEOffTime) * (TimeParaGranularity + 1) * L4CLK$
- (2)  $B = (WEOffTime - WEOnTime) * (TimeParaGranularity + 1) * L4CLK$
- (3)  $C = WEOnTime * (TimeParaGranularity + 1) * L4CLK$
- (4)  $D = (WECycleTime + CSPulseWidth - WEOffTime) * (TimeParaGranularity + 1) * L4CLK$  if mode Write to Read or Read to Write is enabled
- (5)  $E = (WEOnTime - CSONTime) * (TimeParaGranularity + 1) * L4CLK$
- (6)  $F = (CSOffTime - WEOffTime) * (TimeParaGranularity + 1) * L4CLK$
- (7)  $G = WECycleTime * (TimeParaGranularity + 1) * L4CLK$
- (8)  $H = REOnTime * (TimeParaGranularity + 1) * L4CLK$
- (9)  $I = (RECycleTime + CSPulseWidth - REOffTime) * (TimeParaGranularity + 1) * L4CLK$  if mode Write to Read or Read to Write is enabled
- (10)  $J = (RECycleTime - REOffTime) * (TimeParaGranularity + 1) * L4CLK$
- (11)  $K = (REOffTime - REOnTime) * (TimeParaGranularity + 1) * L4CLK$
- (12)  $L = (REOnTime - CSONTime) * (TimeParaGranularity + 1) * L4CLK$
- (13)  $M = (CSOffTime - REOffTime) * (TimeParaGranularity + 1) * L4CLK$
- (14) In rfb<sub>i</sub>\_csx, x is equal to 0 or 1.



SWPS038-057

- (1) In rfb<sub>i</sub>\_csx, x is equal to 0 or 1.
- (2) rfb<sub>i</sub>\_data[n:0], n up to 15
- (3) For more information, see the DSS chapter in the *AM/DM37x Multimedia Device Technical Reference Manual* (literature number [SPRUGN4](#)).

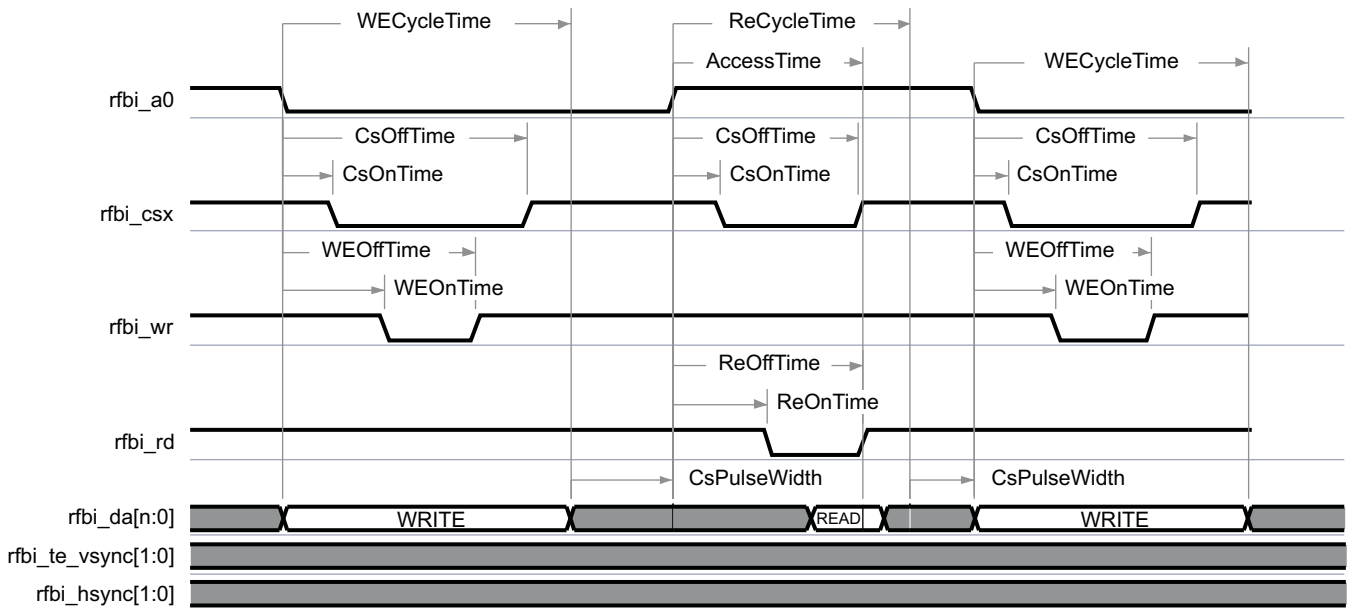
**Figure 6-32. DSS—RFBI Mode—MIPI DBI 2.0 —LCD Panel—Command / Data Write**



SWPS038-058

- (1) In rfb\_i\_csx, x is equal to 0 or 1.
- (2) rfb\_i\_data[n:0], n up to 15
- (3) For more information, see the DSS chapter in the *AM/DM37x Multimedia Device Technical Reference Manual* (literature number [SPRUGN4](#)).

**Figure 6-33. DSS—RFBI Mode—MIPI DBI 2.0 —LCD Panel—Command / Data Read**



SWPS038-059

- (1) In rfb\_i\_csx, x is equal to 0 or 1.
- (2) rfb\_i\_data[n:0], n up to 15
- (3) For more information, see the DSS chapter in the *AM/DM37x Multimedia Device Technical Reference Manual* (literature number [SPRUGN4](#)).

**Figure 6-34. DSS—RFBI Mode—MIPI DBI 2.0 — LCD Panel—Command / Data Write to Read and Read to Write Modes**



### 6.5.2.2.2 DSS—Parallel Interface—RFBI Mode—Pico DLP

The Remote Frame Buffer Interface (RFBI) module can provide also the necessary control signals and data to interface to the Pico DLP driver of the Pico DLP panel. [Table 6-42](#) assumes testing over the recommended operating conditions and electrical characteristic conditions below (see [Figure 6-35](#)).

**Table 6-42. DSS Timing Conditions—RFBI Mode—Pico DLP**

TIMING CONDITION PARAMETER		VALUE		UNIT
		MIN	MAX	
<b>Output Condition</b>				
C <sub>LOAD</sub>	Output load capacitance <sup>(1)</sup>		5	pF

(1) Buffer strength configuration: LB0 = 0

To use Pico DLP application, RFBI register must be configured as shown in [Table 6-43](#):

**Table 6-43. DSS Register Configuration—RFBI Mode—Pico DLP**

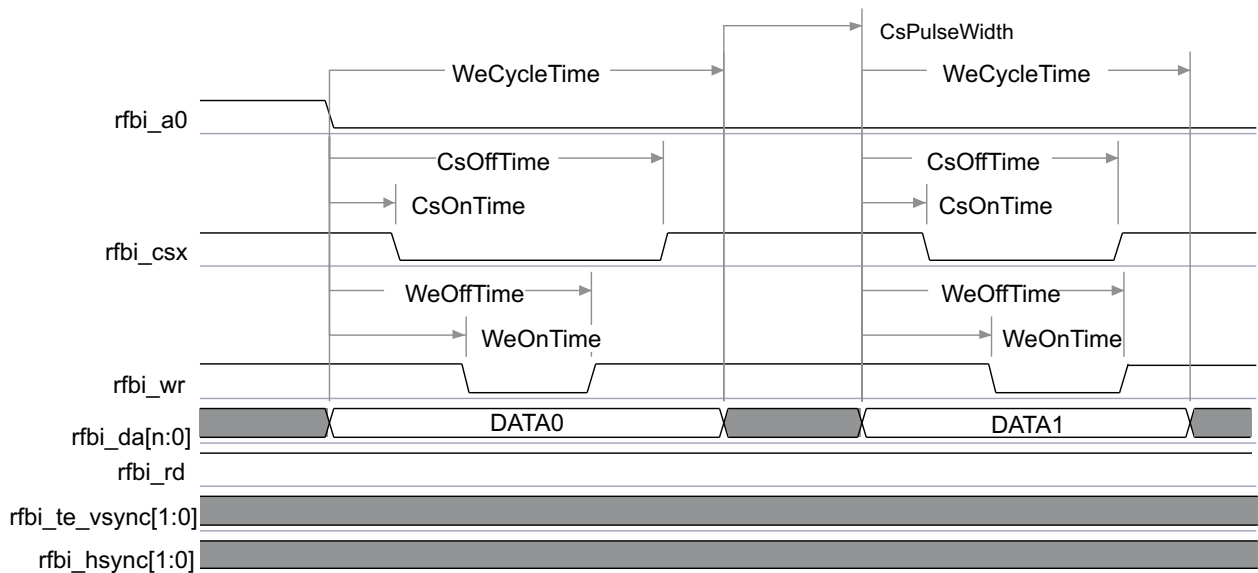
DESCRIPTION	REGISTER AND BIT FIELD <sup>(1)</sup>	BIT	VALUES
Selection parallel mode	RFBI_CONFIGi and ParallelMode	[1:0]	0b11: 16-bit parallel output interface selected
Time Granularity (multiplies signal timing latencies by 2).	RFBI_CONFIGi and TimeGranularity	[4]	0b0: x2 latency disable
CS signal assertion time from Start Access Time	RFBI_ONOFF_TIMEi and CSOnTime	[3:0]	0b0000
CS signal de-assertion time from Start Access Time	RFBI_ONOFF_TIMEi and CSOffTime	[9:4]	0b000100: 4 cycles
WE signal assertion time from Start Access Time	RFBI_ONOFF_TIMEi and WEOnTime	[13:10]	0b0000
WE signal de-assertion time from Start Access Time	RFBI_ONOFF_TIMEi and WEOffTime	[19:14]	0b000010: 2 cycles
RE signal assertion time from Start Access Time	RFBI_ONOFF_TIMEi and REOnTime	[23:20]	0b0000
RE signal de-assertion time from Start Access Time	RFBI_ONOFF_TIMEi and REOffTime	[29:24]	0b000000
Write cycle time	RFBI_CYCLE_TIMEi and WECycleTime	[5:0]	0b000100: 4 cycles
Read cycle time	RFBI_CYCLE_TIMEi and ReCycleTime	[11:6]	0b000000
CS pulse width	RFBI_CYCLE_TIMEi and CSPulseWidth	[17:12]	0b000000
Read to Write CS pulse width enable	RFBI_CYCLE_TIMEi and RWEnable	[18]	0b0
Read to Read CS pulse width enable	RFBI_CYCLE_TIMEi and RREnable	[19]	0b0
Write to Write CS pulse width enable	RFBI_CYCLE_TIMEi and WWEnable	[20]	0b0
Write to Read CS pulse width enable	RFBI_CYCLE_TIMEi and WREnable	[21]	0b0
From Start Access Time to CLK rising edge used for the first data capture	RFBI_CYCLE_TIMEi and AccessTime	[27:22]	0b000000

(1) i is equal to 0 or 1. For more information, see the DSS chapter in the *AM/DM37x Multimedia Device Technical Reference Manual* (literature number [SPRUGN4](#)).

**Table 6-44. DSS Switching Characteristics—RFBI Mode—Pico DLP<sup>(15)(17)(18)</sup>**

PARAMETER		OPP100		OPP50		UNIT
		MIN	MAX	MIN	MAX	
$t_{w(wrH)}$	Pulse duration, output write enable rfb_i_wr high	A <sup>(1)</sup>		A <sup>(1)</sup>		ns
$t_{w(wrL)}$	Pulse duration, output write enable rfb_i_wr low	B <sup>(2)</sup>		B <sup>(2)</sup>		ns
$t_{d(a0-wrL)}$	Delay time, output command/data control rfb_i_a0 transition to output write enable rfb_i_wr low	C <sup>(3)</sup>		C <sup>(3)</sup>		ns
$t_{d(wrH-a0)}$	Delay time, output write enable rfb_i_wr high to output command/data control rfb_i_a0 transition	D <sup>(4)</sup>		D <sup>(4)</sup>		ns
$t_{d(csx-wrL)}$	Delay time, output chip select rfb_i_csx <sup>(14)</sup> low to output write enable rfb_i_wr low	E <sup>(5)</sup>		E <sup>(5)</sup>		ns
$t_{d(wrH-csxH)}$	Delay time, output write enable rfb_i_wr high to output chip select rfb_i_csx <sup>(14)</sup> high	F <sup>(6)</sup>		F <sup>(6)</sup>		ns
$t_{d(dataV)}$	Output data rfb_i_da[15:0] <sup>(16)</sup> valid	G <sup>(7)</sup>		G <sup>(7)</sup>		ns
$t_{d(Skew)}$	Skew between output write enable falling rfb_i_wr and output data rfb_i_da[15:0] <sup>(16)</sup> high or low	15.5		15.5		ns
$t_{d(a0H-rdL)}$	Delay time, output command/data control rfb_i_a0 high to output read enable rfb_i_rd low	H <sup>(8)</sup>		H <sup>(8)</sup>		ns
$t_{d(rdH-a0)}$	Delay time, output read enable rfb_i_rd high to output command/data control rfb_i_a0 transition	I <sup>(9)</sup>		I <sup>(9)</sup>		ns
$t_{w(rdH)}$	Pulse duration, output read enable rfb_i_rd high	J <sup>(10)</sup>		J <sup>(10)</sup>		ns
$t_{w(rdL)}$	Pulse duration, output read enable rfb_i_rd low	K <sup>(11)</sup>		K <sup>(11)</sup>		ns
$t_{d(rdL-csxL)}$	Delay time, output read enable rfb_i_rd low to output chip select rfb_i_csx <sup>(14)</sup> low	L <sup>(12)</sup>		L <sup>(12)</sup>		ns
$t_{d(rdL-csxH)}$	Delay time, output read enable rfb_i_rd low to output chip select rfb_i_csx <sup>(14)</sup> high	M <sup>(13)</sup>		M <sup>(13)</sup>		ns
$t_{R(wr)}$	Rise time, output write enable rfb_i_wr		7		7	ns
$t_{F(wr)}$	Fall time, output write enable rfb_i_wr		7		7	ns
$t_{R(a0)}$	Rise time, output command/data control rfb_i_a0		7		7	ns
$t_{F(a0)}$	Fall time, output command/data control rfb_i_a0		7		7	ns
$t_{R(csx)}$	Rise time, output chip select rfb_i_csx <sup>(14)</sup>		7		7	ns
$t_{F(csx)}$	Fall time, output chip select rfb_i_csx <sup>(14)</sup>		7		7	ns
$t_{R(d)}$	Rise time, output data rfb_i_da[15:0] <sup>(16)</sup>		7		7	ns
$t_{F(d)}$	Fall time, output data rfb_i_da[15:0] <sup>(16)</sup>		7		7	ns
$t_{R(rd)}$	Rise time, output read enable rfb_i_rd		7		7	ns
$t_{F(rd)}$	Fall time, output read enable rfb_i_rd		7		7	ns
CsOnTime	CS signal assertion time from Start Access Time - RFBI_ONOFF_TIMEi Register	0 <sup>(19)</sup>				ns
CsOffTime	CS signal de-assertion time from Start Access Time - RFBI_ONOFF_TIMEi Register	40 <sup>(19)</sup>				ns
WeOnTime	WE signal assertion time from Start Access Time - RFBI_ONOFF_TIMEi Register	0 <sup>(19)</sup>				ns
WeOffTime	WE signal de-assertion time from Start Access Time - RFBI_ONOFF_TIMEi Register	20 <sup>(19)</sup>				ns
ReOnTime	RE signal assertion time from Start Access Time - RFBI_ONOFF_TIMEi Register	-				ns
ReOffTime	RE signal de-assertion time from Start Access Time - RFBI_ONOFF_TIMEi Register	-				ns
WeCycleTime	Write cycle time - RFBI_CYCLE_TIMEi Register	40 <sup>(19)</sup>				ns
ReCycleTime	Read cycle time - RFBI_CYCLE_TIMEi Register	-				ns
CsPulseWidth	CS pulse width - RFBI_CYCLE_TIMEi Register	0 <sup>(19)</sup>				ns

- (1)  $A = (WECycleTime - WEOffTime) * (TimeParaGranularity + 1) * L4CLK$
- (2)  $B = (WEOffTime - WEOnTime) * (TimeParaGranularity + 1) * L4CLK$
- (3)  $C = WEOnTime * (TimeParaGranularity + 1) * L4CLK$
- (4)  $D = (WECycleTime + CSPulseWidth - WEOffTime) * (TimeParaGranularity + 1) * L4CLK$  if mode Write to Read or Read to Write is enabled.
- (5)  $E = (WEOnTime - CSONTime) * (TimeParaGranularity + 1) * L4CLK$
- (6)  $F = (CSOffTime - WEOffTime) * (TimeParaGranularity + 1) * L4CLK$
- (7)  $G = WECycleTime * (TimeParaGranularity + 1) * L4CLK$
- (8)  $H = REOnTime * (TimeParaGranularity + 1) * L4CLK$
- (9)  $I = (RECycleTime + CSPulseWidth - REOffTime) * (TimeParaGranularity + 1) * L4CLK$  if mode Write to Read or Read to Write is enabled.
- (10)  $J = (RECycleTime - REOffTime) * (TimeParaGranularity + 1) * L4CLK$
- (11)  $K = (REOffTime - REOnTime) * (TimeParaGranularity + 1) * L4CLK$
- (12)  $L = (REOnTime - CSONTime) * (TimeParaGranularity + 1) * L4CLK$
- (13)  $M = (CSOffTime - REOffTime) * (TimeParaGranularity + 1) * L4CLK$
- (14) In `rfbi_csx`, x is equal to 0 or 1.
- (15) See [Section 4.3.4, Processor Clocks](#).
- (16) 16-bit parallel output interface is selected in DSS register.
- (17) At OPP100, L4 clock is 100 MHz and at OPP50, L4 clock is 50 MHz.
- (18) `rfbi_wr` must be at 25 MHz.
- (19) These values are calculated by the following formula: RFBI Register (Value) \* L4 Clock (ns).



swps038-118

**Figure 6-35. DSS—RFBI Mode—Pico DLP—Command / Data Write<sup>(1)(2)</sup>**

- (1) In `rfbi_csx`, x is equal to 0 or 1.
- (2) `rfb_da[n:0]`, n up to 15

## 6.6 Serial Communications Interfaces

### 6.6.1 Multichannel Buffered Serial Port (McBSP)

#### NOTE

For more information, see Multi-Channel Buffered Serial Port chapter of the *AM/DM37x Multimedia Device Technical Reference Manual* (literature number [SPRUGN4](#)).

The Multichannel Buffered Serial Port (McBSP) provides a full duplex direct serial interface between the chip and other devices in a system such as other application chips, codecs. It can accommodate a wide range of peripherals and clocked frame oriented protocols (I2S, PCM, T ) due to its high level of versatility.

McBSP may support two types of data transfer at the system level:

- The full cycle mode, for which one clock period is used to transfer the data, generated on one edge and captured on the same edge (one clock period later).
- The half cycle mode, for which one half clock period is used to transfer the data, generated on one edge and captured on the opposite edge (one half clock period later). Note that a new data is generated only every clock period, which secures the required hold time.

The interface clock (clkx/clkr) activation edge (data/frame sync capture and generation) has to be configured accordingly with the external peripheral (activation edge capability) and the type of data transfer required at the system level.

Depending on the number of pins, McBSP supports either:

- 6-pin mode: dx and dr as data pins; clkx, clkr, fsx, and fsr as control pins
- 4-pin mode: dx and dr as data pins; clkx and fsx pins as control pins. The clkx and fsx pins are internally looped back, via software configuration, respectively to the clkr and fsr internal signals for data receive.

McBSP1 supports the 6-pin mode. McBSP2, 3, 4, and 5 support only the 4-pin mode.

The following sections describe the timing characteristics for applications in normal mode (that is, McBSPx connected to one peripheral) and T applications in multipoint mode.

#### 6.6.1.1 McBSP Timing Conditions—Normal Mode

Table 6-46 through Table 6-70 assume testing over the recommended operating conditions and electrical characteristic conditions below (see Figure 6-36 through Figure 6-43).

**Table 6-45. McBSP Timing Conditions—Normal Mode**

TIMING CONDITION PARAMETER		VALUE	UNIT
<b>Input Conditions</b>			
$t_R$	Input signal rise time	2	ns
$t_F$	Input signal fall time	2	ns
<b>Output Condition</b>			
$C_{LOAD}$	Output load capacitance <sup>(1)</sup>	10	pF

(1) Buffer strength configuration:

- McBSP4 - Set #1: LB0 = 1.
- Otherwise: LB0 = 0.

**Table 6-46. McBSP Output Clock Characteristics—Normal Mode<sup>(4)</sup>**

PARAMETER		OPP100		OPP50		UNIT	
		MIN	MAX	MIN	MAX		
McBSP1	tc(CLK)	Cycle time, mcbasp1_clkx (multiplexing mode 0) / mcbasp1_clkr (multiplexing mode 0 & 2)		48	24	MHz	
McBSP2	tc(CLK)	Cycle time, mcbasp2_clkx (multiplexing mode 0)		48	24	MHz	
McBSP3	tc(CLK)	Cycle time, mcbasp3_clkx	IO set 1 (multiplexing mode 0)	32	16	MHz	
			IO set 2 (multiplexing mode 1)	48	24		
			IO set 3 (multiplexing mode 2)	48	24		
McBSP4	tc(CLK)	Cycle time, mcbasp4_clkx	IO set 1 (multiplexing mode 0)	48	16	MHz	
			IO set 3 (multiplexing mode 2)	32	16		
McBSP5	tc(CLK)	Cycle time, mcbasp5_clkx	IO set 2 (multiplexing mode 1)	32	16	MHz	
t <sub>W(CLKH)</sub>	Typical pulse duration, mcbasp1_clkx / mcbasp <sub>x</sub> _clkx high <sup>(2)</sup>		0.5*P <sup>(1)</sup>		0.5*P <sup>(1)</sup>		ns
t <sub>W(CLKL)</sub>	Typical pulse duration, mcbasp1_clkx / mcbasp <sub>x</sub> _clkx low <sup>(2)</sup>		0.5*P <sup>(1)</sup>		0.5*P <sup>(1)</sup>		ns
t <sub>dc(CLK)</sub>	Duty cycle error, mcbasp1_clkx / mcbasp <sub>x</sub> _clkx <sup>(2)</sup>		-0.75	0.75	-0.75	0.75	ns
	Jitter, mcbasp1_clkx / mcbasp <sub>x</sub> _clkx <sup>(3)</sup> / mcbasp_clks		-0.40	0.40	-0.40	0.40	ns

(1) P = mcbasp<sub>y</sub>\_clkx<sup>(2)</sup> or mcbasp1\_clkx output clock period in ns

(2) In mcbasp<sub>y</sub>, y is equal to 1, 2, 3, 4, or 5.

(3) In mcbasp<sub>x</sub>, x identifies the McBSP number: 1, 2, 3, 4, or 5.

(4) See [Section 4.3.4, Processor Clocks](#).

### 6.6.1.1.1 Rising Edge as Activation Mode

#### 6.6.1.1.1.1 Timing with Rising Edge as Activation Edge—Receive Mode

**Table 6-47. McBSP1, 2, and 3 (Sets #2 and #3) Timing Requirements—Rising Edge and Receive Mode<sup>(1) (2)</sup>**

NO.	PARAMETER		OPP100		OPP50		UNIT
			MIN	MAX	MIN	MAX	
B3	t <sub>su(DRV-CLKAE)</sub>	Setup time, mcbasp <sub>x</sub> _dr valid before mcbasp1_clkx / mcbasp <sub>x</sub> _clkx active edge	Master	4.36	8.63		ns
			Slave	3.67	7.94		ns
B4	t <sub>h(CLKAE-DRV)</sub>	Hold time, mcbasp <sub>x</sub> _dr valid after mcbasp1_clkx / mcbasp <sub>x</sub> _clkx active edge	Master	1.01	1.01		ns
			Slave	0.4	0.4		ns
B5	t <sub>su(FSV-CLKAE)</sub>	Setup time, mcbasp1_fsr / mcbasp <sub>x</sub> _fsx valid before mcbasp1_clkx / mcbasp <sub>x</sub> _clkx active edge	3.67		7.94		ns
B6	t <sub>h(CLKAE-FSV)</sub>	Hold time, mcbasp1_fsr / mcbasp <sub>x</sub> _fsx valid after mcbasp1_clkx / mcbasp <sub>x</sub> _clkx active edge	0.5		0.5		ns

- (1) In mcbSPx, x identifies the McBSP number: 1, 2, or 3. Note that for the McBSP3, these timings concern only Set #2 (multiplexing mode on UART pins) and Set #3 (multiplexing mode on McBSP1 pins).
- (2) See [Section 4.3.4, Processor Clocks](#).

**Table 6-48. McBSP1, 2, and 3 (Sets #2 and #3) Switching Characteristics—Rising Edge and Receive Mode<sup>(1) (2)</sup>**

NO.	PARAMETER		OPP100		OPP50		UNIT
			MIN	MAX	MIN	MAX	
B2	$t_{d}(\text{CLKAE-FSV})$	Delay time, mcbSP1_clk / mcbSPx_clkx active edge to mcbSP1_fsr / mcbSPx_fsx valid	0.7	14.79	0.7	29.58	ns

- (1) In mcbSPx, x identifies the McBSP number: 1, 2, or 3. Note that for the McBSP3, these timings concern only Set #2 (multiplexing mode on UART pins) and Set #3 (multiplexing mode on McBSP1 pins).
- (2) See [Section 4.3.4, Processor Clocks](#).

**Table 6-49. McBSP4 (Set #1) Timing Requirements—Rising Edge and Receive Mode<sup>(1) (2)</sup>**

NO.	PARAMETER		OPP100		OPP50		UNIT
			MIN	MAX	MIN	MAX	
B3	$t_{su}(\text{DRV-CLKXAE})$	Setup time, mcbSPx_dr valid before mcbSPx_clkx active edge	Master	2.87	8.63		ns
			Slave	3.67	7.94		ns
B4	$t_{h}(\text{CLKXAE-DRV})$	Hold time, mcbSPx_dr valid after mcbSPx_clkx active edge	Master	1.01	1.01		ns
			Slave	0.4	0.4		ns
B5	$t_{su}(\text{FSXV-CLKXAE})$	Setup time, mcbSPx_fsx valid before mcbSPx_clkx active edge	3.67		7.94		ns
B6	$t_{h}(\text{CLKXAE-FSXV})$	Hold time, mcbSPx_fsx valid after mcbSPx_clkx active edge	0.5		0.5		ns

- (1) In mcbSPx, x identifies the McBSP number: 4. Note that for the McBSP4, these timings concern only Set #1: multiplexing mode by default. The McBSP4 is also multiplexed on GPMC pins (Set #2): the corresponding timings are specified in [Table 6-51](#) and [Table 6-52](#).
- (2) See [Section 4.3.4, Processor Clocks](#).

**Table 6-50. McBSP4 (Set #1) Switching Characteristics—Rising Edge and Receive Mode<sup>(1) (2)</sup>**

NO.	PARAMETER		OPP100		OPP50		UNIT
			MIN	MAX	MIN	MAX	
B2	$t_{d}(\text{CLKXAE-FSXV})$	Delay time, mcbSPx_clkx active edge to mcbSPx_fsx valid	0.7	16.56	0.7	33.12	ns

- (1) In mcbSPx, x identifies the McBSP number: 4. Note that for the McBSP4, these timings concern only Set #1: multiplexing mode by default. The McBSP4 is also multiplexed on GPMC pins (Set #2): the corresponding timings are specified in [Table 6-51](#) and [Table 6-52](#).
- (2) See [Section 4.3.4, Processor Clocks](#).

**Table 6-51. McBSP3 (Set #1), 4 (Set #2), and 5 Timing Requirements—Rising Edge and Receive Mode<sup>(1) (2)</sup>**

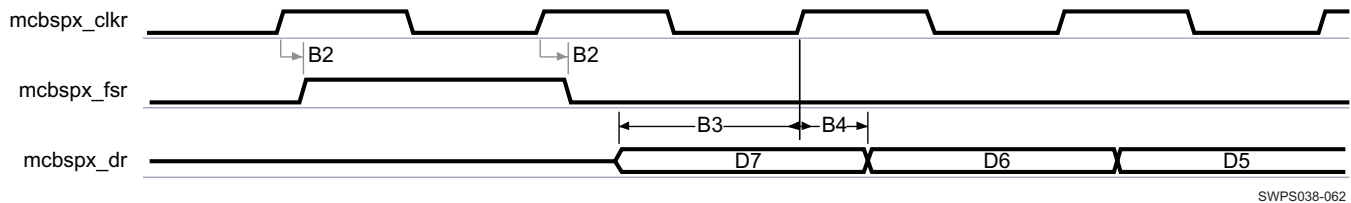
NO.	PARAMETER		OPP100		OPP50		UNIT
			MIN	MAX	MIN	MAX	
B3	$t_{su}(\text{DRV-CLKXAE})$	Setup time, mcbSPx_dr valid before mcbSPx_clkx active edge	Master	6.49	12.90		ns
			Slave	5.80	12.21		ns
B4	$t_{h}(\text{CLKXAE-DRV})$	Hold time, mcbSPx_dr valid after mcbSPx_clkx active edge	Master	1.01	1.01		ns
			Slave	0.4	0.4		ns
B5	$t_{su}(\text{FSXV-CLKXAE})$	Setup time, mcbSPx_fsx valid before mcbSPx_clkx active edge	5.81		12.21		ns
B6	$t_{h}(\text{CLKXAE-FSXV})$	Hold time, mcbSPx_fsx valid after mcbSPx_clkx active edge	0.5		0.5		ns

- (1) In mcbsp<sub>x</sub>, x identifies the McBSP number: 3, 4, or 5. Note that for the McBSP3, these timings concern only Set #1: multiplexing mode by default. The McBSP3 is also multiplexed on UART pins (Set #2) and on McBSP1 pins (Set #3): the corresponding timings are specified in Table 6-47 and Table 6-48. For the McBSP4, these timings concern only Set #2 (multiplexing mode on GPMC pins).
- (2) See Section 4.3.4, Processor Clocks.

**Table 6-52. McBSP3 (Set #1), 4 (Set #2), and 5 Switching Characteristics—Rising Edge and Receive Mode<sup>(1) (2)</sup>**

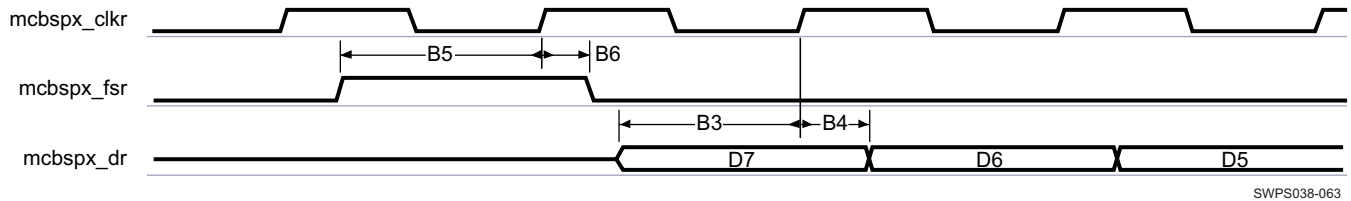
NO.	PARAMETER		OPP100		OPP50		UNIT
			MIN	MAX	MIN	MAX	
B2	$t_{d(CLKXAE-FSXV)}$	Delay time, mcbsp <sub>x</sub> _clkx active edge to mcbsp <sub>x</sub> _fsx valid	0.7	22.18	0.7	44.37	ns

- (1) In mcbsp<sub>x</sub>, x identifies the McBSP number: 3, 4, or 5. Note that for the McBSP3, these timings concern only Set #1: multiplexing mode by default. The McBSP3 is also multiplexed on UART pins (Set #2) and on McBSP1 pins (Set #3): the corresponding timings are specified in Table 6-47 and Table 6-48. For the McBSP4, these timings concern only Set #2 (multiplexing mode on GPMC pins)
- (2) See Section 4.3.4, Processor Clocks.



- (1) In mcbsp<sub>x</sub>, x identifies the McBSP number: 1, 2, 3, 4, or 5.

**Figure 6-36. McBSP Rising Edge Receive Timing in Master Mode**



- (1) In mcbsp<sub>x</sub>, x identifies the McBSP number: 1, 2, 3, 4, or 5.

**Figure 6-37. McBSP Rising Edge Receive Timing in Slave Mode**

**6.6.1.1.1.2 Timing with Rising Edge as Activation Edge—Transmit Mode**

**Table 6-53. McBSP1, 2, and 3 (Sets #2 and #3) Timing Requirements—Rising Edge and Transmit Mode<sup>(1)</sup>**

NO.	PARAMETER		OPP100		OPP50		UNIT
			MIN	MAX	MIN	MAX	
B5	$t_{su}(FSXV-CLKXAE)$	Setup time, mcbsp <sub>x</sub> _fsx valid before mcbsp <sub>x</sub> _clkx active edge	3.67		7.94		ns
B6	$t_{h}(CLKXAE-FSXV)$	Hold time, mcbsp <sub>x</sub> _fsx valid after mcbsp <sub>x</sub> _clkx active edge	0.5		0.5		ns

- (1) In mcbSPx, x identifies the McBSP number: 1, 2, or 3. Note that for the McBSP3, these timings concern only Set #2 (multiplexing mode on UART pins) and Set #3 (multiplexing mode on McBSP1 pins).
- (2) See [Section 4.3.4, Processor Clocks](#).

**Table 6-54. McBSP1, 2, and 3 (Sets #2 and #3) Switching Characteristics—Rising Edge and Transmit Mode<sup>(1) (2)</sup>**

NO.	PARAMETER		OPP100		OPP50		UNIT	
			MIN	MAX	MIN	MAX		
B2	$t_{d(CLKXAE-FSXV)}$	Delay time, mcbSPx_clkx active edge to mcbSPx_fsx valid	0.7	14.79	0.7	29.58	ns	
B8	$t_{d(CLKXAE-DXV)}$	Delay time, mcbSPx_clkx active edge to mcbSPx_dx valid	Master	0.6	14.79	0.6	29.58	ns
			Slave	0.6	13.89	0.6	28.68	ns

- (1) In mcbSPx, x identifies the McBSP number: 1, 2, or 3. Note that for the McBSP3, these timings concern only Set #2 (multiplexing mode on UART pins) and Set #3 (multiplexing mode on McBSP1 pins).

(2) See [Section 4.3.4, Processor Clocks](#).

**Table 6-55. McBSP4 (Set #1) Timing Requirements—Rising Edge and Transmit Mode<sup>(1) (2)</sup>**

NO.	PARAMETER		OPP100		OPP50		UNIT
			MIN	MAX	MIN	MAX	
B5	$t_{su(FSXV-CLKXAE)}$	Setup time, mcbSPx_fsx valid before mcbSPx_clkx active edge	3.67		7.94		ns
B6	$t_h(CLKXAE-FSXV)$	Hold time, mcbSPx_fsx valid after mcbSPx_clkx active edge	0.5		0.5		ns

- (1) In mcbSPx, x identifies the McBSP number: 4. Note that for the McBSP4, these timings concern only Set #1: multiplexing mode by default. The McBSP4 is also multiplexed on GPMC pins (Set #2): the corresponding timings are specified in [Table 6-57](#) and [Table 6-58](#).

(2) See [Section 4.3.4, Processor Clocks](#).

**Table 6-56. McBSP4 (Set #1) Switching Characteristics—Rising Edge and Transmit Mode<sup>(1) (2)</sup>**

NO.	PARAMETER		OPP100		OPP50		UNIT	
			MIN	MAX	MIN	MAX		
B2	$t_{d(CLKXAE-FSXV)}$	Delay time, mcbSPx_clkx active edge to mcbSPx_fsx valid	0.7	16.56	0.7	33.12	ns	
B8	$t_{d(CLKXAE-DXV)}$	Delay time, mcbSPx_clkx active edge to mcbSPx_dx valid	Master	0.6	16.56	0.6	33.12	ns
			Slave	0.6	17.15	0.6	32.22	ns

- (1) In mcbSPx, x identifies the McBSP number: 4. Note that for the McBSP4, these timings concern only Set #1: multiplexing mode by default. The McBSP4 is also multiplexed on GPMC pins (Set #2): the corresponding timings are specified in [Table 6-57](#) and [Table 6-58](#).

(2) See [Section 4.3.4, Processor Clocks](#).

**Table 6-57. McBSP3 (Set #1), 4 (Set #2), and 5 Timing Requirements—Rising Edge and Transmit Mode<sup>(1) (2)</sup>**

NO.	PARAMETER		OPP100		OPP50		UNIT
			MIN	MAX	MIN	MAX	
B5	$t_{su(FSXV-CLKXAE)}$	Setup time, mcbSPx_fsx valid before mcbSPx_clkx active edge	5.81		12.21		ns
B6	$t_h(CLKXAE-FSXV)$	Hold time, mcbSPx_fsx valid after mcbSPx_clkx active edge	0.5		0.5		ns

- (1) In mcbSPx, x identifies the McBSP number: 3, 4, or 5. Note that for the McBSP3, these timings concern only Set #1: multiplexing mode by default. The McBSP3 is also multiplexed on UART pins (Set #2) and on McBSP1 pins (Set #3): the corresponding timings are specified in [Table 6-53](#) and [Table 6-54](#).

For the McBSP4, these timings concern only Set #2 (multiplexing mode on GPMC pins).

(2) See [Section 4.3.4, Processor Clocks](#).



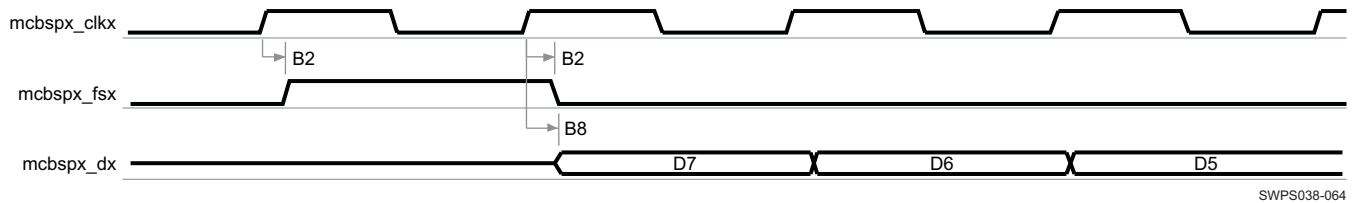
**Table 6-58. McBSP3 (Set #1), 4 (Set #2), and 5 Switching Characteristics—Rising Edge and Transmit Mode<sup>(1) (2)</sup>**

NO.	PARAMETER		OPP100		OPP50		UNIT	
			MIN	MAX	MIN	MAX		
B2	$t_{d(CLKXAE-FSXV)}$	Delay time, mcbsp_x_clkx active edge to mcbsp_x_fsx valid	0.7	22.18	0.7	44.37	ns	
B8	$t_{d(CLKXAE-DXV)}$	Delay time, mcbsp_x_clkx active edge to mcbsp_x_dx valid	Master	0.6	21.28	0.6	43.47	ns
			Slave	0.6	21.28	0.6	43.47	ns

(1) In mcbsp\_x, x identifies the McBSP number: 3, 4, or 5. Note that for the McBSP3, these timings concern only Set #1: multiplexing mode by default. The McBSP3 is also multiplexed on UART pins (Set #2) and on McBSP1 pins (Set #3): the corresponding timings are specified in Table 6-53 and Table 6-54.

For the McBSP4, these timings concern only Set #2 (multiplexing mode on GPMC pins).

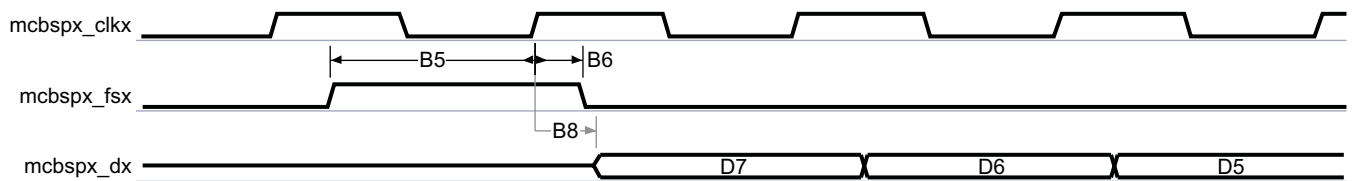
(2) See Section 4.3.4, Processor Clocks.



SWPS038-064

(1) In mcbsp\_x, x identifies the McBSP number: 1, 2, 3, 4, or 5.

**Figure 6-38. McBSP Rising Edge Transmit Timing in Master Mode**



SWPS038-065

(1) In mcbsp\_x, x identifies the McBSP number: 1, 2, 3, 4, or 5.

**Figure 6-39. McBSP Rising Edge Transmit Timing in Slave Mode**

### 6.6.1.1.2 Falling Edge as Activation Edge

#### 6.6.1.1.2.1 Timing with Falling Edge as Activation Edge Mode—Receive Mode

**Table 6-59. McBSP1, 2, 3 (Sets #2 and #3) Timing Requirements—Falling Edge and Receive Mode<sup>(1) (2)</sup>**

NO.	PARAMETER		OPP100		OPP50		UNIT
			MIN	MAX	MIN	MAX	
B3	$t_{su(DRV-CLKAE)}$	Setup time, mcbsp_x_dr valid before mcbsp1_clkr / mcbsp_x_clkx active edge	Master	4.36	8.63		ns
			Slave	3.67	7.94		ns
B4	$t_h(CLKAE-DRV)$	Hold time, mcbsp_x_dr valid after mcbsp1_clkr / mcbsp_x_clkx active edge	Master	1.01	1.01		ns
			Slave	0.4	0.4		ns
B5	$t_{su(FSV-CLKAE)}$	Setup time, mcbsp1_fsr / mcbsp_x_fsx valid before mcbsp1_clkr / mcbsp_x_clkx active edge	3.7		7.94		ns
B6	$t_h(CLKAE-FSV)$	Hold time, mcbsp1_fsr / mcbsp_x_fsx valid after mcbsp1_clkr / mcbsp_x_clkx active edge	0.5		0.5		ns

- (1) In mcbSPx, x identifies the McBSP number: 1, 2, or 3. Note that for the McBSP3, these timings concern only Set #2 (multiplexing mode on UART pins) and Set #3 (multiplexing mode on McBSP1 pins).
- (2) See [Section 4.3.4, Processor Clocks](#).

**Table 6-60. McBSP1, 2, and 3 (Sets #2 and #3) Switching Characteristics—Falling Edge and Receive Mode<sup>(1) (2)</sup>**

NO.	PARAMETER		OPP100		OPP50		UNIT
			MIN	MAX	MIN	MAX	
B2	$t_{d}(\text{CLKAE-FSV})$	Delay time, mcbSP1_clk / mcbSPx_clkx active edge to mcbSP1_fsr / mcbSPx_fsx valid	0.7	14.79	0.7	29.58	ns

- (1) In mcbSPx, x identifies the McBSP number: 1, 2, or 3. Note that for the McBSP3, these timings concern only Set #2 (multiplexing mode on UART pins) and Set #3 (multiplexing mode on McBSP1 pins).
- (2) See [Section 4.3.4, Processor Clocks](#).

**Table 6-61. McBSP4 (Set #1) Timing Requirements—Falling Edge and Receive Mode<sup>(1) (2)</sup>**

NO.	PARAMETER		OPP100		OPP50		UNIT
			MIN	MAX	MIN	MAX	
B3	$t_{su}(\text{DRV-CLKXAE})$	Setup time, mcbSPx_dr valid before mcbSPx_clkx active edge	Master	2.87	8.63		ns
			Slave	3.67	7.94		ns
B4	$t_{h}(\text{CLKXAE-DRV})$	Hold time, mcbSPx_dr valid after mcbSPx_clkx active edge	Master	1.01	1.01		ns
			Slave	0.4	0.4		ns
B5	$t_{su}(\text{FSXV-CLKXAE})$	Setup time, mcbSPx_fsx valid before mcbSPx_clkx active edge	3.67		7.94		ns
B6	$t_{h}(\text{CLKXAE-FSXV})$	Hold time, mcbSPx_fsx valid after mcbSPx_clkx active edge	0.5		0.5		ns

- (1) In mcbSPx, x identifies the McBSP number: 4. Note that for the McBSP4, these timings concern only Set #1: multiplexing mode by default. The McBSP4 is also multiplexed on GPMC pins (Set #2): the corresponding timings are specified in [Table 6-63](#) and [Table 6-64](#).
- (2) See [Section 4.3.4, Processor Clocks](#).

**Table 6-62. McBSP4 (Set #1) Switching Characteristics—Falling Edge and Receive Mode<sup>(1) (2)</sup>**

NO.	PARAMETER		OPP100		OPP50		UNIT
			MIN	MAX	MIN	MAX	
B2	$t_{d}(\text{CLKXAE-FSXV})$	Delay time, mcbSPx_clkx active edge to mcbSPx_fsx valid	0.7	16.56	0.7	33.12	ns

- (1) In mcbSPx, x identifies the McBSP number: 4. Note that for the McBSP4, these timings concern only Set #1: multiplexing mode by default. The McBSP4 is also multiplexed on GPMC pins (Set #2): the corresponding timings are specified in [Table 6-63](#) and [Table 6-64](#).
- (2) See [Section 4.3.4, Processor Clocks](#).

**Table 6-63. McBSP3 (Set #1), 4 (Set #2), and 5 Timing Requirements—Falling Edge and Receive Mode<sup>(1) (2)</sup>**

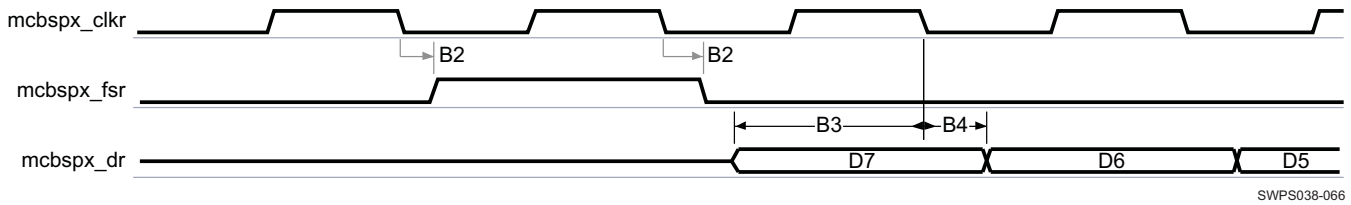
NO.	PARAMETER		OPP100		OPP50		UNIT
			MIN	MAX	MIN	MAX	
B3	$t_{su}(\text{DRV-CLKXAE})$	Setup time, mcbSPx_dr valid before mcbSPx_clkx active edge	Master	6.5	12.9		ns
			Slave	5.81	12.21		ns
B4	$t_{h}(\text{CLKXAE-DRV})$	Hold time, mcbSPx_dr valid after mcbSPx_clkx active edge	Master	1.01	1.01		ns
			Slave	0.4	0.4		ns
B5	$t_{su}(\text{FSXV-CLKXAE})$	Setup time, mcbSPx_fsx valid before mcbSPx_clkx active edge	5.81		12.21		ns
B6	$t_{h}(\text{CLKXAE-FSXV})$	Hold time, mcbSPx_fsx valid after mcbSPx_clkx active edge	0.5		0.5		ns

- (1) In mcbsp<sub>x</sub>, x identifies the McBSP number: 3, 4, or 5. Note that for the McBSP3, these timings concern only Set #1: multiplexing mode by default. The McBSP3 is also multiplexed on UART pins (Set #2) and on McBSP1 pins (Set #3): the corresponding timings are specified in Table 6-59 and Table 6-60. For the McBSP4, these timings concern only Set #2 (multiplexing mode on GPMC pins).
- (2) See Section 4.3.4, Processor Clocks.

**Table 6-64. McBSP3 (Set #1), 4 (Set #2), and 5 Switching Characteristics—Falling Edge and Receive Mode<sup>(1) (2)</sup>**

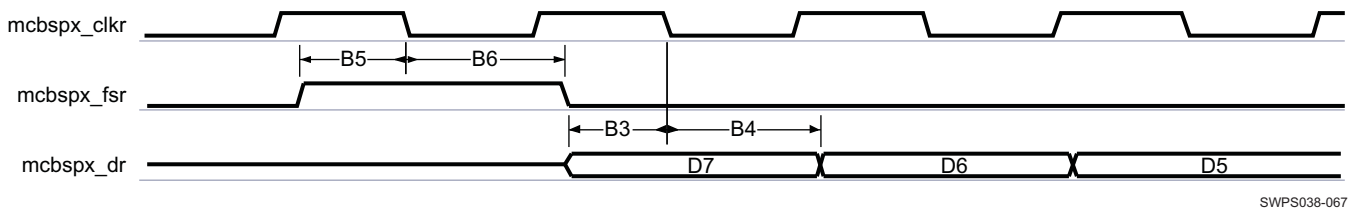
NO.	PARAMETER		OPP100		OPP50		UNIT
			MIN	MAX	MIN	MAX	
B2	$t_{d(CLKXAE-FSXV)}$	Delay time, mcbsp <sub>x</sub> _clkx active edge to mcbsp <sub>x</sub> _fsx valid	0.7	22.19	0.7	44.37	ns

- (1) In mcbsp<sub>x</sub>, x identifies the McBSP number: 3, 4, or 5. Note that for the McBSP3, these timings concern only Set #1: multiplexing mode by default. The McBSP3 is also multiplexed on UART pins (Set #2) and on McBSP1 pins (Set #3): the corresponding timings are specified in Table 6-59 and Table 6-60.
- (2) See Section 4.3.4, Processor Clocks.



- (1) In mcbsp<sub>x</sub>, x identifies the McBSP number: 1, 2, 3, 4, or 5.

**Figure 6-40. McBSP Falling Edge Receive Timing in Master Mode**



- (1) In mcbsp<sub>x</sub>, x identifies the McBSP number: 1, 2, 3, 4, or 5.

**Figure 6-41. McBSP Falling Edge Receive Timing in Slave Mode**

**6.6.1.1.2.2 Timing with Falling Edge as Activation Edge—Transmit Mode**

**Table 6-65. McBSP1, 2, and 3 (Sets #2 and #3) Timing Requirements—Falling Edge and Transmit Mode<sup>(1)(2)</sup>**

NO.	PARAMETER		OPP100		OPP50		UNIT
			MIN	MAX	MIN	MAX	
B5	$t_{su(FSXV-CLKXAE)}$	Setup time, mcbsp <sub>x</sub> _fsx valid before mcbsp <sub>x</sub> _clkx active edge	3.67		7.94		ns
B6	$t_{h(CLKXAE-FSXV)}$	Hold time, mcbsp <sub>x</sub> _fsx valid after mcbsp <sub>x</sub> _clkx active edge	0.5		0.5		ns

- (1) In mcbSPx, x identifies the McBSP number: 1, 2, or 3. Note that for the McBSP3, these timings concern only Set #2 (multiplexing mode on UART pins) and Set #3 (multiplexing mode on McBSP1 pins).
- (2) See [Section 4.3.4, Processor Clocks](#).

**Table 6-66. McBSP1, 2, and 3 (Sets #2 and #3) Switching Characteristics—Falling Edge and Transmit Mode<sup>(1)(2)</sup>**

NO.	PARAMETER		OPP100		OPP50		UNIT	
			MIN	MAX	MIN	MAX		
B2	$t_{d(CLKXAE-FSXV)}$	Delay time, mcbSPx_clkx active edge to mcbSPx_fsx valid	0.7	14.79	0.7	29.58	ns	
B8	$t_{d(CLKXAE-DXV)}$	Delay time, mcbSPx_clkx active edge to mcbSPx_dx valid	Master	0.6	14.79	0.6	29.58	ns
			Slave	0.6	13.89	0.6	28.68	ns

- (1) In mcbSPx, x identifies the McBSP number: 1, 2, or 3. Note that for the McBSP3, these timings concern only Set #2 (multiplexing mode on UART pins) and Set #3 (multiplexing mode on McBSP1 pins).
- (2) See [Section 4.3.4, Processor Clocks](#).

**Table 6-67. McBSP4 (Set #1) Timing Requirements—Falling Edge and Transmit Mode<sup>(1)(2)</sup>**

NO.	PARAMETER		OPP100		OPP50		UNIT
			MIN	MAX	MIN	MAX	
B5	$t_{su(FSXV-CLKXAE)}$	Setup time, mcbSPx_fsx valid before mcbSPx_clkx active edge	3.67		7.94		ns
B6	$t_h(CLKXAE-FSXV)$	Hold time, mcbSPx_fsx valid after mcbSPx_clkx active edge	0.5		0.5		ns

- (1) In mcbSPx, x identifies the McBSP number: 4. Note that for the McBSP4, these timings concern only Set #1: multiplexing mode by default. The McBSP4 is also multiplexed on GPMC pins (Set #2): the corresponding timings are specified in [Table 6-69](#) and [Table 6-70](#).
- (2) See [Section 4.3.4, Processor Clocks](#).

**Table 6-68. McBSP4 (Set #1) Switching Characteristics—Falling Edge and Transmit Mode<sup>(1) (2)</sup>**

NO.	PARAMETER		OPP100		OPP50		UNIT	
			MIN	MAX	MIN	MAX		
B2	$t_{d(CLKXAE-FSXV)}$	Delay time, mcbSPx_clkx active edge to mcbSPx_fsx valid	0.7	16.56	0.7	33.12	ns	
B8	$t_{d(CLKXAE-DXV)}$	Delay time, mcbSPx_clkx active edge to mcbSPx_dx valid	Master	0.6	16.56	0.6	33.12	ns
			Slave	0.6	17.15	0.6	32.22	ns

- (1) In mcbSPx, x identifies the McBSP number: 4. Note that for the McBSP4, these timings concern only Set #1: multiplexing mode by default. The McBSP4 is also multiplexed on GPMC pins (Set #2): the corresponding timings are specified in [Table 6-69](#) and [Table 6-70](#).
- (2) See [Section 4.3.4, Processor Clocks](#).

**Table 6-69. McBSP3 (Set #1), 4 (Set #2), and 5 Timing Requirements—Falling Edge and Transmit Mode<sup>(1) (2)</sup>**

NO.	PARAMETER		OPP100		OPP50		UNIT
			MIN	MAX	MIN	MAX	
B5	$t_{su(FSXV-CLKXAE)}$	Setup time, mcbSPx_fsx valid before mcbSPx_clkx active edge	5.81		12.21		ns
B6	$t_h(CLKXAE-FSXV)$	Hold time, mcbSPx_fsx valid after mcbSPx_clkx active edge	0.5		0.5		ns

- (1) In mcbSPx, x identifies the McBSP number: 3, 4, or 5. Note that for the McBSP3, these timings concern only Set #1: multiplexing mode by default. The McBSP3 is also multiplexed on UART pins (Set #2) and on McBSP1 pins (Set #3): the corresponding timings are specified in [Table 6-66](#) and [Table 6-67](#).  
For the McBSP4, these timings concern only Set #2 (multiplexing mode on GPMC pins).
- (2) See [Section 4.3.4, Processor Clocks](#).

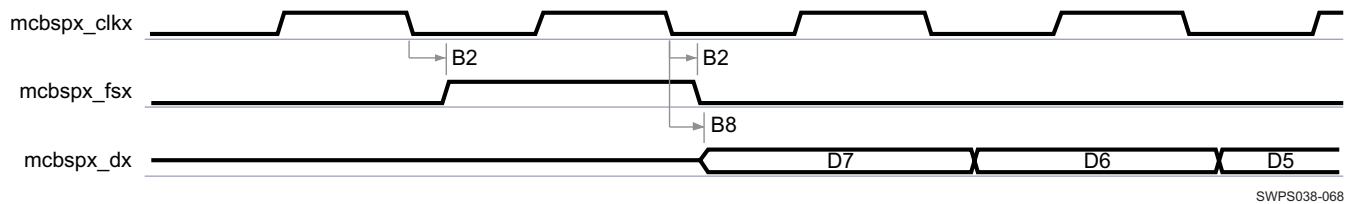
**Table 6-70. McBSP3 (Set #1), 4 (Set #2), and 5 Switching Characteristics—Falling Edge and Transmit Mode<sup>(1) (2)</sup>**

NO.	PARAMETER		OPP100		OPP50		UNIT	
			MIN	MAX	MIN	MAX		
B2	$t_{d(CLKXAE-FSXV)}$	Delay time, mcbsp_x_clkx active edge to mcbsp_x_fsx valid	0.7	22.18	0.7	44.37	ns	
B8	$t_{d(CLKXAE-DXV)}$	Delay time, mcbsp_x_clkx active edge to mcbsp_x_dx valid	Master	0.6	21.28	0.6	43.47	ns
			Slave	0.6	21.28	0.6	43.47	ns

(1) In mcbsp\_x, x identifies the McBSP number: 3, 4, or 5. Note that for the McBSP3, these timings concern only Set #1: multiplexing mode by default. The McBSP3 is also multiplexed on UART pins (Set #2) and on McBSP1 pins (Set #3): the corresponding timings are specified in Table 6-66 and Table 6-67.

For the McBSP4, these timings concern only Set #2 (multiplexing mode on GPMC pins).

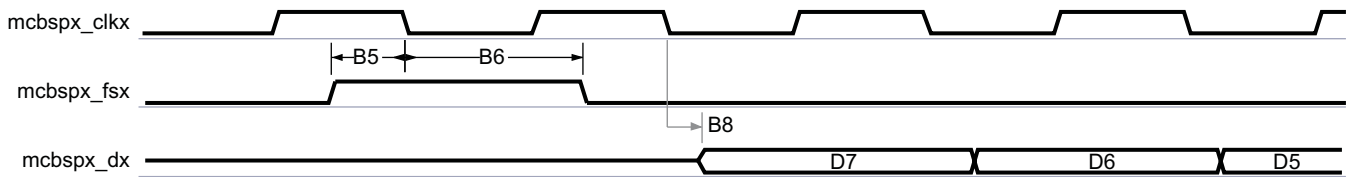
(2) See Section 4.3.4, Processor Clocks.



SWPS038-068

(1) In mcbsp\_x, x identifies the McBSP number: 1, 2, 3, 4, or 5.

**Figure 6-42. McBSP Falling Edge Transmit Timing in Master Mode**



SWPS038-069

(1) In mcbsp\_x, x identifies the McBSP number: 1, 2, 3, 4, or 5.

**Figure 6-43. McBSP Falling Edge Transmit Timing in Slave Mode**

**6.6.1.2 McBSP in TDM —Multipoint Mode (McBSP3)**

For T application in multipoint mode, the processor is considered as a slave. Table 6-72 and Table 6-73 assume testing over the operating conditions and electrical characteristic conditions described below.

**Table 6-71. McBSP3 (Set #3) Timing Conditions—T Multipoint Mode<sup>(1)</sup>**

TIMING CONDITION PARAMETER		VALUE		UNIT
		MIN	MAX	
<b>Input Conditions</b>				
$t_R$	Input signal rise time	1.0	8.5	ns
$t_F$	Input signal fall time	1.0	8.5	ns
<b>Output Condition</b>				
$C_{LOAD}$	Output load capacitance <sup>(2)</sup>		40	pF

(1) For McBSP3, these timings concern only Set #3 (multiplexing mode in McBSP1 pins)

(2) The load setting of the IO buffer: LB0 = 0.

**Table 6-72. McBSP3 (Set #3) Timing Requirements—T Multipoint Mode<sup>(4)</sup>**

NO.	PARAMETER		OPP100		OPP50		UNIT
			MIN	MAX	MIN	MAX	
	$1 / t_{c(clkxH)}$	Frequency, input clock mcbsp3_clkx		6	6	MHz	

**Table 6-72. McBSP3 (Set #3) Timing Requirements—T Multipoint Mode<sup>(4)</sup> (continued)**

NO.	PARAMETER		OPP100		OPP50		UNIT
			MIN	MAX	MIN	MAX	
	$t_{w(\text{clkxH})}$	Pulse duration, input clock mcbasp3_clkx high	0.5P <sup>(1)</sup>		0.5P <sup>(1)</sup>		ns
	$t_{w(\text{clkxL})}$	Pulse duration, input clock mcbasp3_clkx low	0.5P <sup>(1)</sup>		0.5P <sup>(1)</sup>		ns
	$t_{dc(\text{clkx})}$	Duty cycle error, input clock mcbasp3_clkx	-8.14	8.14	-8.14	8.14	ns
B3 <sup>(3)</sup>	$t_{su(\text{drV-clkxAE})}$	Setup time, input data mcbasp3_dr valid before input clock mcbasp3_clkx active edge	9		9		ns
B4 <sup>(3)</sup>	$t_{h(\text{clkxAE-drV})}$	Hold time, input data mcbasp3_dr valid after input clock mcbasp3_clkx active edge	2.4		2.4		ns
B5 <sup>(3)</sup>	$t_{su(\text{fsxV-clkxAE})}$	Setup time, input frame synchronization mcbasp3_fsx valid before input clock mcbasp3_clkx active edge	9		9		ns
B6 <sup>(3)</sup>	$t_{h(\text{clkxAE-fsxV})}$	Hold time, input frame synchronization mcbasp3_fsx valid after input clock mcbasp3_clkx active edge	2.4		2.4		ns

(1) P = input clock mcbasp3\_clkx period in ns

(2) For McBSP3, these timings concern only Set #3 (multiplexing mode in McBSP1 pins).

(3) See [Section 6.6.1.1](#) for corresponding figures.

(4) See [Section 4.3.4](#), *Processor Clocks*.

**Table 6-73. McBSP3 (Set #3) Switching Characteristics—T Multipoint Mode<sup>(1)</sup>**

NO.	PARAMETER		OPP100		OPP50		UNIT
			MIN	MAX	MIN	MAX	
B8 <sup>(2)</sup>	$t_{d(\text{clkxAE-dxV})}$	Delay time, mcbasp3_clkx active edge to output data mcbasp3_dx valid	0.6	15.89	0.6	28.68	ns

(1) For McBSP3, these timings concern only Set #3 (multiplexing mode in McBSP1 pins).

(2) See [Section 6.6.1.1](#) for corresponding figures.

## 6.6.2 Multichannel Serial Port Interface (McSPI)

### NOTE

For more information, see Multichannel SPI chapter of the *AM/DM37x Multimedia Device Technical Reference Manual* (literature number [SPRUGN4](#)).

McSPI allows a duplex, synchronous, serial communication between a local host and SPI compliant external devices. The following timings are applicable to the different configurations of McSPI in master/slave mode for any McSPI and any channel (n).

### 6.6.2.1 McSPI—Slave Mode

In slave mode, McSPI initiates data transfer on the data lines (mcspix\_somi, mcspix\_simo) when it receives an SPI clock (mcspix\_clk) from the external SPI master device.

[Table 6-75](#) and [Table 6-76](#) assume testing over the recommended operating conditions and electrical characteristic conditions below (see [Figure 6-44](#) and [Figure 6-45](#)).

**Table 6-74. McSPI Timing Conditions—Slave Mode**

TIMING CONDITION PARAMETER		VALUE	UNIT
<b>Input Conditions</b>			
$t_R$	Input signal rise time	4	ns
$t_F$	Input signal fall time	4	ns
<b>Output Condition</b>			
$C_{LOAD}$	Output load capacitance <sup>(1)</sup>	20	pF

(1) The load setting of the IO buffer: LB0 = 1.

**Table 6-75. McSPI Timing Requirements—Slave Mode<sup>(1) (3)</sup>**

NO.	PARAMETER		OPP100		OPP50		UNIT
			MIN	MAX	MIN	MAX	
SS0	$1/t_c(\text{CLK})$	Frequency, mcspix_clk		24		12	MHz
SS1	$t_w(\text{CLK})$	Pulse duration, mcspix_clk high or low	$0.45 \cdot P^{(2)}$	$0.55 \cdot P^{(2)}$	$0.45 \cdot P^{(2)}$	$0.55 \cdot P^{(2)}$	ns
SS2	$t_{su}(\text{SIMOV-CLKAE})$	Setup time, mcspix_simo valid before mcspix_clk active edge	4.2		9.5		ns
SS3	$t_h(\text{SIMOV-CLKAE})$	Hold time, mcspix_simo valid after mcspix_clk active edge	4.6		9.9		ns
SS4	$t_{su}(\text{CS0V-CLKFE})$	Setup time, mcspix_cs0 valid before mcspix_clk first edge	13.8		28.6		ns
SS5	$t_h(\text{CS0I-CLKLE})$	Hold time, mcspix_cs0 invalid after mcspix_clk last edge	13.8		28.6		ns

(1) In mcspix, x is equal to 1, 2, 3, or 4.

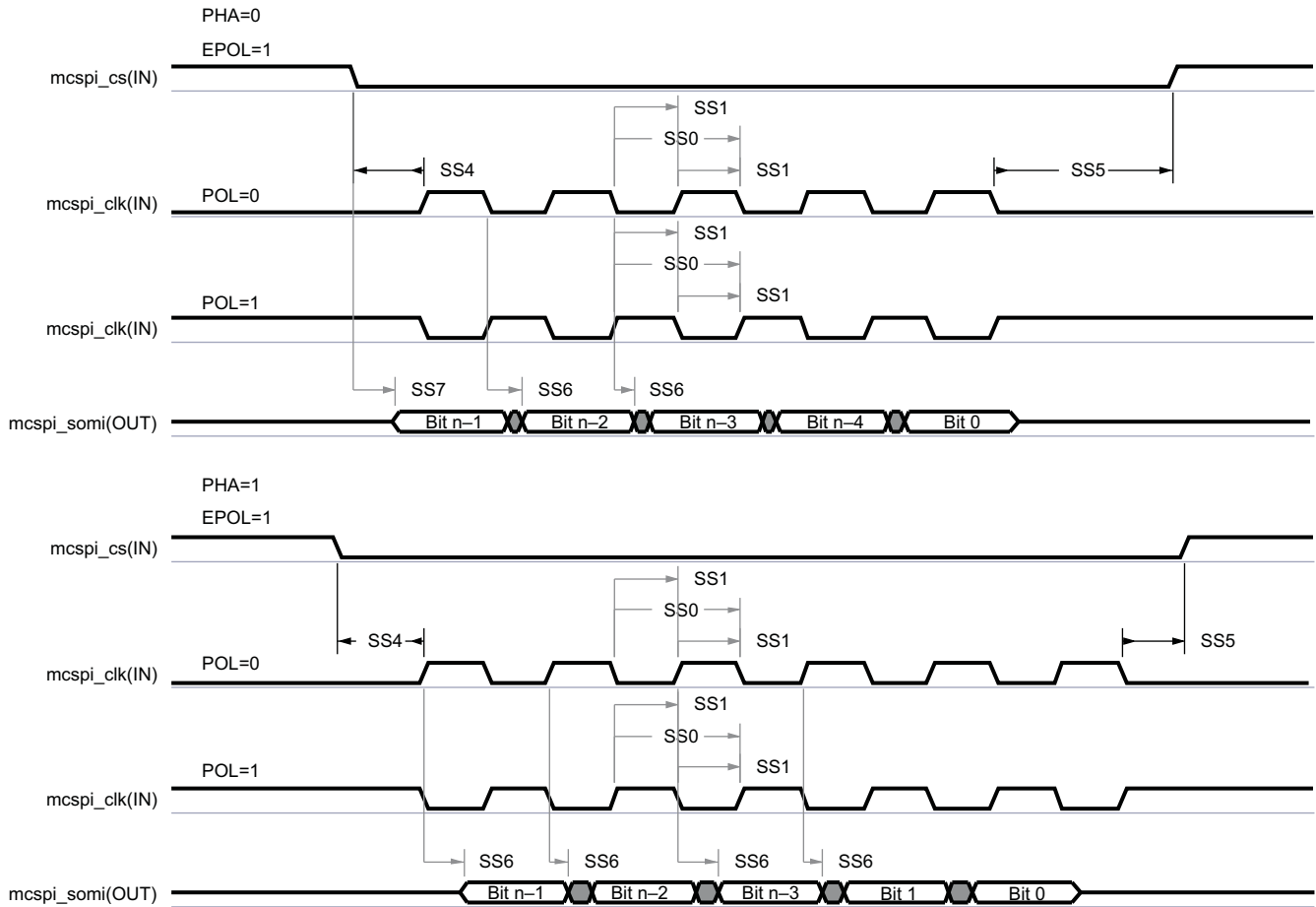
(2)  $P$  = mcspix\_clk clock period

(3) See [Section 4.3.4, Processor Clocks](#).

**Table 6-76. McSPI Switching Characteristics—Slave Mode<sup>(1) (3) (4)</sup>**

NO.	PARAMETER		OPP100		OPP50		UNIT
			MIN	MAX	MIN	MAX	
SS6	$t_{d}(\text{CLKAE-SOMIV})$	Delay time, mcspix_clk active edge to mcspix_somi shifted	1.8	15.9	3.2	31.7	ns
SS7	$t_{d}(\text{CS0AE-SOMIV})$	Delay time, mcspix_cs0 active edge to mcspix_somi shifted		15.9		31.7	ns

- (1) In mcspix, x is equal to 1, 2, 3, or 4.
- (2) The polarity of mcspix\_clk and the active edge (rising or falling) on which mcspix\_simo is driven and mcspix\_somi is latched is all software configurable:
  - mcspix\_clk<sup>(1)</sup> phase programmable with the bit PHA of MCSPI\_CH(i)CONF register: PHA = 0 (Modes 0 and 2)
 For more information, see the McSPI environment chapter, Data Format Configurations section of the *AM/DM37x Multimedia Device Technical Reference Manual* (literature number [SPRUGN4](#)) for modes and phase correspondence description.
- (3) This timing applies to all configurations regardless of mcspix\_clk polarity and which clock edges are used to drive output data and capture input data.
- (4) See [Section 4.3.4, Processor Clocks](#).

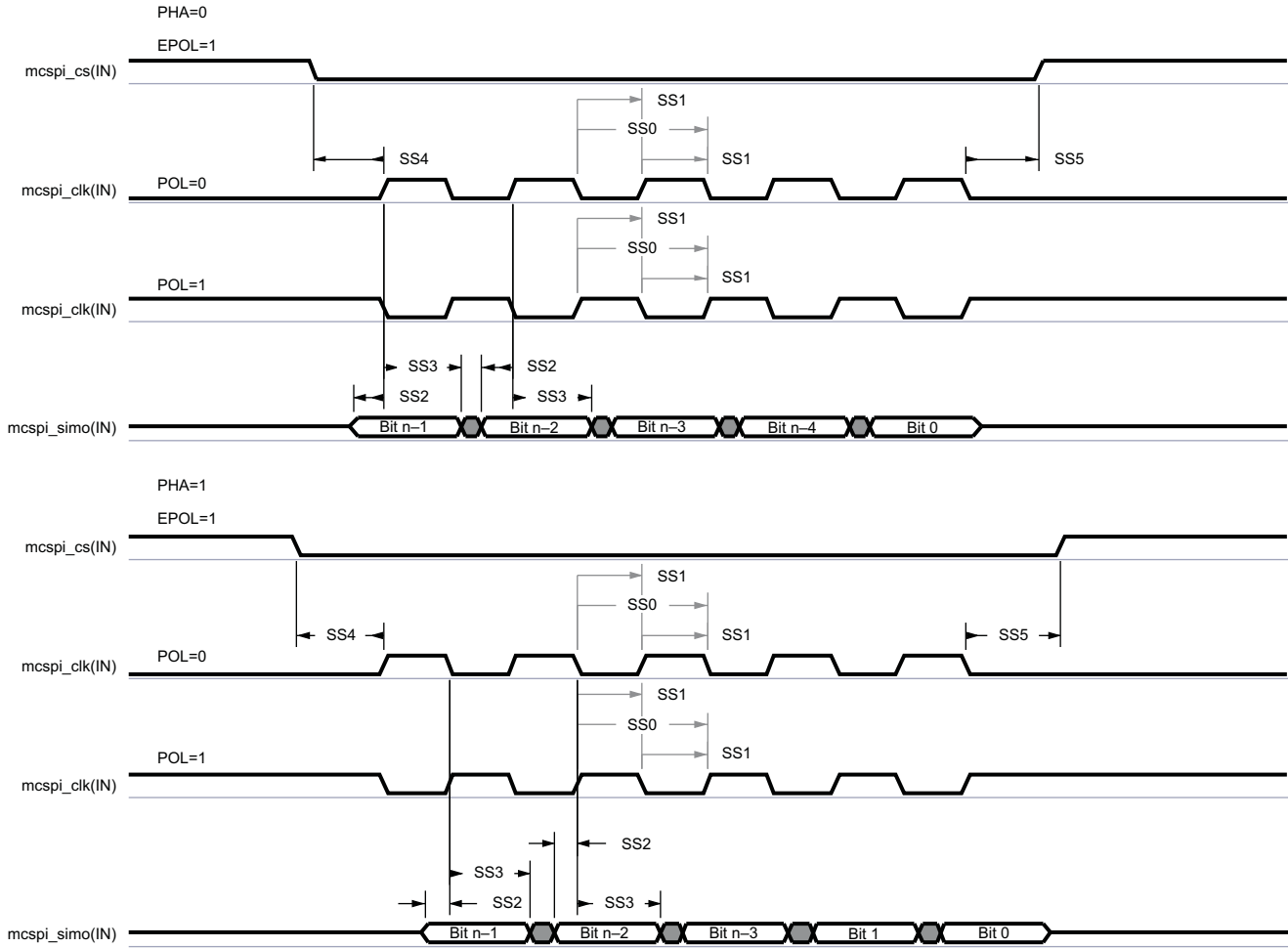


SWPS038-070

- (1) The active clock edge selection of mcspi\_clk (rising or falling) on which mcspix\_simo is driven and mcspix\_somi data is latched is software configurable with the bit MCSPI\_CH(i)CONF[1] = POL and the bit MCSPI\_CH(i)CONF[0] = PHA.
- (2) The polarity of mcspi\_cs is software configurable with the bit MCSPI\_CH(i)CONF[6] = EPOL.

**Figure 6-44. McSPI—Slave Mode—Transmit**





SWPS038-071

- (1) The active clock edge selection of mcspi\_clk (rising or falling) on which mcspi\_simo is driven and mcspi\_somi data is latched is software configurable with the bit MCSPi\_CH(i)CONF[1] = POL and the bit MCSPi\_CH(i)CONF[0] = PHA.
- (2) The polarity of mcspi\_cs is software configurable with the bit MCSPi\_CH(i)CONF[6] = EPOL.

**Figure 6-45. McSPI—Slave Mode—Receive**

### 6.6.2.2 McSPI—Master Mode

In master mode, McSPI supports multichannel communication. McSPI initiates a data transfer on the data lines (SPIDAT [1:0]) and generates clock (SPICLK) and control signals (SPIEN) to a single SPI slave device at a time.

Table 6-78 and Table 6-81 assume testing over the recommended operating conditions and electrical characteristic conditions below (see Figure 6-46 and Figure 6-47).

**Table 6-77. McSPI Timing Conditions—Master Mode<sup>(1)</sup>**

TIMING CONDITION PARAMETER		VALUE		UNIT
		MIN	MAX	
<b>Input Conditions</b>				
$t_R$	Input signal rise time	4		ns
$t_F$	Input signal fall time	4		ns
<b>Output Conditions</b>				
<b>McSPI1, McSPI2, McSPI3, and McSPI4</b>				
$C_{LOAD}$	Output load capacitance for spix_csn signals		20	pF
<b>McSPI2 and McSPI3</b>				
$C_{LOAD}$	Output load capacitance for spix_clk and spix_simo		30	pF
<b>McSPI1 and McSPI4</b>				
$C_{LOAD}$	Output load capacitance for spix_clk and spix_simo		20	pF

(1) Buffer strength configuration: LB0 = 1.

**Table 6-78. McSPI1, 2, and 4 Timing Requirements—Master Mode<sup>(1) (2)</sup>**

NO.	PARAMETER		OPP100		OPP50		UNIT
			MIN	MAX	MIN	MAX	
SM2	$t_{su}(SOMIV-CLKAE)$	Setup time, mcspix_somi valid before mcspix_clk active edge	1.1		1.5		ns
SM3	$t_h(SOMIV-CLKAE)$	Hold time, mcspix_somi valid after mcspix_clk active edge	1.9		2.8		ns

(1) In mcspix, x is equal to 1, 2, or 4. In mcspix\_csn, n is equal to 0, 1, 2, or 3 for x equal to 1, n is equal to 0 or 1 for x equal to 2 and 4.

(2) See Section 4.3.4, Processor Clocks.

**Table 6-79. McSPI1, 2, and 4 Switching Characteristics—Master Mode<sup>(1) (6)</sup>**

NO.	PARAMETER		OPP100		OPP50		UNIT
			MIN	MAX	MIN	MAX	
SM0	$1/t_c(CLK)$	Frequency, mcspix_clk		48		24	MHz
SM1	$t_w(CLK)$	Pulse duration, mcspix_clk high or low	$0.45 \cdot P^{(3)}$	$0.55 \cdot P^{(3)}$	$0.45 \cdot P^{(3)}$	$0.55 \cdot P^{(3)}$	ns
	$t_R(\text{clk})$	Rise time, output clock mcspi1_clk and mcspi4_clk		5.72		5.68	ns
		Rise time, output clock mcspi2_clk		7.33		7.31	
	$t_F(\text{clk})$	Fall time, output clock mcspi1_clk and mcspi4_clk		5.22		5.21	ns
		Fall time, output clock mcspi2_clk		6.77		6.71	
SM4	$t_d(CLKAE-SIMOV)$	Delay time, mcspix_clk active edge to mcspix_simo shifted	-2.1	5.0	-2.1	11.3	ns
SM5	$t_d(CSnA-CLKFE)$	Delay time, mcspix_csi active to mcspix_clk first edge	Modes 1 and 3 <sup>(2)</sup>	$A^{(4)} - 3.2$		$A^{(4)} - 4.4$	ns
			Modes 0 and 2 <sup>(2)</sup>	$B^{(5)} - 3.2$		$B^{(5)} - 4.4$	ns
SM6	$t_d(CLKLE-CSn)$	Delay time, mcspix_clk last edge to mcspix_csi inactive	Modes 1 and 3 <sup>(2)</sup>	$B^{(5)} - 3.2$		$B^{(5)} - 4.4$	ns
			Modes 0 and 2 <sup>(2)</sup>	$A^{(4)} - 3.2$		$A^{(4)} - 4.4$	ns
SM7	$t_d(CSnAE-SIMOV)$	Delay time, mcspix_csi active edge to mcspix_simo shifted		5.0		11.3	ns

- (1) In mcspix, x is equal to 1, 2, or 4. In mcspix\_csn, n is equal to 0, 1, 2, or 3 for x equal to 1, n is equal to 0 or 1 for x equal to 2 and 4.
- (2) The polarity of mcspix\_clk and the active edge (rising or falling) on which mcspix\_simo is driven and mcspix\_somi is latched is all software configurable:
  - mcspix\_clk<sup>(1)</sup> phase programmable with the bit PHA of MCSPI\_CH(i)CONF register: PHA = 1 (Modes 1 and 3).
  - mcspix\_clk<sup>(1)</sup> phase programmable with the bit PHA of MCSPI\_CH(i)CONF register: PHA = 0 (Modes 0 and 2).
For more information, see the McSPI environment chapter, Data Format Configurations section of the *AM/DM37x Multimedia Device Technical Reference Manual* (literature number [SPRUGN4](#)) for modes and phase correspondence description.
- (3) P = mcspix\_clk clock period
- (4) Case P = 20.8 ns, A = (TCS+0.5)\*P<sup>(3)</sup> (TCS is a bit field of MSPI\_CHCONFx[26:25] register).  
Case P > 20.8 ns, A = TCS\*P<sup>(3)</sup> (TCS is a bitfield of MSPI\_CHCONFx[26:25] register). For more information, see the McSPI chapter of the *AM/DM37x Multimedia Device Technical Reference Manual* (literature number [SPRUGN4](#)).
- (5) B = TCS\*P<sup>(3)</sup> (TCS is a bit field of MSPI\_CHCONFx[26:25] register). For more information, see the McSPI chapter of the *AM/DM37x Multimedia Device Technical Reference Manual* (literature number [SPRUGN4](#)).
- (6) See [Section 4.3.4, Processor Clocks](#).

**Table 6-80. McSPI3 Timing Requirements—Master Mode<sup>(1)</sup>**

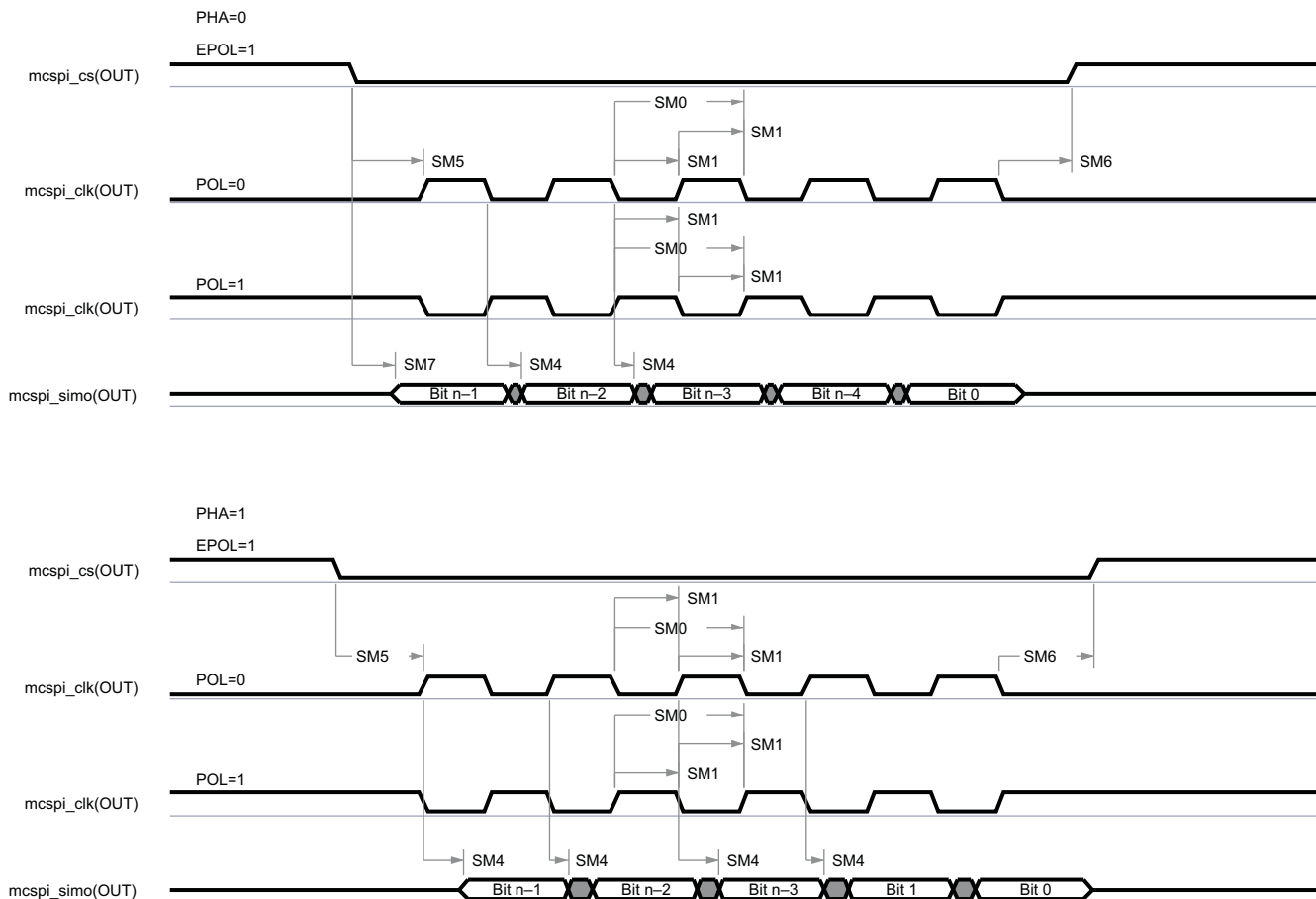
NO.	PARAMETER		OPP100		OPP50		UNIT
			MIN	MAX	MIN	MAX	
SM2	t <sub>su</sub> (SOMIV-CLKAE)	Setup time, mcspi3_somi valid before mcspi3_clk active edge	1.5		4.3		ns
SM3	t <sub>h</sub> (SOMIV-CLKAE)	Hold time, mcspi3_somi valid after mcspi3_clk active edge	2.8		5.9		ns

- (1) See [Section 4.3.4, Processor Clocks](#).

**Table 6-81. McSPI3 Switching Characteristics—Master Mode<sup>(1) (2) (6)</sup>**

NO.	PARAMETER		OPP100		OPP50		UNIT	
			MIN	MAX	MIN	MAX		
SM0	1/t <sub>c</sub> (CLK)	Frequency, mcspi3_clk		24		12	MHz	
SM1	t <sub>w</sub> (CLKH)	Pulse duration, mcspi3_clk high or low	0.45*P <sup>(3)</sup>	0.55*P <sup>(3)</sup>	0.45*P <sup>(3)</sup>	0.55*P <sup>(3)</sup>	ns	
	t <sub>R</sub> (clk)	Rise time, output clock mcspi3_clk		CBP Balls: AE2 / AE13		7.33	7.31	ns
				CBP Ball: H26		4.31	4.30	
	t <sub>F</sub> (clk)	Fall time, output clock mcspi3_clk		CBP Balls: AE2 / AE13		6.77	6.71	ns
				CBP Ball: H26		4.0	4.0	
SM4	t <sub>d</sub> (CLK-SIMO)	Delay time, mcspi3_clk active edge to mcspi3_simo shifted	-2.1	11.3	-5.3	23.6	ns	
SM5	t <sub>d</sub> (CSn-CLK)	Delay time, mcspi3_csi active to mcspi3_clk first edge	Modes 1 and 3	A <sup>(4)</sup> – 4.4		A <sup>(4)</sup> – 10.1	ns	
			Modes 0 and 2	B <sup>(5)</sup> – 4.4		B <sup>(5)</sup> – 10.1	ns	
SM6	t <sub>d</sub> (CLK-CSn)	Delay time, mcspi3_clk last edge to mcspi3_csi inactive	Modes 1 and 3	B <sup>(5)</sup> – 4.4		B <sup>(5)</sup> – 10.1	ns	
			Modes 0 and 2	A <sup>(4)</sup> – 4.4		A <sup>(4)</sup> – 10.1	ns	
SM7	t <sub>d</sub> (csn-simo)	Delay time, mcspi3_csi active edge to mcspi3_simo shifted		11.3		23.6	ns	

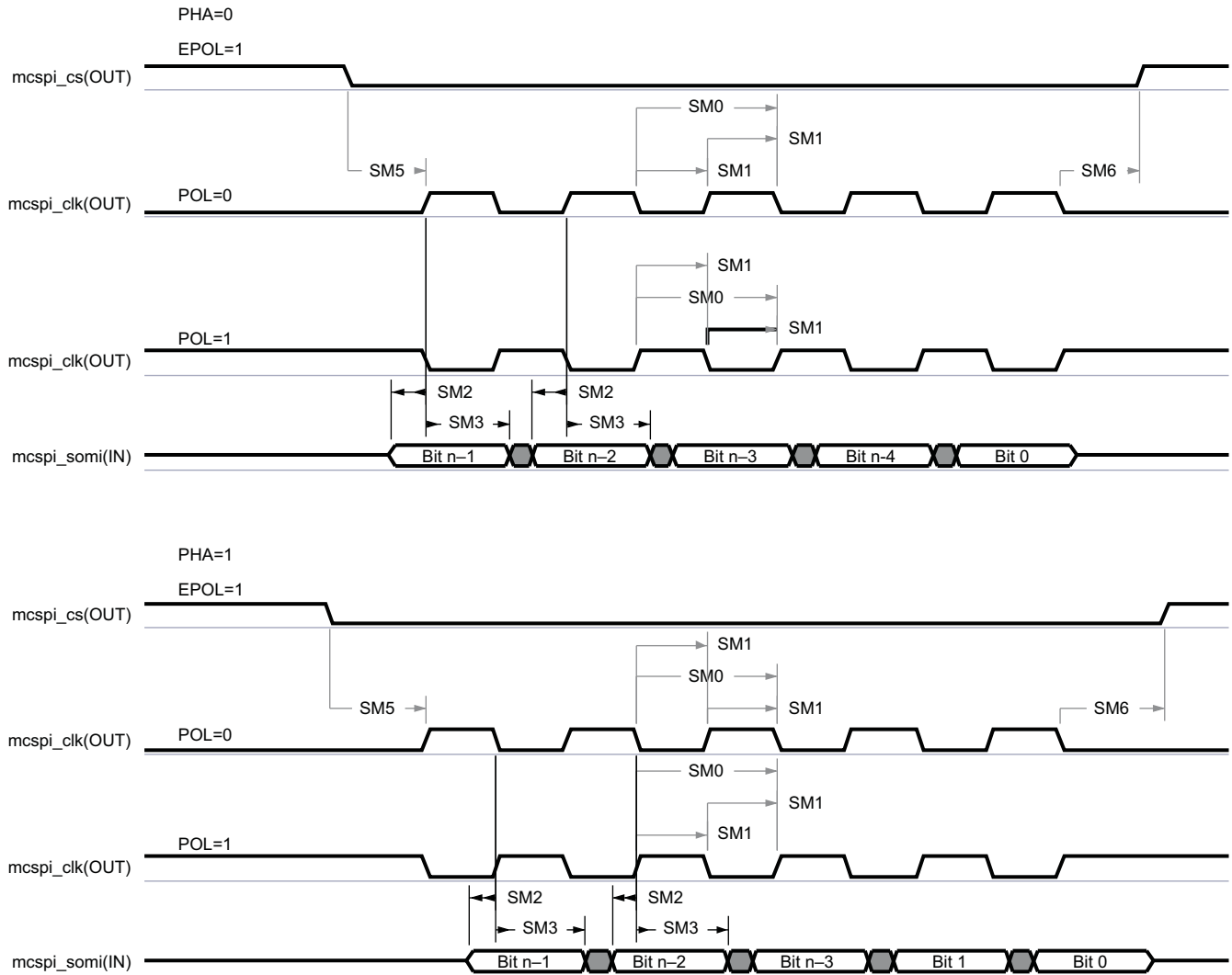
- (1) In `mcspi3_csn`, `n` is equal to 0 or 1. The polarity of `mcspi3_clk` and the active edge (rising or falling) on which `mcspi3_simo` is driven and `mcspi3_somi` is latched is all software configurable.
  - `mcspi3_clk` phase programmable with the bit `PHA` of `MCSPi_CH(i)CONF` register: `PHA = 1` (Modes 1 and 3).
  - `mcspi3_clk` phase programmable with the bit `PHA` of `MCSPi_CH(i)CONF` register: `PHA = 0` (Modes 0 and 2).
 For more information, see the McSPI environment chapter, Data Format Configurations section of the *AM/DM37x Multimedia Device Technical Reference Manual* (literature number [SPRUGN4](#)) for modes and phase correspondence description.
- (2) This timing applies to all configurations regardless of McSPI3\_CLK polarity and which clock edges are used to drive output data and capture input data.
- (3)  $P = \text{mcspi3\_clk clock period}$
- (4) Case  $P = 20.8 \text{ ns}$ ,  $A = (\text{TCS} + 0.5) * P^{(3)}$  (TCS is a bit field of `MSPI_CHCONFx[26:25]` register).  
Case  $P > 20.8 \text{ ns}$ ,  $A = \text{TCS} * P^{(3)}$  (TCS is a bit field of `MSPI_CHCONFx[26:25]` register). For more information, see the McSPI chapter of *AM/DM37x Multimedia Device Technical Reference Manual* (literature number [SPRUGN4](#)).
- (5)  $B = \text{TCS} * P^{(3)}$  (TCS is a bit field of `MSPI_CHCONFx[26:25]` register). For more information, see the McSPI chapter of *AM/DM37x Multimedia Device Technical Reference Manual* (literature number [SPRUGN4](#)).
- (6) See [Section 4.3.4, Processor Clocks](#).



SWPS038-072

- (1) The active clock edge selection of `mcspi_clk` (rising or falling) on which `mcspi_simo` is driven and `mcspi_somi` data is latched is software configurable with the bit `MCSPi_CH(i)CONF[1] = POL` and the bit `MCSPi_CH(i)CONF[0] = PHA`.
- (2) The polarity of `mcspi_ncs` is software configurable with the bit `MCSPi_CH(i)CONF[6] = EPOL`.

**Figure 6-46. McSPI—Master Mode—Transmit**



SWPS038-073

- (1) The active clock edge selection of mcspi\_clk (rising or falling) on which mcspi\_simo is driven and mcspi\_somi data is latched is software configurable with the bit MCSPi\_CH(i)CONF[1] = POL and the bit MCSPi\_CH(i)CONF[0] = PHA.
- (2) The polarity of mcspi\_ncs is software configurable with the bit MCSPi\_CH(i)CONF[6] = EPOL.

**Figure 6-47. McSPI—Master Mode—Receive**

### 6.6.3 Multiport Full-Speed Universal Serial Bus (FS-USB)

**NOTE**

For more information, see High-Speed USB Host Subsystem and High-Speed USB OTG Controller / High-Speed USB Host Subsystem section of the *AM/DM37x Multimedia Device Technical Reference Manual* (literature number [SPRUGN4](#)).

The processor provides three USB ports working in full- and low-speed data transactions (up to 12Mbit/s). When connected to either a serial link controller or a serial PHY (PHY interface modes) it supports:

- 6-pin (Tx: Dat/Se0 or Tx: Dp/ ) unidirectional mode
- 4-pin bidirectional mode
- 3-pin bidirectional

### 6.6.3.1 FS-USB—Unidirectional Standard 6-pin Mode

Table 6-83 and Table 6-84 assume testing over the recommended operating conditions and electrical characteristic conditions below (see Figure 6-48).

**Table 6-82. LS- / FS-USB Timing Conditions—Unidirectional Standard 6-Pin Mode**

TIMING CONDITION PARAMETER		VALUE	UNIT
<b>Input Conditions</b>			
$t_R$	Input signal rise time	2	ns
$t_F$	Input signal fall time	2	ns
<b>Output Condition</b>			
$C_{LOAD}$	Output load capacitance <sup>(1)</sup>	15	pF

(1) Buffer strength configuration: LB0 = 1.

**Table 6-83. LS- / FS-USB Timing Requirements—Unidirectional Standard 6-Pin Mode<sup>(1) (2)</sup>**

NO.	PARAMETER		OPP100		OPP50		UNIT
			MIN	MAX	MIN	MAX	
FSU1	$t_{d(vp,vm)}$	Time duration, mmx_rxdp and mmx_rx low together during transition		14		14	ns
FSU2	$t_{d(vp,vm)}$	Time duration, mmx_rxdp and mmx_rx high together during transition		8		8	ns
FSU3	$t_{d(rcvU0)}$	Time duration, mmx_rxcv undefine during a single end 0 (mmx_rxdp and mmx_rx low together)		14		14	ns
FSU4	$t_{d(rcvU1)}$	Time duration, mmx_rxcv undefine during a single end 1 (mmx_rxdp and mmx_rx high together)		8		8	ns

(1) In mmx, x is equal to 0, 1, or 2.

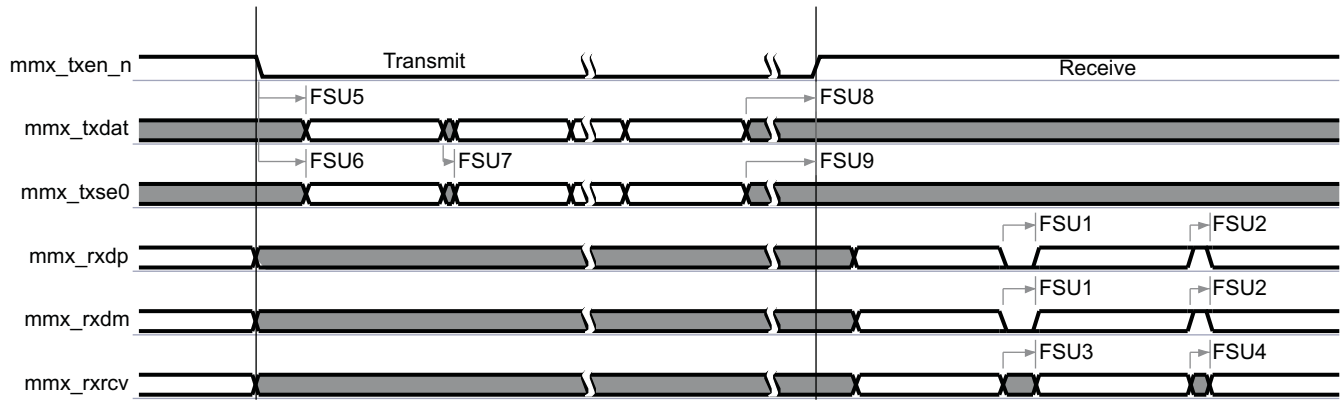
(2) See Section 4.3.4, Processor Clocks.

**Table 6-84. LS- / FS-USB Switching Characteristics—Unidirectional Standard 6-Pin Mode<sup>(1) (2)</sup>**

NO.	PARAMETER		OPP100		OPP50		UNIT
			MIN	MAX	MIN	MAX	
FSU5	$t_{d(txenL-dV)}$	Delay time, mmx_txen_n low to mmx_txdat valid	81.8	84.8	81.8	84.8	ns
FSU6	$t_{d(txenL-se0V)}$	Delay time, mmx_txen_n low to mmx_txse0 valid	81.8	84.8	81.8	84.8	ns
FSU7	$t_s(d-se0)$	Skew between mmx_txdat and mmx_txse0 transition		1.5		1.5	ns
FSU8	$t_{d(dl-txenH)}$	Delay time, mmx_txdat invalid to mmx_txen_n high	81.8		81.8		ns
FSU9	$t_{d(se0l-txenH)}$	Delay time, mmx_txse0 invalid to mmx_txen_n high	81.8		81.8		ns

(1) In mmx, x is equal to 0, 1, or 2.

(2) See Section 4.3.4, Processor Clocks.



SWPS038-074

(1) In mmx, x is equal to 0, 1, or 2.

Figure 6-48. LS- / FS-USB—Unidirectional Standard 6-Pin Mode

6.6.3.2 FS-USB—Bidirectional Standard 4-pin Mode

Table 6-86 and Table 6-87 assume testing over the recommended operating conditions and electrical characteristic conditions below (see Figure 6-49).

Table 6-85. LS- / FS-USB Timing Conditions—Bidirectional Standard 4-Pin Mode

TIMING CONDITION PARAMETER		VALUE	UNIT
<b>Input Conditions</b>			
$t_R$	Input signal rise time	2	ns
$t_F$	Input signal fall time	2	ns
<b>Output Condition</b>			
$C_{LOAD}$	Output load capacitance <sup>(1)</sup>	15	pF

(1) Buffer strength configuration: LB0 = 1.

Table 6-86. LS- / FS-USB Timing Requirements—Bidirectional Standard 4-Pin Mode<sup>(1) (2)</sup>

NO.	PARAMETER		OPP100		OPP50		UNIT
			MIN	MAX	MIN	MAX	
FSU10	$t_{d(d,se0)}$	Time duration, mmx_txdat and mmx_txse0 low together during transition		14		14	ns
FSU11	$t_{d(d,se0)}$	Time duration, mmx_txdat and mmx_txse0 high together during transition		8		8	ns
FSU12	$t_{d(rcvU0)}$	Time duration, mmx_rrxcv undefine during a single end 0 (mmx_txdat and mmx_txse0 low together)		14		14	ns
FSU13	$t_{d(rcvU1)}$	Time duration, mmx_rxcv undefine during a single end 1 (mmx_txdat and mmx_txse0 high together)		8		8	ns

(1) In mmx, x is equal to 0, 1, or 2.

(2) See Section 4.3.4, Processor Clocks.

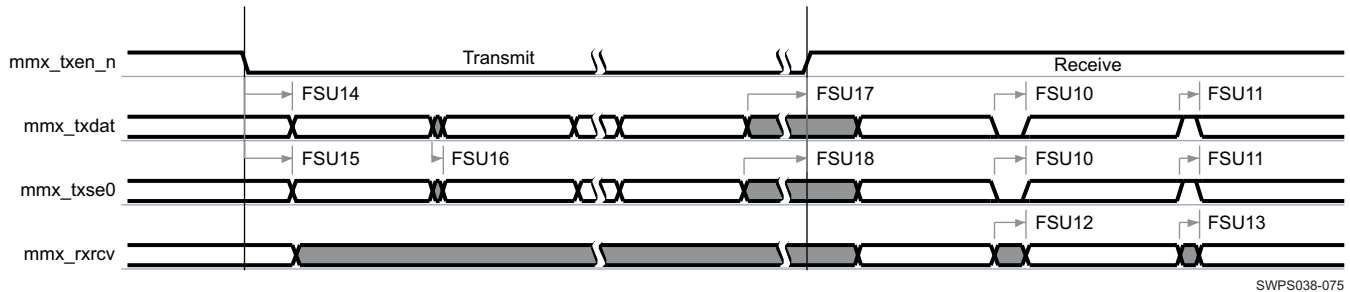
Table 6-87. LS- / FS-USB Switching Characteristics—Bidirectional Standard 4-Pin Mode<sup>(1) (2)</sup>

NO.	PARAMETER		OPP100		OPP50		UNIT
			MIN	MAX	MIN	MAX	
FSU14	$t_{d(txenL-dV)}$	Delay time, mmx_txen_n low to mmx_txdat valid	81.8	84.8	81.8	84.8	ns
FSU15	$t_{d(txenL-se0V)}$	Delay time, mmx_txen_n low to mmx_txse0 valid	81.8	84.8	81.8	84.8	ns
FSU16	$t_{s(d-se0)}$	Skew between mmx_txdat and mmx_txse0 transition		1.5		1.5	ns
FSU17	$t_{d(dV-txenH)}$	Delay time, mmx_txdat invalid before mmx_txen_n high	81.8		81.8		ns

**Table 6-87. LS- / FS-USB Switching Characteristics—Bidirectional Standard 4-Pin Mode<sup>(1) (2)</sup> (continued)**

NO.	PARAMETER		OPP100		OPP50		UNIT
			MIN	MAX	MIN	MAX	
FSU18	$t_{d(se0V-txenH)}$	Delay time, mmx_txse0 invalid before mmx_txen_n high	81.8		81.8		ns

- (1) In mmx, x is equal to 0, 1, or 2.
- (2) See [Section 4.3.4, Processor Clocks](#).



SWPS038-075

- (1) In mmx, x is equal to 0, 1, or 2.

**Figure 6-49. LS- / FS-USB—Bidirectional Standard 4-Pin Mode**

**6.6.3.3 FS-USB—Bidirectional Standard 3-pin Mode**

[Table 6-89](#) and [Table 6-90](#) assume testing over the recommended operating conditions and electrical characteristic conditions below (see [Figure 6-50](#)).

**Table 6-88. LS- / FS-USB Timing Conditions—Bidirectional Standard 3-Pin Mode**

TIMING CONDITION PARAMETER		VALUE	UNIT
<b>Input Conditions</b>			
$t_R$	Input signal rise time	2	ns
$t_F$	Input signal fall time	2	ns
<b>Output Condition</b>			
$C_{LOAD}$	Output load capacitance <sup>(1)</sup>	15	pF

- (1) Buffer strength configuration: LB0 = 1.

**Table 6-89. LS- / FS-USB Timing Requirements—Bidirectional Standard 3-Pin Mode<sup>(1) (2)</sup>**

NO.	PARAMETER		OPP100		OPP50		UNIT
			MIN	MAX	MIN	MAX	
FSU19	$t_{d(d,se0)}$	Time duration, mmx_txdat and mmx_txse0 low together during transition		14		14	ns
FSU20	$t_{d(d,se0)}$	Time duration, mmx_tsdats and mmx_txse0 high together during transition		8		8	ns

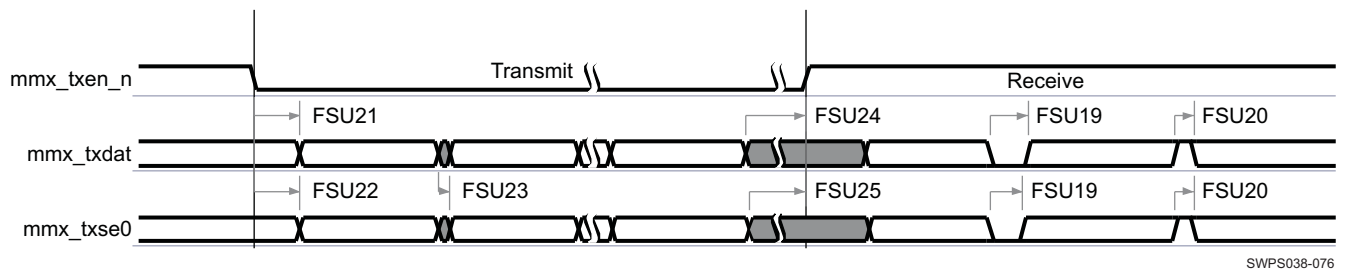
- (1) In mmx, x is equal to 0, 1, or 2.
- (2) See [Section 4.3.4, Processor Clocks](#).



**Table 6-90. LS- / FS-USB Switching Characteristics—Bidirectional Standard 3-Pin Mode<sup>(1) (2)</sup>**

NO.	PARAMETER		OPP100		OPP50		UNIT
			MIN	MAX	MIN	MAX	
FSU21	$t_{d(txenL-dV)}$	Delay time, mmx_txen_n low to mmx_txdat valid	81.8	84.8	81.8	84.8	ns
FSU22	$t_{d(txenL-se0V)}$	Delay time, mmx_txen_n low to mmx_txse0 valid	81.8	84.8	81.8	84.8	ns
FSU23	$t_{s(d-se0)}$	Skew between mmx_txdat and mmx_txse0 transition		1.5		1.5	ns
FSU24	$t_{d(dl-txenH)}$	Delay time, mmx_txdat invalid to mmx_txen_n high	81.8		81.8		ns
FSU25	$t_{d(se0l-txenH)}$	Delay time, mmx_txse0 invalid to mmx_txen_n high	81.8		81.8		ns

- (1) In mmx, x is equal to 0, 1, or 2.
- (2) See [Section 4.3.4, Processor Clocks](#).



SWPS038-076

**Figure 6-50. LS- / FS-USB—Bidirectional Standard 3-Pin Mode<sup>(1)</sup>**

- (1) In mmx, x is equal to 0, 1, or 2.

## 6.6.4 Multiport High-Speed Universal Serial Bus (HS-USB)

### NOTE

For more information, see High-Speed USB Host Subsystem and High-Speed USB OTG Controller / High-Speed USB OTG Controller and High-Speed USB Host Subsystem and High-Speed USB OTG Controller / High-Speed USB Host Subsystem sections of the *AM/DM37x Multimedia Device Technical Reference Manual* (literature number [SPRUGN4](#)).

In addition to the full-speed (FS) USB controller, a high-speed (HS) USB OTG controller is incorporated in the device. It allows high-speed transactions (up to 480 Mbit/s) on the USB ports 0, 1, 2, and 3 described below:

- Port 0:
  - 12-bit slave mode (SDR)
- Ports 1 and 2:
  - 12-bit master mode (SDR)
- Port 3:

### 6.6.4.1 HSUSB0—Port 0—12-bit Slave Mode

[Table 6-92](#) and [Table 6-93](#) assume testing over the recommended operating conditions and electrical characteristic conditions below (see [Figure 6-51](#)).

**Table 6-91. HSUSB0 Timing Conditions—12-bit Slave Mode**

TIMING CONDITION PARAMETER		VALUE	UNIT
<b>Input Conditions</b>			
$t_R$	Input signal rise time	2	ns
$t_F$	Input signal fall time	2	ns
<b>Output Condition</b>			
$C_{LOAD}$	Output load capacitance <sup>(1)</sup>	3.5	pF

(1) Buffer strength configuration: LB0 = 0.

**Table 6-92. HSUSB0 Timing Requirements—12-bit Slave Mode<sup>(3) (4)</sup>**

NO.	PARAMETER		OPP100		UNIT
			MIN	MAX	
HSU0	$f_{p(CLK)}$	hsusb0_clk clock frequency <sup>(1)</sup>		60.03	MHz
	$t_{j(CLK)}$	Cycle jitter <sup>(2)</sup> , hsusb0_clk		500	ps
HSU3	$t_{s(DIRV-CLKH)}$	Setup time, hsusb0_dir valid before hsusb0_clk rising edge	6.68		ns
	$t_{s(NXTV-CLKH)}$	Setup time, hsusb0_nxt valid before hsusb0_clk rising edge	6.68		ns
HSU4	$t_{h(CLKH-DIRIV)}$	Hold time, hsusb0_dir valid after hsusb0_clk rising edge	0		ns
	$t_{h(CLKH-NXT/IV)}$	Hold time, hsusb0_nxt valid after hsusb0_clk rising edge	0		ns
HSU5	$t_{s(DATAV-CLKH)}$	Setup time, hsusb0_data[0:7] valid before hsusb0_clk rising edge	6.68		ns
HSU6	$t_{h(CLKH-DATIV)}$	Hold time, hsusb0_data[0:7] valid after hsusb0_clk rising edge	0		ns

(1) Related with the input maximum frequency supported by the USB module.

(2) Maximum cycle jitter supported by hsusb0\_clk input clock

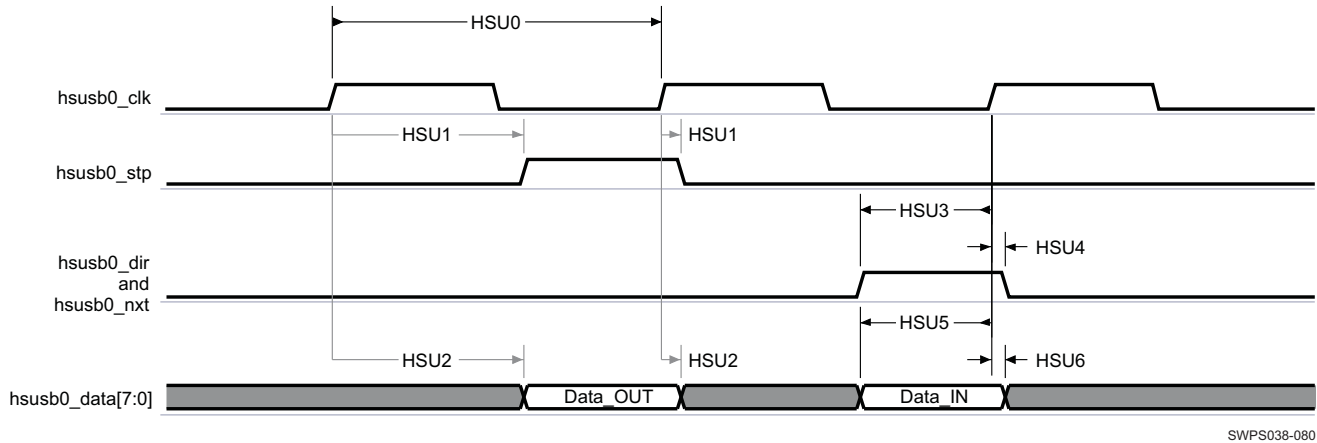
(3) The timing requirements are assured up to the cycle jitter error condition specified.

(4) See [Section 4.3.4, Processor Clocks](#).

**Table 6-93. HSUSB0 Switching Characteristics—12-bit Slave Mode<sup>(1)</sup>**

NO.	PARAMETER		OPP100		UNIT
			MIN	MAX	
HSU1	$t_{d(\text{clkL-STPV})}$	Delay time, hsub0_clk high to output usb0_stp valid		8.6	ns
	$t_{d(\text{clkL-STPIV})}$	Delay time, hsub0_clk high to output usb0_stp invalid	0		ns
HSU2	$t_{d(\text{clkL-DV})}$	Delay time, hsub0_clk high to output hsub0_data[0:7] valid		8.6	ns
	$t_{d(\text{clkL-DIV})}$	Delay time, hsub0_clk high to output hsub0_data[0:7] invalid	0		ns

(1) See Section 4.3.4, Processor Clocks.



SWPS038-080

**Figure 6-51. HSUSB0—12-bit Slave Mode**

**6.6.4.2 HSUSB1 and HSUSB2—Ports 1 and 2—12-bit Slave Mode**

Table 6-95 and Table 6-96 assume testing over the recommended operating conditions and electrical characteristic conditions below (see Figure 6-52).

**Table 6-94. HSUSB1 and HSUSB2 Timing Conditions—12-bit Master Mode**

TIMING CONDITION PARAMETER		VALUE	UNIT
<b>Input Conditions</b>			
$t_R$	Input signal rise time	3	ns
$t_F$	Input signal fall time	2	ns
<b>Output Condition</b>			
$C_{LOAD}$	Output load capacitance <sup>(1)</sup>	5	pF

(1) Buffer strength configuration: LB0 = 0.

**Table 6-95. HSUSB1 and HSUSB2 Timing Requirements—12-bit Master Mode<sup>(1) (2)</sup>**

NO.	PARAMETER		OPP100		UNIT
			MIN	MAX	
HSU3	$t_{su(\text{dirV-clkH})}$	Setup time, input direction control hsubx_dir valid before output clock hsubx_clk rising edge	9.3		ns
	$t_{su(\text{nxtV-clkH})}$	Setup time, input next signal hsubx_nxt valid before output clock hsubx_clk rising edge	9.3		ns
HSU4	$t_h(\text{clkH-dirV})$	Hold time, input direction control hsubx_dir valid after output clock hsubx_clk rising edge	–0.52		ns
	$t_h(\text{clkH-nxtV})$	Hold time, input next signal hsubx_nxt valid after output clock hsubx_clk rising edge	–0.52		ns
HSU5	$t_{su(\text{dV-clkH})}$	Setup time, input data hsubx_data[7:0] valid before output clock hsubx_clk rising edge	9.3		ns

**Table 6-95. HSUSB1 and HSUSB2 Timing Requirements—12-bit Master Mode<sup>(1) (2)</sup> (continued)**

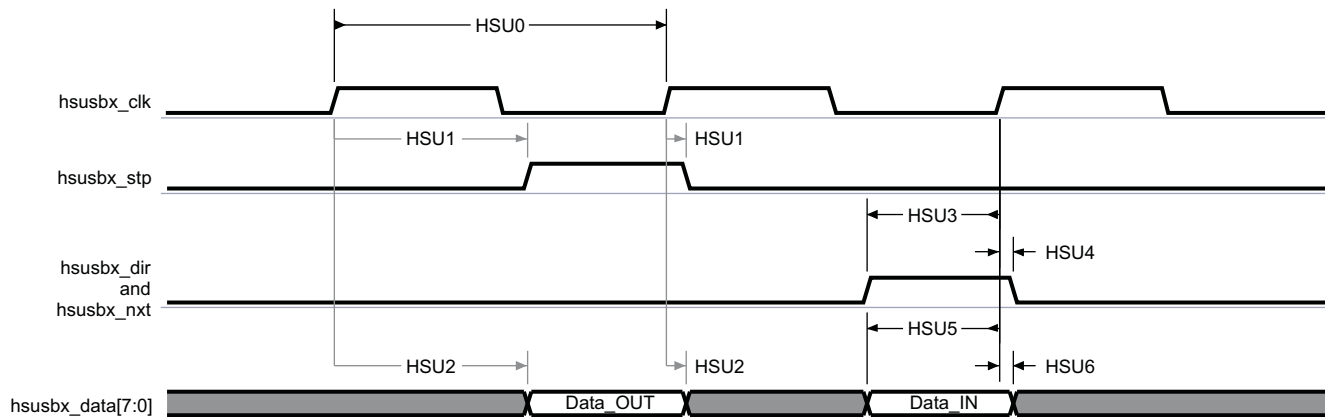
NO.	PARAMETER		OPP100		UNIT
			MIN	MAX	
HSU6	$t_{h(\text{clkH-dV})}$	Hold time, input data <code>hsusbx_data[7:0]</code> valid after output clock <code>hsusbx_clk</code> rising edge	-0.52		ns

(1) In `hsusbx`, x is equal to 1 or 2.(2) See [Section 4.3.4, Processor Clocks](#).**Table 6-96. HSUSB1 and HSUSB2 Switching Characteristics—12-bit Master Mode<sup>(1) (3)</sup>**

NO.	PARAMETER		OPP100		UNIT
			MIN	MAX	
HSU0	$f_{p(\text{clk})}$	Frequency, output clock <code>hsusbx_clk</code>		60	MHz
	$t_{j(\text{clk})}$	Jitter standard deviation <sup>(2)</sup> , output clock <code>hsusbx_clk</code>		400	ps
HSU1	$t_{d(\text{clkH-stpV})}$	Delay time, output clock <code>hsusbx_clk</code> rising edge to output stop signal <code>hsusbx_stp</code> valid		12.81	ns
	$t_{d(\text{clkH-stpIv})}$	Delay time, output clock <code>hsusbx_clk</code> rising edge to output stop signal <code>hsusbx_stp</code> invalid	1.95		ns
HSU2	$t_{d(\text{clkH-dV})}$	Delay time, output clock <code>hsusbx_clk</code> rising edge to output data <code>hsusbx_data[7:0]</code> valid		12.81	ns
	$t_{d(\text{clkH-dIv})}$	Delay time, output clock <code>hsusbx_clk</code> rising edge to output data <code>hsusbx_data[7:0]</code> invalid	1.95		ns
	$t_{R(d)}$	Rise time, output data <code>hsusbx_data[7:0]</code>		0	ns
	$t_{F(d)}$	Fall time, output data <code>hsusbx_data[7:0]</code>		0	ns

(1) In `hsusbx`, x is equal to 1 or 2.

(2) The jitter probability density can be approximated by a Gaussian function.

(3) See [Section 4.3.4, Processor Clocks](#).

SWPS038-081

(1) In `hsusbx`, x is equal to 1 or 2.**Figure 6-52. HSUSB1 and HSUSB2—12-bit Master Mode**

### 6.6.5 Inter-Integrated Circuit Interface (I<sup>2</sup>C)

#### NOTE

For more information, see Multimaster High-Speed I<sup>2</sup>C Controller chapter of the *AM/DM37x Multimedia Device Technical Reference Manual* (literature number [SPRUGN4](#)).

The multi-master I<sup>2</sup>C peripheral provides an interface between two or more devices via an I<sup>2</sup>C serial bus.

The I<sup>2</sup>C controller supports the multi-master mode which allows more than one device capable of controlling the bus to be connected to it. Each I<sup>2</sup>C device is recognized by a unique address and can operate as either transmitter or receiver, according to the function of the device. In addition to being a transmitter or receiver, a device connected to the I<sup>2</sup>C bus can also be considered as master or slave when performing data transfers. This data transfer is carried out via two serial bidirectional wires:

- An SDA data line
- An SCL clock line

In [Figure 6-53](#) the data transfer is in master or slave configuration with 7-bit addressing format.

The I<sup>2</sup>C interface is compliant with Philips I<sup>2</sup>C specification version 2.1. It supports standard mode (up to 100K bits/s), fast mode (up to 400K bits/s) and high-speed mode (up to 3.4Mb/s).

### 6.6.5.1 I<sup>2</sup>C—Standard and Fast Modes

**Table 6-97. I<sup>2</sup>C—Standard and Fast Modes**

NO.	PARAMETER		STANDARD MODE		FAST MODE		UNIT
			MIN	MAX	MIN	MAX	
	f <sub>scl</sub>	Frequency, clock i2cx_scl <sup>(4)</sup>		100		400	kHz
11	t <sub>w(sclH)</sub>	Pulse duration, clock i2cx_scl <sup>(4)</sup> high	4.0		0.6		μs
12	t <sub>w(sclL)</sub>	Pulse duration, clock i2cx_scl <sup>(4)</sup> low	4.7		1.3		μs
13	t <sub>su(sdaV-sclH)</sub>	Setup time, data i2cx_sda <sup>(4)</sup> valid before clock i2cx_scl <sup>(4)</sup> active level	250		100 <sup>(1)</sup>		ns
14	t <sub>h(sclH-sdaV)</sub>	Hold time, data i2cx_sda <sup>(4)</sup> valid after clock i2cx_scl <sup>(4)</sup> active level	0 <sup>(2)</sup>	3.45 <sup>(3)</sup>	0 <sup>(2)</sup>	0.9 <sup>(3)</sup>	μs
15	t <sub>su(sdaL-sclH)</sub>	Setup time, clock i2cx_scl <sup>(4)</sup> high after data i2cx_sda <sup>(4)</sup> low (for a START <sup>(5)</sup> condition or a repeated START condition)	4.7		0.6		μs
16	t <sub>h(sclH-sdaH)</sub>	Hold time, data i2cx_sda low level after clock i2cx_scl <sup>(4)</sup> high level (STOP condition)	4.0		0.6		μs
17	t <sub>h(sclH-RSTART)</sub>	Hold time, data i2cx_sda <sup>(4)</sup> low level after clock i2cx_scl <sup>(4)</sup> high level (for a repeated START condition)	4.0		0.6		μs
18	t <sub>w(sdaH)</sub>	Pulse duration, data i2cx_sda <sup>(4)</sup> high between STOP and START conditions	4.7 <sup>(4)</sup>		1.3		μs
	t <sub>R(scl)</sub>	Rise time, clock i2cx_scl <sup>(4)</sup>		1000	20 + 0.1C <sub>B</sub>	300	ns
	t <sub>F(scl)</sub>	Fall time, clock i2cx_scl <sup>(4)</sup>		300	20 + 0.1C <sub>B</sub>	300	ns
	t <sub>R(sda)</sub>	Rise time, data i2cx_sda <sup>(4)</sup>		1000	20 + 0.1C <sub>B</sub>	300	ns
	t <sub>F(sda)</sub>	Fall time, data i2cx_sda <sup>(4)</sup>		300	20 + 0.1C <sub>B</sub>	300	ns
	C <sub>B</sub>	Capacitive load for each bus line		400		400	pF

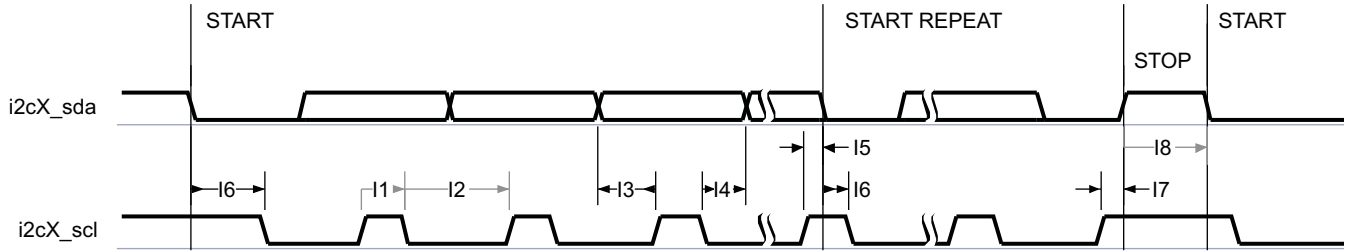
(1) A fast-mode I<sup>2</sup>C-bus device can be used in a standard-mode I<sup>2</sup>C-bus system, but the requirement t<sub>su(SDAV-SCLH)</sub> ≥ 250 ns must then be met. This is automatically the case if the device does not stretch the low period of the i2cx\_scl<sup>(4)</sup>. If such a device does stretch the low period of the i2cx\_scl<sup>(4)</sup>, it must output the next data bit to the i2cx\_sda<sup>(4)</sup> line t<sub>r(SDA)</sub> max + t<sub>su(SDAV-SCLH)</sub> = 1000 + 250 = 1250 ns (according to the standard-mode I<sup>2</sup>C-bus specification) before the i2cx\_scl<sup>(4)</sup> line is released.

(2) The device provides (via the I<sup>2</sup>C bus) a minimum hold time (= I2C\_FCLK period x (PSC+1) x 4) for the i2cx\_sda<sup>(4)</sup> signal (see the fall and rise times of i2cx\_scl<sup>(4)</sup>) to bridge the undefined region of the falling edge of i2cx\_scl<sup>(4)</sup>.

(3) The maximum t<sub>h(SCLH-SDA)</sub> has only to be met if the device does not stretch the low period of the i2cx\_scl<sup>(4)</sup> signal.

(4) In i2cx, x is equal to 1, 2, 3, or 4. Note that I2C4 is master transmitter only.

(5) After this time, the first clock is generated.



SWPS038-084

(1) In i2cX, X is equal to 1, 2, 3, or 4.

**Figure 6-53. I<sup>2</sup>C—Standard and Fast Modes**

**6.6.5.2 I<sup>2</sup>C—High-Speed Mode**

**Table 6-98. I<sup>2</sup>C—High-Speed Mode**

NO.	PARAMETER	MIN	MAX	UNIT
	f <sub>scl</sub>	Frequency, clock i2cx_scl <sup>(3)</sup>		
			3.4 <sup>(5)</sup>	MHz
I1	t <sub>w(sclH)</sub>	Pulse duration, clock i2cx_scl <sup>(3)</sup> high		ns
I2	t <sub>w(sclL)</sub>	Pulse duration, clock i2cx_scl <sup>(3)</sup> low		ns
I3	t <sub>su(sdaV-sclH)</sub>	Setup time, data i2cx_sda <sup>(3)</sup> valid before clock i2cx_scl <sup>(3)</sup> active level		ns
I4	t <sub>h(sclH-sdaV)</sub>	Hold time, data i2cx_sda <sup>(3)</sup> valid after clock i2cx_scl <sup>(3)</sup> active level		ns
I5	t <sub>su(sdaL-sclH)</sub>	Setup time, clock i2cx_scl <sup>(3)</sup> high after data i2cx_sda <sup>(3)</sup> low (for a START <sup>(2)</sup> condition or a repeated START condition)		ns
I6	t <sub>h(sclH-sdaH)</sub>	Hold time, data i2cx_sda <sup>(3)</sup> low level after clock i2cx_scl <sup>(3)</sup> high level (STOP condition)		ns
I7	t <sub>h(sclH-RSTART)</sub>	Hold time, data i2cx_sda <sup>(3)</sup> low level after clock i2cx_scl <sup>(3)</sup> high level (for a repeated START condition)		ns
	t <sub>R(scl)</sub>	Rise time, clock i2cx_scl <sup>(3)</sup>		ns
	t <sub>R(scl)</sub>	Rise time, clock i2cx_scl <sup>(3)</sup> after a repeated START condition and after a bit acknowledge		ns
	t <sub>F(scl)</sub>	Fall time, clock i2cx_scl <sup>(3)</sup>		ns
	t <sub>R(sda)</sub>	Rise time, data i2cx_sda <sup>(3)</sup>		ns
	t <sub>F(sda)</sub>	Fall time, data i2cx_sda <sup>(3)</sup>		ns
	C <sub>B</sub>	Capacitive load for each bus line		pF

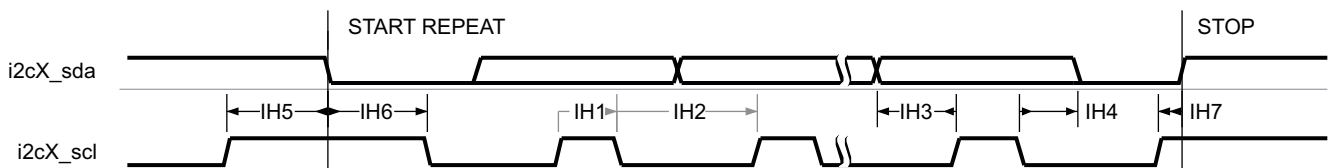
(1) HS-mode master devices generate a serial clock signal with a high to low ratio of 1 to 2. t<sub>w(sclL)</sub> > 2 \* t<sub>w(sclH)</sub>.

(2) After this time, the first clock is generated.

(3) In i2cx, x is equal to 1, 2, 3, or 4. Note that I2C4 is master transmitter only.

(4) The device provides (via the I<sup>2</sup>C bus) a minimum hold time (= I2C\_FCLK period x 4) for the i2cx\_sda<sup>(3)</sup> signal (see the fall and rise times of i2cx\_scl<sup>(3)</sup>) to bridge the undefined region of the falling edge of i2cx\_scl<sup>(3)</sup>.

(5) The I2C4 clock frequency in high-speed mode is equal to the sys\_xtalIn input clock frequency divided by 15.



SWPS038-085

(1) In i2cX, X is equal to 1, 2, 3, or 4.

**Figure 6-54. I<sup>2</sup>C—High-Speed Mode**

**Table 6-99. I<sup>2</sup>C Correspondence Standard vs Data Manual Timing References**

TI		STANDARD-I <sup>2</sup> C	
		Standard/Fast Modes	High-Speed Mode
	$f_{scl}$	$F_{SCL}$	$F_{SCLH}$
I1	$t_{w(sclH)}$	$T_{HIGH}$	$T_{HIGH}$
I2	$t_{w(sclL)}$	$T_{LOW}$	$T_{LOW}$
I3	$t_{su(sdaV-sclH)}$	$T_{SU;DAT}$	$T_{SU;DAT}$
I4	$t_{h(sclH-sdaV)}$	$T_{SU;DAT}$	$T_{SU;DAT}$
I5	$t_{su(sdaL-sclH)}$	$T_{SU;STA}$	$T_{SU;STA}$
I6	$t_{h(sclH-sdaH)}$	$T_{HD;STA}$	$T_{HD;STA}$
I7	$t_{h(sclH-RSTART)}$	$T_{SU;STO}$	$T_{SU;STO}$
I8	$t_{w(sdaH)}$	$T_{BUF}$	

### 6.6.6 HDQ / 1-Wire Interface (HDQ/1-Wire)

#### NOTE

For more information, see HDQ/1-Wire / HDQ/1-Wire chapter of the *AM/DM37x Multimedia Device Technical Reference Manual* (literature number [SPRUGN4](#)).

The module is intended to work with both HDQ and 1-Wire protocols. The protocols use a single wire to communicate between the master and the slave. The protocols employ an asynchronous return to one mechanism where, after any command, the line is pulled high.

#### 6.6.6.1 HDQ/1-Wire—HDQ Mode

[Table 6-100](#) and [Table 6-102](#) assume testing over the recommended operating conditions and electrical characteristic conditions below (see [Figure 6-55](#) through [Figure 6-59](#)).

**Table 6-100. HDQ Interface Read Timing**

PARAMETER	DESCRIPTION	MIN	TYP	MAX	UNIT
$t_{CYCH}$	Read bit window timing	190		250	$\mu$ s
$t_{HW1}$	Read one data valid after HDQ low	32 <sup>(2)</sup>		66 <sup>(2)</sup>	$\mu$ s
$t_{HW0}$	Read zero data hold after HDQ low	70 <sup>(2)</sup>		145 <sup>(2)</sup>	$\mu$ s
$t_{RSPS}$	Response time from HDQ slave device <sup>(1)</sup>	190		320	$\mu$ s

(1) Defined by software

(2) If the HDQ slave device drives a logic-low state after  $t_{HW0}$  max, it can be interpreted as a break pulse. For more information see [Table 6-101](#) and the HDQ/1-Wire chapter of the *AM/DM37x Multimedia Device Technical Reference Manual* (literature number [SPRUGN4](#)).

**Table 6-101. HDQ Sampling Cases<sup>(1)</sup>**

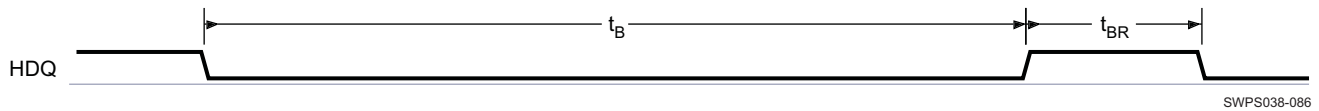
CASES	FIRST SAMPLING (at 68 $\mu$ s)	SECOND SAMPLING (at 180 $\mu$ s)
1	L (logic-low state)	L (logic-low state)
2	L (logic-low state)	H (logic-high state)
3	H (logic-high state)	L (logic-low state)
4	H (logic-high state)	H (logic-high state)

(1) The different cases can be interpreted as follows:

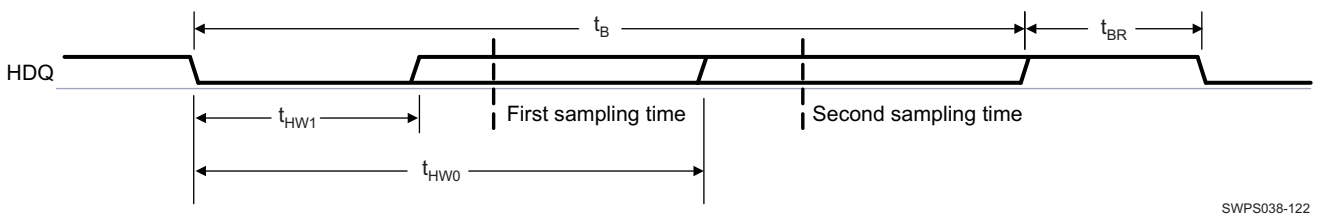
- Case 1: If a logic-low state is present at the first sampling time and also at the second sampling time, the receive data can be interpreted as a break pulse.
- Case 2: If a logic-low state is present at the first sampling time and a logic-high state is present at the second sampling time, the receive data on the line is a zero (data).
- Case 3: Undefined.
- Case 4: If a logic-high state is present at the first sampling time and also at the second sampling time, the receive data on the line is a one (data).

**Table 6-102. HDQ Write Switching Characteristics**

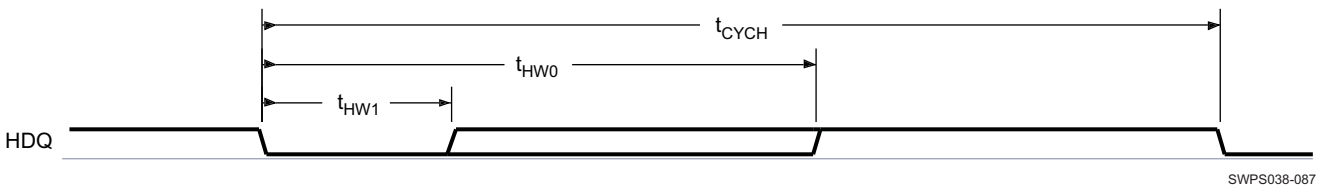
PARAMETER	DESCRIPTION	MIN	TYP	MAX	UNIT
$t_B$	Break timing	190			$\mu\text{s}$
$t_{BR}$	Break recovery time	40			$\mu\text{s}$
$t_{CYCD}$	Write bit windows timing	190			$\mu\text{s}$
$t_{DW1}$	Write one data valid after HDQ low	0.5		50	$\mu\text{s}$
$t_{DW0}$	Write zero data hold after HDQ low	86		145	$\mu\text{s}$



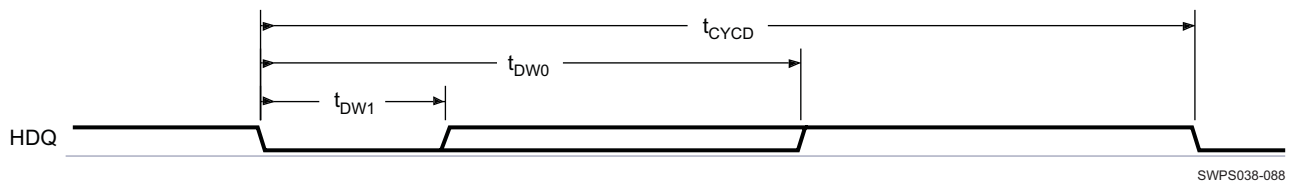
**Figure 6-55. HDQ Break and Break Recovery Timing— HDQ Interface Writing to Slave**



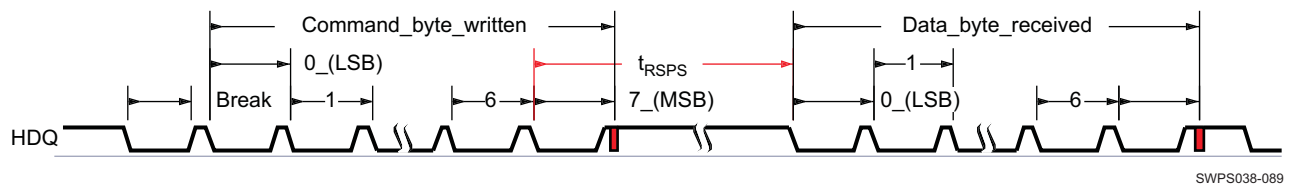
**Figure 6-56. HDQ Break Detection— HDQ Interface Reading Slave**



**Figure 6-57. HDQ Interface Bit Read Timing (Data)**



**Figure 6-58. HDQ Interface Bit Write Timing (Command/Address or Data)**



**Figure 6-59. HDQ—Communication**

**6.6.6.2 HDQ/1-Wire—1-Wire Mode**

Table 6-103 and Table 6-104 assume testing over the recommended operating conditions and electrical characteristic conditions below (see Figure 6-60 through Figure 6-63).



**Table 6-103. HDQ/1-Wire Timing Requirements—1-Wire Mode**

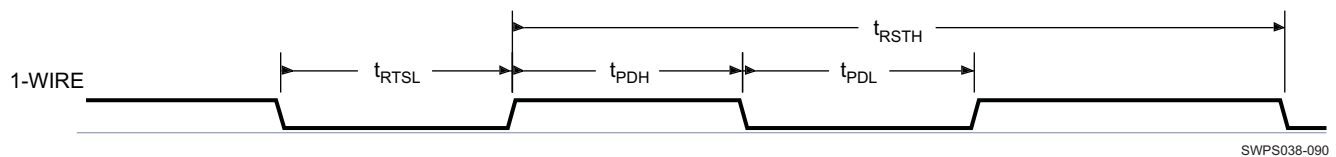
PARAMETER	DESCRIPTION	MIN	TYP	MAX	UNIT
$t_{PDH}$	Presence pulse delay high	15		60	$\mu\text{s}$
$t_{PDL}$	Presence pulse delay low	60		240	$\mu\text{s}$
$t_{RDV}$	Read data valid time	$t_{LOWR}$		15	$\mu\text{s}$
$t_{REL}$	Read data release time	0		45	$\mu\text{s}$

**Table 6-104. HDQ/1-Wire Switching Characteristics—1-Wire Mode**

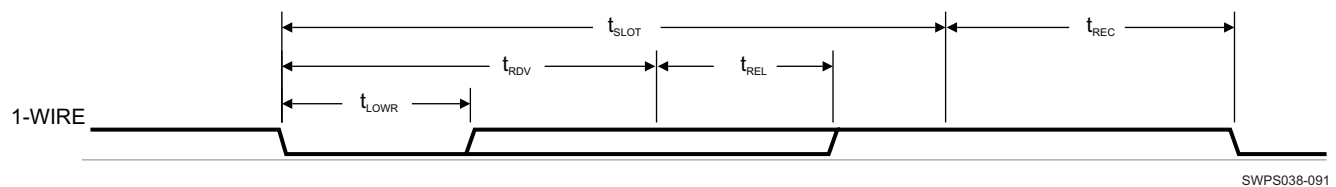
PARAMETER	DESCRIPTION	MIN	TYP	MAX	UNIT
$t_{RSTL}$	Reset time low	480		960	$\mu\text{s}$
$t_{RSTH}$	Reset time high	480			$\mu\text{s}$
$t_{SLOT}$	Bit cycle time	60		120	$\mu\text{s}$
$t_{LOW1}$	Write bit-one time	1		15	$\mu\text{s}$
$t_{LOW0}$	Write bit-zero time <sup>(2)</sup>	60		120	$\mu\text{s}$
$t_{REC}$	Recovery time	1			$\mu\text{s}$
$t_{LOWR}$	Read bit strobe time <sup>(1)</sup>	1		15	$\mu\text{s}$

(1)  $t_{LOWR}$  (low pulse sent by the master) must be short as possible to maximize the master sampling window.

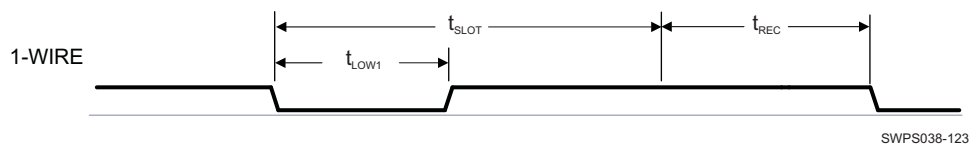
(2)  $t_{LOW0}$  must be less than  $t_{SLOT}$ .



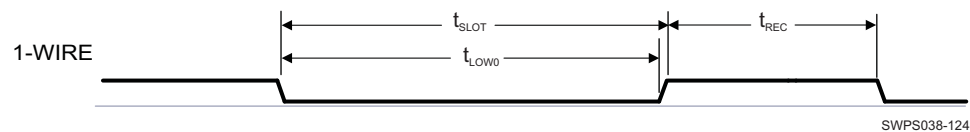
**Figure 6-60. 1-Wire Reset Timing**



**Figure 6-61. 1-Wire Read Bit Timing (Data)**



**Figure 6-62. 1-Wire Write Bit-One Timing (Command / Address or Data)**



**Figure 6-63. 1-Wire Write Bit-Zero Timing (Command/Address or Data)**

## 6.6.7 Universal Asynchronous Receiver Transmitter (UART)

### NOTE

For more information, see UART/IrDA/CIR chapter of the *AM/DM37x Multimedia Device Technical Reference Manual* (literature number [SPRUGN4](#)).

### 6.6.7.1 UART

**Table 6-105. UART Switching Characteristics<sup>(2)</sup>**

SIGNAL NAME	MUX MODE	DESCRIPTION		MIN	MAX	UNIT
<b>Universal Asynchronous Receiver/Transmitter (UART1)</b>						
UART1 (uart1_tx): AA8	0	t <sub>R</sub> , Rise time		1.5	5.5	ns
		t <sub>F</sub> , Fall time				
		C <sub>L</sub> , Output load		2	22	pF
UART1 (uart1_rts): AA9	0	t <sub>R</sub> , Rise time		1.5	5.5	ns
		t <sub>F</sub> , Fall time				
		C <sub>L</sub> , Output load		2	22	pF
UART1 (uart1_tx): E26	2	t <sub>R</sub> , Rise time		0.6	2.4	ns
		t <sub>F</sub> , Fall time				
		C <sub>L</sub> , Output load		2	22	pF
UART1 (uart1_rts): AH22	2	t <sub>R</sub> , Rise time		1	15	ns
		t <sub>F</sub> , Fall time				
		C <sub>L</sub> , Output load				
	t <sub>R</sub> , Rise time		SC0, SC1 = 00 <sup>(1)</sup>	0.4	5	ns
	t <sub>F</sub> , Fall time					
	C <sub>L</sub> , Output load		2			
	t <sub>R</sub> , Rise time		SC0, SC1 = 00 <sup>(1)</sup>	0.6	7	ns
	t <sub>F</sub> , Fall time					
	C <sub>L</sub> , Output load		7			
<b>Universal Asynchronous Receiver/Transmitter (UART2)</b>						
UART2 (uart2_tx): AA25	0	t <sub>R</sub> , Rise time		1.5	5.5	ns
		t <sub>F</sub> , Fall time				
		C <sub>L</sub> , Output load		2	22	pF
UART2 (uart2_rts): AB25	0	t <sub>R</sub> , Rise time		1.5	5.5	ns
		t <sub>F</sub> , Fall time				
		C <sub>L</sub> , Output load		2	22	pF
UART2 (uart2_tx): AF5	1	t <sub>R</sub> , Rise time		1.5	5.5	ns
		t <sub>F</sub> , Fall time				
		C <sub>L</sub> , Output load		2	22	pF
UART2 (uart2_rts): AE6	1	t <sub>R</sub> , Rise time		1.5	5.5	ns
		t <sub>F</sub> , Fall time				
		C <sub>L</sub> , Output load		2	22	pF
UART2 (uart2_tx): T27	5	t <sub>R</sub> , Rise time		1.5	5.5	ns
		t <sub>F</sub> , Fall time				
		C <sub>L</sub> , Output load		2	22	pF
UART2 (uart2_rts): U27	5	t <sub>R</sub> , Rise time		1.5	5.5	ns
		t <sub>F</sub> , Fall time				
		C <sub>L</sub> , Output load		2	22	pF
<b>Universal Asynchronous Receiver/Transmitter (UART3)</b>						

**Table 6-105. UART Switching Characteristics<sup>(2)</sup> (continued)**

SIGNAL NAME	MUX MODE	DESCRIPTION	MIN	MAX	UNIT	
UART3 (uart3_cts_rctx): H18	0	t <sub>R</sub> , Rise time	SC0, SC1 = 00 <sup>(1)</sup>	1	15	ns
		t <sub>F</sub> , Fall time		4	60	pF
		C <sub>L</sub> , Output load				
		t <sub>R</sub> , Rise time	SC0, SC1 = 00 <sup>(1)</sup>			
		t <sub>F</sub> , Fall time		2	21	pF
		C <sub>L</sub> , Output load				
		t <sub>R</sub> , Rise time	SC0, SC1 = 00 <sup>(1)</sup>			
		t <sub>F</sub> , Fall time		7	33	pF
		C <sub>L</sub> , Output load				
UART3 (uart3_rts_sd): H19	0	t <sub>R</sub> , Rise time	SC0, SC1 = 00 <sup>(1)</sup>			
		t <sub>F</sub> , Fall time		4	60	pF
		C <sub>L</sub> , Output load				
		t <sub>R</sub> , Rise time	SC0, SC1 = 00 <sup>(1)</sup>			
		t <sub>F</sub> , Fall time		2	21	pF
		C <sub>L</sub> , Output load				
		t <sub>R</sub> , Rise time	SC0, SC1 = 00 <sup>(1)</sup>			
		t <sub>F</sub> , Fall time		7	33	pF
		C <sub>L</sub> , Output load				
UART3 (uart3_tx_irtx): H21	0	t <sub>R</sub> , Rise time	SC0, SC1 = 00 <sup>(1)</sup>			
		t <sub>F</sub> , Fall time		4	60	pF
		C <sub>L</sub> , Output load				
		t <sub>R</sub> , Rise time	SC0, SC1 = 00 <sup>(1)</sup>			
		t <sub>F</sub> , Fall time		2	21	pF
		C <sub>L</sub> , Output load				
		t <sub>R</sub> , Rise time	SC0, SC1 = 00 <sup>(1)</sup>			
		t <sub>F</sub> , Fall time		7	33	pF
		C <sub>L</sub> , Output load				
UART3 (uart3_cts_rctx): U26	2	t <sub>R</sub> , Rise time				
		t <sub>F</sub> , Fall time		2	22	pF
		C <sub>L</sub> , Output load				
UART3 (uart3_rts_sd): U27	2	t <sub>R</sub> , Rise time				
		t <sub>F</sub> , Fall time		2	22	pF
		C <sub>L</sub> , Output load				
UART3 (uart3_tx_irtx): AH24	2	t <sub>R</sub> , Rise time	SC0, SC1 = 00 <sup>(1)</sup>			
		t <sub>F</sub> , Fall time		4	60	pF
		C <sub>L</sub> , Output load				
		t <sub>R</sub> , Rise time	SC0, SC1 = 00 <sup>(1)</sup>			
		t <sub>F</sub> , Fall time		2	21	pF
		C <sub>L</sub> , Output load				
		t <sub>R</sub> , Rise time	SC0, SC1 = 00 <sup>(1)</sup>			
		t <sub>F</sub> , Fall time		7	33	pF
		C <sub>L</sub> , Output load				
UART3 (uart3_tx_irtx): G26	2	t <sub>R</sub> , Rise time				
		t <sub>F</sub> , Fall time		2	22	pF
		C <sub>L</sub> , Output load				

**Table 6-105. UART Switching Characteristics<sup>(2)</sup> (continued)**

SIGNAL NAME	MUX MODE	DESCRIPTION	MIN	MAX	UNIT
UART3 (uart3_tx_irtx): T27	2	t <sub>R</sub> , Rise time	1.5	5.5	ns
		t <sub>F</sub> , Fall time			
		C <sub>L</sub> , Output load	2	22	pF
<b>Universal Asynchronous Receiver/Transmitter (UART4)</b>					
UART4 (uart4_tx): K8	2	t <sub>R</sub> , Rise time	0.6	2.4	ns
		t <sub>F</sub> , Fall time			
		C <sub>L</sub> , Output load	2	22	pF

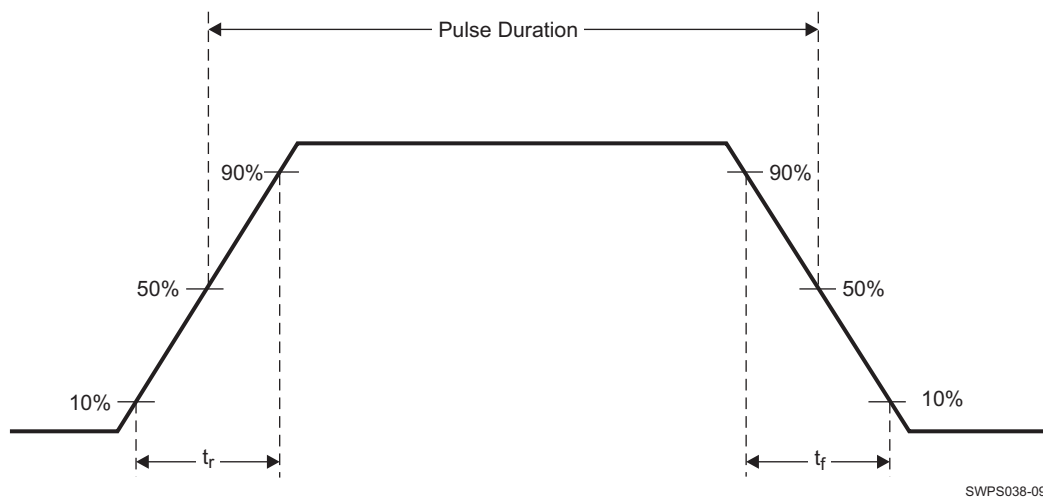
(1) The mode is configured by bits SC0 and SC1 of the IO cell. For more details, see the *AM/DM37x Multimedia Device Technical Reference Manual* (literature number [SPRUGN4](#)).

(2) Caution: Up to a rise time or a fall time of 1.2 ns, this can create EMI parasitics.

### 6.6.7.2 UART3 IrDA

The IrDA module can operate in three different modes:

- Slow infrared (SIR) ( $\leq 115.2$  Kbits/s)
- Medium infrared (MIR) (0.576 Mbits/s and 1.152 Mbits/s)
- Fast infrared (FIR) (4 Mbits/s)

**Figure 6-64. UART IrDA Pulse Parameters**

#### 6.6.7.2.1 UART3 IrDA—Receive Mode

**Table 6-106. UART3 IrDA Signaling Rate and Pulse Duration—Receive Mode**

SIGNALING RATE	ELECTRICAL PULSE DURATION			UNIT
	MIN	TYP	MAX	
<b>SIR</b>				
2.4 Kbit/s	52.17	78.13	208.33	μs
9.6 Kbit/s	13.10	19.53	52.08	μs
19.2 Kbit/s	6.59	9.77	26.04	μs
38.4 Kbit/s	3.34	4.88	13.02	μs
57.6 Kbit/s	2.25	3.26	8.68	μs
115.2 Kbit/s	1.17	1.63	4.34	μs
<b>MIR</b>				
0.576 Mbit/s	300.55	416.67	867.86	ns

**Table 6-106. UART3 IrDA Signaling Rate and Pulse Duration—Receive Mode (continued)**

SIGNALING RATE	ELECTRICAL PULSE DURATION			UNIT
	MIN	TYP	MAX	
1.152 Mbit/s	192.04	208.33	433.83	ns
<b>FIR</b>				
4.0 Mbit/s (Single pulse)	62.70	125.00	170.63	ns
4.0 Mbit/s (Double pulse)	208.53	250.00	291.47	ns

**Table 6-107. UART3 IrDA Rise and Fall Times—Receive Mode**

PARAMETER		MIN	TYP	MAX	UNIT
t <sub>R</sub>	Rise time, input data uart3_rx_irrx			200	ns
t <sub>F</sub>	Fall time, input data uart3_rx_irrx			200	ns

### 6.6.7.2.2 UART3 IrDA—Transmit Mode

**Table 6-108. UART3 IrDA Signaling Rate and Pulse Duration—Transmit Mode**

SIGNALING RATE	ELECTRICAL PULSE DURATION			UNIT
	MIN	TYP	MAX	
<b>SIR</b>				
2.4 Kbit/s	78.1	78.1	78.1	μs
9.6 Kbit/s	19.5	19.5	19.5	μs
19.2 Kbit/s	9.75	9.75	9.75	μs
38.4 Kbit/s	4.87	4.87	4.87	μs
57.6 Kbit/s	3.25	3.25	3.25	μs
115.2 Kbit/s	1.62	1.62	1.62	μs
<b>MIR</b>				
0.576 Mbit/s	414	416	419	ns
1.152 Mbit/s	206	208	211	ns
<b>FIR</b>				
4.0 Mbit/s (Single pulse)	123	125	128	ns
4.0 Mbit/s (Double pulse)	248	250	253	ns

## 6.6.8 Removable Media Interfaces

### 6.6.8.1 Multimedia Memory Card and Secure Digital IO Card (MMC)

#### NOTE

For more information, see MMC/SD/SDIO Card Interface chapter of the *AM/DM37x Multimedia Device Technical Reference Manual* (literature number [SPRUGN4](#)).

The MMC host controller provides an interface to high-speed and standard MMC, SD memory cards, or SDIO cards. The application interface is responsible for managing transaction semantics. The MMC/SDIO host controller deals with MMC/SDIO protocol at transmission level, packing data, adding CRC, start/end bit, and checking for syntactical correctness.

There are three MMC interfaces on the device:

- MMC1:
  - 1.8-V / 3-V support
  - 4-bit in Standard MMC, High-Speed MMC, Standard SD, and High-Speed SD modes

- MMC2:
  - 1.8-V support
  - 8-bit without external transceiver
  - 4-bit with external transceiver allowing supporting 3-V peripherals. Transceiver direction control signals are multiplexed with the upper four data bits.
- MMC3:
  - 1.8-V support
  - 8-bit without external transceiver

### 6.6.8.1.1 MMC1 Interface—SD Identification Modes

Table 6-110 and Table 6-111 assume testing over the recommended operating conditions and electrical characteristic conditions below.

**Table 6-109. MMC1 Interface Timing Conditions—SD Identification Modes**

TIMING CONDITION PARAMETER		VALUE	UNIT
<b>Input Conditions</b>			
$t_R$	Input signal rise time	10	ns
$t_F$	Input signal fall time	10	ns
<b>Output Condition</b>			
$C_{LOAD}$	Output load capacitance <sup>(1)</sup>	40	pF

(1) Buffer strength configuration: LB0 = 0.

**Table 6-110. MMC1 Interface Timing Requirements—SD Identification Modes<sup>(1) (2)</sup>**

NO.	PARAMETER	OPP100		OPP50		UNIT
		MIN	MAX	MIN	MAX	
<b>MMC1 Interface (1.8-V IO)</b>						
SD3	$t_{su}(CMDV-CLKIH)$	Setup time, mmc1_cmd valid before mmc1_clk rising clock edge		1198.4	1198.4	ns
SD4	$t_h(CLKIH-CMDIV)$	Hold time, mmc1_cmd valid after mmc1_clk rising clock edge		1249.2	1249.2	ns
<b>MMC1 Interface (3.0-V IO)</b>						
SD3	$t_{su}(CMDV-CLKIH)$	Setup time, mmc1_cmd valid before mmc1_clk rising clock edge		1198.4	1198.4	ns
SD4	$t_h(CLKIH-CMDIV)$	Hold time, mmc1_cmd valid after mmc1_clk rising clock edge		1249.2	1249.2	ns

(1) Corresponding figures showing timing parameters are common with other interface modes. (See SD , HS SD modes).

(2) See Section 4.3.4, Processor Clocks.

**Table 6-111. MMC1 Interface Switching Characteristics—SD Identification Modes<sup>(4) (7)</sup>**

NO.	PARAMETER	OPP100		OPP50		UNIT
		MIN	MAX	MIN	MAX	
<b>SD Identification Mode</b>						
SD1	$t_{c}(clk)$	Frequency <sup>(1)</sup> , output clock period		0.4	0.4	MHz
SD2	$t_{W}(clkH)$	Typical pulse duration, output clock high		$X^{(5)} \cdot PO^{(2)}$	$X^{(5)} \cdot PO^{(2)}$	ns
SD2	$t_{W}(clkL)$	Typical pulse duration, output clock low		$Y^{(6)} \cdot PO^{(2)}$	$Y^{(6)} \cdot PO^{(2)}$	ns
	$t_{dc}(clk)$	Duty cycle error, output clock		125	125	ns
	$t_{j}(clk)$	Jitter standard deviation <sup>(3)</sup> , output clock		200	200	ps
<b>MMC1 Interface (1.8-V IO)</b>						
	$t_R(clk)$	Rise time, output clock		10	10	ns
	$t_F(clk)$	Fall time, output clock		10	10	ns

**Table 6-111. MMC1 Interface Switching Characteristics—SD Identification Modes<sup>(4) (7)</sup> (continued)**

NO.	PARAMETER		OPP100		OPP50		UNIT
			MIN	MAX	MIN	MAX	
	t <sub>R(data)</sub>	Rise time, output data		10		10	ns
	t <sub>F(data)</sub>	Fall time, output data		10		10	ns
SD5	t <sub>d(CLKOH-CMD)</sub>	Delay time, mmc1_clk rising clock edge to mmc1_cmd transition	6.3	2492.7	6.3	2492.7	ns
<b>MMC1 Interface (3.0-V IO)</b>							
	t <sub>R(clk)</sub>	Rise time, output clock		10		10	ns
	t <sub>F(clk)</sub>	Fall time, output clock		10		10	ns
	t <sub>R(data)</sub>	Rise time, output data		10		10	ns
	t <sub>F(data)</sub>	Fall time, output data		10		10	ns
SD5	t <sub>d(CLKOH-CMD)</sub>	Delay time, mmc1_clk rising clock edge to mmc1_cmd transition	6.3	2492.7	6.3	2492.7	ns

(1) Related with the output clock maximum and minimum frequencies programmable in mmc module.

(2) PO = output clock period in ns

(3) The jitter probability density can be approximated by a Gaussian function.

(4) Corresponding figures showing timing parameters are common with other interface modes. (See SD, HS SD modes).

(5) The X parameter is defined as follows:

CLKD	X
1 or Even	0.5
Odd	(trunk[CLKD/2]+1)/CLKD

All required details about clock division factor CLKD can be found in the *AM/DM37x Multimedia Device Technical Reference Manual* (literature number [SPRUGN4](#)).

(6) The Y parameter is defined as follows:

CLKD	Y
1 or Even	0.5
Odd	(trunk[CLKD/2])/CLKD

All required details about clock division factor CLKD can be found in the *AM/DM37x Multimedia Device Technical Reference Manual* (literature number [SPRUGN4](#)).

(7) See [Section 4.3.4](#), *Processor Clocks*.

**6.6.8.1.2 MMC1 Interface—High-Speed SD Mode**

[Table 6-113](#) and [Table 6-114](#) assume testing over the recommended operating conditions and electrical characteristic conditions below (see [Figure 6-65](#) and [Figure 6-66](#)).

**Table 6-112. MMC1 Interface Timing Conditions—High-Speed SD Mode**

TIMING CONDITION PARAMETER		VALUE	UNIT
<b>Input Conditions</b>			
t <sub>R</sub>	Input signal rise time	3	ns
t <sub>F</sub>	Input signal fall time	3	ns
<b>Output Condition</b>			
C <sub>LOAD</sub>	Output load capacitance <sup>(1)</sup>	40	pF

(1) Buffer strength configuration: SPEEDCTRL = 1.

**Table 6-113. MMC1 Interface Timing Requirements—High-Speed SD Mode<sup>(2)</sup>**

NO.	PARAMETER		OPP100		OPP50		UNIT
			MIN	MAX	MIN	MAX	
<b>MMC1 Interface (1.8-V IO)</b>							
HSSD3	$t_{su}(CMDV-CLKIH)$	Setup time, mmc1_cmd valid before mmc1_clk rising clock edge	5.6		26		ns
HSSD4	$t_h(CLKIH-CMDIV)$	Hold time, mmc1_cmd valid after mmc1_clk rising clock edge	2.3		1.9		ns
HSSD7	$t_{su}(DATxV-CLKIH)$	Setup time, mmc1_dat[n:0] <sup>(1)</sup> valid before mmc1_clk rising clock edge	5.6		26		ns
HSSD8	$t_h(CLKIH-DATxIV)$	Hold time, mmc1_dat[n:0] <sup>(1)</sup> valid after mmc1_clk rising clock edge	2.3		1.9		ns
<b>MMC1 Interface (3.0-V IO)</b>							
HSSD3	$t_{su}(CMDV-CLKIH)$	Setup time, mmc1_cmd valid before mmc1_clk rising clock edge	5.6		26		ns
HSSD4	$t_h(CLKIH-CMDIV)$	Hold time, mmc1_cmd valid after mmc1_clk rising clock edge	2.3		1.9		ns
HSSD7	$t_{su}(DATxV-CLKIH)$	Setup time, mmc1_dat[n:0] <sup>(1)</sup> valid before mmc1_clk rising clock edge	5.6		26		ns
HSSD8	$t_h(CLKIH-DATxIV)$	Hold time, mmc1_dat[n:0] <sup>(1)</sup> valid after mmc1_clk rising clock edge	2.3		1.9		ns

(1) In mmc1\_dat[n:0], n is equal to 3.

(2) See [Section 4.3.4, Processor Clocks](#).



**Table 6-114. MMC1 Interface Switching Characteristics—High-Speed SD Mode<sup>(7)</sup>**

NO.	PARAMETER	OPP100		OPP50		UNIT		
		MIN	MAX	MIN	MAX			
<b>High-Speed SD Mode</b>								
HSSD1	$t_{c(\text{clk})}$	Frequency <sup>(1)</sup> , output clock period		48	24	MHz		
HSSD2	$t_{W(\text{clkH})}$	Typical pulse duration, output clock high		$X^{(4)} \cdot PO^{(2)}$	$X^{(4)} \cdot PO^{(2)}$	ns		
HSSD2	$t_{W(\text{clkL})}$	Typical pulse duration, output clock low		$Y^{(5)} \cdot PO^{(2)}$	$Y^{(5)} \cdot PO^{(2)}$	ns		
	$t_{dc(\text{clk})}$	Duty cycle error, output clock		1041.67	2083.33	ps		
	$t_{J(\text{clk})}$	Jitter standard deviation <sup>(3)</sup> , output clock		200	200	ps		
<b>MMC1 Interface (1.8-V IO)</b>								
	$t_{R(\text{clk})}$	Rise time, output clock		3	3	ns		
	$t_{F(\text{clk})}$	Fall time, output clock		3	3	ns		
	$t_{R(\text{data})}$	Rise time, output data		3	3	ns		
	$t_{F(\text{data})}$	Fall time, output data		3	3	ns		
HSSD5	$t_{d(\text{CLKOH-CMD})}$	Delay time, mmc1_clk rising clock edge to mmc1_cmd transition		3.72	14.11	4.13	34.53	ns
HSSD6	$t_{d(\text{CLKOH-DATx})}$	Delay time, mmc1_clk rising clock edge to mmc1_dat[n:0] <sup>(6)</sup> transition		3.72	14.11	4.13	34.53	ns
<b>MMC1 Interface (3.0-V IO)</b>								
	$t_{R(\text{clk})}$	Rise time, output clock		3	3	ns		
	$t_{F(\text{clk})}$	Fall time, output clock		3	3	ns		
	$t_{R(\text{data})}$	Rise time, output data		3	3	ns		
	$t_{F(\text{data})}$	Fall time, output data		3	3	ns		
HSSD5	$t_{d(\text{CLKOH-CMD})}$	Delay time, mmc1_clk rising clock edge to mmc1_cmd transition		3.72	14.11	4.13	34.53	ns
HSSD6	$t_{d(\text{CLKOH-DATx})}$	Delay time, mmc1_clk rising clock edge to mmc1_dat[n:0] <sup>(6)</sup> transition		3.72	14.11	4.13	34.53	ns

(1) Related with the output clock maximum and minimum frequencies programmable in MMC module.

(2) PO = output clock period in ns

(3) The jitter probability density can be approximated by a Gaussian function.

(4) The X parameter is defined as follows:

CLKD	X
1 or Even	0.5
Odd	$(\text{trunk}[\text{CLKD}/2]+1)/\text{CLKD}$

All required details about clock division factor CLKD can be found in the *AM/DM37x Multimedia Device Technical Reference Manual* (literature number [SPRUGN4](#)).

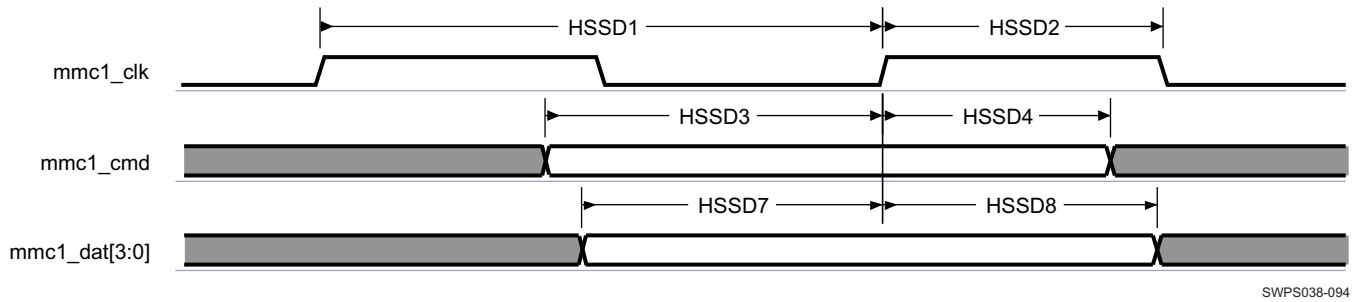
(5) The Y parameter is defined as follows:

CLKD	Y
1 or Even	0.5
Odd	$(\text{trunk}[\text{CLKD}/2])/\text{CLKD}$

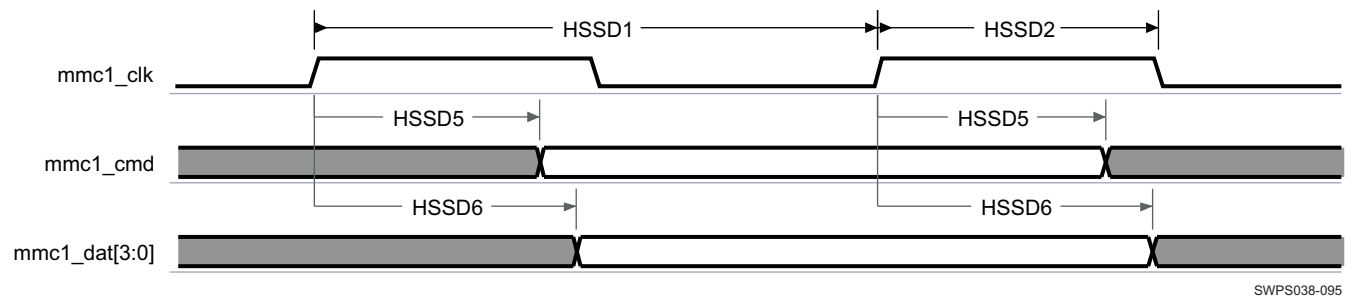
All required details about clock division factor CLKD can be found in the *AM/DM37x Multimedia Device Technical Reference Manual* (literature number [SPRUGN4](#)).

(6) In mmc1\_dat[n:0], n is equal to 3.

(7) See [Section 4.3.4](#), *Processor Clocks*.



**Figure 6-65. MMC1 Interface—High-Speed SD Mode—Data/Command Receive**



**Figure 6-66. MMC1 Interface—High-Speed SD Mode—Data/Command Transmit**

### 6.6.8.1.3 MMC1 Interface—Standard SD Mode

Table 6-116 and Table 6-117 assume testing over the recommended operating conditions and electrical characteristic conditions below (see Figure 6-67 and Figure 6-68).

**Table 6-115. MMC1 Interface Timing Conditions—Standard SD Mode**

TIMING CONDITION PARAMETER		VALUE	UNIT
<b>Input Conditions</b>			
$t_R$	Input signal rise time	10	ns
$t_F$	Input signal fall time	10	ns
<b>Output Condition</b>			
$C_{LOAD}$	Output load capacitance <sup>(1)</sup>	40	pF

(1) Buffer strength configuration: SPEEDCTRL = 1.

**Table 6-116. MMC1 Interface Timing Requirements—Standard SD Mode<sup>(1) (2) (4)</sup>**

NO.	PARAMETER	OPP100		OPP50		UNIT
		MIN	MAX	MIN	MAX	
<b>MMC1 Interface (1.8-V IO)</b>						
SD3	$t_{su}(CMDV-CLKIH)$	Setup time, mmc1_cmd valid before mmc1_clk rising clock edge		3.3	21.9	ns
SD4	$t_{h}(CLKIH-CMDIV)$	Hold time, mmc1_cmd valid after mmc1_clk rising clock edge		18.1	36.7	ns
SD7	$t_{su}(DATxV-CLKIH)$	Setup time, mmc1_dat[n:0] <sup>(3)</sup> valid before mmc1_clk rising clock edge		3.3	21.9	ns
SD8	$t_{h}(CLKIH-DATxIV)$	Hold time, mmc1_dat[n:0] <sup>(3)</sup> valid after mmc1_clk rising clock edge		18.1	36.7	ns
<b>MMC1 Interface (3.0-V IO)</b>						
SD3	$t_{su}(CMDV-CLKIH)$	Setup time, mmc1_cmd valid before mmc1_clk rising clock edge		3.3	21.9	ns

**Table 6-116. MMC1 Interface Timing Requirements—Standard SD Mode<sup>(1) (2) (4)</sup> (continued)**

NO.	PARAMETER		OPP100		OPP50		UNIT
			MIN	MAX	MIN	MAX	
SD4	$t_{h(\text{CLKIH-CMDIV})}$	Hold time, mmc1_cmd valid after mmc1_clk rising clock edge	18.1		36.7		ns
SD7	$t_{su(\text{DATxV-CLKIH})}$	Setup time, mmc1_dat[n:0] <sup>(3)</sup> valid before mmc1_clk rising clock edge	3.3		21.9		ns
SD8	$t_{h(\text{CLKIH-DATxIV})}$	Hold time, mmc1_dat[n:0] <sup>(3)</sup> valid after mmc1_clk rising clock edge	18.1		36.7		ns

(1) Timing parameters are referred to output clock specified in Table 6-117.

(2) The timing requirements are assured for the cycle jitter and duty cycle error conditions specified in Table 6-117.

(3) In mmc1\_dat[n:0], n is equal to 3.

(4) See Section 4.3.4, Processor Clocks.

**Table 6-117. MMC1 Interface Switching Characteristics—Standard SD Mode<sup>(7)</sup>**

NO.	PARAMETER		OPP100		OPP50		UNIT
			MIN	MAX	MIN	MAX	
<b>Standard SD Mode</b>							
SD1	$t_{c(\text{clk})}$	Frequency <sup>(1)</sup> , output clock period		24		12	MHz
SD2	$t_{W(\text{clkH})}$	Typical pulse duration, output clock high	$X^{(4)} \cdot PO^{(2)}$		$X^{(4)} \cdot PO^{(2)}$		ns
SD2	$t_{W(\text{clkL})}$	Typical pulse duration, output clock low	$Y^{(5)} \cdot PO^{(2)}$		$Y^{(5)} \cdot PO^{(2)}$		ns
	$t_{dc(\text{clk})}$	Duty cycle error, output clock		2083.33		4166.67	ps
	$t_{j(\text{clk})}$	Jitter standard deviation <sup>(3)</sup> , output clock		200		200	ps
<b>MMC1 Interface (1.8-V)</b>							
	$t_{R(\text{clk})}$	Rise time, output clock		10		10	ns
	$t_{F(\text{clk})}$	Fall time, output clock		10		10	ns
	$t_{R(\text{data})}$	Rise time, output data		10		10	ns
	$t_{F(\text{data})}$	Fall time, output data		10		10	ns
SD5	$t_{d(\text{CLKOH-CMD})}$	Delay time, mmc1_clk rising clock edge to mmc1_cmd transition	6.13	35.53	6.3	77.03	ns
SD6	$t_{d(\text{CLKOH-DATx})}$	Delay time, mmc1_clk rising clock edge to mmc1_dat[n:0] <sup>(6)</sup> transition	6.13	35.53	6.3	77.03	ns
<b>MMC1 Interface (3.0-V)</b>							
	$t_{R(\text{clk})}$	Rise time, output clock		10		10	ns
	$t_{F(\text{clk})}$	Fall time, output clock		10		10	ns
	$t_{R(\text{data})}$	Rise time, output data		10		10	ns
	$t_{F(\text{data})}$	Fall time, output data		10		10	ns
SD5	$t_{d(\text{CLKOH-CMD})}$	Delay time, mmc1_clk rising clock edge to mmc1_cmd transition	6.13	35.53	6.3	77.03	ns
SD6	$t_{d(\text{CLKOH-DATx})}$	Delay time, mmc1_clk rising clock edge to mmc1_dat[n:0] <sup>(6)</sup> transition	6.13	35.53	6.3	77.03	ns

(1) Related with the output clock maximum and minimum frequencies programmable in MMC module.

(2) PO = output clock period in ns

(3) The jitter probability density can be approximated by a Gaussian function.

(4) The X parameter is defined as follows:

CLKD	X
1 or Even	0.5
Odd	$(\text{trunk}[\text{CLKD}/2]+1)/\text{CLKD}$

All required details about clock division factor CLKD can be found in the *AM/DM37x Multimedia Device Technical Reference Manual* (literature number [SPRUGN4](#)).

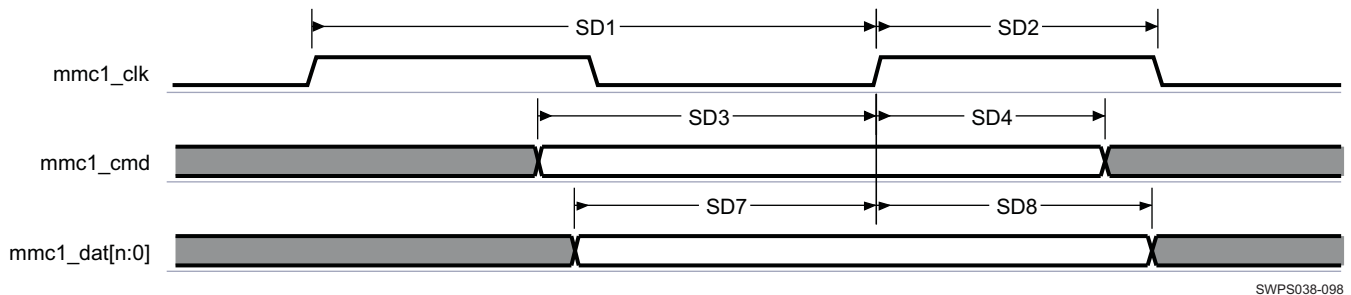
(5) The Y parameter is defined as follows:

CLKD	Y
1 or Even	0.5
Odd	$(\text{trunk}[\text{CLKD}/2])/\text{CLKD}$

All required details about clock division factor CLKD can be found in the *AM/DM37x Multimedia Device Technical Reference Manual* (literature number [SPRUGN4](#)).

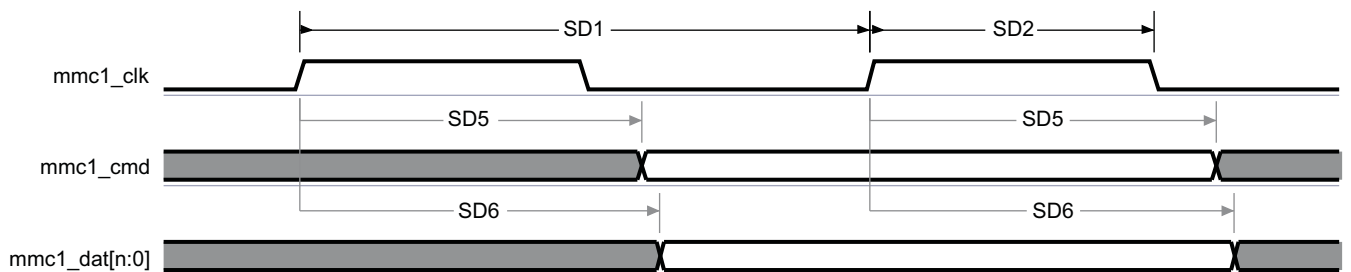
(6) In mmc1\_dat[n:0], n is equal to 3.

(7) See [Section 4.3.4](#), *Processor Clocks*.



SWPS038-098

**Figure 6-67. MMC1 Interface—Standard SD Mode—Data/Command Receive**



SWPS038-099

**Figure 6-68. MMC1 Interface—Standard SD Mode—Data/Command Transmit**

#### 6.6.8.1.4 MMC1 Interface—Standard MMC and MMC Identification Modes

[Table 6-119](#) and [Table 6-120](#) assume testing over the recommended operating conditions and electrical characteristic conditions below (see [Figure 6-69](#) and [Figure 6-70](#)).

**Table 6-118. MMC1 Interface Timing Conditions—Standard MMC and MMC Identification Modes**

TIMING CONDITION PARAMETER		VALUE	UNIT
<b>Input Conditions</b>			
$t_R$	Input signal rise time	3	ns
$t_F$	Input signal fall time	3	ns
<b>Output Conditions</b>			
$C_{LOAD}$	Output load capacitance <sup>(1)</sup>	30	pF

(1) Buffer strength configuration: SPEEDCTRL = 1.

**Table 6-119. MMC1 Interface Timing Requirements—Standard MMC and MMC Identification Modes<sup>(2) (3) (4)</sup>**

NO.	PARAMETER	OPP100		OPP50		UNIT
		MIN	MAX	MIN	MAX	
<b>MMC1 Interface (1.8-V IO)</b>						
MMC3	$t_{su}(CMDV-CLKIH)$	Setup time, mmc1_cmd valid before mmc1_clk rising clock edge		13.6	55.1	ns
MMC4	$t_h(CLKIH-CMDIV)$	Hold time, mmc1_cmd valid after mmc1_clk rising clock edge		7.7	7.5	ns
MMC7	$t_{su}(DATxV-CLKIH)$	Setup time, mmc1_dat[n:0] <sup>(1)</sup> valid before mmc1_clk rising clock edge		13.6	55.1	ns
MMC8	$t_h(CLKIH-DATxIV)$	Hold time, mmc1_dat[n:0] <sup>(1)</sup> valid after mmc1_clk rising clock edge		7.7	7.5	ns
<b>MMC1 Interface (3.0-V IO)</b>						
MMC3	$t_{su}(CMDV-CLKIH)$	Setup time, mmc1_cmd valid before mmc1_clk rising clock edge		13.6	55.1	ns
MMC4	$t_h(CLKIH-CMDIV)$	Hold time, mmc1_cmd valid after mmc1_clk rising clock edge		7.7	7.5	ns
MMC7	$t_{su}(DATxV-CLKIH)$	Setup time, mmc1_dat[n:0] <sup>(1)</sup> valid before mmc1_clk rising clock edge		13.6	55.1	ns
MMC8	$t_h(CLKIH-DATxIV)$	Hold time, mmc1_dat[n:0] <sup>(1)</sup> valid after mmc1_clk rising clock edge		7.7	7.5	ns

(1) In mmc1\_dat[n:0], n is equal to 3.

(2) Timing parameters are referred to output clock specified in [Table 6-120](#).

(3) The timing requirements are assured for the cycle jitter and duty cycle error conditions specified in [Table 6-120](#).

(4) See [Section 4.3.4, Processor Clocks](#).

**Table 6-120. MMC1 Interface Switching Characteristics—Standard MMC and MMC Identification Modes<sup>(7)</sup>**

NO.	PARAMETER	OPP100		OPP50		UNIT
		MIN	MAX	MIN	MAX	
<b>MMC Identification Mode</b>						
MMC1	$1/t_{c}(clk)$	Frequency <sup>(1)</sup> , output clk period		0.4	0.4	MHz
MMC2	$t_{W}(clkH)$	Typical pulse duration, output clk high		$X^{(5)} \cdot PO^{(2)}$	$X^{(5)} \cdot PO^{(2)}$	ns
MMC2	$t_{W}(clkL)$	Typical pulse duration, output clk low		$Y^{(6)} \cdot PO^{(2)}$	$Y^{(6)} \cdot PO^{(2)}$	ns
	$t_{dc}(clk)$	Duty cycle error, output clk		125	125	ns
	$t_{j}(clk)$	Jitter standard deviation <sup>(3)</sup> , output clk		200	200	ps
<b>Standard MMC Identification Mode</b>						
MMC1	$t_{c}(clk)$	Frequency <sup>(1)</sup> , output clk period		24	12	MHz
MMC2	$t_{W}(clkH)$	Typical pulse duration, output clk high		$X^{(5)} \cdot PO^{(2)}$	$X^{(5)} \cdot PO^{(2)}$	ns
MMC2	$t_{W}(clkL)$	Typical pulse duration, output clk low		$Y^{(6)} \cdot PO^{(2)}$	$Y^{(6)} \cdot PO^{(2)}$	ns
	$t_{dc}(clk)$	Duty cycle error, output clk		2083.3	4166.7	ps
	$t_{j}(clk)$	Jitter standard deviation <sup>(3)</sup> , output clk		200	200	ps
<b>MMC1 Interface (1.8-V IO)</b>						
	$t_R(clk)$	Rise time, output clk		10	10	ns

**Table 6-120. MMC1 Interface Switching Characteristics—Standard MMC and MMC Identification Modes<sup>(7)</sup> (continued)**

NO.	PARAMETER		OPP100		OPP50		UNIT
			MIN	MAX	MIN	MAX	
	$t_{F(\text{clk})}$	Fall time, output clk		10		10	ns
	$t_{R(\text{data})}$	Rise time, output data		10		10	ns
	$t_{F(\text{data})}$	Fall time, output data		10		10	ns
MMC5	$t_{d(\text{CLKOH-CMD})}$	Delay time, mmc1_clk rising clock edge to mmc1_cmd transition	4.1	37.6	4.3	79	ns
MMC6	$t_{d(\text{CLKOH-DATx})}$	Delay time, mmc1_clk rising clock edge to mmc1_dat[n:0] <sup>(4)</sup> transition	4.1	37.6	4.3	79	ns
<b>MMC1 Interface (3.0-V IO)</b>							
	$t_{R(\text{clk})}$	Rise time, output clk		10		10	ns
	$t_{F(\text{clk})}$	Fall time, output clk		10		10	ns
	$t_{R(\text{data})}$	Rise time, output data		10		10	ns
	$t_{F(\text{data})}$	Fall time, output data		10		10	ns
MMC5	$t_{d(\text{CLKOH-CMD})}$	Delay time, mmc1_clk rising clock edge to mmc1_cmd transition	4.1	37.6	4.3	79	ns
MMC6	$t_{d(\text{CLKOH-DATx})}$	Delay time, mmc1_clk rising clock edge to mmc1_dat[n:0] <sup>(4)</sup> transition	4.1	37.6	4.3	79	ns

- (1) Related with the output clock maximum and minimum frequencies programmable in MMC module.
- (2) PO = output clock period in ns
- (3) The jitter probability density can be approximated by a Gaussian function.
- (4) In mmc1\_dat[n:0], n is equal to 3.
- (5) The X parameter is defined as follows:

CLKD	X
1 or Even	0.5
Odd	$(\text{trunk}[\text{CLKD}/2]+1)/\text{CLKD}$

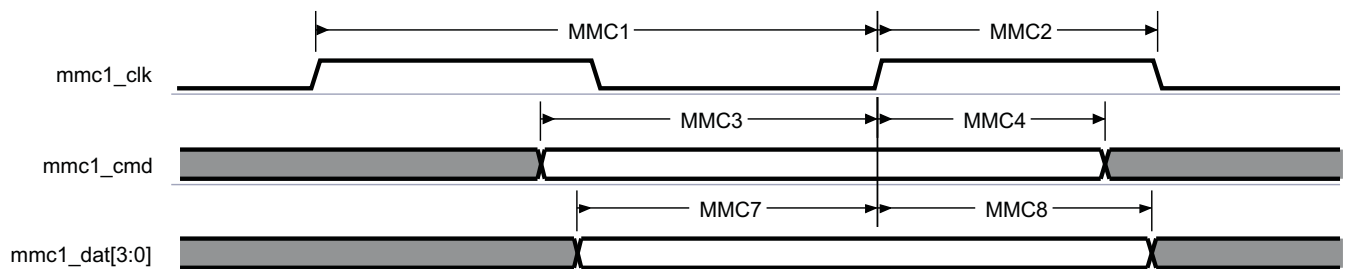
All required details about clock division factor CLKD can be found in the *AM/DM37x Multimedia Device Technical Reference Manual* (literature number [SPRUGN4](#)).

- (6) The Y parameter is defined as follows:

CLKD	Y
1 or Even	0.5
Odd	$(\text{trunk}[\text{CLKD}/2])/ \text{CLKD}$

All required details about clock division factor CLKD can be found in the *AM/DM37x Multimedia Device Technical Reference Manual* (literature number [SPRUGN4](#)).

- (7) See [Section 4.3.4](#), *Processor Clocks*.



SWPS038-102

**Figure 6-69. MMC1 Interface—Standard MMC and MMC Identification Modes—Data/Command Receive**

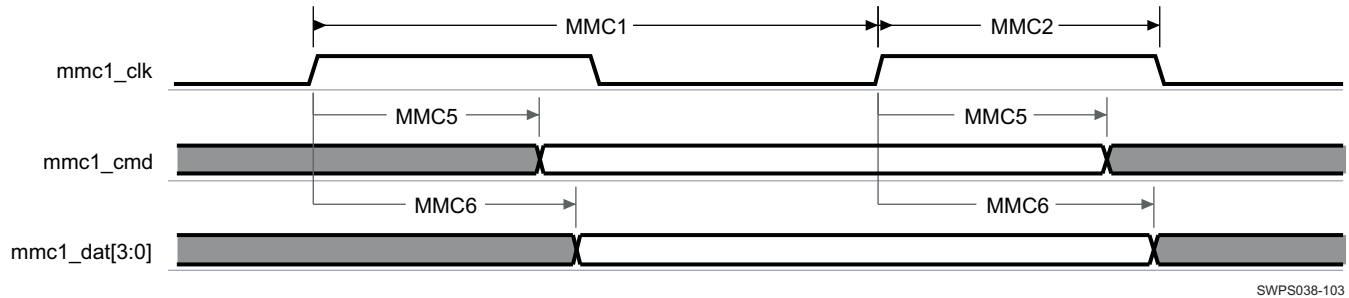


Figure 6-70. MMC1 Interface—Standard MMC and MMC Identification Modes—Data/Command Transmit

6.6.8.1.5 MMC1 Interface—High-Speed MMC Mode

Table 6-122 and Table 6-123 assume testing over the recommended operating conditions and electrical characteristic conditions below (see Figure 6-71 and Figure 6-72).

Table 6-121. MMC1 Interface Timing Conditions—High-Speed MMC Mode

TIMING CONDITION PARAMETER		VALUE	UNIT
<b>Input Conditions</b>			
$t_R$	Input signal rise time	3	ns
$t_F$	Input signal fall time	3	ns
<b>Output Conditions</b>			
$C_{LOAD}$	Output load capacitance <sup>(1)</sup>	30	pF

(1) The load setting of the IO buffer: SPEEDCTRL = 1.

Table 6-122. MMC1 Interface Timing Requirements—High-Speed MMC Mode<sup>(2) (3) (4) (5)</sup>

NO.	PARAMETER		OPP100		OPP50		UNIT
			MIN	MAX	MIN	MAX	
<b>MMC1 Interface (1.8-V IO)</b>							
MMC3	$t_{su}(CMDV-CLKIH)$	Setup time, mmc1_cmd valid before mmc1_clk rising clock edge	5.6		26.0		ns
MMC4	$t_h(CLKIH-CMDIV)$	Hold time, mmc1_cmd valid after mmc1_clk rising clock edge	2.3		1.9		ns
MMC7	$t_{su}(DATxV-CLKIH)$	Setup time, mmc1_dat[n:0] <sup>(1)</sup> valid before mmc1_clk rising clock edge	5.6		26.0		ns
MMC8	$t_h(CLKIH-DATxIV)$	Hold time, mmc1_dat[n:0] <sup>(1)</sup> valid after mmc1_clk rising clock edge	2.3		1.9		ns
<b>MMC1 Interface (3.0-V IO)</b>							
MMC3	$t_{su}(CMDV-CLKIH)$	Setup time, mmc1_cmd valid before mmc1_clk rising clock edge	5.6		26.0		ns
MMC4	$t_h(CLKIH-CMDIV)$	Hold time, mmc1_cmd valid after mmc1_clk rising clock edge	2.3		1.9		ns
MMC7	$t_{su}(DATxV-CLKIH)$	Setup time, mmc1_dat[n:0] <sup>(1)</sup> valid before mmc1_clk rising clock edge	5.6		26.0		ns
MMC8	$t_h(CLKIH-DATxIV)$	Hold time, mmc1_dat[n:0] <sup>(1)</sup> valid after mmc1_clk rising clock edge	2.3		1.9		ns

(1) In mmc1\_dat[n:0], n is equal to 3.

(2) Timing parameters are referred to output clock specified in Table 6-123.

(3) The timing requirements are assured for the cycle jitter and duty cycle error conditions specified in Table 6-123.

(4) Corresponding figures showing timing parameters are common with the Standard MMC mode figures.

(5) See Section 4.3.4, Processor Clocks.

**Table 6-123. MMC1 Interface Switching Characteristics—High-Speed MMC Mode<sup>(4)</sup> (8)**

NO.	PARAMETER		OPP100		OPP50		UNIT
			MIN	MAX	MIN	MAX	
MMC1	$t_{c(\text{clk})}$	Frequency <sup>(1)</sup> , output clk period		48		24	MHz
MMC2	$t_{W(\text{clkH})}$	Typical pulse duration, output clk high	$X^{(6)} \cdot PO^{(2)}$		$X^{(6)} \cdot PO^{(2)}$		ns
MMC2	$t_{W(\text{clkL})}$	Typical pulse duration, output clk low	$Y^{(7)} \cdot PO^{(2)}$		$Y^{(7)} \cdot PO^{(2)}$		ns
	$t_{dc(\text{clk})}$	Duty cycle error, output clk		1041.7		2083.3	ps
	$t_{j(\text{clk})}$	Jitter standard deviation <sup>(3)</sup> , output clk		200		200	ps
<b>MMC1 Interface (1.8-V IO)</b>							
	$t_{R(\text{clk})}$	Rise time, output clk		3		3	ns
	$t_{F(\text{clk})}$	Fall time, output clk		3		3	ns
	$t_{R(\text{data})}$	Rise time, output data		3		3	ns
	$t_{F(\text{data})}$	Fall time, output data		3		3	ns
MMC5	$t_{d(\text{CLKOH-CMD})}$	Delay time, mmc1_clk rising clock edge to mmc1_cmd transition	3.7	14.1	4.1	34.5	ns
MMC6	$t_{d(\text{CLKOH-DATx})}$	Delay time, mmc1_clk rising clock edge to mmc1_dat[n:0] <sup>(5)</sup> transition	3.7	14.1	4.1	34.5	ns
<b>MMC1 Interface (3.0-V IO)</b>							
	$t_{R(\text{clk})}$	Rise time, output clk		3		3	ns
	$t_{F(\text{clk})}$	Fall time, output clk		3		3	ns
	$t_{R(\text{data})}$	Rise time, output data		3		3	ns
	$t_{F(\text{data})}$	Fall time, output data		3		3	ns
MMC5	$t_{d(\text{CLKOH-CMD})}$	Delay time, mmc1_clk rising clock edge to mmc1_cmd transition	3.7	14.1	4.1	34.5	ns
MMC6	$t_{d(\text{CLKOH-DATx})}$	Delay time, mmc1_clk rising clock edge to mmc1_dat[n:0] <sup>(5)</sup> transition	3.7	14.1	4.1	34.5	ns

(1) Related with the output clock maximum and minimum frequencies programmable in MMC module.

(2) PO = output clock period in ns

(3) The jitter probability density can be approximated by a Gaussian function.

(4) Corresponding figures showing timing parameters are common with the Standard MMC mode figures.

(5) In MMC1\_dat[n:0], n is equal to 3.

(6) The X parameter is defined as follows:

CLKD	X
1 or Even	0.5
Odd	$(\text{trunk}[\text{CLKD}/2]+1)/\text{CLKD}$

All required details about clock division factor CLKD can be found in the *AM/DM37x Multimedia Device Technical Reference Manual* (literature number [SPRUGN4](#)).

(7) The Y parameter is defined as follows:

CLKD	Y
1 or Even	0.5
Odd	$(\text{trunk}[\text{CLKD}/2])/ \text{CLKD}$

All required details about clock division factor CLKD can be found in the *AM/DM37x Multimedia Device Technical Reference Manual* (literature number [SPRUGN4](#)).

(8) See [Section 4.3.4, Processor Clocks](#).



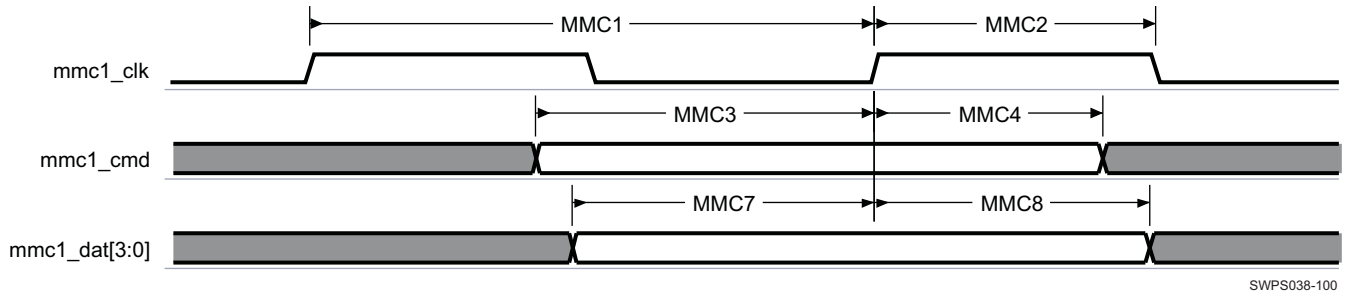


Figure 6-71. MMC1 Interface—High-Speed MMC Mode—Data/Command Receive

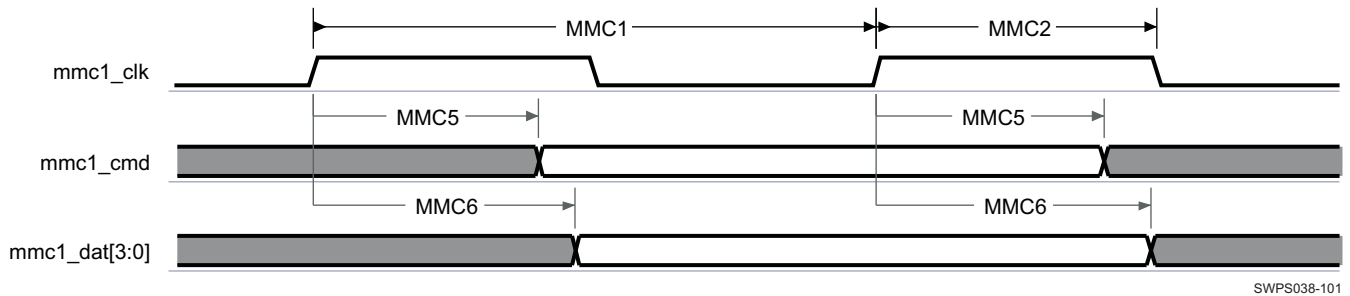


Figure 6-72. MMC1 Interface—High-Speed MMC Mode—Data/Command Transmit

6.6.8.1.6 MMC2 and MMC3 Interfaces—SDIO Identification Mode

Table 6-125 and Table 6-126 assume testing over the recommended operating conditions and electrical characteristic conditions below (see Figure 6-73 and Figure 6-74).

Table 6-124. MMC2 and MMC3 Interfaces Timing Conditions—SDIO Identification Mode

TIMING CONDITION PARAMETER		VALUE	UNIT
<b>Input Conditions</b>			
$t_R$	Input signal rise time	10	ns
$t_F$	Input signal fall time	10	ns
<b>Output Condition</b>			
$C_{LOAD}$	Output load capacitance <sup>(1)</sup>	5	pF

(1) Buffer strength configuration: LB0 = 0

Table 6-125. MMC2 and MMC3 Interfaces Timing Requirements—SDIO Identification Mode<sup>(1)(2)</sup>

NO.	PARAMETER	OPP100		OPP50		UNIT
		MIN	MAX	MIN	MAX	
<b>MMC2 and MMC3 Interface (1.8-V IO)</b>						
SD3	$t_{su}(CMDV-CLKIH)$	Setup time, mmc <sub>x</sub> _cmd valid before mmc <sub>x</sub> _clk rising clock edge		1198.4	1198.4	ns
SD4	$t_h(CLKIH-CMDIV)$	Hold time, mmc <sub>x</sub> _cmd valid after mmc <sub>x</sub> _clk rising clock edge		1249.2	1249.2	ns

(1) See Section 4.3.4, Processor Clocks.

(2) In mmc<sub>x</sub>, x is equal to 2 or 3.

**Table 6-126. MMC2 and MMC3 Interfaces Switching Characteristics—SDIO Identification Mode<sup>(4)(7)(7)</sup>**

NO.	PARAMETER	OPP100		OPP50		UNIT
		MIN	MAX	MIN	MAX	
<b>Standard SDIO Mode</b>						
SD1	$t_{c(\text{clk})}$	Frequency <sup>(1)</sup> , output clock period			0.4	MHz
SD2	$t_{W(\text{clkH})}$	Typical pulse duration, output clock high		$X^{(5)} * PO^{(2)}$		ns
SD2	$t_{W(\text{clkL})}$	Typical pulse duration, output clock low		$Y^{(6)} * PO^{(2)}$		ns
	$t_{dc(\text{clk})}$	Duty cycle error, output clock			125	ns
	$t_{j(\text{clk})}$	Jitter standard deviation <sup>(3)</sup> , output clock			200	ps
	$t_{R(\text{clk})}$	Rise time, output clock			10	ns
	$t_{F(\text{clk})}$	Fall time, output clock			10	ns
	$t_{R(\text{data})}$	Rise time, output data			10	ns
	$t_{F(\text{data})}$	Fall time, output data			10	ns
SD5	$t_{d(\text{CLKOH-CMD})}$	Delay time, mmc_x_clk rising clock edge to mmc_x_cmd transition		6.3	2492.7	ns

(1) Related to the output mmc\_x\_clk maximum and minimum frequency.

(2) P = output mmc\_x\_clk period in ns

(3) The jitter probability density can be approximated by a Gaussian function.

(4) Corresponding figures showing timing parameters are common with other interface modes (see SDIO, HS SDIO modes).

(5) The X parameter is defined as follows:

CLKD	X
1 or Even	0.5
Odd	$(\text{trunk}[\text{CLKD}/2]+1)/\text{CLKD}$

All required details about clock division factor CLKD can be found in the *AM/DM37x Multimedia Device Technical Reference Manual* (literature number [SPRUGN4](#)).

(6) The Y parameter is defined as follows:

CLKD	Y
1 or Even	0.5
Odd	$(\text{trunk}[\text{CLKD}/2])/\text{CLKD}$

All required details about clock division factor CLKD can be found in the *AM/DM37x Multimedia Device Technical Reference Manual* (literature number [SPRUGN4](#)).

(7) In mmc\_x, x is equal to 2 or 3.

### 6.6.8.1.7 MMC2 and MMC3 Interfaces—High-Speed SDIO Mode

Table 6-128 and Table 6-129 assume testing over the recommended operating conditions and electrical characteristic conditions below (see Figure 6-73 and Figure 6-74).

**Table 6-127. MMC2 and MMC3 Interfaces Timing Conditions—High-Speed SDIO Mode**

TIMING CONDITION PARAMETER		VALUE		UNIT
		MIN	MAX	
<b>Input Conditions</b>				
$t_R$	Input signal rise time	0.18	5.69	ns
$t_F$	Input signal fall time	0.19	5.70	ns
<b>Output Condition</b>				
$C_{LOAD}$	Output load capacitance <sup>(1)</sup>	5		pF

(1) Buffer strength configuration for MMC2 and MMC3: LB0 = 0.

**Table 6-128. MMC2 and MMC3 Interfaces Timing Requirements—High-Speed SDIO Mode<sup>(2)</sup>**

NO.	PARAMETER		OPP100		OPP50		UNIT
			MIN	MAX	MIN	MAX	
HSSD3	$t_{su(dV-clkH)}$	Setup time, mmc_x_cmd valid before mmc_x_clk rising clock edge	3.4		23.8		ns
HSSD4	$t_{h(clkH-dV)}$	Hold time, mmc_x_cmd valid after mmc_x_clk rising clock edge	1.7		1.3		ns
HSSD7	$t_{su(dV-clkH)}$	Setup time, mmc_x_dat[n:0] <sup>(1)</sup> valid before mmc_x_clk rising clock edge	3.4		23.8		ns
HSSD8	$t_{h(clkH-dV)}$	Hold time, mmc_x_dat[n:0] <sup>(1)</sup> valid after mmc_x_clk rising clock edge	1.7		1.3		ns

(1) In mmc\_x\_dat[n:0], n is equal to 3 for mmc2 and 7 for mmc3.

(2) See Section 4.3.4, Processor Clocks.

**Table 6-129. MMC2 and MMC3 Interfaces Switching Characteristics—High-Speed SDIO Mode<sup>(2) (5)</sup>**

NO.	PARAMETER		OPP100		OPP50		UNIT
			MIN	MAX	MIN	MAX	
HSSD1	$f_{c(clk)}$	Frequency <sup>(1)</sup> , output mmc_x_clk period		48		24	MHz
HSSD2	$t_{W(clkH)}$	Typical pulse duration, output mmc_x_clk high	0.5*P <sup>(3)</sup>		0.5*P <sup>(3)</sup>		ns
HSSD2	$t_{W(clkL)}$	Typical pulse duration, output mmc_x_clk low	0.5*P <sup>(3)</sup>		0.5*P <sup>(3)</sup>		ns
	$t_{dc(clk)}$	Duty cycle error, output mmc_x_clk	-1042	1042	-2083	2083	ps
	$t_{J(clk)}$	Jitter standard deviation <sup>(4)</sup> , output mmc_x_clk	-65	65	-65	65	ps
HSSD5	$t_{d(clkL-doV)}$	Delay time, mmc_x_clk rising clock edge to mmc_x_cmd transition	2.6	13.8	3	34.3	ns
HSSD6	$t_{d(clkL-doV)}$	Delay time, mmc_x_clk rising clock edge to mmc_x_dat[n:0] <sup>(2)</sup> transition	2.6	13.8	3	34.3	ns

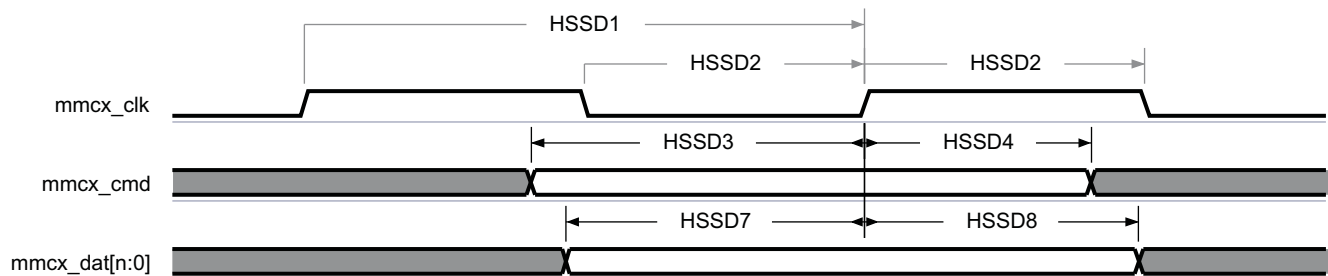
(1) Related with the output mmc\_x\_clk maximum and minimum frequency.

(2) In mmc\_x, x = 2 or 3. In mmc\_x\_dat[n:0], n is equal to 3 for mmc2 and 7 for mmc3.

(3) P = output mmc\_x\_clk period in ns.

(4) The jitter probability density can be approximated by a Gaussian function.

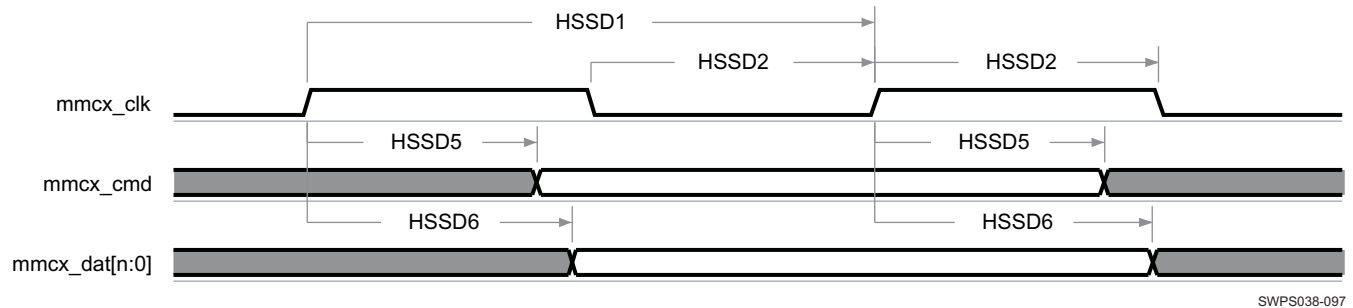
(5) See Section 4.3.4, Processor Clocks.



SWPS038-096

**Figure 6-73. MMC2 and MMC3 Interfaces—High-Speed SDIO Mode—Data/Command Receive<sup>(1)</sup>**

(1) In mmc\_x, x = 2 or 3. In mmc\_x\_dat[n:0], n is equal to 3 for mmc2 and 7 for mmc3.



SWPS038-097

**Figure 6-74. MMC2 and MMC3 Interfaces—High-Speed SDIO Mode—Data/Command Transmit<sup>(1)</sup>**

(1) In mmc<sub>x</sub>, x = 2 or 3. In mmc<sub>x</sub>\_dat[n:0], n is equal to 3 for mmc2 and 7 for mmc3.

### 6.6.8.1.8 MMC2 and MMC3 Interfaces—Standard SDIO Mode

Table 6-131 and Table 6-132 assume testing over the recommended operating conditions and electrical characteristic conditions below (see Figure 5-89 and Figure 5-90).

**Table 6-130. MMC2 and MMC3 Interfaces Timing Conditions—Standard SDIO Mode**

TIMING CONDITION PARAMETER		VALUE	UNIT
<b>Input Conditions</b>			
$t_R$	Input signal rise time	10	ns
$t_F$	Input signal fall time	10	ns
<b>Output Condition</b>			
$C_{LOAD}$	Output load capacitance <sup>(1)</sup>	5	pF

(1) Buffer strength configuration: SPEEDCTRL = 1

**Table 6-131. MMC2 and MMC3 Interfaces Timing Requirements—Standard SDIO Mode<sup>(2)(3)</sup>**

NO.	PARAMETER	OPP100		OPP50		UNIT
		MIN	MAX	MIN	MAX	
<b>MMC2 and MMC3 Interface (1.8-V IO)</b>						
SD3	$t_{su}(CMDV-CLKIH)$	Setup time, mmc <sub>x</sub> _cmd valid before mmc <sub>x</sub> _clk rising clock edge		3.3	21.9	ns
SD4	$t_h(CLKIH-CMDIV)$	Hold time, mmc <sub>x</sub> _cmd valid after mmc <sub>x</sub> _clk rising clock edge		18.1	36.7	ns
SD7	$t_{su}(DATxV-CLKIH)$	Setup time, mmc <sub>x</sub> _dat[n:0] <sup>(1)</sup> valid before mmc <sub>x</sub> _clk rising clock edge		3.3	21.9	ns
SD8	$t_h(CLKIH-DATxIV)$	Hold time, mmc <sub>x</sub> _dat[n:0] <sup>(1)</sup> valid after mmc <sub>x</sub> _clk rising clock edge		18.1	36.7	ns

(1) In mmc<sub>x</sub>\_dat[n:0], n is equal to 3 for MMC2 and 7 for MMC3.

(2) See Section 4.3.4, Processor Clocks.

(3) In mmc<sub>x</sub>, x is equal to 2 or 3.

**Table 6-132. MMC2 and MMC3 Interfaces Switching Characteristics—Standard SDIO Mode<sup>(6)(7)</sup>**

NO.	PARAMETER	OPP100		OPP50		UNIT
		MIN	MAX	MIN	MAX	
<b>Standard SDIO Mode</b>						
SD1	$t_c(\text{clk})$	Frequency <sup>(1)</sup> , output clock period		24	12	MHz
SD2	$t_W(\text{clkH})$	Typical pulse duration, output clock high		X <sup>(4)</sup> * PO <sup>(2)</sup>	X <sup>(4)</sup> * PO <sup>(2)</sup>	ns
SD2	$t_W(\text{clkL})$	Typical pulse duration, output clock low		Y <sup>(5)</sup> * PO <sup>(2)</sup>	Y <sup>(5)</sup> * PO <sup>(2)</sup>	ns
	$t_{dc}(\text{clk})$	Duty cycle error, output clock		2083.33	4166.67	ps

**Table 6-132. MMC2 and MMC3 Interfaces Switching Characteristics—Standard SDIO Mode<sup>(6)(7)</sup> (continued)**

NO.	PARAMETER		OPP100		OPP50		UNIT
			MIN	MAX	MIN	MAX	
	$t_{J(\text{clk})}$	Jitter standard deviation <sup>(3)</sup> , output clock		200		200	ps
	$t_{R(\text{clk})}$	Rise time, output clock		10		10	ns
	$t_{F(\text{clk})}$	Fall time, output clock		10		10	ns
	$t_{R(\text{data})}$	Rise time, output data		10		10	ns
	$t_{F(\text{data})}$	Fall time, output data		10		10	ns
SD5	$t_{d(\text{CLKOH-CMD})}$	Delay time, mmc_x_clk rising clock edge to mmc_x_cmd transition	6.13	35.53	6.3	77.03	ns
SD6	$t_{d(\text{CLKOH-DATx})}$	Delay time, mmc_x_clk rising clock edge to mmc_x_dat[n:0] <sup>(6)</sup> transition	6.13	35.53	6.3	77.03	ns

- (1) Related to the output mmc\_x\_clk maximum and minimum frequency.
- (2) P = output mmc\_x\_clk period in ns
- (3) The jitter probability density can be approximated by a Gaussian function.
- (4) The X parameter is defined as follows:

CLKD	X
1 or Even	0.5
Odd	$(\text{trunk}[\text{CLKD}/2]+1)/\text{CLKD}$

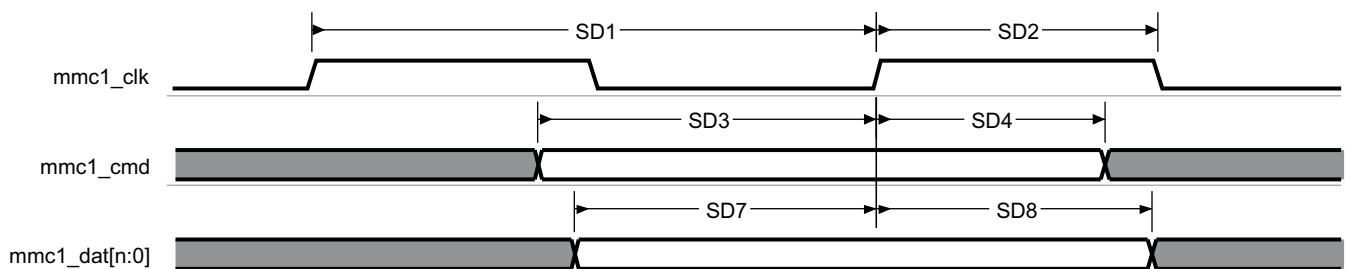
All required details about clock division factor CLKD can be found in the *AM/DM37x Multimedia Device Technical Reference Manual* (literature number [SPRUGN4](#)).

- (5) The Y parameter is defined as follows:

CLKD	Y
1 or Even	0.5
Odd	$(\text{trunk}[\text{CLKD}/2])/\text{CLKD}$

All required details about clock division factor CLKD can be found in the *AM/DM37x Multimedia Device Technical Reference Manual* (literature number [SPRUGN4](#)).

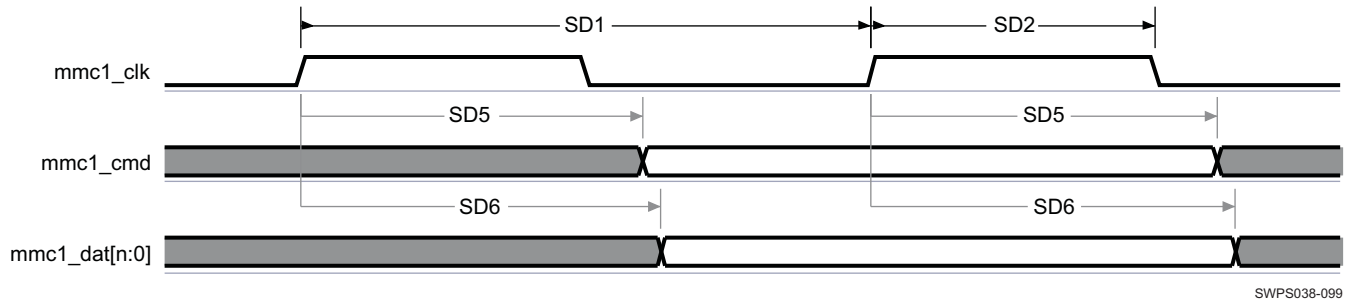
- (6) In mmc\_x, x is equal to 2 or 3. In mmc\_x\_dat[n :0] is equal to 3 for mmc2 and 7 for mmc3.
- (7) See [Section 4.3.4, Processor Clocks](#).



SWPS038-098

**Figure 6-75. MMC2 and MMC3 Interfaces—Standard SDIO Mode—Data/Command Receive<sup>(1)</sup>**

- (1) In mmc\_x, x is equal to 2 or 3. In mmc\_x\_dat[n:0] is equal to 3 for MMC2 and 7 for MMC3.



SWPS038-099

**Figure 6-76. MMC2 and MMC3 Interfaces—Standard SDIO Mode—Data/Command Transmit<sup>(1)</sup>**

(1) In mmc<sub>x</sub>, x is equal to 2 or 3. In mmc<sub>x</sub>\_dat[n:0] is equal to 3 for MMC2 and 7 for MMC3.

### 6.6.8.1.9 MMC2 and MMC3 Interfaces—Embedded Media Interface (eMMC)—High-Speed JC64 Mode

Table 6-134 and Table 6-135 assume testing over the recommended operating conditions and electrical characteristic conditions below (see Figure 6-77 through Figure 6-78).

**Table 6-133. MMC2 and MMC3 Interfaces Timing Conditions—High-Speed JC64 Mode**

TIMING CONDITION PARAMETER		VALUE		UNIT
		MIN	MAX	
<b>Input Conditions</b>				
$t_R$	Input signal rise time	0.38	3.82	ns
$t_F$	Input signal fall time	0.39	3.68	ns
<b>Output Condition</b>				
$C_{LOAD}$	Output load capacitance <sup>(1)</sup>	14		pF

(1) Buffer strength configuration for MMC3: LB0 = 1.

**Table 6-134. MMC2 and MMC3 Interfaces Timing Requirements—High-Speed JC64 Mode<sup>(1)</sup>**

NO.	PARAMETER		OPP100		OPP50		UNIT
			MIN	MAX	MIN	MAX	
MMC3	$t_{su(cmdV-clkH)}$	Setup time, input command mmc <sub>x</sub> _cmd valid before output clock mmc <sub>x</sub> _clk rising edge	5.1		25.5		ns
MMC4	$t_{h(clkH-cmdIV)}$	Hold time, input command mmc <sub>x</sub> _cmd valid after output clock mmc <sub>x</sub> _clk rising edge	1.3		0.9		ns
MMC7	$t_{su(dV-clkH)}$	Setup time, input data mmc <sub>x</sub> _dat[n:0] valid before output clock mmc <sub>x</sub> _clk rising edge	5.1		25.5		ns
MMC8	$t_{h(clkH-dIV)}$	Hold time, input data mmc <sub>x</sub> _dat[n:0] valid after output clock mmc <sub>x</sub> _clk rising edge	1.3		0.9		ns

(1) In mmc<sub>x</sub>\_dat[n:0], x is equal to 2 or 3 and n is equal to 7.

(2) In mmc<sub>x</sub>\_cmd, x is equal to 2 or 3.

(3) In mmc<sub>x</sub>\_clk, x is equal to 2 or 3.

**Table 6-135. MMC2 and MMC3 Interfaces Switching Characteristics—High-Speed JC64 Mode<sup>(5) (6)(7)</sup>**

NO.	PARAMETER		OPP100		OPP50		UNIT
			MIN	MAX	MIN	MAX	
MMC1	$1/t_c(\text{clk})$	Frequency <sup>(1)</sup> , output mmc <sub>x</sub> _clk period		48		24	MHz
MMC2	$t_W(\text{clkH})$	Typical pulse duration, output mmc <sub>x</sub> _clk high	0.5*P <sup>(2)</sup>		0.5*P <sup>(2)</sup>		ns
MMC2	$t_W(\text{clkL})$	Typical pulse duration, output mmc <sub>x</sub> _clk low	0.5*P <sup>(2)</sup>		0.5*P <sup>(2)</sup>		ns
	$t_{dc}(\text{clk})$	Duty cycle error, output mmc <sub>x</sub> _clk	-1042	1042	-2083	2083	ps
	$t_J(\text{clk})$	Jitter standard deviation <sup>(3)</sup> , output mmc <sub>x</sub> _clk	-65	65	-65	65	ps
	$t_R(\text{clk})$	Rising time, output mmc <sub>x</sub> _clk		2263		2263	ps
	$t_F(\text{clk})$	Falling time, output mmc <sub>x</sub> _clk		2136		2136	ps

**Table 6-135. MMC2 and MMC3 Interfaces Switching Characteristics—High-Speed JC64 Mode<sup>(5)</sup>**  
**(6)(7) (continued)**

NO.	PARAMETER		OPP100		OPP50		UNIT
			MIN	MAX	MIN	MAX	
MMC5	$t_{d(\text{clkL-dov})}$	Delay time, mmc <sub>x</sub> _clk rising clock edge to mmc <sub>x</sub> _cmd transition	3.6	16.8	4	37.2	ns
	$t_{R(\text{do})}$	Rising time, output mmc <sub>x</sub> _cmd		2263		2263	ps
	$t_{F(\text{do})}$	Falling time, output mmc <sub>x</sub> _cmd		2136		2136	ps
MMC6	$t_{d(\text{clkL-dov})}$	Delay time, mmc <sub>x</sub> _clk rising clock edge to mmc <sub>x</sub> _dat <sub>y</sub> transition	3.6	16.8	4	37.2	ns
	$t_{R(\text{do})}$	Rising time, output mmc <sub>x</sub> _dat[n:0] <sup>(4)</sup>		2263		2263	ps
	$t_{F(\text{do})}$	Falling time, output mmc <sub>x</sub> _dat[n:0] <sup>(4)</sup>		2136		2136	ps

(1) Related with the output clock maximum and minimum frequencies programmable in MMC module.

(2) PO = output clock period in ns

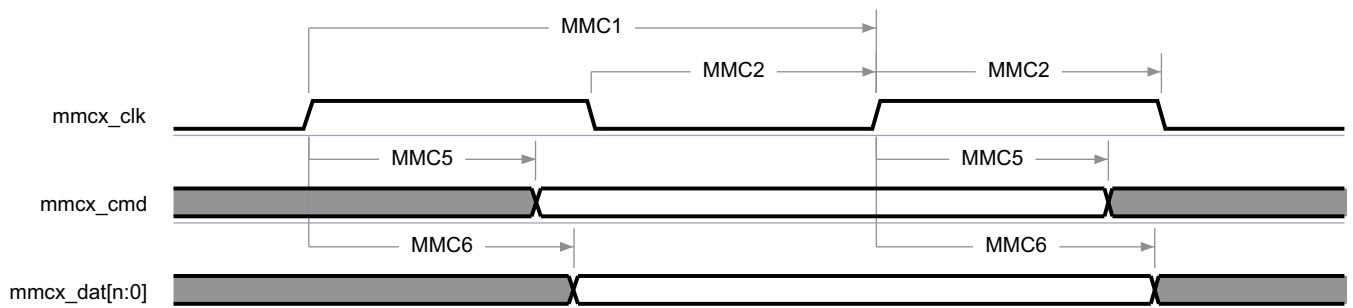
(3) The jitter probability density can be approximated by a Gaussian function.

(4) In mmc<sub>x</sub>\_dat[n:0], x is equal to 2 or 3 and n is equal to 7.

(5) See Section 4.3.4, Processor Clocks.

(6) In mmc<sub>x</sub>\_cmd, x is equal to 2 or 3.

(7) In mmc<sub>x</sub>\_clk, x is equal to 2 or 3.



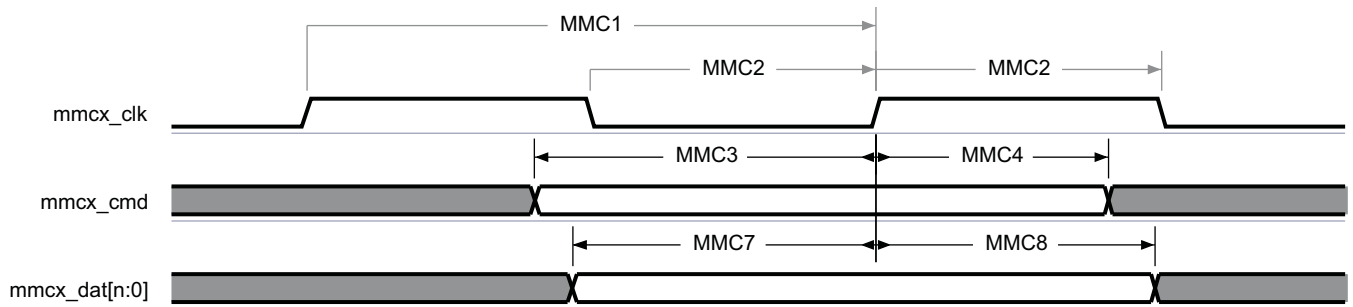
SWPS038-104

**Figure 6-77. MMC2 and MMC3 Interfaces—High-Speed JC64 Transmitter Mode<sup>(1)(2)(3)</sup>**

(1) In mmc<sub>x</sub>\_dat[n:0], x is equal to 2 or 3 and n is equal to 7.

(2) In mmc<sub>x</sub>\_cmd, x is equal to 2 or 3.

(3) In mmc<sub>x</sub>\_clk, x is equal to 2 or 3.



SWPS038-105

**Figure 6-78. MMC2 and MMC3 Interfaces—High-Speed JC64 Receiver Mode<sup>(1)(2)(3)</sup>**

(1) In mmc<sub>x</sub>\_dat[n:0], x is equal to 2 or 3 and n is equal to 7.

(2) In mmc<sub>x</sub>\_cmd, x is equal to 2 or 3.

(3) In mmc<sub>x</sub>\_clk, x is equal to 2 or 3.

## 6.6.9 Test Interfaces

### 6.6.9.1 Embedded Trace Macro Interface (ETM)

Table 6-137 assumes testing over the recommended operating conditions and electrical characteristic conditions below (see Figure 6-79).

**Table 6-136. ETM Timing Conditions—Transmit Mode**

TIMING CONDITION PARAMETER		VALUE		UNIT
		MIN	MAX	
<b>Output Condition</b>				
$C_{LOAD}$	Output load capacitance <sup>(1)</sup>		10	pF

(1) Buffer strength configuration: LB0 = 1.

**Table 6-137. ETM Switching Characteristics—Transmit Mode<sup>(4)</sup>**

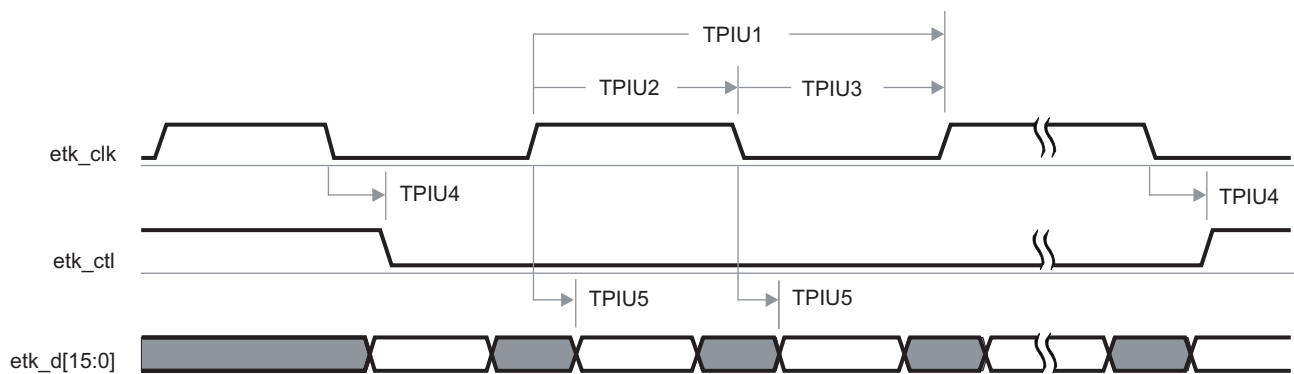
NO.	PARAMETER	OPP100		OPP50		UNIT
		MIN	MAX	MIN	MAX	
TPIU1	$1 / t_{c(\text{clk})}$ Frequency <sup>(3)</sup> , output clock etk_clk		166		166	MHz
TPIU2	$t_{w(\text{clkH})}$ Pulse duration, output clock etk_clk high	0.5P <sup>(1)</sup>		0.5P <sup>(1)</sup>		ns
TPIU3	$t_{w(\text{clkL})}$ Pulse duration, output clock etk_clk low	0.5P <sup>(1)</sup>		0.5P <sup>(1)</sup>		ns
	$t_{dc(\text{clk})}$ Duty cycle error, output clock etk_clk	-301	301	-301	301	ps
	$t_{j(\text{clk})}$ Jitter standard deviation <sup>(2)</sup> , output clock etk_clk		65		65	ps
	$t_{R(\text{clk})}$ Rise time, output clock etk_clk		1.2		1.2	ns
	$t_{F(\text{clk})}$ Fall time, output clock etk_clk		1.2		1.2	ns
TPIU4	$t_{d(\text{clk-ctl})}$ Delay time, output clock etk_clk low/high to output control etk_ctl transition		0.839		0.839	ns
TPIU5	$t_{d(\text{clkH-d})}$ Delay time, output clock etk_clk low/high to output data etk_d[15:0] transition		0.839		0.839	ns
	$t_{R(d/\text{ctl})}$ Rise time, output data etk_d[15:0] and output control etk_ctl		1.2		1.2	ns
	$t_{F(d/\text{ctl})}$ Fall time, output data etk_d[15:0] and output control etk_ctl		1.2		1.2	ns

(1) P = etk\_clk period in ns

(2) The jitter probability density can be approximated by a Gaussian function.

(3) Related with the etm\_clk maximum frequency.

(4) See Section 4.3.4, Processor Clocks.



SWPS038-106

**Figure 6-79. ETM—Transmit Mode**



### 6.6.9.2 System Debug Trace Interface (SDTI)

The System Debug Trace Interface (SDTI) module provides real-time software tracing functionality to the device. The trace interface has four trace data pins and a trace clock pin.

This interface is a dual-edge interface:

- The data are available on rising and falling edge of sdti\_clk.
- But can be also configured in single-edge mode where data are available on the falling edge of sdti\_clk.

Serial interface operates in clock stop regime: serial clock is not free-running; when there is no trace data, there is no trace clock.

#### 6.6.9.2.1 SDTI—Dual-Edge Mode

Table 6-139 assumes testing over the recommended operating conditions and electrical characteristic conditions below (see Figure 6-80).

**Table 6-138. SDTI Timing Conditions—Dual-Edge Mode**

TIMING CONDITION PARAMETER		VALUE	UNIT
<b>Output Condition</b>			
C <sub>LOAD</sub>	Output load capacitance <sup>(1)</sup>	25	pF

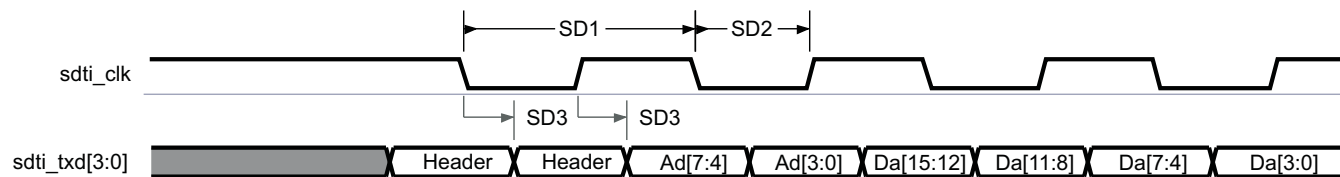
(1) Buffer strength configuration: LB0 = 1.

**Table 6-139. SDTI Switching Characteristics—Dual-Edge Mode<sup>(2)</sup>**

NO.	PARAMETER		OPP100		OPP50		UNIT	
			MIN	MAX	MIN	MAX		
SD1	1 / t <sub>c(clk)</sub>	Frequency, output clock sdti_clk		34.5		34.5	MHz	
SD2	t <sub>w(clk)</sub>	Pulse duration, output clock sdti_clk high or low	0.5P <sup>(1)</sup> – 1.2	0.5P <sup>(1)</sup> + 1.2	0.5P <sup>(1)</sup> – 1.2	0.5P <sup>(1)</sup> + 1.2	ns	
SD3	t <sub>d(clk-txd)</sub>	Delay time, output clock sdti_clk transition to output data sdti_txd[3:0] transition	Multiplexing mode on etk pins	2.3	10.9	2.3	10.9	ns
			Multiplexing mode on jtag_emu pins	2.3	13.9	2.3	13.9	

(1) P = sdti\_clk clock period in ns

(2) See Section 4.3.4, Processor Clocks.



SWPS038-107

**Figure 6-80. SDTI—Dual-Edge Mode**

### 6.6.9.2.2 SDTI—Single-Edge Mode

Table 6-141 assumes testing over the recommended operating conditions and electrical characteristic conditions below (see Figure 6-81).

**Table 6-140. SDTI Timing Conditions—Single-Edge Mode**

TIMING CONDITION PARAMETER		VALUE	UNIT
<b>Output Condition</b>			
$C_{LOAD}$	Output load capacitance <sup>(1)</sup>	25	pF

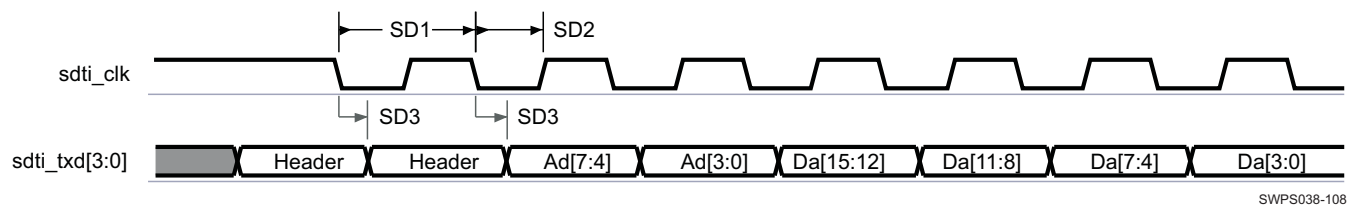
(1) Buffer strength configuration: LB0 = 1.

**Table 6-141. SDTI Switching Characteristics—Single-Edge Mode<sup>(2)</sup>**

NO.	PARAMETER		OPP100		OPP50		UNIT	
			MIN	MAX	MIN	MAX		
SD1	$1 / t_{c(\text{clk})}$	Frequency, output clock sdti_clk		34.5		34.5	MHz	
SD2	$t_{w(\text{clk})}$	Pulse duration, output clock sdti_clk high or low	$0.5P^{(1)} - 1.2$	$0.5P^{(1)} + 1.2$	$0.5P^{(1)} - 1.2$	$0.5P^{(1)} + 1.2$	ns	
SD3	$t_{d(\text{clk-txd})}$	Delay time, output clock sdti_clk transition to output data sdti_txd[3:0] transition	Multiplexing mode on etk pins	2.3	26.5	2.3	26.5	ns
			Multiplexing mode on jtag_emu pins	2.3	33.2	2.3	33.2	

(1) P = sdti\_clk clock period in ns

(2) See Section 4.3.4, Processor Clocks.



**Figure 6-81. SDTI—Single-Edge Mode**

### 6.6.9.3 JTAG Interface (JTAG)

The JTAG TAP controller handles standard IEEE JTAG interfaces. The following section defines the timing requirements for several tools used to test the device as:

- Free-running clock tool, like XDS560 and XDS510 tools
- Adaptive clock tool, like RealView® ICE tool and Lauterbach™ tool

#### 6.6.9.3.1 JTAG—Free-Running Clock Mode

Table 6-143 and Table 6-144 assume testing over the recommended operating conditions and electrical characteristic conditions below (see Figure 6-82).

**Table 6-142. JTAG Timing Conditions—Free-Running Clock Mode**

TIMING CONDITION PARAMETER		VALUE	UNIT
<b>Input Conditions</b>			
$t_R$	Input signal rise time	5	ns
$t_F$	Input signal fall time	5	ns
<b>Output Condition</b>			
$C_{LOAD}$	Output load capacitance	30	pF

**Table 6-143. JTAG Timing Requirements—Free-Running Clock Mode<sup>(5) (6)</sup>**

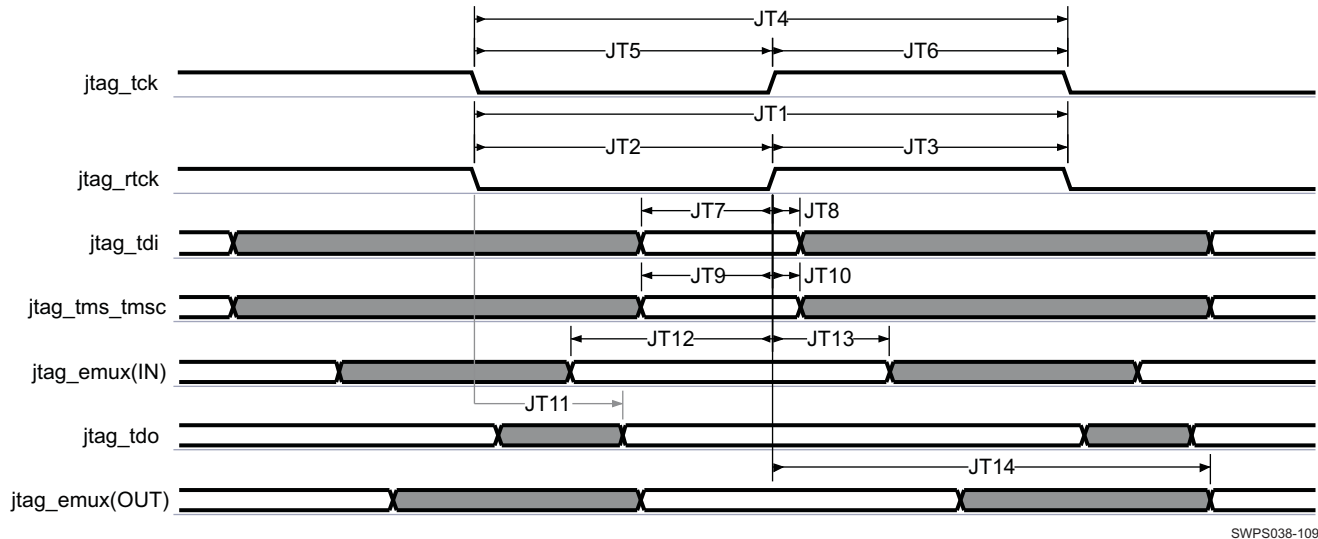
NO.	PARAMETER		OPP100		OPP50		UNIT
			MIN	MAX	MIN	MAX	
JT4	$1 / t_c(tck)$	Frequency <sup>(1)</sup> , input clock jtag_tck		50		50	MHz
JT5	$t_w(tckL)$	Pulse duration, input clock jtag_tck low	0.5P <sup>(2)</sup>		0.5P <sup>(2)</sup>		ns
JT6	$t_w(tckH)$	Pulse duration, input clock jtag_tck high	0.5P <sup>(2)</sup>		0.5P <sup>(2)</sup>		ns
	$t_{dc}(tck)$	Duty cycle error, input clock jtag_tck	-1250	1250	-1667	1667	ps
	$t_J(tck)$	Cycle jitter <sup>(3)</sup> , input clock jtag_tck	-1250	1250	-1667	1667	ps
JT7	$t_{su}(tdiV-rtckH)$	Setup time, input data jtag_tdi valid before output clock jtag_rtck high	1.6		1.6		ns
JT8	$t_h(tdiV-rtckH)$	Hold time, input data jtag_tdi valid after output clock jtag_rtck high	0.7		1.0		ns
JT9	$t_{su}(tmsV-rtckH)$	Setup time, input mode select jtag_tms_tmsc valid before output clock jtag_rtck high	1.6		1.6		ns
JT10	$t_h(tmsV-rtckH)$	Hold time, input mode select jtag_tms_tmsc valid after output clock jtag_rtck high	0.7		1.0		ns
JT12	$t_{su}(emuxV-rtckH)$	Setup time, input emulation jtag_emux <sup>(4)</sup> valid before output clock jtag_rtck high	14.4		19.6		ns
JT13	$t_h(emuxV-rtckH)$	Hold time, input emulation jtag_emux <sup>(4)</sup> valid after output clock jtag_rtck high	2.0		2.7		ns

- (1) Related with the input maximum frequency supported by the JTAG module.  
(2) P = input clock jtag\_tck period in ns  
(3) Maximum cycle jitter supported by input clock jtag\_tck.  
(4) In jtag\_emux, x is equal to 0 or 1.  
(5) The timing requirements are assured for the cycle jitter and duty cycle error conditions specified.  
(6) See [Section 4.3.4, Processor Clocks](#).

**Table 6-144. JTAG Switching Characteristics—Free-Running Clock Mode<sup>(5)</sup>**

NO.	PARAMETER		OPP100		OPP50		UNIT
			MIN	MAX	MIN	MAX	
JT1	$1 / t_c(rtck)$	Frequency <sup>(1)</sup> , output clock jtag_rtck		50		50	MHz
JT2	$t_w(rtckL)$	Pulse duration, output clock jtag_rtck low	0.5P <sup>(2)</sup>		0.5P <sup>(2)</sup>		ns
JT3	$t_w(rtckH)$	Pulse duration, output clock jtag_rtck high	0.5P <sup>(2)</sup>		0.5P <sup>(2)</sup>		ns
	$t_{dc}(rtck)$	Duty cycle error, output clock jtag_rtck	-1250	1250	-1667	1667	ps
	$t_J(rtck)$	Jitter standard deviation <sup>(3)</sup> , output clock jtag_rtck		33.3		33.3	ps
	$t_R(rtck)$	Rise time, output clock jtag_rtck		0		0	ns
	$t_F(rtck)$	Fall time, output clock jtag_rtck		0		0	ns
JT11	$t_d(rtckL-tdoV)$	Delay time, output clock jtag_rtck low to output data jtag_tdo valid	-5.8	5.8	-7.9	7.9	ns
	$t_R(tdo)$	Rise time, output data jtag_tdo		0		0	ns
	$t_F(tdo)$	Fall time, output data jtag_tdo		0		0	ns
JT14	$t_d(rtckH-emuxV)$	Delay time, output clock jtag_rtck high to output emulation jtag_emux <sup>(4)</sup> valid	2.7	15.1	2.7	20.4	ns

- (1) Related with the jtag\_rtck maximum frequency.  
(2) P = output clock jtag\_rtck period in ns  
(3) The jitter probability density can be approximated by a Gaussian function.  
(4) In jtag\_emux, x is equal to 0 or 1.  
(5) See [Section 4.3.4, Processor Clocks](#).



SWPS038-109

(1) In jtag\_emux, x is equal to 0 or 1.

**Figure 6-82. JTAG—Free-Running Clock Mode**

### 6.6.9.3.2 JTAG—Adaptative Clock Mode

Table 6-146 and Table 6-147 assume testing over the recommended operating conditions and electrical characteristic conditions below (see Figure 6-83).

**Table 6-145. JTAG Timing Conditions—Adaptative Clock Mode**

TIMING CONDITION PARAMETER		VALUE	UNIT
<b>Input Conditions</b>			
$t_R$	Input signal rise time	5	ns
$t_F$	Input signal fall time	5	ns
<b>Output Condition</b>			
$C_{LOAD}$	Output load capacitance	30	pF

**Table 6-146. JTAG Timing Requirements—Adaptative Clock Mode<sup>(4) (5)</sup>**

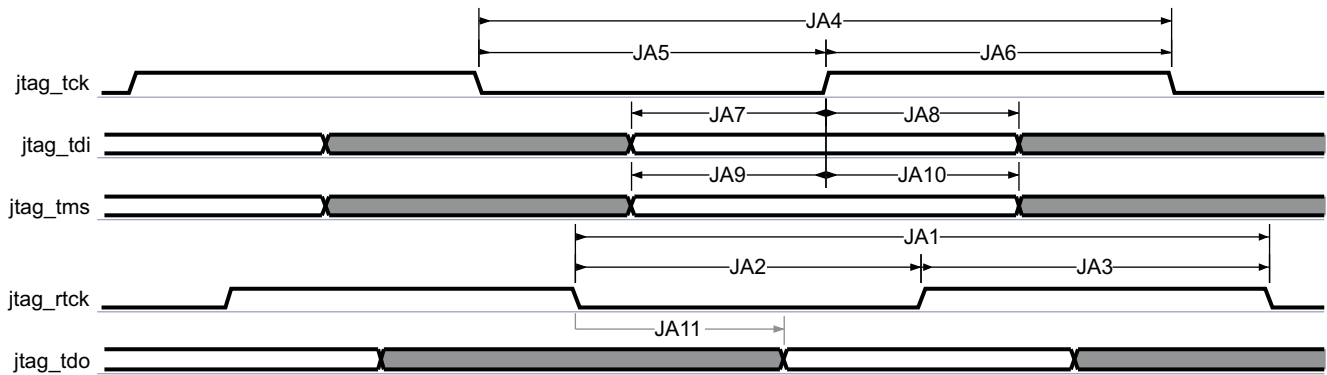
NO.	PARAMETER		OPP100		OPP50		UNIT
			MIN	MAX	MIN	MAX	
JA4	$1 / t_c(tck)$	Frequency <sup>(1)</sup> , input clock jtag_tck		50		50	MHz
JA5	$t_w(tckL)$	Pulse duration, input clock jtag_tck low	0.5P <sup>(2)</sup>		0.5P <sup>(2)</sup>		ns
JA6	$t_w(tckH)$	Pulse duration, input clock jtag_tck high	0.5P <sup>(2)</sup>		0.5P <sup>(2)</sup>		ns
	$t_{dc}(lclk)$	Duty cycle error, input clock jtag_tck	-2500	2500	-2500	2500	ps
	$t_J(lclk)$	Cycle jitter <sup>(3)</sup> , input clock jtag_tck	-1500	1500	-1500	1500	ps
JA7	$t_{su}(tdiV-tckH)$	Setup time, input data jtag_tdi valid before input clock jtag_tck high	13.8		13.8		ns
JA8	$t_h(tdiV-tckH)$	Hold time, input data jtag_tdi valid after input clock jtag_tck high	13.8		13.8		ns
JA9	$t_{su}(tmsV-tckH)$	Setup time, input mode select jtag_tms_tmsc valid before input clock jtag_tck high	13.8		13.8		ns
JA10	$t_h(tmsV-tckH)$	Hold time, input mode select jtag_tms_tmsc valid after input clock jtag_tck high	13.8		13.8		ns

- (1) Related with the input maximum frequency supported by the JTAG module
- (2) P = input clock jtag \_tck period in ns
- (3) Maximum cycle jitter supported by input clock jtag \_tck.
- (4) The timing requirements are assured for the cycle jitter and duty cycle error conditions specified.
- (5) See [Section 4.3.4, Processor Clocks](#).

**Table 6-147. JTAG Switching Characteristics—Adaptative Clock Mode<sup>(4)</sup>**

NO.	PARAMETER		OPP100		OPP50		UNIT
			MIN	MAX	MIN	MAX	
JA1	$1 / t_{c(rtck)}$	Frequency <sup>(1)</sup> , output clock jtag_rtck		50		50	MHz
JA2	$t_{w(rtckL)}$	Pulse duration, output clock jtag_rtck low	0.5P <sup>(2)</sup>		0.5P <sup>(2)</sup>		ns
JA3	$t_{w(rtckH)}$	Pulse duration, output clock jtag_rtck high	0.5P <sup>(2)</sup>		0.5P <sup>(2)</sup>		ns
	$t_{dc(rtck)}$	Duty cycle error, output clock jtag_rtck	-2500	2500	-2500	2500	ps
	$t_{J(rtck)}$	Jitter standard deviation <sup>(3)</sup> , output clock jtag_rtck		33.3		33.3	ps
	$t_{R(rtck)}$	Rise time, output clock jtag_rtck		0		0	ns
	$t_{F(rtck)}$	Fall time, output clock jtag_rtck		0		0	ns
JA11	$t_{d(rtckL-tdoV)}$	Delay time, output clock jtag_rtck low to output data jtag_tdo valid	-14.6	14.6	-14.6	14.6	ns

- (1) Related to the jtag \_rtck maximum frequency programmable.
- (2) P = output clock jtag \_rtck period in ns
- (3) The jitter probability density can be approximated by a Gaussian function.
- (4) See [Section 4.3.4, Processor Clocks](#).



SWPS038-110

**Figure 6-83. JTAG—Adaptative Clock Mode**

## 7 Package Characteristics

### 7.1 Package Thermal Characteristics

Table 7-1 and Table 7-2 provide the thermal resistance characteristics for the packages used on this device.

Note: This table provides simulation data and may not represent actual use-case values.

**Table 7-1. Thermal Resistance Characteristics 800MHz ARM Operation-4Gb DDR + Flash**

PACKAGE	Power (W) <sup>(5)</sup>	$\theta_{JA}$ (°C/W) <sup>(2)</sup>	$\theta_{JB}$ (°C/W) <sup>(3)</sup>	$\theta_{JC}$ (°C/W) <sup>(4)</sup>	BOARD TYPE
CBP Package	1.42	20.06	6.44	(6)	2S2P <sup>(1)</sup>
CBC Package	1.42	19.97	7.76	(6)	2S2P <sup>(1)</sup>
CUS Package	1.05	24.75	11.06	7.06	2S2P <sup>(1)</sup>

- (1) The board types are defined by JEDEC (reference JEDEC standard JESD51-9, Test Board for Array Surface Mount Package Thermal Measurements).
- (2)  $\theta_{JA}$  (Theta-JA) = Thermal Resistance Junction-to-Ambient, °C/W
- (3)  $\theta_{JB}$  (Theta-JB) = Thermal Resistance Junction-to-Board, °C/W
- (4)  $\theta_{JC}$  (Theta-JC) = Thermal Resistance Junction-to-Board, °C/W
- (5) These power numbers are based on simulation results for DM37x. Power numbers for CBP and CBC packages include the DM37x device and POP memory. CUS package is DM37x only.
- (6) Not applicable since these packages have memory package mounted on top.

**Table 7-2. Thermal Resistance Characteristics 1GHz ARM Operation-8Gb DDR**

PACKAGE	Power (W) <sup>(5)</sup>	$\theta_{JA}$ (°C/W) <sup>(2)</sup>	$\theta_{JB}$ (°C/W) <sup>(3)</sup>	$\theta_{JC}$ (°C/W) <sup>(4)</sup>	BOARD TYPE
CBP Package	2.06	19.51	6.19	(6)	2S2P <sup>(1)</sup>
CBC Package	2.06	20.11	8.01	(6)	2S2P <sup>(1)</sup>
CUS Package	1.4	24.75	11.06	7.06	2S2P <sup>(1)</sup>

- (1) The board types are defined by JEDEC (reference JEDEC standard JESD51-9, Test Board for Array Surface Mount Package Thermal Measurements).
- (2)  $\theta_{JA}$  (Theta-JA) = Thermal Resistance Junction-to-Ambient, °C/W
- (3)  $\theta_{JB}$  (Theta-JB) = Thermal Resistance Junction-to-Board, °C/W
- (4)  $\theta_{JC}$  (Theta-JC) = Thermal Resistance Junction-to-Board, °C/W
- (5) These power numbers are based on simulation results for DM37x. Power numbers for CBP and CBC packages include the DM37x device and POP memory. CUS package is DM37x only.
- (6) Not applicable since these packages have memory package mounted on top.

### 7.2 Device Support

#### 7.2.1 Device and Development-Support Tool Nomenclature

To designate the stages in the product development cycle, TI assigns prefixes to the part numbers of all DM37x processors and support tools. Each device has one of three prefixes: X, P, or null (no prefix). Texas Instruments recommends two of three possible prefix designators for its support tools: TMDX and TMDS. These prefixes represent evolutionary stages of product development from engineering prototypes (TMDX) through fully qualified production devices/tools (TMDS).

Device development evolutionary flow:

- X** Experimental device that is not necessarily representative of the final devices electrical specifications and may not use production assembly flow. (TMX definition)
- P** Prototype device that is not necessarily the final silicon die and may not necessarily meet final electrical specifications. (TMP definition)
- null** Production version of the silicon die that is fully qualified. (TMS definition)

Support tool development evolutionary flow:

**TMDX** Development support product that has not yet completed Texas Instruments internal qualification testing.

**TMDS** Fully qualified development support product.

TMX and TMP devices and TMDX development-support tools are shipped against the following disclaimer:

Developmental product is intended for internal evaluation purposes.

Production devices and TMDS development-support tools have been characterized fully, and the quality and reliability of the device have been demonstrated fully. TIs standard warranty applies.

Predictions show that prototype devices (X or P), have a greater failure rate than the standard production devices. Texas Instruments recommends that these devices not be used in any production system because their expected end-use failure rate still is undefined. Only qualified production devices are to be used.

For additional description of the device nomenclature markings, see the *Processor Silicon Errata*.

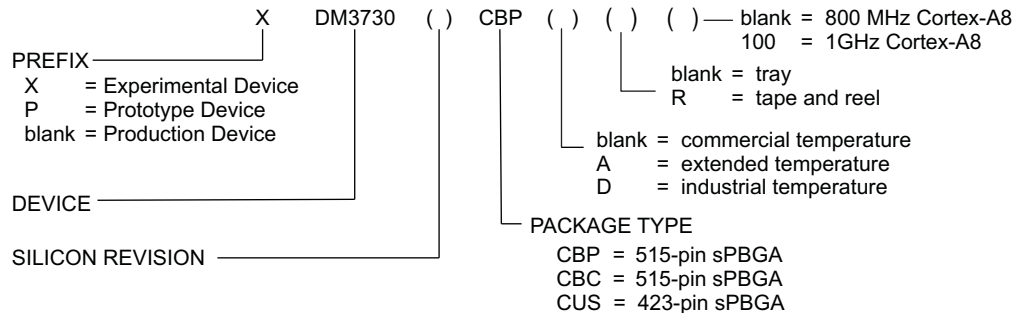


Figure 7-1. Device Nomenclature

## 7.2.2 Documentation Support

### 7.2.2.1 Related Documentation from Texas Instruments

The following documents describe the DM3730/25 Digital Media Processor. Copies of these documents are available on the Internet at [www.ti.com](http://www.ti.com). Tip: Enter the literature number in the search box provided at [www.ti.com](http://www.ti.com).

The current documentation that describes the DM3730/25 Digital Media Processor, related peripherals, and other technical collateral, is available in the product folder at: [www.ti.com](http://www.ti.com).

**SPRUGN4** . Collection of documents providing detailed information on the Sitara™ architecture including power, reset, and clock control, interrupts, memory map, and switch fabric interconnect. Detailed information on the microprocessor unit (MPU) subsystem as well a functional description of the peripherals supported on DM3730/25 devices is also included.

#### 7.2.2.1.1 Community Resources

The following links connect to TI community resources. Linked contents are provided "AS IS" by the respective contributors. They do not constitute TI specifications and do not necessarily reflect TI's views; see TI's [Terms of Use](#).

**TI E2E Community** *TI's Engineer-to-Engineer (E2E) Community*. Created to foster collaboration among engineers. At [e2e.ti.com](http://e2e.ti.com), you can ask questions, share knowledge, explore ideas and help solve problems with fellow engineers.

[TI Embedded Processors Wiki](#) *Texas Instruments Embedded Processors Wiki*. Established to help developers get started with Embedded Processors from Texas Instruments and to foster innovation and growth of general knowledge about the hardware and software surrounding these devices.

### 7.2.2.2 Related Documentation from Other Sources

The following documents are related to the DM3730, DM3725 Digital Media Processors. Copies of these documents can be obtained directly from the internet or from your Texas Instruments representative.

**Cortex-A8 Technical Reference Manual.** This is the technical reference manual for the Cortex-A8 processor. A copy of this document can be obtained via the internet at <http://infocenter.arm.com>. Please see the *DM3730, DM3725 Digital Media Processors Silicon Errata* (literature number [SPRZ319](#)) to determine the revision of the Cortex-A8 core used on your device.

**ARM Core Cortex<sup>TM</sup>-A8 (AT400/AT401) Errata Notice.** Provides a list of advisories for the different revisions of the Cortex-A8 processor. Contact your TI representative for a copy of this document. Please see the *DM3730, DM3725 Digital Media Processors Silicon Errata* (literature number [SPRZ319](#)) to determine the revision of the Cortex-A8 core used on your device.



## 7.3 Mechanical Data

**PACKAGING INFORMATION**

Orderable Device	Status (1)	Package Type	Package Drawing	Pins	Package Qty	Eco Plan (2)	Lead finish/ Ball material (6)	MSL Peak Temp (3)	Op Temp (°C)	Device Marking (4/5)	Samples
DM3725CBC	ACTIVE	POP-FCBGA	CBC	515	119	RoHS & Green	Call TI	Level-3-260C-168 HR	0 to 90	DM3725CBC	<a href="#">Samples</a>
DM3725CBC100	ACTIVE	POP-FCBGA	CBC	515	119	RoHS & Green	Call TI	Level-3-260C-168 HR	0 to 90	DM3725CBC100	<a href="#">Samples</a>
DM3725CBCA	ACTIVE	POP-FCBGA	CBC	515	119	RoHS & Green	SNAGCU	Level-3-260C-168 HR	-40 to 105	DM3725CBCA	<a href="#">Samples</a>
DM3725CBP	ACTIVE	POP-FCBGA	CBP	515	168	RoHS & Green	Call TI	Level-3-260C-168 HR	0 to 90	DM3725CBP DM3725CBP-AS3	<a href="#">Samples</a>
DM3725CBP100	ACTIVE	POP-FCBGA	CBP	515	168	RoHS & Green	Call TI	Level-3-260C-168 HR	0 to 90	DM3725CBP100 DM3725CBP100-AS3	<a href="#">Samples</a>
DM3725CBPA	ACTIVE	POP-FCBGA	CBP	515	168	RoHS & Green	SNAGCU	Level-3-260C-168 HR	-40 to 105	DM3725CBPA	<a href="#">Samples</a>
DM3725CBPD100	ACTIVE	POP-FCBGA	CBP	515	168	RoHS & Green	Call TI	Level-3-260C-168 HR	-40 to 90	DM3725CBPD100 DM3725CBPD100-AS3	<a href="#">Samples</a>
DM3725CBPDR100	ACTIVE	POP-FCBGA	CBP	515	1000	RoHS & Green	Call TI	Level-3-260C-168 HR	-40 to 90	DM3725CBPD100	<a href="#">Samples</a>
DM3725CUS	ACTIVE	FCCSP	CUS	423	90	RoHS & Green	Call TI	Level-3-260C-168 HR	0 to 0	DM3725CUS	<a href="#">Samples</a>
DM3725CUS100	ACTIVE	FCCSP	CUS	423	90	RoHS & Green	Call TI	Level-3-260C-168 HR	0 to 0	DM3725CUS100	<a href="#">Samples</a>
DM3725CUSA	ACTIVE	FCCSP	CUS	423	90	RoHS & Green	CU OSP	Level-3-260C-168 HR	0 to 0	DM3725CUSA	<a href="#">Samples</a>
DM3725CUSD100	ACTIVE	FCCSP	CUS	423	90	RoHS & Green	Call TI	Level-3-260C-168 HR	0 to 0	DM3725CUSD100	<a href="#">Samples</a>
DM3730CBC	ACTIVE	POP-FCBGA	CBC	515	119	RoHS & Green	Call TI	Level-3-260C-168 HR	0 to 90	DM3730CBC	<a href="#">Samples</a>
DM3730CBC100	ACTIVE	POP-FCBGA	CBC	515	119	RoHS & Green	Call TI	Level-3-260C-168 HR	0 to 90	DM3730CBC100	<a href="#">Samples</a>
DM3730CBCA	ACTIVE	POP-FCBGA	CBC	515	119	RoHS & Green	SNAGCU	Level-3-260C-168 HR	-40 to 105	DM3730CBCA	<a href="#">Samples</a>
DM3730CBCD100	ACTIVE	POP-FCBGA	CBC	515	119	RoHS & Green	Call TI	Level-3-260C-168 HR	-40 to 90	DM3730CBCD100	<a href="#">Samples</a>
DM3730CBP	ACTIVE	POP-FCBGA	CBP	515	168	RoHS & Green	Call TI	Level-3-260C-168 HR	0 to 90	DM3730CBP DM3730CBP-AS3	<a href="#">Samples</a>
DM3730CBP100	ACTIVE	POP-FCBGA	CBP	515	168	RoHS & Green	Call TI	Level-3-260C-168 HR	0 to 90	DM3730CBP100 DM3730CBP100-AS3	<a href="#">Samples</a>
DM3730CBPA	ACTIVE	POP-FCBGA	CBP	515	168	RoHS & Green	SNAGCU	Level-3-260C-168 HR	-40 to 105	DM3730CBPA	<a href="#">Samples</a>

Orderable Device	Status (1)	Package Type	Package Drawing	Pins	Package Qty	Eco Plan (2)	Lead finish/ Ball material (6)	MSL Peak Temp (3)	Op Temp (°C)	Device Marking (4/5)	Samples
DM3730CBPD100	ACTIVE	POP-FCBGA	CBP	515	168	RoHS & Green	Call TI	Level-3-260C-168 HR	-40 to 90	DM3730CBPD100 DM3730CBPD100-AS3	<a href="#">Samples</a>
DM3730CUS	ACTIVE	FCCSP	CUS	423	90	RoHS & Green	Call TI	Level-3-260C-168 HR	0 to 90	DM3730CUS	<a href="#">Samples</a>
DM3730CUS100	ACTIVE	FCCSP	CUS	423	90	RoHS & Green	Call TI	Level-3-260C-168 HR	0 to 90	DM3730CUS100	<a href="#">Samples</a>
DM3730CUSA	ACTIVE	FCCSP	CUS	423	90	RoHS & Green	CU OSP	Level-3-260C-168 HR	-40 to 105	DM3730CUSA	<a href="#">Samples</a>
DM3730CUSD100	ACTIVE	FCCSP	CUS	423	90	RoHS & Green	Call TI	Level-3-260C-168 HR	-40 to 90	DM3730CUSD100	<a href="#">Samples</a>
VCBU3730GSCUS100	ACTIVE	FCCSP	CUS	423	90	RoHS & Green	Call TI	Level-3-260C-168 HR	0 to 90	DM3730CUS100	<a href="#">Samples</a>

(1) The marketing status values are defined as follows:

**ACTIVE:** Product device recommended for new designs.

**LIFEBUY:** TI has announced that the device will be discontinued, and a lifetime-buy period is in effect.

**NRND:** Not recommended for new designs. Device is in production to support existing customers, but TI does not recommend using this part in a new design.

**PREVIEW:** Device has been announced but is not in production. Samples may or may not be available.

**OBSELETE:** TI has discontinued the production of the device.

(2) **RoHS:** TI defines "RoHS" to mean semiconductor products that are compliant with the current EU RoHS requirements for all 10 RoHS substances, including the requirement that RoHS substance do not exceed 0.1% by weight in homogeneous materials. Where designed to be soldered at high temperatures, "RoHS" products are suitable for use in specified lead-free processes. TI may reference these types of products as "Pb-Free".

**RoHS Exempt:** TI defines "RoHS Exempt" to mean products that contain lead but are compliant with EU RoHS pursuant to a specific EU RoHS exemption.

**Green:** TI defines "Green" to mean the content of Chlorine (Cl) and Bromine (Br) based flame retardants meet JS709B low halogen requirements of <=1000ppm threshold. Antimony trioxide based flame retardants must also meet the <=1000ppm threshold requirement.

(3) MSL, Peak Temp. - The Moisture Sensitivity Level rating according to the JEDEC industry standard classifications, and peak solder temperature.

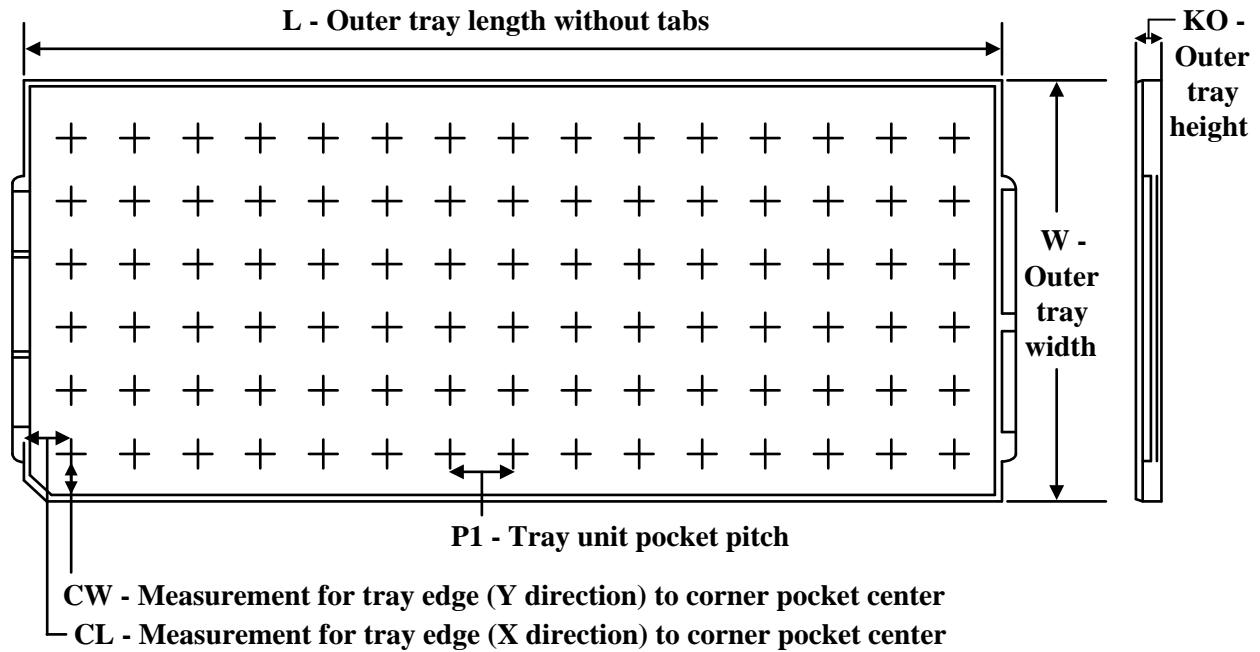
(4) There may be additional marking, which relates to the logo, the lot trace code information, or the environmental category on the device.

(5) Multiple Device Markings will be inside parentheses. Only one Device Marking contained in parentheses and separated by a "~" will appear on a device. If a line is indented then it is a continuation of the previous line and the two combined represent the entire Device Marking for that device.

(6) Lead finish/Ball material - Orderable Devices may have multiple material finish options. Finish options are separated by a vertical ruled line. Lead finish/Ball material values may wrap to two lines if the finish value exceeds the maximum column width.

**Important Information and Disclaimer:** The information provided on this page represents TI's knowledge and belief as of the date that it is provided. TI bases its knowledge and belief on information provided by third parties, and makes no representation or warranty as to the accuracy of such information. Efforts are underway to better integrate information from third parties. TI has taken and continues to take reasonable steps to provide representative and accurate information but may not have conducted destructive testing or chemical analysis on incoming materials and chemicals. TI and TI suppliers consider certain information to be proprietary, and thus CAS numbers and other limited information may not be available for release.

In no event shall TI's liability arising out of such information exceed the total purchase price of the TI part(s) at issue in this document sold by TI to Customer on an annual basis.

**TRAY**


Chamfer on Tray corner indicates Pin 1 orientation of packed units.

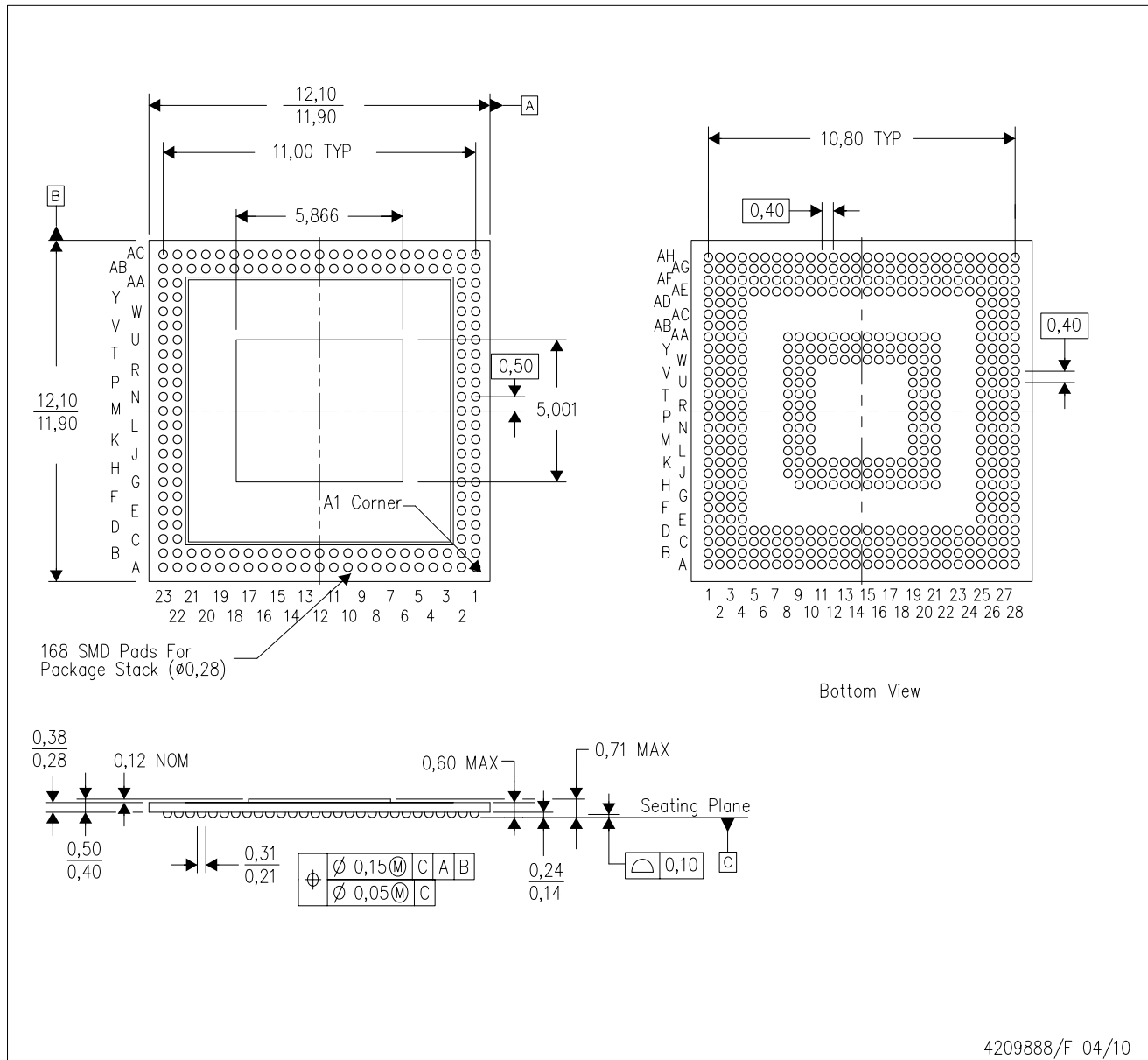
\*All dimensions are nominal

Device	Package Name	Package Type	Pins	SPQ	Unit array matrix	Max temperature (°C)	L (mm)	W (mm)	K0 (µm)	P1 (mm)	CL (mm)	CW (mm)
DM3725CBC	CBC	FCCSP	515	119	7X17	150	315	135.9	7620	18.1	12.7	12.9
DM3725CBC100	CBC	FCCSP	515	119	7X17	150	315	135.9	7620	18.1	12.7	12.9
DM3725CBCA	CBC	FCCSP	515	119	7X17	150	315	135.9	7620	18.1	12.7	12.9
DM3725CBP	CBP	FCCSP	515	168	8X21	150	315	135.9	7620	14.65	11	11.95
DM3725CBP100	CBP	FCCSP	515	168	8X21	150	315	135.9	7620	14.65	11	11.95
DM3725CBPA	CBP	FCCSP	515	168	8X21	150	315	135.9	7620	14.65	11	11.95
DM3725CBPD100	CBP	FCCSP	515	168	8X21	150	315	135.9	7620	14.65	11	11.95
DM3725CUS	CUS	FCCSP	423	90	6 X 15	150	315	135.9	7620	20	17.5	15.45
DM3725CUS100	CUS	FCCSP	423	90	6 X 15	150	315	135.9	7620	20	17.5	15.45
DM3725CUSA	CUS	FCCSP	423	90	6 X 15	150	315	135.9	7620	20	17.5	15.45
DM3725CUSD100	CUS	FCCSP	423	90	6 X 15	150	315	135.9	7620	20	17.5	15.45
DM3730CBC	CBC	FCCSP	515	119	7X17	150	315	135.9	7620	18.1	12.7	12.9
DM3730CBC100	CBC	FCCSP	515	119	7X17	150	315	135.9	7620	18.1	12.7	12.9
DM3730CBCA	CBC	FCCSP	515	119	7X17	150	315	135.9	7620	18.1	12.7	12.9
DM3730CBCD100	CBC	FCCSP	515	119	7X17	150	315	135.9	7620	18.1	12.7	12.9
DM3730CBP	CBP	FCCSP	515	168	8X21	150	315	135.9	7620	14.65	11	11.95
DM3730CBP100	CBP	FCCSP	515	168	8X21	150	315	135.9	7620	14.65	11	11.95

Device	Package Name	Package Type	Pins	SPQ	Unit array matrix	Max temperature (°C)	L (mm)	W (mm)	K0 (µm)	P1 (mm)	CL (mm)	CW (mm)
DM3730CBPA	CBP	FCCSP	515	168	8X21	150	315	135.9	7620	14.65	11	11.95
DM3730CBPD100	CBP	FCCSP	515	168	8X21	150	315	135.9	7620	14.65	11	11.95
DM3730CUS	CUS	FCCSP	423	90	6 X 15	150	315	135.9	7620	20	17.5	15.45
DM3730CUS100	CUS	FCCSP	423	90	6 X 15	150	315	135.9	7620	20	17.5	15.45
DM3730CUSA	CUS	FCCSP	423	90	6 X 15	150	315	135.9	7620	20	17.5	15.45
DM3730CUSD100	CUS	FCCSP	423	90	6 X 15	150	315	135.9	7620	20	17.5	15.45
VCBU3730GSCUS100	CUS	FCCSP	423	90	6 X 15	150	315	135.9	7620	20	17.5	15.45

CBP (S-PBGA-N515)

PLASTIC BALL GRID ARRAY

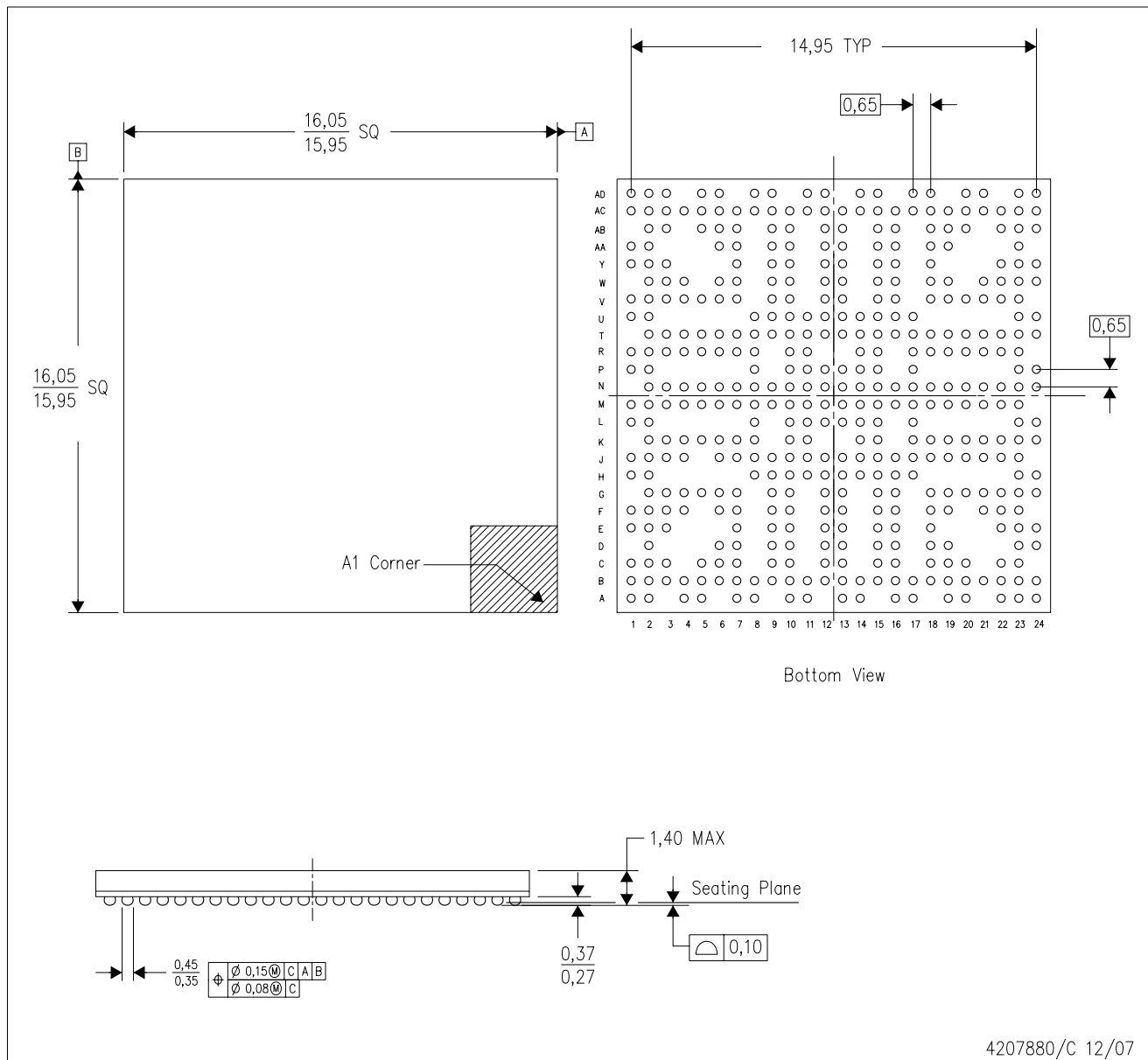


4209888/F 04/10

- NOTES:
- A. All linear dimensions are in millimeters. Dimensioning and tolerancing per ASME Y14.5M-1994.
  - B. This drawing is subject to change without notice.
  - C. Flip chip application only.
  - D. Pb-free die bump and solder ball.

CUS (S-PBGA-N423)

PLASTIC BALL GRID ARRAY

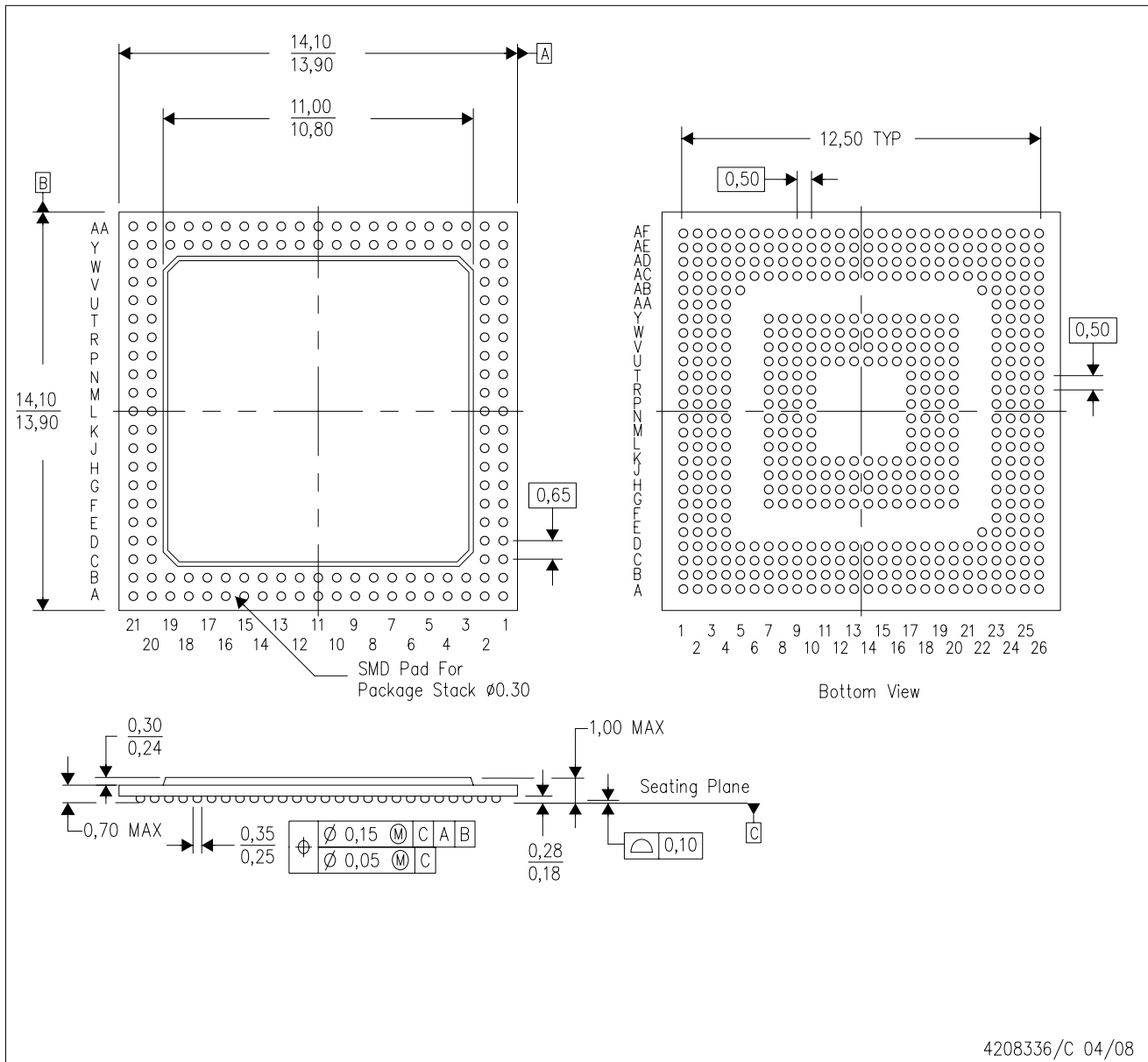


- NOTES:
- A. All linear dimensions are in millimeters.
  - B. This drawing is subject to change without notice.
  - C. Flip chip application only.
  - D. Lead-free die bump and solder ball.



CBC (S-PBGA-N515)

PLASTIC BALL GRID ARRAY



4208336/C 04/08

- NOTES:
- A. All linear dimensions are in millimeters.
  - B. This drawing is subject to change without notice.
  - C. Flip chip application only.
  - D. Lead-free die bump and solder ball.

## IMPORTANT NOTICE AND DISCLAIMER

TI PROVIDES TECHNICAL AND RELIABILITY DATA (INCLUDING DATA SHEETS), DESIGN RESOURCES (INCLUDING REFERENCE DESIGNS), APPLICATION OR OTHER DESIGN ADVICE, WEB TOOLS, SAFETY INFORMATION, AND OTHER RESOURCES "AS IS" AND WITH ALL FAULTS, AND DISCLAIMS ALL WARRANTIES, EXPRESS AND IMPLIED, INCLUDING WITHOUT LIMITATION ANY IMPLIED WARRANTIES OF MERCHANTABILITY, FITNESS FOR A PARTICULAR PURPOSE OR NON-INFRINGEMENT OF THIRD PARTY INTELLECTUAL PROPERTY RIGHTS.

These resources are intended for skilled developers designing with TI products. You are solely responsible for (1) selecting the appropriate TI products for your application, (2) designing, validating and testing your application, and (3) ensuring your application meets applicable standards, and any other safety, security, regulatory or other requirements.

These resources are subject to change without notice. TI grants you permission to use these resources only for development of an application that uses the TI products described in the resource. Other reproduction and display of these resources is prohibited. No license is granted to any other TI intellectual property right or to any third party intellectual property right. TI disclaims responsibility for, and you will fully indemnify TI and its representatives against, any claims, damages, costs, losses, and liabilities arising out of your use of these resources.

TI's products are provided subject to [TI's Terms of Sale](#) or other applicable terms available either on [ti.com](https://www.ti.com) or provided in conjunction with such TI products. TI's provision of these resources does not expand or otherwise alter TI's applicable warranties or warranty disclaimers for TI products.

TI objects to and rejects any additional or different terms you may have proposed.

Mailing Address: Texas Instruments, Post Office Box 655303, Dallas, Texas 75265  
Copyright © 2023, Texas Instruments Incorporated