

## 采用 LDO 稳压器的 DRV8850 低电压 H 桥 IC

### 1 特性

- H 桥电机驱动器
  - 驱动直流电机、步进电机的一个绕组或其他负载
  - 低 MOSFET 导通电阻：65 mΩ HS + LS（4.2V 和 25°C 时）
- 5A 持续 8A 峰值驱动电流
- 具有电流感测输出的内部电流感测
- 2 至 5.5V 宽电源电压范围
- 过压和欠压闭锁
- 低功耗睡眠模式
- 100mA 隔离低压降 (LDO) 稳压器
- 24 引脚超薄型四方扁平无引线 (VQFN) 封装

### 2 应用范围

- 启动转矩较高的 电池供电类应用 例如：
  - 个人卫生用具（电动牙刷，剃须刀）
  - 玩具
  - 遥控直升飞机和汽车
  - 机器人

### 3 说明

DRV8850 器件提供了一套电机驱动器与 LDO 稳压器组合解决方案，主要面向消费类产品、玩具及其他低电压或电池供电类运动控制应用的高速串行链路的稳定性。的高度集成和高性能解决方案。此器件拥有一个驱动直流电机的 H 桥驱动器、一个音圈传动器、一个步进电机绕组、一个螺线管或其他器件。输出驱动器块包括配置为一个 H 桥的 N 通道功率 MOSFET 以驱动负载。内部电荷泵生成所需的栅极驱动电压。

DRV8850 器件提供高达 5A 的持续输出电流（具有适当的印刷电路板 (PCB) 散热）和高达 8A 的峰值电流。该器件由 2V 至 5.5V 的电源电压供电运行。

一个低压降线性稳压器与电机驱动器集成在一起，为微控制器或其它电路供电。LDO 稳压器可在器件睡眠模式中被激活，这样的话，此驱动器可在无需移除为任一器件供电的电源（LDO 稳压器）的情况下被关断。

内部关断功能提供过流保护、短路保护、欠压保护、过压保护和过热保护。

此外，该器件还内置电流感测功能，可实现精确电流测量。

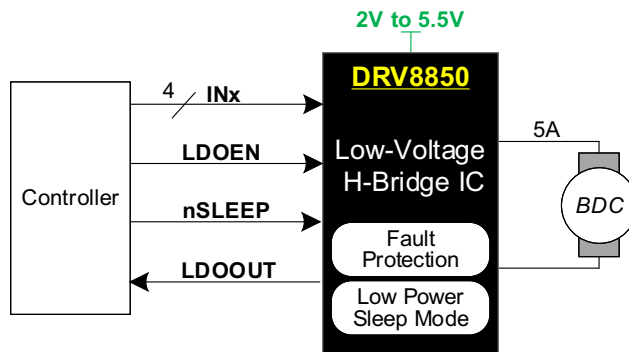
DRV8850 器件采用 24 引脚 VQFN (3.5mm × 5.5mm) 封装（环境友好型：符合 RoHS 标准并且无 Sb/Br）。

#### 器件信息<sup>(1)</sup>

| 器件型号    | 封装        | 封装尺寸（标称值）       |
|---------|-----------|-----------------|
| DRV8850 | VQFN (24) | 5.50mm × 3.50mm |

(1) 如需了解所有可用封装，请参阅数据表末尾的可订购产品附录。

简化原理图



## 目录

|          |  |           |           |   |           |
|----------|--|-----------|-----------|---|-----------|
| <b>1</b> | <b>特性</b> .....                              | <b>1</b>  | <b>8</b>  | <b>Application and Implementation</b> ..... | <b>18</b> |
| <b>2</b> | <b>应用范围</b> .....                            | <b>1</b>  | 8.1       | Application Information .....               | 18        |
| <b>3</b> | <b>说明</b> .....                              | <b>1</b>  | 8.2       | Typical Application .....                   | 18        |
| <b>4</b> | <b>修订历史记录</b> .....                          | <b>2</b>  | <b>9</b>  | <b>Power Supply Recommendations</b> .....   | <b>20</b> |
| <b>5</b> | <b>Pin Configuration and Functions</b> ..... | <b>3</b>  | 9.1       | Bulk Capacitance .....                      | 20        |
| <b>6</b> | <b>Specifications</b> .....                  | <b>4</b>  | <b>10</b> | <b>Layout</b> .....                         | <b>20</b> |
| 6.1      | Absolute Maximum Ratings .....               | 4         | 10.1      | Layout Guidelines .....                     | 20        |
| 6.2      | ESD Ratings .....                            | 4         | 10.2      | Layout Example .....                        | 21        |
| 6.3      | Recommended Operating Conditions .....       | 4         | 10.3      | Thermal Considerations .....                | 21        |
| 6.4      | Thermal Information .....                    | 4         | <b>11</b> | <b>器件和文档支持</b> .....                        | <b>22</b> |
| 6.5      | Electrical Characteristics .....             | 5         | 11.1      | 文档支持 .....                                  | 22        |
| 6.6      | Timing Requirements .....                    | 6         | 11.2      | 接收文档更新通知 .....                              | 22        |
| 6.7      | Typical Characteristics .....                | 7         | 11.3      | 社区资源 .....                                  | 22        |
| <b>7</b> | <b>Detailed Description</b> .....            | <b>10</b> | 11.4      | 商标 .....                                    | 22        |
| 7.1      | Overview .....                               | 10        | 11.5      | 静电放电警告 .....                                | 22        |
| 7.2      | Functional Block Diagram .....               | 11        | 11.6      | Glossary .....                              | 22        |
| 7.3      | Feature Description .....                    | 12        | <b>12</b> | <b>机械、封装和可订购信息</b> .....                    | <b>22</b> |
| 7.4      | Device Functional Modes .....                | 17        |           |   |           |

## 4 修订历史记录

注：之前版本的页码可能与当前版本有所不同。

| <b>Changes from Revision C (July 2016) to Revision D</b>                     | <b>Page</b> |
|--|-------------|
| • Changed Pin Functions table's Pin No. of OUT2 to 21, 22, 23 .....          | 3           |
| • Changed Pin Functions table's Pin No. of VCC to 18, 19, 20 .....           | 3           |
| • Changed <a href="#">Table 1</a> table's Pin No. of VCC to 18, 19, 20 ..... | 12          |

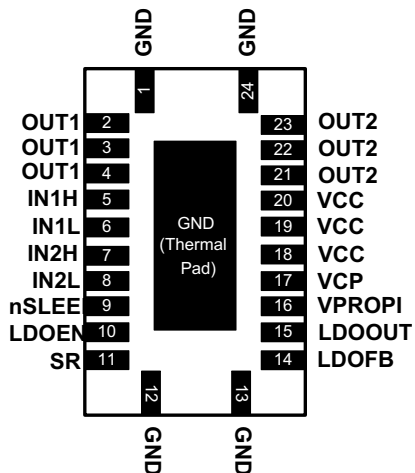
| <b>Changes from Revision B (December 2015) to Revision C</b>   | <b>Page</b> |
|--|-------------|
| • 在首页特性项目 .....  | 1           |
| • Added maximum values for the HS and LS FET on resistance parameters (at $T_A = 25^\circ\text{C}$ , $85^\circ\text{C}$ ) in the <i>Electrical Characteristics</i> table ..... | 5           |
| • 已添加 添加了文档支持和接收文档更新通知 部分 .....  | 22          |

| <b>Changes from Revision A (January 2014) to Revision B</b>   | <b>Page</b> |
|---|-------------|
| • 已添加 引脚配置和功能部分, ESD 额定值表, 特性描述 部分, 器件功能模式, 应用和实施部分, 电源相关建议部分, 布局部分, 器件和文档支持部分以及机械、封装和可订购信息部分 ..... | 1           |
| • 已删除 HTSSOP 封装。 .....  | 1           |

| <b>Changes from Original (November 2013) to Revision A</b> | <b>Page</b> |
|--|-------------|
| • 已删除产品预览条 .....   | 1           |

## 5 Pin Configuration and Functions

**RGY Package**  
**24-Pin VQFN With Exposed Thermal Pad**  
**Top View**



**Pin Functions**

| PIN                     |                               | I/O <sup>(1)</sup> | DESCRIPTION            | EXTERNAL COMPONENTS OR CONNECTIONS  |
|-------------------------|-------------------------------|--------------------|------------------------|---|
| NAME                    | NO.                           |                    |                        |   |
| <b>POWER AND GROUND</b> |                               |                    |                        |   |
| GND                     | 1, 12, 13, 24,<br>Thermal pad | —                  | Device ground          |   |
| LDOOUT                  | 15                            | —                  | LDO regulator output   | Bypass to GND with a 2.2- $\mu$ F 6.3-V ceramic capacitor   |
| VCC                     | 18, 19, 20                    | —                  | Device supply          | Bypass to GND with 0.1- $\mu$ F and 10- $\mu$ F 6.3-V ceramic capacitors  |
| VCP                     | 17                            | —                  | Charge pump            | Connect a 0.1- $\mu$ F 6.3-V ceramic capacitor to VCC   |
| <b>CONTROL</b>          |                               |                    |                        |   |
| IN1H                    | 5                             | I                  | Input 1 HS FET enable  | Active high enables HS FET for output 1<br>Internal pulldown resistor   |
| IN1L                    | 6                             | I                  | Input 1 LS FET enable  | Active high enables LS FET for output 1<br>Internal pulldown resistor   |
| IN2H                    | 7                             | I                  | Input 2 HS FET enable  | Active high enables HS FET for output 2<br>Internal pulldown resistor   |
| IN2L                    | 8                             | I                  | Input 2 LS FET enable  | Active high enables LS FET for output 2<br>Internal pulldown resistor   |
| LDOEN                   | 10                            | I                  | LDO regulator enable   | Logic low disables LDO regulator<br>Logic high enables LDO regulator<br>Internal pulldown resistor  |
| LDOFB                   | 14                            | I                  | LDO regulator feedback | Resistor divider from LDOOUT sets LDO output voltage<br>May be connected to LDOIN to enable LDO   |
| nSLEEP                  | 9                             | I                  | Sleep mode input       | Logic low puts device in low-power sleep mode<br>Logic high for typical operation<br>Internal pulldown resistor   |
| SR                      | 11                            | IO                 | Slew rate control      | Resistor to ground sets output slew rate  |
| <b>OUTPUT</b>           |                               |                    |                        |   |
| OUT1                    | 2, 3, 4                       | O                  | Output 1               | Connect to motor winding  |
| OUT2                    | 21, 22, 23                    | O                  | Output 2               |   |
| VPROPI                  | 16                            | O                  | Current sense output   | Output current is proportional to H-bridge current. 1 k $\Omega$ , 1% resistor to GND for 2-A maximum current with VCC at 2 V. See <a href="#">Equation 1</a> if more current is required |

(1) Directions: I = input, O = output, OZ = 3-state output, OD = open-drain output, IO = input or output

## 6 Specifications

### 6.1 Absolute Maximum Ratings

over operating free-air temperature range (unless otherwise noted)<sup>(1)(2)</sup>

|  | MIN                | MAX     | UNIT |
|--|--------------------|---------|------|
| Power supply voltage, VCC                                  | -0.3               | 7       | V    |
| Charge pump, VCP   | -0.3               | VCC + 7 | V    |
| Digital pin voltage, LDOEN, IN1H, IN1L, IN2H, IN2L, nSLEEP | -0.5               | 7       | V    |
| Other pins, OUT1, OUT2, SR, LDOOUT, LDOFB, VPROPI          | -0.3               | 7       | V    |
| Peak motor drive output current, OUT1, OUT2                | Internally Limited |         | A    |
| LDO output current, LDOOUT                                 | Internally Limited |         | A    |
| T <sub>J</sub> Operating junction temperature              | -40                | 150     | °C   |
| T <sub>stg</sub> Storage temperature                       | -60                | 150     | °C   |

- (1) Stresses beyond those listed under *Absolute Maximum Ratings* may cause permanent damage to the device. These are stress ratings only, which do not imply functional operation of the device at these or any other conditions beyond those indicated under *Recommended Operating Conditions*. Exposure to absolute-maximum-rated conditions for extended periods may affect device reliability.
- (2) All voltage values are with respect to network ground terminal.

### 6.2 ESD Ratings

|  | VALUE  | UNIT  |
|--|--|-------|
| V <sub>(ESD)</sub> Electrostatic discharge | Human body model (HBM), per ANSI/ESDA/JEDEC JS-001 <sup>(1)</sup>              | ±4000 |
|  | Charged device model (CDM), per JEDEC specification JESD22-C101 <sup>(2)</sup> | ±1500 |

- (1) JEDEC document JEP155 states that 500-V HBM allows safe manufacturing with a standard ESD control process.
- (2) JEDEC document JEP157 states that 250-V CDM allows safe manufacturing with a standard ESD control process.

### 6.3 Recommended Operating Conditions

over operating free-air temperature range (unless otherwise noted)

|  | MIN | MAX | UNIT |
|--|-----|-----|------|
| VCC Device power supply voltage                                    | 2   | 5.5 | V    |
| V <sub>IN</sub> Logic level input voltage                          | 0   | VCC | V    |
| I <sub>OUT</sub> H-bridge continuous output current <sup>(1)</sup> | 0   | 5   | A    |
| I <sub>OUT</sub> H-bridge peak output current <sup>(1)</sup>       | 0   | 8   | A    |
| f <sub>PWM</sub> Externally applied PWM frequency                  | 0   | 50  | kHz  |
| T <sub>A</sub> Ambient temperature                                 | -40 | 85  | °C   |

- (1) Power dissipation and thermal limits must be observed

### 6.4 Thermal Information

| THERMAL METRIC <sup>(1)</sup>                                      | DRV8850    | UNIT |
|--|------------|------|
|  | RGY (VQFN) |      |
|  | 24 PINS    |      |
| R <sub>θJA</sub> Junction-to-ambient thermal resistance            | 39.1       | °C/W |
| R <sub>θJC(top)</sub> Junction-to-case (top) thermal resistance    | 41.1       | °C/W |
| R <sub>θJB</sub> Junction-to-board thermal resistance              | 15         | °C/W |
| ψ <sub>JT</sub> Junction-to-top characterization parameter         | 0.6        | °C/W |
| ψ <sub>JB</sub> Junction-to-board characterization parameter       | 14.9       | °C/W |
| R <sub>θJC(bot)</sub> Junction-to-case (bottom) thermal resistance | 3.2        | °C/W |

- (1) For more information about traditional and new thermal metrics, see the *Semiconductor and IC Package Thermal Metrics* application report.

## 6.5 Electrical Characteristics

 $T_A = 25^\circ\text{C}$ , over recommended operating conditions unless otherwise noted

| PARAMETER   |   | TEST CONDITIONS  | MIN              | NOM               | MAX              | UNIT             |
|---|---|--|------------------|-------------------|------------------|------------------|
| <b>POWER SUPPLIES (VCC)</b>                                       |   |  |                  |                   |                  |                  |
| $I_{VCC}$   | VCC operating supply current, LDO regulator and driver enabled                      | VCC = 4.2 V, nSLEEP = LDOEN = VCC  |                  | 2.9               |                  | mA               |
| $I_{VCC1}$  | VCC sleep mode supply current   | VCC = 4.2 V, nSLEEP = LDOEN = 0 V, INXH = INXL = 0 V   |                  |                   | 1                | $\mu\text{A}$    |
| $I_{VCC2}$  | VCC operating supply current, LDO regulator enabled, driver disabled <sup>(1)</sup> | VCC = 4.2 V, nSLEEP = 0 V, LDOEN = VCC, INXH = INXL = 0 V  |                  | 40                |                  | $\mu\text{A}$    |
| $I_{VCC3}$  | VCC operating supply current LDO voltage regulator disabled, driver enabled         | VCC = 4.2 V, nSLEEP = VCC, LDOEN = 0 V   |                  | 2.9               |                  | mA               |
| $V_{UVLO}$  | VCC undervoltage lockout voltage  | VCC rising   |                  |                   | 2                | V                |
|   |   | VCC falling  |                  |                   | 1.95             |                  |
| $V_{OVLO}$  | VCC overvoltage lockout voltage   | VCC rising   | 5.6              |                   |                  | V                |
|   |   | VCC falling  | 5.5              |                   |                  |                  |
| <b>LOGIC-LEVEL INPUTS (LDOEN, IN1H, IN1L, IN2H, IN2L, nSLEEP)</b> |   |  |                  |                   |                  |                  |
| $V_{IL}$  | Input low voltage   |  | 0                |                   | $0.2 \times VCC$ | V                |
| $V_{IH}$  | Input high voltage  |  | $0.5 \times VCC$ |                   | VCC              | V                |
| $V_{HYS}$   | Input hysteresis  |  |                  | $0.08 \times VCC$ |                  | V                |
| $I_{IL}$  | Input low current   | $V_{IN} = 0$   | -1               |                   | 1                | $\mu\text{A}$    |
| $I_{IH}$  | Input high current  | $V_{IN} = 3.3\text{ V}$  |                  |                   | 50               | $\mu\text{A}$    |
| $R_{PD}$  | Pulldown resistance   | LDOEN  |                  | 3.5               |                  | $\text{M}\Omega$ |
|   |   | nSLEEP   |                  | 400               |                  | $\text{k}\Omega$ |
|   |   | INXH, INXL   |                  | 200               |                  | $\text{k}\Omega$ |
| <b>VPROPI OUTPUT (VPROPI)</b>                                     |   |  |                  |                   |                  |                  |
| $I_{VPROPI}$  | VPROPI output current   | VCC = 4.2 V, resistor chosen to keep $V_{PROPI} \leq (VCC - 1\text{ V}) / I_{OUT}$<br>$500\text{ mA} \leq I_{OUT} \leq 5\text{ A}$ |                  | $I_{OUT} / 2000$  |                  | A                |
| <b>H-BRIDGE FETS (OUT1, OUT2)</b>                                 |   |  |                  |                   |                  |                  |
| $R_{DS(ON)}$  | HS FET on resistance  | VCC = 4.2 V, $I_{OUT} = 2\text{ A}$ , $T_A = 25^\circ\text{C}$   |                  | 35                | 45               | $\text{m}\Omega$ |
|   |   | VCC = 4.2 V, $I_{OUT} = 2\text{ A}$ , $T_A = 85^\circ\text{C}$   |                  |                   | 49               |                  |
|   | LS FET on resistance  | VCC = 4.2 V, $I_{OUT} = 2\text{ A}$ , $T_A = 25^\circ\text{C}$   |                  | 30                | 40               | $\text{m}\Omega$ |
|   |   | VCC = 4.2 V, $I_{OUT} = 2\text{ A}$ , $T_A = 85^\circ\text{C}$   |                  |                   | 44               |                  |
| $I_{OFF}$   | Off-state leakage current   | VOUT = 0 V   | -1               |                   | 1                | $\mu\text{A}$    |
| <b>LDO REGULATOR (LDOOUT)</b>                                     |   |  |                  |                   |                  |                  |
| $V_{FB}$  | LDO feedback (reference) voltage  |  | 0.76             | 0.8               | 0.84             | V                |
| $V_{DO}$  | LDO regulator dropout voltage   | VCC = 4.2 V, $I_{OUT} = 100\text{ mA}$ , $T_A = 25^\circ\text{C}$  |                  | 150               |                  | mV               |
|   |   | VCC = 4.2 V, $I_{OUT} = 100\text{ mA}$ , $T_A = 85^\circ\text{C}$  |                  | 175               |                  | mV               |
| $\Delta V_{LINE}$   | LDO line regulation   | VCC from 4.2 to 5.5 V, VOUT = 3.3 V  | -2.5%            |                   | 2.5%             |                  |
| $\Delta V_{LOAD}$   | LDO load regulation   | VOUT = 3.3 V, $I_{OUT}$ from 1 to 100 mA   | -2.5%            |                   | 2.5%             |                  |
| $I_{CL}$  | LDO output current limit  | VCC = 4.2 V, VOUT = 3.3 V, $T_A \geq 25^\circ\text{C}$   | 275              |                   |                  | mA               |

(1) Does not include the current consumption from the feedback resistors.

## Electrical Characteristics (continued)

 $T_A = 25^\circ\text{C}$ , over recommended operating conditions unless otherwise noted

| PARAMETER                  |                                      | TEST CONDITIONS          | MIN | NOM | MAX | UNIT             |
|----------------------------|--------------------------------------|--------------------------|-----|-----|-----|------------------|
| <b>PROTECTION CIRCUITS</b> |                                      |                          |     |     |     |                  |
| $I_{\text{OCP}}$           | Overcurrent protection trip level    | VCC = 2.5 to 5.5 V       | 9.5 |     |     | A                |
| $t_{\text{OCP}}$           | Overcurrent protection deglitch time |                          |     | 1   |     | $\mu\text{s}$    |
| $t_{\text{RETRY}}$         | Overcurrent retry time               |                          |     | 4   |     | ms               |
| $t_{\text{TSD}}$           | Thermal shutdown temperature         | Die temperature (rising) | 150 | 160 | 180 | $^\circ\text{C}$ |
| $t_{\text{HYS}}$           | Thermal shutdown hysteresis          | Temperature hysteresis   |     | 50  |     | $^\circ\text{C}$ |

## 6.6 Timing Requirements

 $T_A = 25^\circ\text{C}$ , VCC = 4.2 V,  $R_L = 2\ \Omega$ <sup>(1)</sup>

|                    |  |  | MIN                  | NOM | MAX | UNIT          |
|--------------------|--|--|----------------------|-----|-----|---------------|
| $t_R, t_F$         | Rise and fall time (measured at OUTx)                                    | RSR connected to GND                                     |                      | 70  |     | ns            |
|                    |  | RSR = 24 k $\Omega$                                      |                      | 0.7 |     | $\mu\text{s}$ |
|                    |  | RSR = 2.4 M $\Omega$                                     |                      | 70  |     | $\mu\text{s}$ |
| $t_{\text{DELAY}}$ | Propagation delay (measured as time between input edge to output change) | RSR connected to GND                                     |                      | 500 |     | ns            |
|                    |  | RSR = 24 k $\Omega$                                      |                      | 750 |     | ns            |
|                    |  | RSR = 2.4 M $\Omega$                                     |                      | 50  |     | $\mu\text{s}$ |
| $t_{\text{DEAD}}$  | Dead time (measured as time OUTx FET is Hi-Z)                            | Low-side slow decay<br>LS OFF to HS ON                   | RSR short to GND     |     | 400 | ns            |
|                    |  |  | RSR = 24 k $\Omega$  |     | 2.6 | $\mu\text{s}$ |
|                    |  |  | RSR = 2.4 M $\Omega$ |     | 110 | $\mu\text{s}$ |
|                    |  | Low-side slow decay<br>HS OFF to LS ON                   | RSR short to GND     |     | 400 | ns            |
|                    |  |  | RSR = 24 k $\Omega$  |     | 2.6 | $\mu\text{s}$ |
|                    |  |  | RSR = 2.4 M $\Omega$ |     | 110 | $\mu\text{s}$ |
|                    |  | High-side slow decay<br>or fast decay<br>HS OFF to LS ON | RSR short to GND     |     | 400 | ns            |
|                    |  |  | RSR = 24 k $\Omega$  |     | 2.6 | $\mu\text{s}$ |
|                    |  |  | RSR = 2.4 M $\Omega$ |     | 110 | $\mu\text{s}$ |
|                    |  | High-side slow decay<br>or fast decay<br>LS OFF to HS ON | RSR short to GND     |     | 600 | ns            |
|                    |  |  | RSR = 24 k $\Omega$  |     | 3.9 | $\mu\text{s}$ |
|                    |  |  | RSR = 2.4 M $\Omega$ |     | 165 | $\mu\text{s}$ |

(1) Rise and fall time measured from 10 to 90% VCC

### 6.7 Typical Characteristics

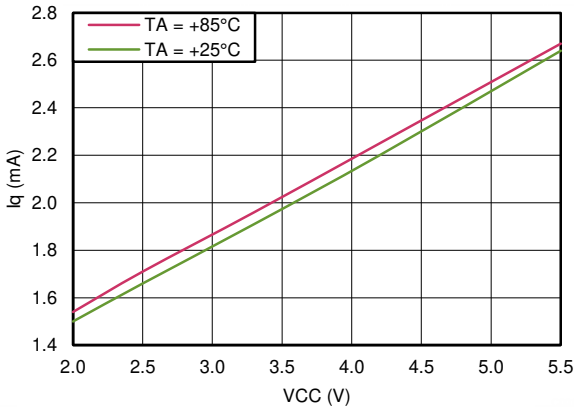


Figure 1. Quiescent Current With Motor Driver ON and LDO ON

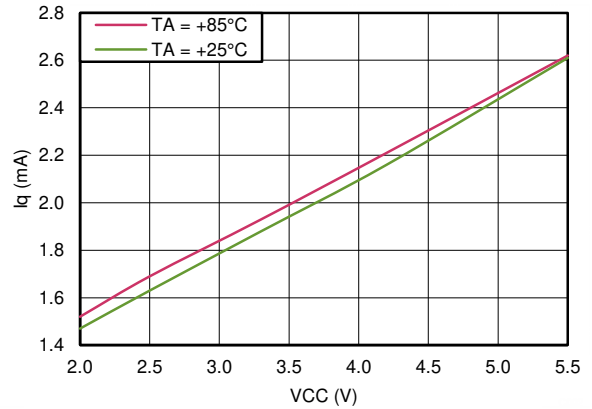


Figure 2. Quiescent Current With Motor Driver ON and LDO OFF

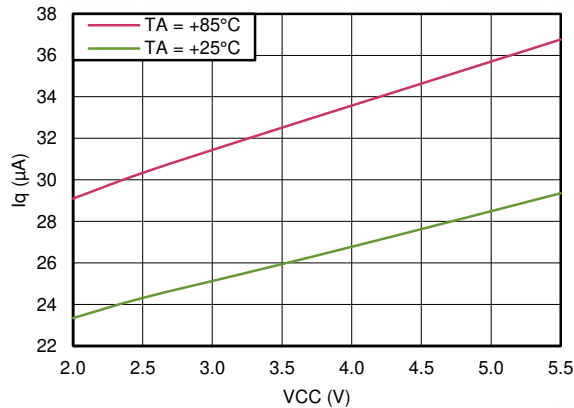


Figure 3. Quiescent Current With Motor Driver OFF and LDO ON

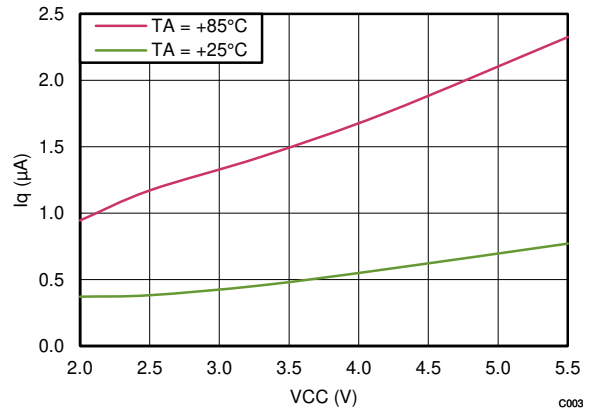


Figure 4. Quiescent Current With Motor Driver OFF and LDO OFF, Sleep Current

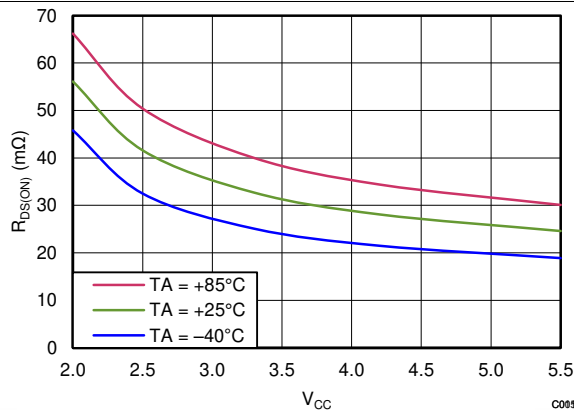


Figure 5. R\_DS(ON), HS – OUT1

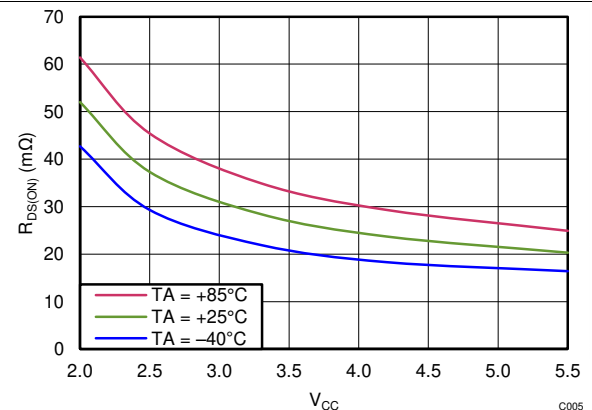


Figure 6. R\_DS(ON), HS – OUT2

Typical Characteristics (continued)

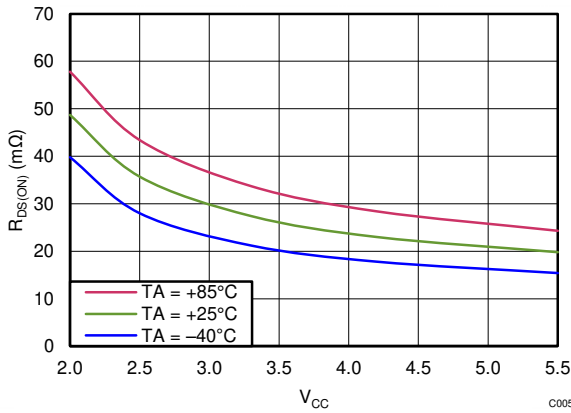


Figure 7.  $R_{DS(ON)}$ , LS – OUT1

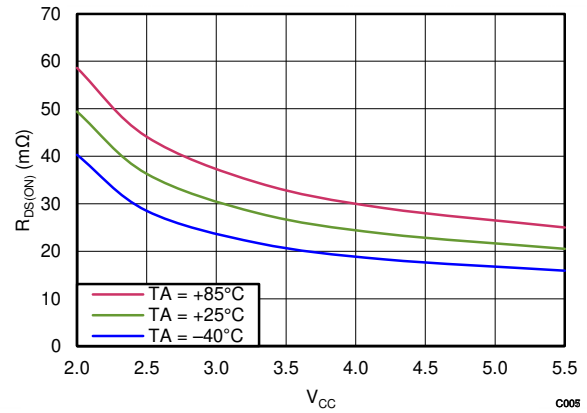


Figure 8.  $R_{DS(ON)}$ , LS – OUT2

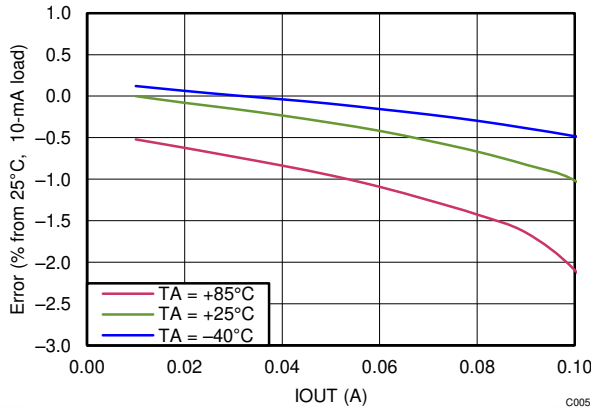


Figure 9. LDO Output,  $V_{CC} = 3.5\text{ V}$ ,  $LDOOUT = 3.3\text{ V}$

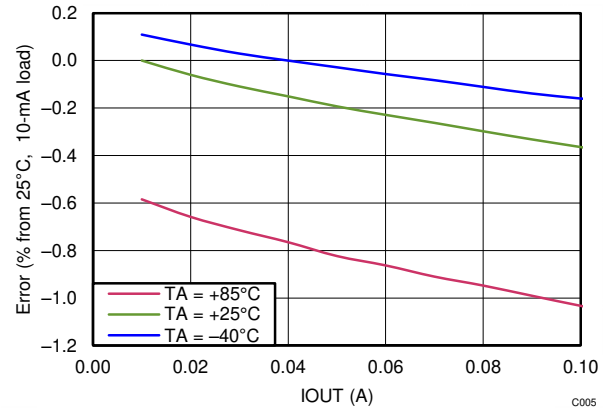


Figure 10. LDO Output,  $V_{CC} = 4.2\text{ V}$ ,  $LDOOUT = 3.3\text{ V}$

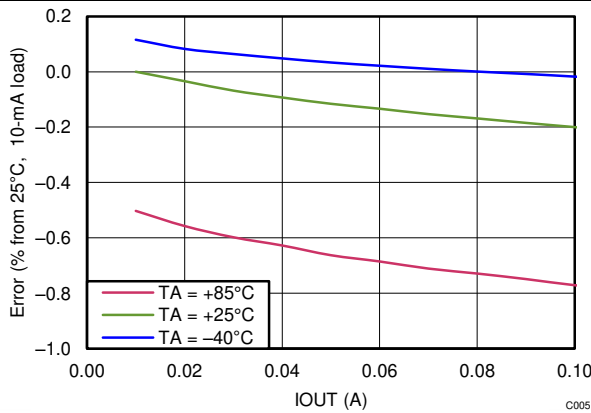


Figure 11. LDO Output,  $V_{CC} = 5.5\text{ V}$ ,  $LDOOUT = 3.3\text{ V}$

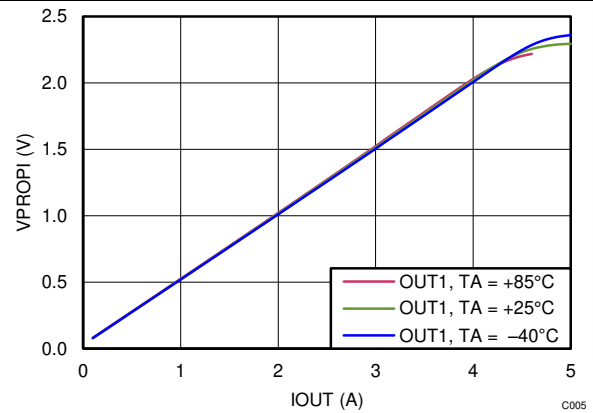
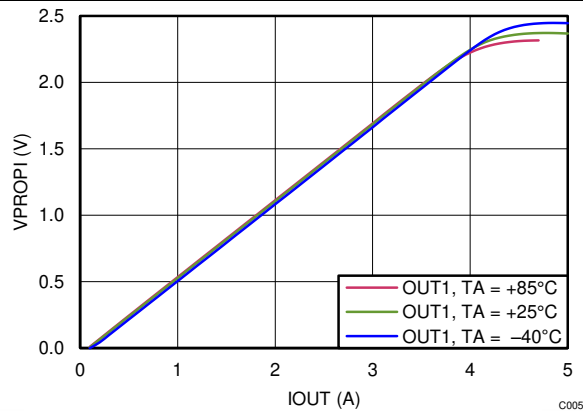


Figure 12. VPROPI Output,  $V_{CC} = 4.2\text{ V}$ , OUT1  
Overtemperature,  $1\text{ k}\Omega$



**Typical Characteristics (continued)**



**Figure 13. VPROPI Output, VCC = 4.2 V, OUT2 Overtemperature, 1 kΩ**

## 7 Detailed Description

### 7.1 Overview

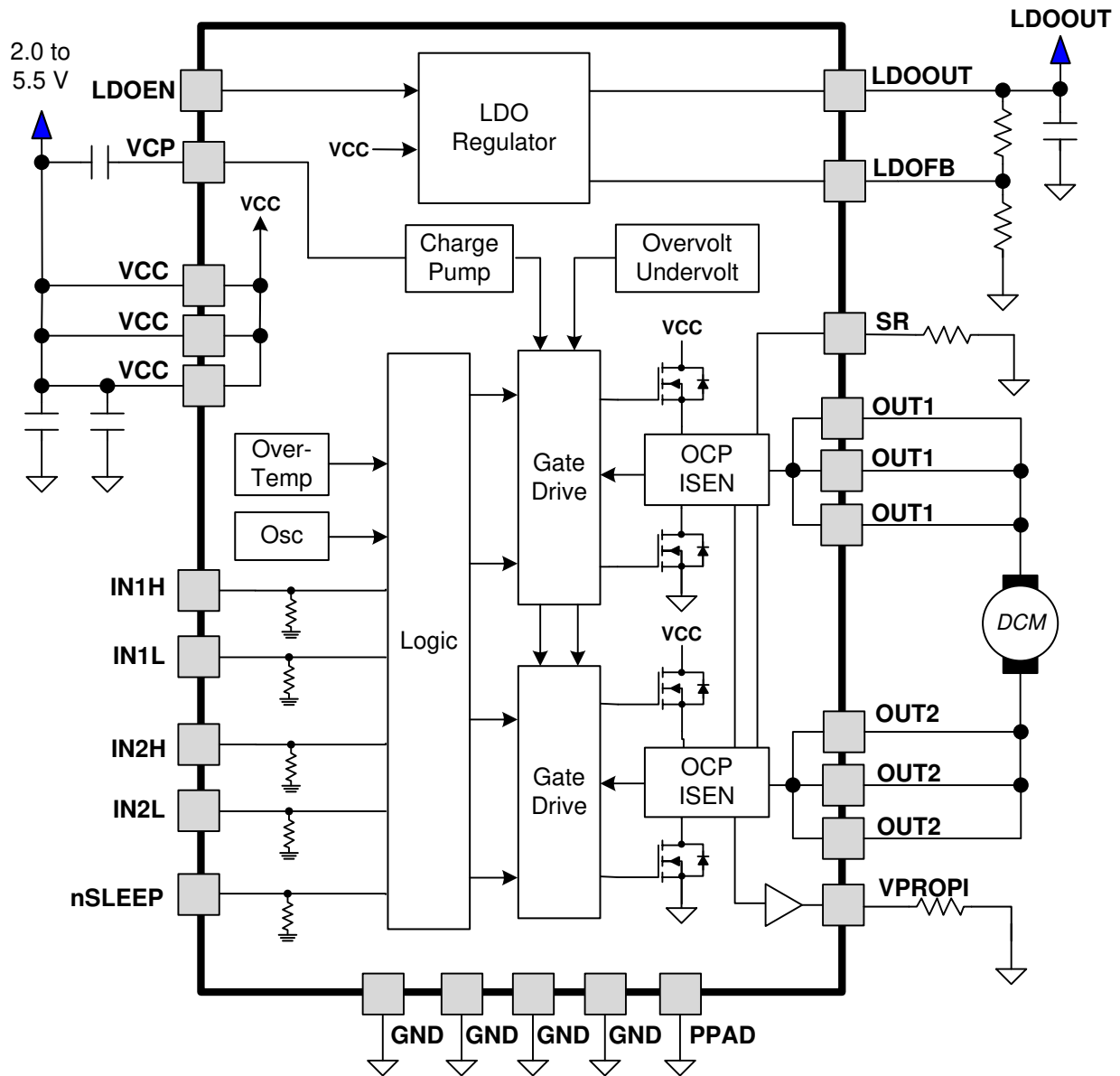
The DRV8850 is an integrated motor driver solution for one DC motor. The device integrates one NMOS H-bridge, current regulation circuitry, and various protection circuitry. The DR8850 can be powered with a supply voltage range from 2 V to 5.5 V, and is capable of providing an output current up to 5-A peak current. Actual operable peak current will depend on the temperature, supply voltage, and PCB ground plane size. Between  $V_M = 1.95\text{ V}$  and  $V_M = 2\text{ V}$  the H-bridge outputs are shut down.

A simple 4 pin interface allows for individual control of each internal H-bridge FET. The condition where both HS and LS FETs are turned on at the same time is not allowed. During this input condition both the HS and LS FETs turn off.

The current monitoring is configurable from a range of 500 mA to 5 A. The VPROPI pin outputs an analog current that is proportional to the current flowing through the H-bridge. VPROPI is derived from the current through either of the high side FETs. Because of this, VPROPI does not represent H-bridge current when operating in a fast-decay mode or low-side slow-decay mode.

The LDO regulator integrated in the DRV8850 is typically used to provide the supply voltage for a low-power microcontroller. The output voltage is adjustable from 1.6 V to  $V_{CC} - V_{LDO}$  using external resistors. LDOEN pin is used to enable or disable the LDO regulator; when disabled the output is turned off and the LDO regulator enters a very-low-power state.

### 7.2 Functional Block Diagram



### 7.3 Feature Description

Table 1 lists the external components.

**Table 1. External Components**

| PIN    |            | DESCRIPTION            |  |
|--------|------------|------------------------|--|
| NAME   | NO.        |                        |  |
| LDOFB  | 14         | LDO regulator feedback | Resistor divider from LDOOUT sets LDO output voltage.  |
| LDOOUT | 15         | LDO regulator output   | Bypass to GND with a 2.2- $\mu$ F 6.3-V ceramic capacitor.   |
| SR     | 11         | Slew rate control      | Resistor to ground sets output slew rate GND to 2.4 M $\Omega$ .   |
| VCC    | 18, 19, 20 | Device supply          | Bypass to GND with 0.1- $\mu$ F and 10- $\mu$ F 6.3-V ceramic capacitors.  |
| VCP    | 17         | Charge pump            | Connect a 0.1- $\mu$ F 6.3-V ceramic capacitor to VCC  |
| VPROPI | 16         | Current sense output   | Output current is proportional to H-bridge current. 1 k $\Omega$ , 1% resistor to GND for 2-A max current with VCC at 2 V. See Equation 1 for if more current is required. |

#### 7.3.1 Power Supervisor

The LDO regulator can be active independent of the nSLEEP pin. This independence allows a microcontroller, or other device, to be powered by the LDO voltage regulator, while retaining the ability to put the DRV8850 device into sleep mode.

Because of this functionality, nSLEEP and LDOEN must both be brought logic low to minimize power consumption in sleep mode. If the LDO regulator remains active in sleep mode, a quiescent current of  $I_{VCC2}$  (typically 50  $\mu$ A plus current through the external feedback resistors) is drawn from the supply.

Table 2 lists the operation mode logic for the DRV8850 device.

**Table 2. DRV8850 Device Operation Mode Logic<sup>(1)</sup>**

| nSLEEP | LDOEN | LDO REGULATOR | DRIVER |
|--------|-------|---------------|--------|
| 0      | 0     | Off           | Sleep  |
| 0      | 1     | Active        | Sleep  |
| 1      | 0     | Off           | Active |
| 1      | 1     | Active        | Active |

(1) A state must be active for a minimum of 1 ms before a new state is commanded.

#### 7.3.2 Bridge Control

A corresponding input pin controls the individual FETs in the DRV8850 device. Shoot-through (the condition when both HS and LS FETs are turned on at the same time) is not allowed; with this input condition, both the HS and LS FETs turn off.

Table 3 lists the logic for the DRV8850 device.

**Table 3. DRV8850 Device Logic**

| INxL | INxH | OUTx |
|------|------|------|
| 0    | 0    | Z    |
| 0    | 1    | H    |
| 1    | 0    | L    |
| 1    | 1    | Z    |

### 7.3.3 Current Sensing – VPROPI

The VPROPI pin outputs an analog current that is proportional to the current flowing in the H-bridge. The output current is typically 1 / 2000 of the current in both high side FETs. VPROPI is derived from the current through either of the high side FETs. Because of this, VPROPI does not represent the H-bridge current when operating in a fast-decay mode or low-side slow-decay mode. VPROPI represents the H-bridge current under forward drive, reverse drive, and high-side slow decay. VPROPI output is delayed by roughly 2 μs after the high side FET is switched on and it has reached approximately VCC (including the deglitch on the HSon). Select the external resistor so that the voltage on VPROPI is less than (VCC – 1 V), so the resistor must be sized less than:

$$2000 \times (VCC - 1 V) / I_{OUT} \tag{1}$$

where  $I_{OUT}$  is the maximum drive current to be monitored

The range of current that can be monitored is 500 mA to 5 A, assuming the external resistor meets Equation 1.

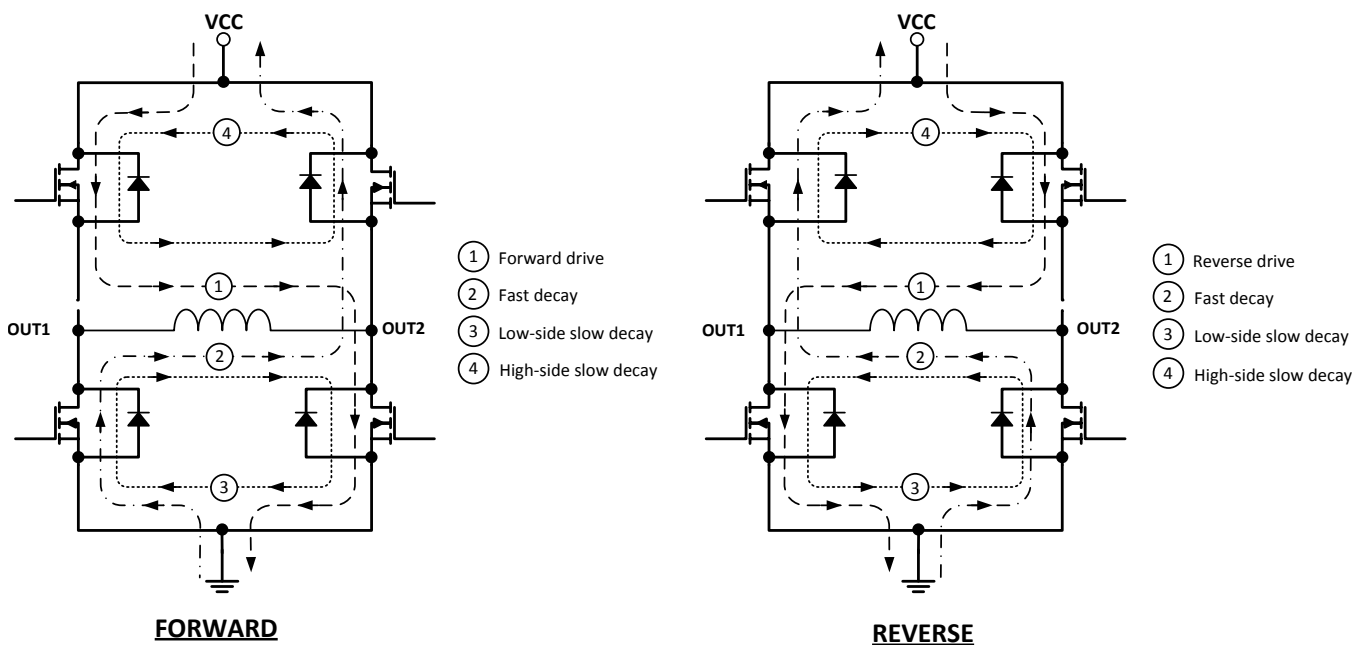
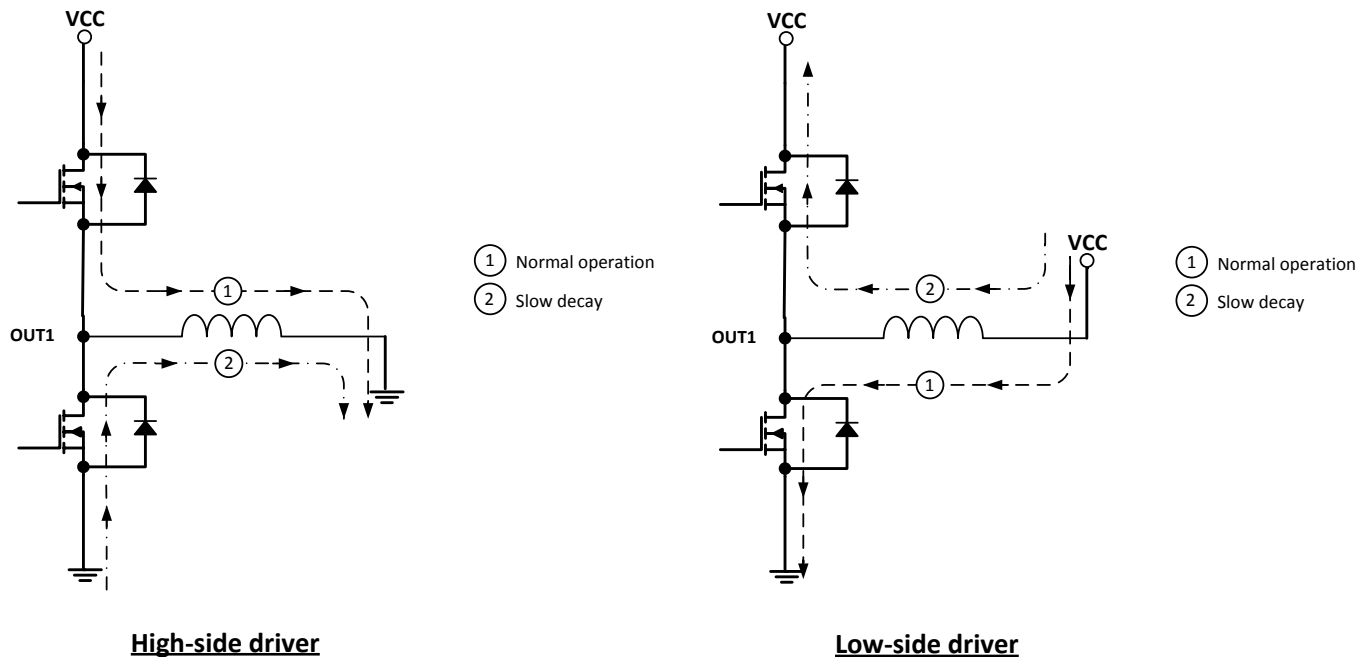


Figure 14. Forward and Reverse Operation

When using an independent half-bridge as a high-side driver, VPROPI does not output a current measurement during slow decay. During typical operation, VPROPI represents the total current flowing to loads connected to OUT1 and OUT2.

VPROPI is nonfunctional when implemented as a low-side driver.


**Figure 15. High-Side and Low-Side Drivers**

### 7.3.4 Slew-Rate Control

The rise and fall times ( $t_R$  and  $t_F$ ) of the outputs can be adjusted by the value of an external resistor connected from the SR pin to ground. The output slew rate is adjusted internally by the DRV8850 device by controlling the ramp rate of the driven FET gate.

The typical voltage on the SR pin is 0.6 V driven internally. Changing the resistor value monotonically increases the slew rates from approximately 100 ns to 100  $\mu$ s. Recommended values for the external resistor are from GND to 2.4 M $\Omega$ . If the SR pin is grounded then the slew rate is 100 ns.

### 7.3.5 Dead Time

The dead time ( $t_{DEAD}$ ) is measured as the time when OUT<sub>x</sub> is Hi-Z between turning off one of the H-bridge FETs and turning on the other. For example, the output is Hi-Z between turning off the high-side FET and turning on the low-side FET. When driving current out of the pin, the output is observed to fall to one diode drop below ground during dead time. When driving current into the pin, the output is observed to rise to one diode drop above VCC.

The DRV8850 has an analog dead time of approximately 100 ns. In addition to this analog dead time, the output is Hi-Z when the FET gate voltage is less than the threshold voltage. The total dead time depends on the SR resistor setting because a portion of the FET gate ramp includes the observable dead time.

### 7.3.6 Propagation Delay

The propagation delay time ( $t_{DELAY}$ ) is measured as the time between an input edge to an output change. This time is composed of two parts: an input deglitcher and output slewing delay. The input deglitcher prevents noise on the input pins from affecting the output state.

The output slew rate also contributes to the delay time. For the output to change state during typical operation, first one FET must be turned off. The FET gate is ramped down according to the SR resistor selection, and the observed propagation delay ends when the FET gate falls to less than the threshold voltage.

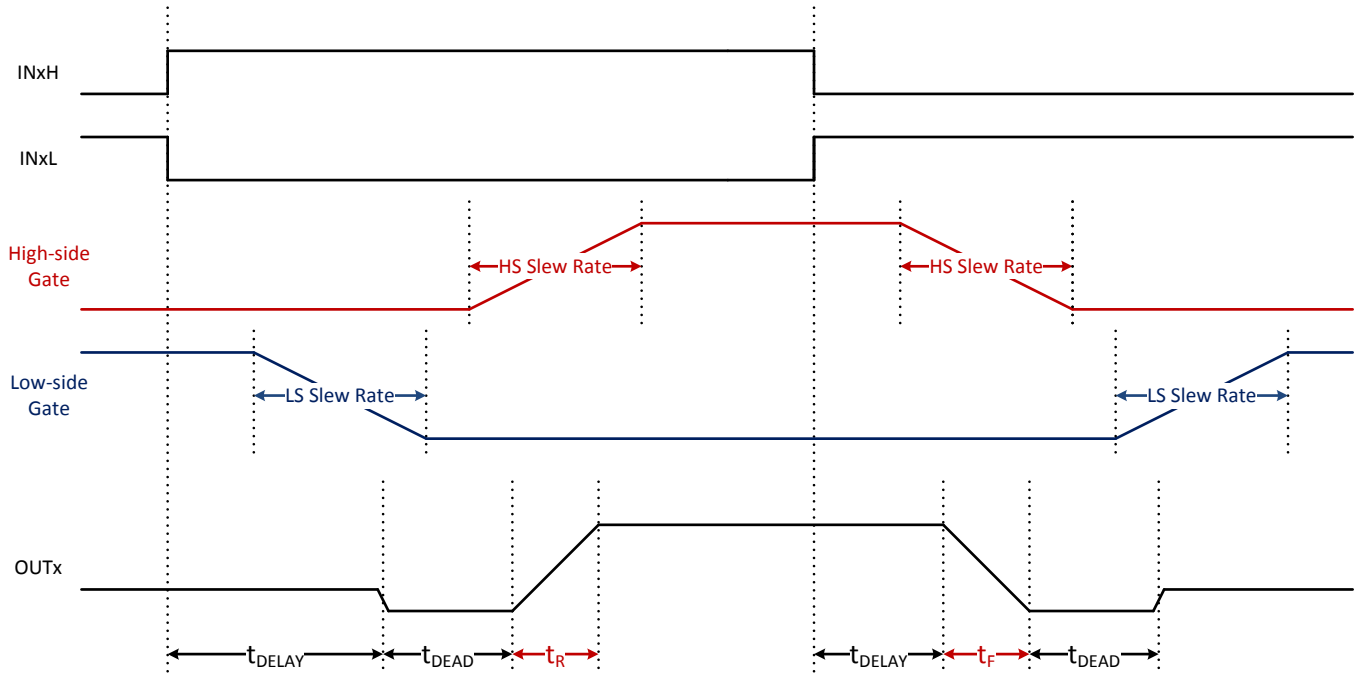


Figure 16. Low-Side Slow Decay Operation – Current Sourced from OUTx

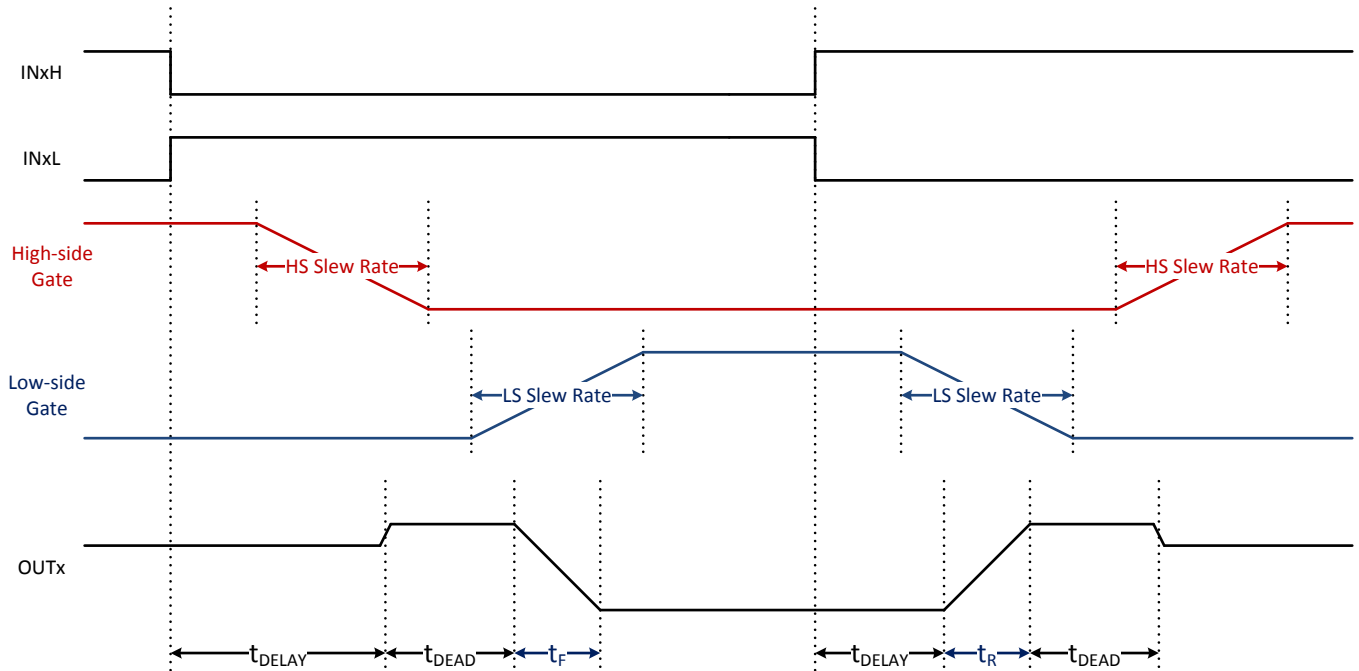


Figure 17. High-Side Slow Decay or Fast Decay Operation – Current Sunk into OUTx

### 7.3.7 Power Supplies and Input Pins

An internal charge pump generates a voltage greater than VCC that is used to drive the internal N-channel power MOSFETs. The charge pump requires a capacitor between the VCP and VCC pins. TI recommends bypassing VCC to ground with 0.1- $\mu$ F and 10- $\mu$ F ceramic capacitors, placing them as close as possible to the IC. Each input pin has a weak pull-down resistor to ground (see [Electrical Characteristics](#) for more details).

The input pins should not be driven to more than 0.6 V without the VCC power supply removed.

### 7.3.8 LDO Voltage Regulator

An LDO regulator is integrated into the DRV8850 device. The LDO regulator is typically used to provide the supply voltage for a low-power microcontroller. For proper operation, bypass the LDOOUT pin to GND using a ceramic capacitor. The recommended value for this component is 2.2  $\mu$ F.

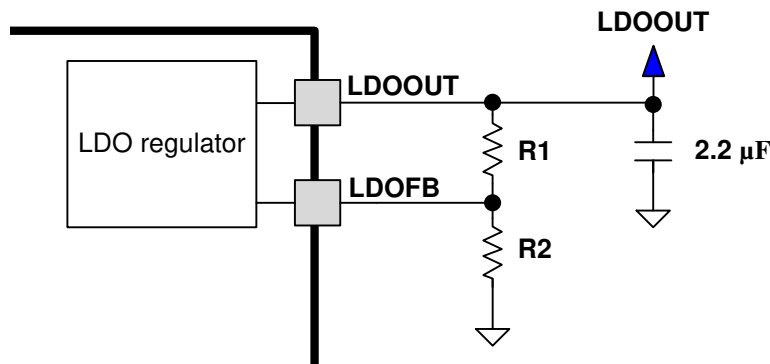
Two external resistors are used to set the LDO voltage ( $V_{LDO}$ ) by creating a voltage divider between LDOOUT and LDOFB. The LDO output voltage can be given by:

$$V_{LDO} = V_{FB} \times (1 + R1/R2)V$$

where

- R1 is located between LDOOUT and LDOFB
- R2 is between LDOFB and GND

(2)



**Figure 18. LDO Regulator Schematic**

The output voltage is adjustable from 1.6 V to  $V_{CC} - V_{LDO}$  using external resistors. The LDOEN pin is used to enable or disable the LDO regulator; when disabled, the output is turned off and the LDO regulator enters a very-low-power state.

When the LDO current load exceeds  $I_{CL}$ , the LDO regulator behaves like a constant current source. The LDO output voltage drops significantly with currents greater than  $I_{CL}$ .

### 7.3.9 Protection Circuits

The DRV8850 device is protected against undervoltage, overvoltage, overcurrent, and overtemperature events.

#### 7.3.9.1 Overcurrent Protection (OCP)

An analog current limit circuit on each FET limits the current through the FET by removing the gate drive. If this analog current limit persists for longer than  $t_{OCP}$ , all FETs in the H-bridge are disabled. After approximately  $t_{RETRY}$ , the bridge reenables automatically.

Overcurrent conditions on both high and low-side devices, that is, a short to ground, supply, or across the motor winding result in an overcurrent shutdown.

#### 7.3.9.2 Thermal Shutdown (TSD)

If the die temperature exceeds  $t_{TSD}$ , all FETs in the H-bridge are disabled. Once the die temperature has fallen below  $t_{TSD} - t_{HYS}$ , the H-bridge automatically reenables.



### 7.3.9.3 Undervoltage Lockout (UVLO)

If at any time the voltage on the VCC pins falls to less than the undervoltage lockout threshold voltage, all circuitry in the device is disabled and internal logic resets. Operation resumes when VCC rises to greater than the UVLO threshold.

### 7.3.9.4 Overvoltage Lockout (OVLO)

If at any time the voltage on the VCC pins rises to more than  $V_{OVLO}$ , the output FETs are disabled (outputs are high-Z). Operation resumes when VCC falls below the  $V_{OVLO}$ .

#### CAUTION

VCC must remain less than the absolute maximum rating for the device, or damage to the device may occur.

## 7.4 Device Functional Modes

The DRV8850 internal logic and charge pump are operating unless nSLEEP is pulled low. The LDO regulator can be active independent of the nSLEEP pin. This independence allows a microcontroller or other device to be powered by the LDO regulator while retaining the ability to put the DRV8850 into sleep mode.

If LDOEN and nSLEEP are both brought logic low the device will minimize current consumption in sleep mode. While the LDO regulator remains active in sleep mode, a quiescent current (typically 50  $\mu$ A plus current through the external feedback resistors) is drawn from the supply.

Each FET inside the device is controlled by a corresponding input pin on the DRV8850. The condition where both HS and LS FETs are turned on at the same time is not allowed. During this input condition both the HS and LS FETs turn off.

## 8 Application and Implementation

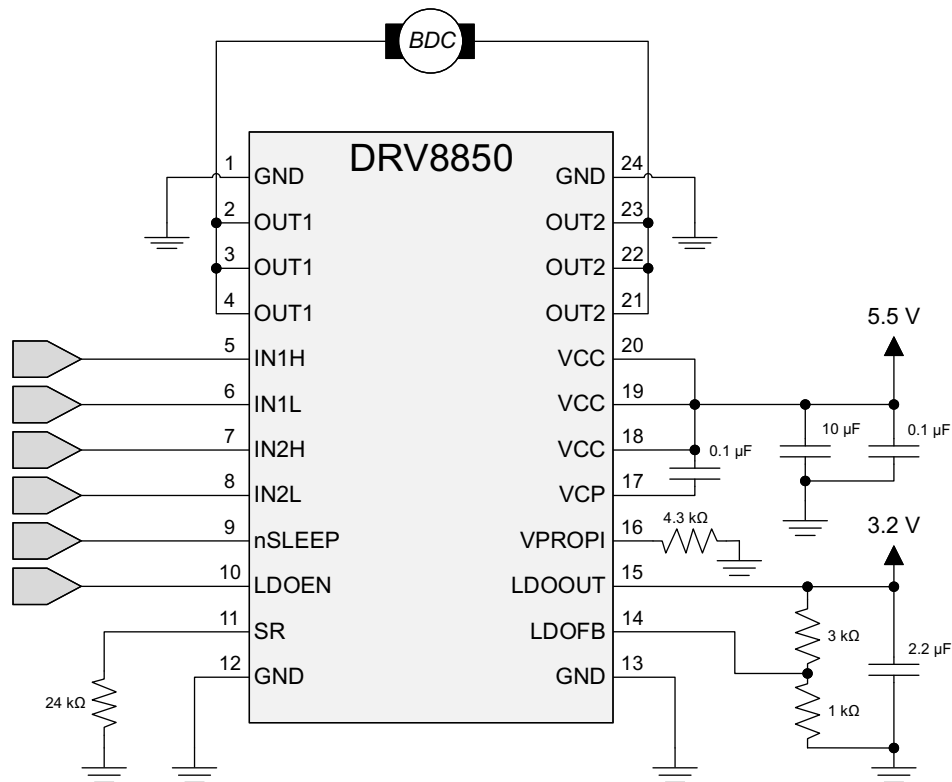
### NOTE

Information in the following applications sections is not part of the TI component specification, and TI does not warrant its accuracy or completeness. TI's customers are responsible for determining suitability of components for their purposes. Customers should validate and test their design implementation to confirm system functionality.

### 8.1 Application Information

The DRV8850 can be used to drive a DC motor.

### 8.2 Typical Application



#### 8.2.1 Design Requirements

Table 4 lists the parameters for this design example.

Table 4. Design Parameters

| DESIGN PARAMETER     | REFERENCE         | EXAMPLE VALUE |
|----------------------|-------------------|---------------|
| Supply voltage       | $V_M$             | 5.5 V         |
| LDO output voltage   | $V_{LDO}$         | 3.2 V         |
| Slew rate            | SR                | 700 ns        |
| HS FET on resistance | $R_{DS(ON)_{HS}}$ | 35 mΩ         |
| LS FET on resistance | $R_{DS(ON)_{LS}}$ | 30 mΩ         |
| Motor rated current  | $I_M$             | 2 A           |

## 8.2.2 Detailed Design Procedure

### 8.2.2.1 Motor Voltage

The motor voltage to use will depend on the ratings of the motor selected and the desired RPM. A higher voltage spins a brushed DC motor faster with the same PWM duty cycle applied to the power FETs. A higher voltage also increases the rate of current change through the inductive motor windings.

### 8.2.2.2 Drive Current

The current path is through the high-side sourcing DMOS power driver, motor winding, and low-side sinking DMOS power driver. Power dissipation losses in one source and sink DMOS power driver are shown in the following equation.

$$P_D = I^2 (R_{DS(ON)_{HS}} + R_{DS(ON)_{LS}}) \tag{3}$$

The DRV8850 has been measured to be capable of 5-A RMS current at 25°C on standard FR-4 PCBs. The maximum RMS current varies based on PCB design and the ambient temperature.

## 8.2.3 Application Curves

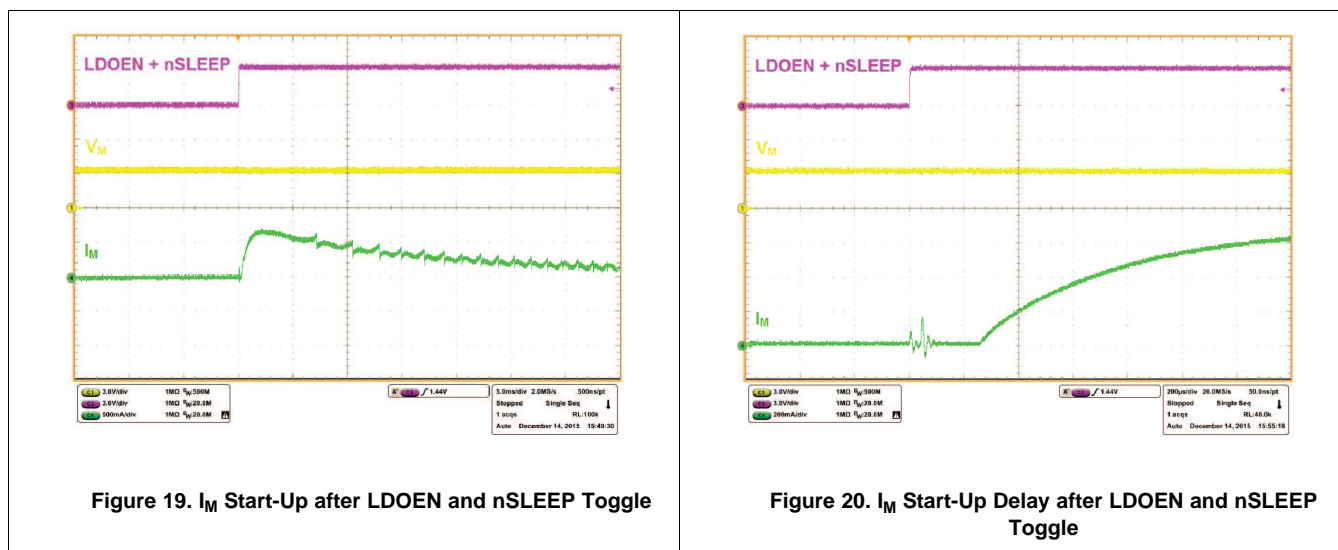


Figure 19. I<sub>M</sub> Start-Up after LDOEN and nSLEEP Toggle

Figure 20. I<sub>M</sub> Start-Up Delay after LDOEN and nSLEEP Toggle

## 9 Power Supply Recommendations

### 9.1 Bulk Capacitance

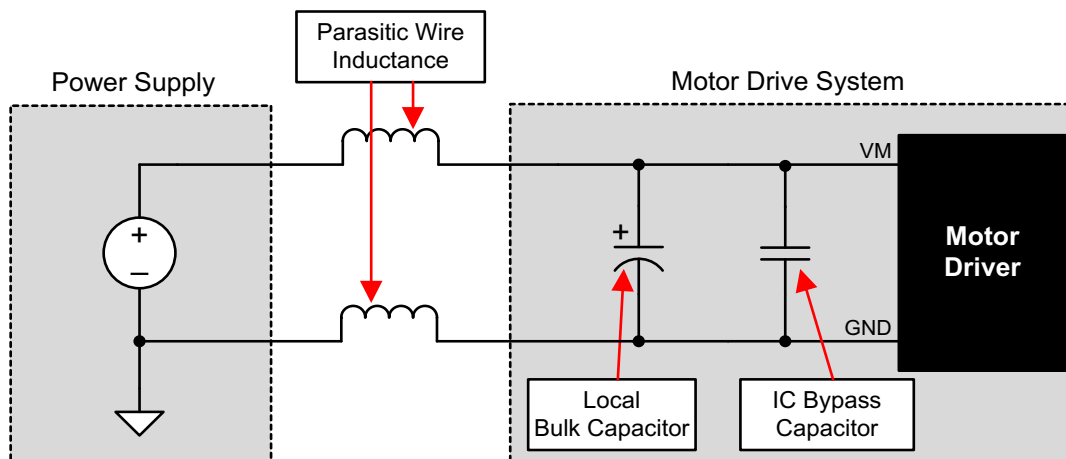
Having appropriate local bulk capacitance is an important factor in motor drive system design. It is generally beneficial to have more bulk capacitance, while the disadvantages are increased cost and physical size.

The amount of local capacitance needed depends on a variety of factors, including:

- The highest current required by the motor system.
- The power supply's capacitance and ability to source current.
- The amount of parasitic inductance between the power supply and motor system.
- The acceptable voltage ripple.
- The type of motor used (Brushed DC, Brushless DC, Stepper).
- The motor braking method.

The inductance between the power supply and motor drive system will limit the rate current can change from the power supply. If the local bulk capacitance is too small, the system will respond to excessive current demands or dumps from the motor with a change in voltage. When adequate bulk capacitance is used, the motor voltage remains stable and high current can be quickly supplied.

The data sheet generally provides a recommended value, but system-level testing is required to determine the appropriate sized bulk capacitor.



**Figure 21. Example Setup of Motor Drive System With External Power Supply**

The voltage rating for bulk capacitors should be higher than the operating voltage, to provide margin for cases when the motor transfers energy to the supply.

## 10 Layout

### 10.1 Layout Guidelines

- The bulk capacitor should be placed to minimize the distance of the high-current path through the motor driver device. The connecting metal trace widths should be as wide as possible, and numerous vias should be used when connecting PCB layers. These practices minimize inductance and allow the bulk capacitor to deliver high current.
- Small-value capacitors should be ceramic, and placed close to the device pins.
- The high-current device outputs should use wide metal traces.
- The device thermal pad should be soldered to the PCB top-layer ground plane. Multiple vias should be used to connect to a large bottom-layer ground plane. The use of large metal planes and multiple vias help dissipate the  $I^2 \times R_{DS(on)}$  heat that is generated in the device.

## 10.2 Layout Example

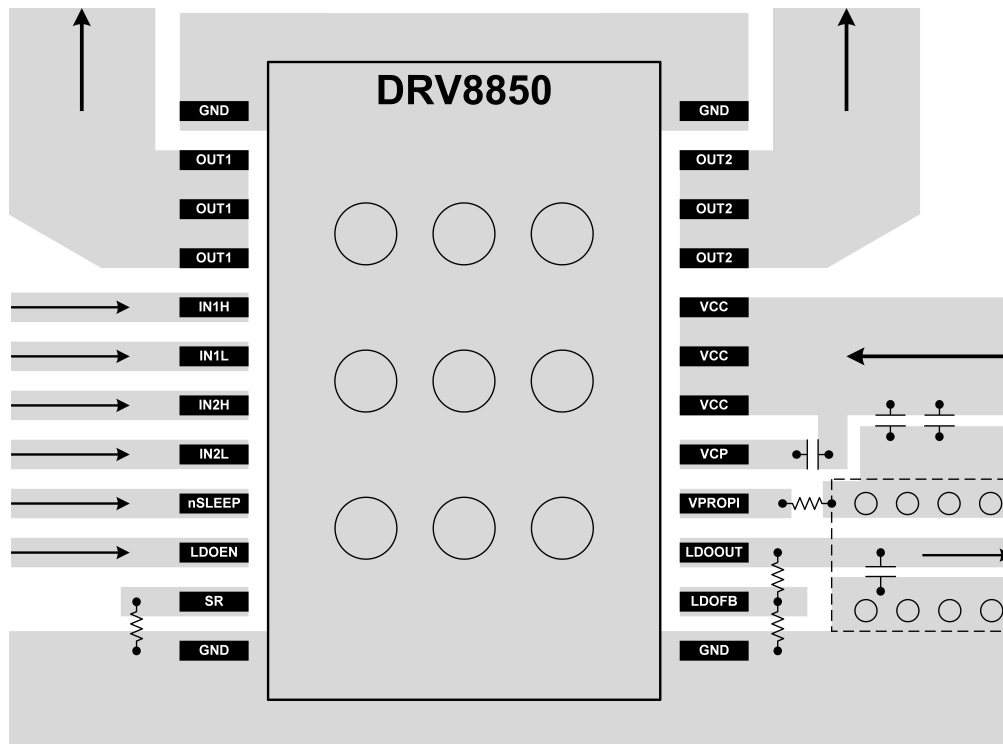


Figure 22. Layout Recommendation

## 10.3 Thermal Considerations

The DRV8850 device has thermal shutdown (TSD) as described in the [Thermal Shutdown \(TSD\)](#) section. If the die temperature exceeds approximately  $t_{TSD}$ , the device will be disabled until the temperature drops to a safe level.

Any tendency of the device to enter thermal shutdown is an indication of either excessive power dissipation, insufficient heatsinking, or too high an ambient temperature.

### 10.3.1 Power Dissipation

Power dissipation in the DRV8850 device is the sum of the motor driver power dissipation and the LDO voltage regulator dissipation.

The LDO dissipation is calculated simply by  $(V_{IN} - V_{OUT}) \times I_{OUT}$ .

The power dissipation in the motor driver is dominated by the power dissipated in the output FET resistance, or  $R_{DS(ON)}$ . Power dissipation can be estimated by:

$$P_{TOT} = (LS\_R_{DS(ON)} + HS\_R_{DS(ON)}) \times (I_{OUT(RMS)})^2$$

where

- $P_{TOT}$  is the total power dissipation
  - $R_{DS(ON)}$  is the resistance of each FET
  - $I_{OUT(RMS)}$  is the RMS output current being driven
- (4)

The maximum amount of power that can be dissipated in the device is dependent on ambient temperature and heat sinking.

Note that  $R_{DS(ON)}$  increases with temperature, so as the device heats, the power dissipation increases.

## 11 器件和文档支持

### 11.1 文档支持

#### 11.1.1 相关文档

请参阅如下相关文档:

[《DRV8850EVM 用户指南》](#)

### 11.2 接收文档更新通知

要接收文档更新通知, 请导航至 [ti.com](#) 上的器件产品文件夹。单击右上角的通知我进行注册, 即可每周接收产品信息更改摘要。有关更改的详细信息, 请查看任何已修订文档中包含的修订历史记录。

### 11.3 社区资源

[TI E2E™ support forums](#) are an engineer's go-to source for fast, verified answers and design help — straight from the experts. Search existing answers or ask your own question to get the quick design help you need.

Linked content is provided "AS IS" by the respective contributors. They do not constitute TI specifications and do not necessarily reflect TI's views; see TI's [Terms of Use](#).

### 11.4 商标

E2E is a trademark of Texas Instruments.

All other trademarks are the property of their respective owners.

### 11.5 静电放电警告



这些装置包含有限的内置 ESD 保护。存储或装卸时, 应将导线一起截短或将装置放置于导电泡棉中, 以防止 MOS 门极遭受静电损伤。

### 11.6 Glossary

[SLYZ022](#) — *TI Glossary*.

This glossary lists and explains terms, acronyms, and definitions.

## 12 机械、封装和可订购信息

以下页面包含机械、封装和可订购信息。这些信息是指定器件的最新可用数据。数据如有变更, 恕不另行通知, 且不会对此文档进行修订。如需获取此数据表的浏览器版本, 请查阅左侧的导航栏。

**PACKAGING INFORMATION**

| Orderable Device | Status<br>(1) | Package Type | Package Drawing | Pins | Package Qty | Eco Plan<br>(2) | Lead finish/<br>Ball material<br>(6) | MSL Peak Temp<br>(3) | Op Temp (°C) | Device Marking<br>(4/5) | Samples                 |
|------------------|---------------|--------------|-----------------|------|-------------|-----------------|--------------------------------------|----------------------|--------------|-------------------------|-------------------------|
| DRV8850RGYR      | ACTIVE        | VQFN         | RGY             | 24   | 3000        | RoHS & Green    | NIPDAU                               | Level-2-260C-1 YEAR  | -40 to 85    | DRV8850                 | <a href="#">Samples</a> |
| DRV8850RGYT      | ACTIVE        | VQFN         | RGY             | 24   | 250         | RoHS & Green    | NIPDAU                               | Level-2-260C-1 YEAR  | -40 to 85    | DRV8850                 | <a href="#">Samples</a> |

(1) The marketing status values are defined as follows:

**ACTIVE:** Product device recommended for new designs.

**LIFEBUY:** TI has announced that the device will be discontinued, and a lifetime-buy period is in effect.

**NRND:** Not recommended for new designs. Device is in production to support existing customers, but TI does not recommend using this part in a new design.

**PREVIEW:** Device has been announced but is not in production. Samples may or may not be available.

**OBsolete:** TI has discontinued the production of the device.

(2) **RoHS:** TI defines "RoHS" to mean semiconductor products that are compliant with the current EU RoHS requirements for all 10 RoHS substances, including the requirement that RoHS substance do not exceed 0.1% by weight in homogeneous materials. Where designed to be soldered at high temperatures, "RoHS" products are suitable for use in specified lead-free processes. TI may reference these types of products as "Pb-Free".

**RoHS Exempt:** TI defines "RoHS Exempt" to mean products that contain lead but are compliant with EU RoHS pursuant to a specific EU RoHS exemption.

**Green:** TI defines "Green" to mean the content of Chlorine (Cl) and Bromine (Br) based flame retardants meet JS709B low halogen requirements of <=1000ppm threshold. Antimony trioxide based flame retardants must also meet the <=1000ppm threshold requirement.

(3) MSL, Peak Temp. - The Moisture Sensitivity Level rating according to the JEDEC industry standard classifications, and peak solder temperature.

(4) There may be additional marking, which relates to the logo, the lot trace code information, or the environmental category on the device.

(5) Multiple Device Markings will be inside parentheses. Only one Device Marking contained in parentheses and separated by a "~" will appear on a device. If a line is indented then it is a continuation of the previous line and the two combined represent the entire Device Marking for that device.

(6) Lead finish/Ball material - Orderable Devices may have multiple material finish options. Finish options are separated by a vertical ruled line. Lead finish/Ball material values may wrap to two lines if the finish value exceeds the maximum column width.

**Important Information and Disclaimer:**The information provided on this page represents TI's knowledge and belief as of the date that it is provided. TI bases its knowledge and belief on information provided by third parties, and makes no representation or warranty as to the accuracy of such information. Efforts are underway to better integrate information from third parties. TI has taken and continues to take reasonable steps to provide representative and accurate information but may not have conducted destructive testing or chemical analysis on incoming materials and chemicals. TI and TI suppliers consider certain information to be proprietary, and thus CAS numbers and other limited information may not be available for release.

In no event shall TI's liability arising out of such information exceed the total purchase price of the TI part(s) at issue in this document sold by TI to Customer on an annual basis.





**TAPE AND REEL INFORMATION**

**QUADRANT ASSIGNMENTS FOR PIN 1 ORIENTATION IN TAPE**


\*All dimensions are nominal

| Device      | Package Type | Package Drawing | Pins | SPQ  | Reel Diameter (mm) | Reel Width W1 (mm) | A0 (mm) | B0 (mm) | K0 (mm) | P1 (mm) | W (mm) | Pin1 Quadrant |
|-------------|--------------|-----------------|------|------|--------------------|--------------------|---------|---------|---------|---------|--------|---------------|
| DRV8850RGYR | VQFN         | RGY             | 24   | 3000 | 330.0              | 12.4               | 3.8     | 5.8     | 1.2     | 8.0     | 12.0   | Q1            |
| DRV8850RGYT | VQFN         | RGY             | 24   | 250  | 180.0              | 12.4               | 3.8     | 5.8     | 1.2     | 8.0     | 12.0   | Q1            |

**TAPE AND REEL BOX DIMENSIONS**


\*All dimensions are nominal

| Device      | Package Type | Package Drawing | Pins | SPQ  | Length (mm) | Width (mm) | Height (mm) |
|-------------|--------------|-----------------|------|------|-------------|------------|-------------|
| DRV8850RGYR | VQFN         | RGY             | 24   | 3000 | 346.0       | 346.0      | 33.0        |
| DRV8850RGYT | VQFN         | RGY             | 24   | 250  | 210.0       | 185.0      | 35.0        |

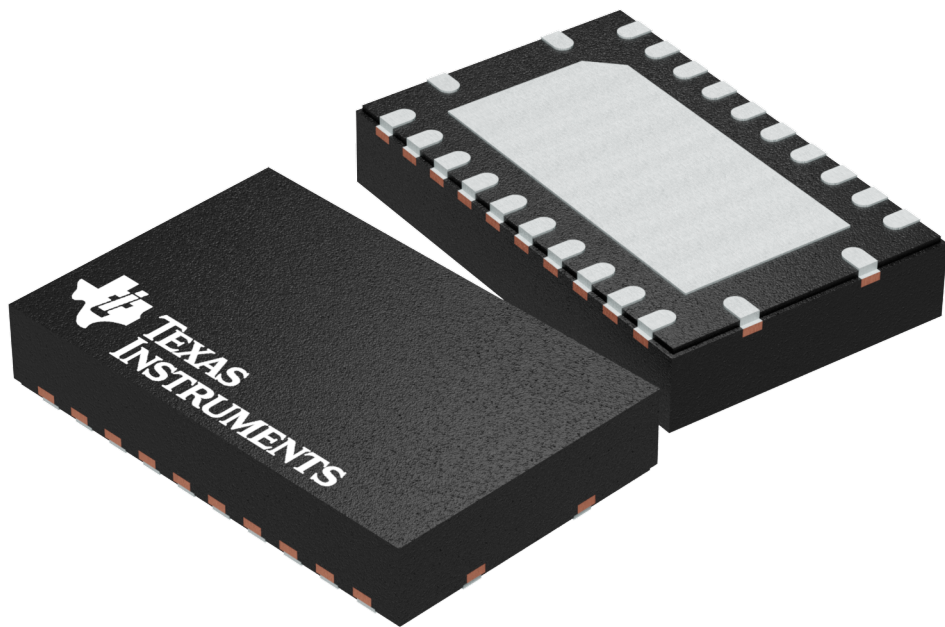
**GENERIC PACKAGE VIEW**

**RGY 24**

**VQFN - 1 mm max height**

**5.5 x 3.5 mm, 0.5 mm pitch**

PLASTIC QUAD FLATPACK - NO LEAD

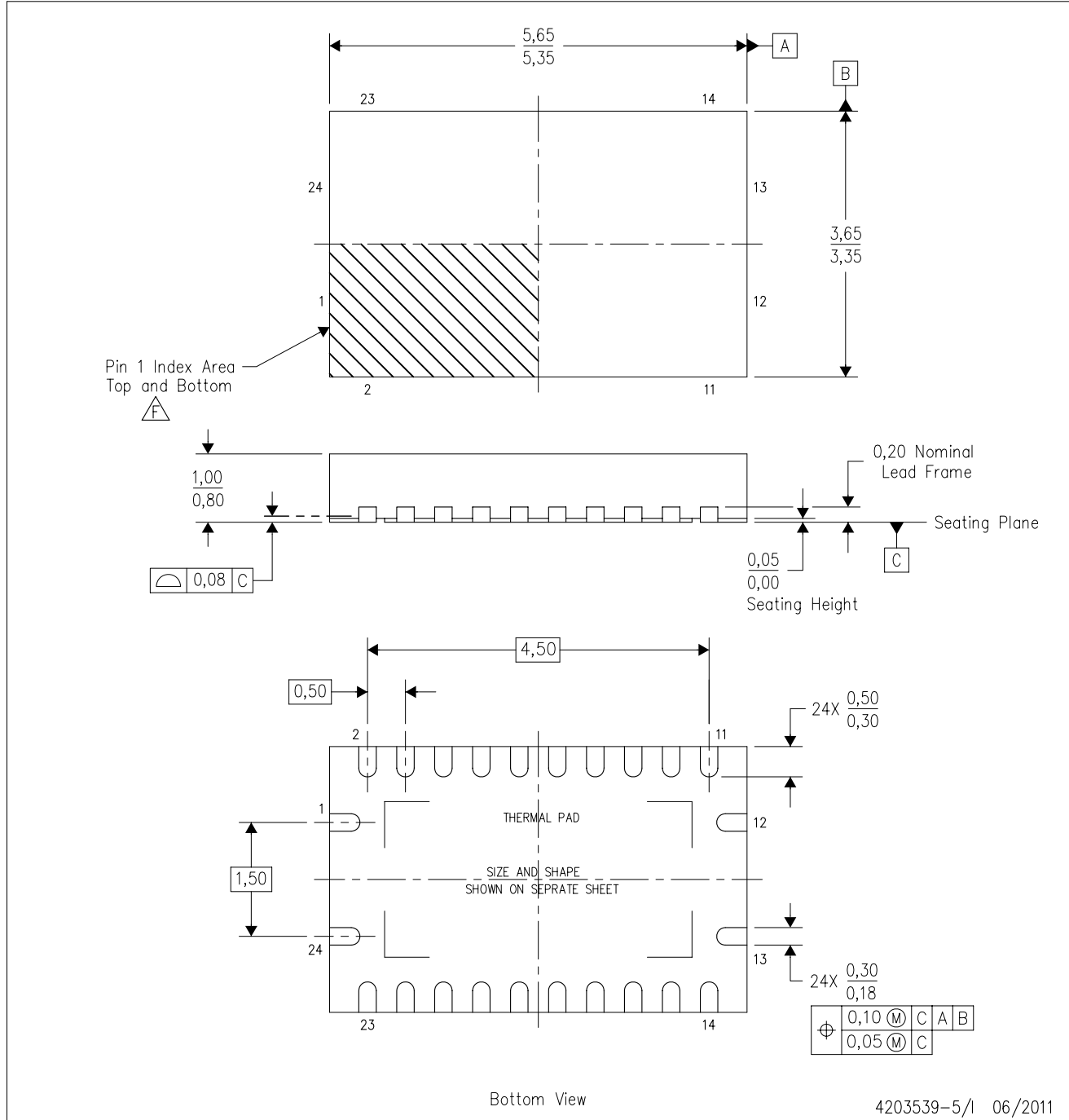


Images above are just a representation of the package family, actual package may vary.  
Refer to the product data sheet for package details.

4203539-5/J

RGY (R-PVQFN-N24)

PLASTIC QUAD FLATPACK NO-LEAD



- NOTES:
- All linear dimensions are in millimeters. Dimensioning and tolerancing per ASME Y14.5M-1994.
  - This drawing is subject to change without notice.
  - QFN (Quad Flatpack No-Lead) package configuration.
  - The package thermal pad must be soldered to the board for thermal and mechanical performance.
  - See the additional figure in the Product Data Sheet for details regarding the exposed thermal pad features and dimensions.
- F** Pin 1 identifiers are located on both top and bottom of the package and within the zone indicated. The Pin 1 identifiers are either a molded, marked, or metal feature.
- Package complies to JEDEC MO-241 variation BA.

RGY (R-PVQFN-N24)

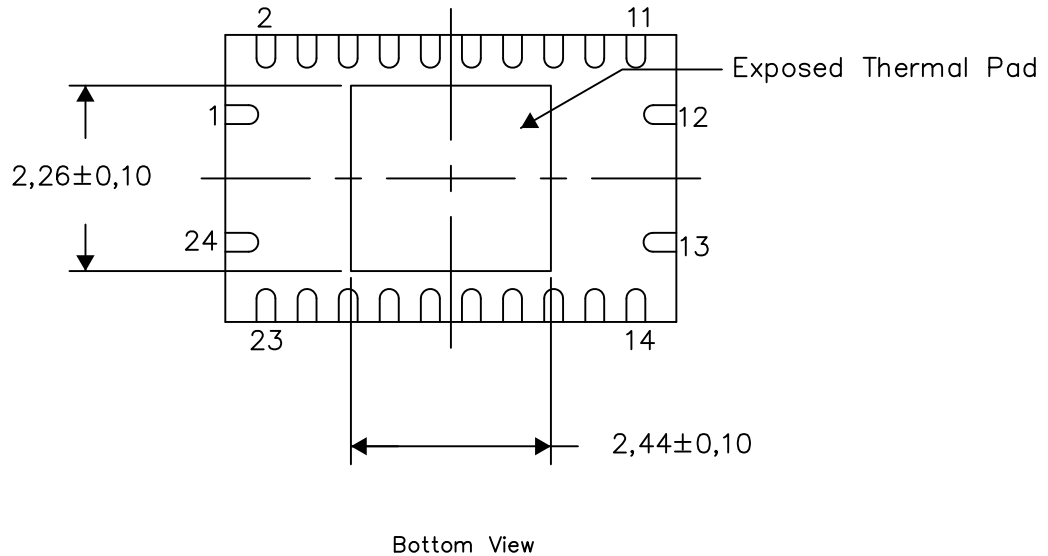
PLASTIC QUAD FLATPACK NO-LEAD

**THERMAL INFORMATION**

This package incorporates an exposed thermal pad that is designed to be attached directly to an external heatsink. The thermal pad must be soldered directly to the printed circuit board (PCB). After soldering, the PCB can be used as a heatsink. In addition, through the use of thermal vias, the thermal pad can be attached directly to the appropriate copper plane shown in the electrical schematic for the device, or alternatively, can be attached to a special heatsink structure designed into the PCB. This design optimizes the heat transfer from the integrated circuit (IC).

For information on the Quad Flatpack No-Lead (QFN) package and its advantages, refer to Application Report, QFN/SON PCB Attachment, Texas Instruments Literature No. SLUA271. This document is available at [www.ti.com](http://www.ti.com).

The exposed thermal pad dimensions for this package are shown in the following illustration.



Exposed Thermal Pad Dimensions

4206353-7/P 03/14

NOTE: All linear dimensions are in millimeters

## 重要声明和免责声明

TI“按原样”提供技术和可靠性数据（包括数据表）、设计资源（包括参考设计）、应用或其他设计建议、网络工具、安全信息和其他资源，不保证没有瑕疵且不做任何明示或暗示的担保，包括但不限于对适销性、某特定用途方面的适用性或不侵犯任何第三方知识产权的暗示担保。

这些资源可供使用 TI 产品进行设计的熟练开发人员使用。您将自行承担以下全部责任：(1) 针对您的应用选择合适的 TI 产品，(2) 设计、验证并测试您的应用，(3) 确保您的应用满足相应标准以及任何其他功能安全、信息安全、监管或其他要求。

这些资源如有变更，恕不另行通知。TI 授权您仅可将这些资源用于研发本资源所述的 TI 产品的应用。严禁对这些资源进行其他复制或展示。您无权使用任何其他 TI 知识产权或任何第三方知识产权。您应全额赔偿因在这些资源的使用中对 TI 及其代表造成的任何索赔、损害、成本、损失和债务，TI 对此概不负责。

TI 提供的产品受 [TI 的销售条款](#) 或 [ti.com](#) 上其他适用条款/TI 产品随附的其他适用条款的约束。TI 提供这些资源并不会扩展或以其他方式更改 TI 针对 TI 产品发布的适用的担保或担保免责声明。

TI 反对并拒绝您可能提出的任何其他或不同的条款。

邮寄地址：Texas Instruments, Post Office Box 655303, Dallas, Texas 75265

Copyright © 2023，德州仪器 (TI) 公司