

LM5170 多相双向电流控制器

1 特性

- 提供功能安全
 - 可帮助进行功能安全系统设计的文档
- 适用于大功率工业双电池系统
 - 高压 (HV) 端口和低压 (LV) 端口的最高额定电压分别为 100V 和 65V
 - 1% 精密双向电流调节
 - 1% 精密通道电流监测
 - 5A 峰值半桥栅极驱动器
 - 借助可堆叠功能支持多相操作
 - 二极管仿真可防止负电流
- 可编程性和灵活性
 - 可编程或自适应死区时间控制
 - 可选择与外部时钟同步的可编程振荡器频率
 - 双通道使能控制输入
 - 模拟和 PWM 电流控制
 - 可编程峰值电流限制
 - 可编程软启动计时器
 - 使用 EN2 进行增相或减相
- 集成保护特性
 - HV 和 LV 端口过压保护
 - 启动时执行 MOSFET 故障检测以及断路器控制
 - 热关断

2 应用

- 电池测试仪
- 双向电池管理系统
- 备用电池供电型转换器
- 可堆叠降压或升压转换器
- 负/正电压转换器

3 说明

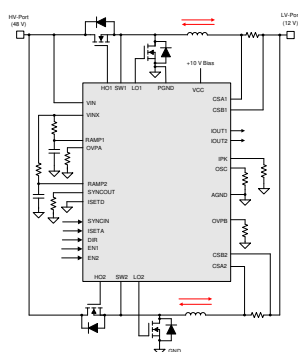
LM5170 控制器提供双通道双向转换器必不可少的高压和精密元件。该器件可按照 DIR 输入信号指定的方向调节高压和低压端口间的平均电流。电流调节水平可通过模拟或数字 PWM 输入以编程方式设定。

双通道差分电流感测传感器和专用通道电流监测计可实现 1% 的典型电流精度。稳定的 5A 半桥栅极驱动器能够驱动功率不低于 500W/通道的并联金属氧化物半导体场效应晶体管 (MOSFET) 开关。同步整流器的二极管仿真模式可避免出现负向电流，但也支持通过非连续操作模式提升轻载效率。通用保护特性包括逐周期电流限制、HV 和 LV 端口过压保护、MOSFET 故障检测和过热保护。

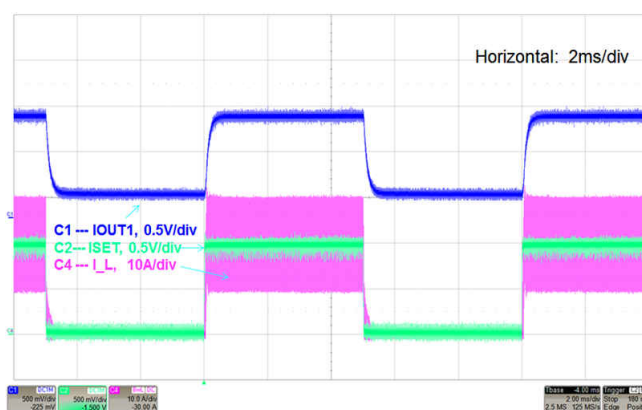
器件信息(1)

器件型号	封装	封装尺寸 (标称值)
LM5170	TQFP (48)	7.00mm × 7.00mm

(1) 如需了解所有可用封装，请参阅数据表末尾的可订购产品附录。



简化版应用电路



通道电流跟踪 ISETA 命令



Table of Contents

1 特性	1	8.5 Programming.....	36
2 应用	1	9 Application and Implementation	39
3 说明	1	9.1 Application Information.....	39
4 Revision History	2	9.2 Typical Application.....	47
5 说明 (续)	2	10 Power Supply Recommendations	59
6 Pin Configuration and Functions	3	11 Layout	60
7 Specifications	6	11.1 Layout Guidelines.....	60
7.1 Absolute Maximum Ratings.....	6	11.2 Layout Examples.....	61
7.2 ESD Ratings.....	6	12 Device and Documentation Support	64
7.3 Recommended Operating Conditions.....	6	12.1 Device Support.....	64
7.4 Thermal Information.....	7	12.2 接收文档更新通知.....	64
7.5 Electrical Characteristics.....	7	12.3 支持资源.....	64
7.6 Typical Characteristics.....	11	12.4 Trademarks.....	64
8 Detailed Description	14	12.5 Electrostatic Discharge Caution.....	64
8.1 Overview.....	14	12.6 术语表.....	64
8.2 Functional Block Diagram.....	15	13 Mechanical, Packaging, and Orderable Information	64
8.3 Feature Description.....	16		
8.4 Device Functional Modes.....	32		

4 Revision History

Changes from Revision A (June 2020) to Revision B (August 2021)	Page
• 更新了整个文档中的表格、图和交叉参考的编号格式.....	1

Changes from Revision * (November 2019) to Revision A (June 2020)	Page
• 向 节 1 添加了功能安全要点.....	1

5 说明 (续)

创新型平均电流模式控制方案可维持恒定环路增益，因此允许使用单一 R-C 网络来补偿升压和降压转换。振荡器频率最高可调节至 500kHz，能够与外部时钟同步。连接两个 LM5170 控制器执行三相或四相操作，或者将多个控制器与相移时钟同步来实现相位更多的操作，进而实现多相并行操作。UVLO 引脚的低电平状态可禁用处于低电流关断模式下的 LM5170。

6 Pin Configuration and Functions

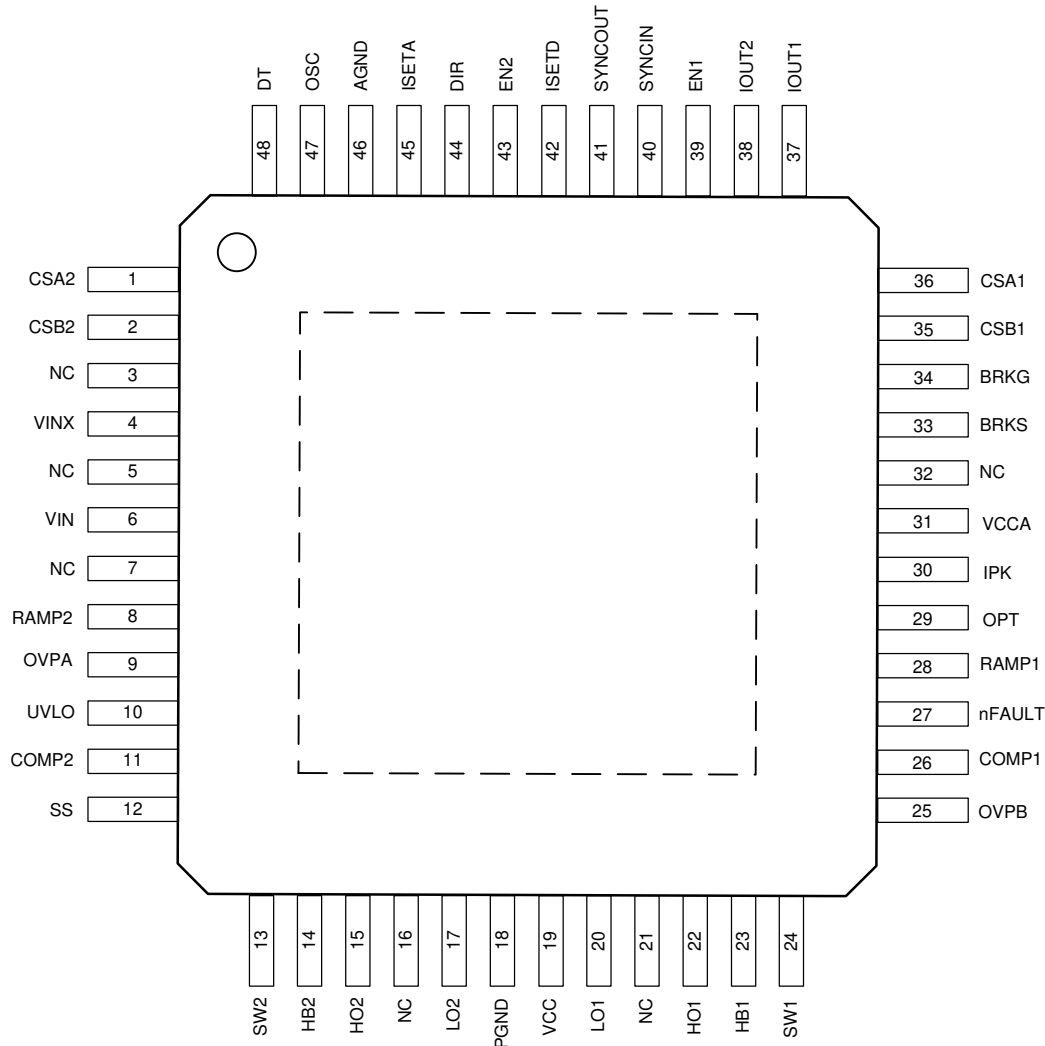


图 6-1. 48-Pin TQFP, PHP Package (Top View)

表 6-1. Pin Functions

PIN		I/O ⁽¹⁾	DESCRIPTION
NO.	NAME		
1	CSA2	I	CH-2 differential current sense inputs. The CSA2 pin connects to the CH-2 power inductor. The CSB2 pin connects to the circuit breaker or directly to the LV-Port if the circuit breaker is not used. The CH-2 current sense resistor is placed between these two pins.
2	CSB2	I	
3	NC	—	No connect
4	VINX	O	Internally connected to VIN the pin through a cutoff switch. When the controller is shut down, VINX is disconnected from VIN, opening the current leakage path. When the controller is enabled, VINX is connected to VIN and serves as the pullup supply for the RC ramp generators at the RAMP1 and RAMP2 pins. VINX also pulls up the OVPA pin through an internal 3-M Ω resistor.
5	NC	—	No connect
6	VIN	I	The input pin connecting to the HV-Port line voltage. It supplies the BRKG pin through an internal 330- μ A current source.
7	NC	—	No connect

表 6-1. Pin Functions (continued)

PIN		I/O ⁽¹⁾	DESCRIPTION
NO.	NAME		
8	RAMP2	I	The inverting input of the CH-2 PWM comparator. An external RC circuit tied between VINX, RAMP2, and AGND forms the ramp generator, producing a ramp signal proportional to the HV-Port voltage, thus achieving a voltage feedforward function. The RAMP2 capacitor voltage is reset to AGND at the end of every switching cycle.
9	OVPA	I	Connected to the non-inverting input of the HV-Port overvoltage comparator. An internal 3-M Ω pullup resistor and an external resistor across the OVPA and AGND pins form a divider that senses the HV-Port voltage. When the OVPA pin voltage is above the 1.185-V threshold, the SS capacitor is discharged and held low until the overvoltage condition is removed.
10	UVLO	I	The UVLO pin serves as the master enable pin. When UVLO is pulled below 1.25 V, the entire LM5170 is in a low quiescent current shutdown mode. When UVLO is pulled above 1.25 V but below 2.5 V, the LM5170 enters the initialization stage where the nFAULT pin is first pulled up to 5 V, while the rest of the LM5170 is kept in the OFF state. When UVLO is pulled above the 2.5 V, the LM5170 enters a MOSFET failure detection stage. If no failure is detected, the circuit breaker gate driver (BRKS and BRKG) turns on, and the LM5170 enables the oscillator and RAMP generator, and stands by until the EN1 and EN2 commands enable the channel.
11	COMP2	O	The output of the CH-2 transconductance (gm) error amplifier and the non-inverting input of the CH-2 PWM comparator. A loop compensation network must be connected to this pin.
12	SS	I	The soft-start programming pin. An external capacitor and an internal 25- μ A current source set the ramp rate of the COMP pins voltage during soft start. If CH-2 is enabled after CH-1 completes soft start, the CH-2 turnon is not controlled by the SS pin.
13	SW2	I	CH-2 switch node. Connect to the CH-2 high-side MOSFET source, the low-side MOSFET drain, and the bootstrap capacitor return terminal.
14	HB2	P	CH-2 high-side gate driver bootstrap supply input
15	HO2	I/O	CH-2 high-side gate driver output
16	NC	—	No connect
17	LO2	I/O	CH-2 low-side gate driver output
18	PGND	G	Power ground connection pin for the low-side gate drivers and external VCC bias supply
19	VCC	I/P	VCC bias supply pin, powering the drivers. An external bias supply between 9 V to 12 V must be applied across the VCC and PGND pins.
20	LO1	I/O	CH-1 low-side gate driver output
21	NC	—	No connect
22	HO1	I/O	CH-1 high-side gate driver output
23	HB1	P	CH-1 high-side gate driver bootstrap supply input
24	SW1	I	CH-1 switch node. Connect to the CH-1 high-side MOSFET source, the low-side MOSFET drain, and the bootstrap capacitor return terminal.
25	OVPB	I	Connected to the non-inverting input of the LV-Port overvoltage comparator. An internal 1-M Ω pullup resistor and an external resistor across the OVPB and AGND pins form the divider that senses the LV-Port voltage. When the converter operates in boost mode, the OVPB pin status is ignored. In buck mode, when the OVPB pin voltage is above the 1.185-V threshold, the SS capacitor is discharged and held low until the overvoltage condition is removed.
26	COMP1	O	Output of the CH-1 transconductance (gm) error amplifier and the non-inverting input of the CH-1 PWM comparator. A loop compensation network must be connected to this pin.
27	nFAULT	I/O	Fault flag pin or external shutdown pin. When a MOSFET drain-to-source short circuit failure is detected before start-up, the nFAULT pin is internally pulled low to report the short-circuit failure. The LM5170 remains in a disabled state. The nFAULT pin can also be externally pulled low to shut down the LM5170, serving as a forced shutdown pin. In forced shutdown, all gate drivers turn off and nFAULT is latched low until the UVLO pin is pulled below 1.25 V to release the latch and initiate a new start-up.
28	RAMP1	I	The inverting input of the CH-1 PWM comparator. An external RC circuit tied between VINX, RAMP1, and AGND forms the ramp generator, producing a ramp signal proportional to the HV-Port voltage. This achieves a voltage feedforward function. The RAMP1 capacitor voltage is reset to AGND at the end of every switching cycle.
29	OPT	I	Multiphase configuration pin. Tied to either VCCA or AGND, the OPT pin sets the phase lag of the SYNCOUT signal corresponding to 4-phase or 3-phase operation, respectively.
30	IPK	I	A resistor connected between IPK and AGND sets the threshold for the cycle-by-cycle current limit comparator.

表 6-1. Pin Functions (continued)

PIN		I/O ⁽¹⁾	DESCRIPTION
NO.	NAME		
31	VCCA	I/P	Analog bias supply pin. Connect VCCA to VCC through an external 25-Ω resistor. A low-pass filter capacitor is required from the VCCA pin to AGND.
32	NC	—	No connect
33	BRKS	O	Connect to the common source of the circuit breaker MOSFET pair. When the circuit breaker function is disabled, simply connect to AGND through a 20-k Ω resistor.
34	BRKG	O	Connect to the gate pins of the circuit breaker MOSFET pair. Once the LM5170 is enabled, an internal 330-μA current source starts to charge the circuit breaker MOSFET gates. The BRKG to BRKS voltage is internally clamped at 12 V.
35	CSB1	I	CH-1 differential current sense inputs. The CSA1 pin connects to the CH-1 power inductor. The CSB1 pin connects to the circuit breaker or directly to the LV-Port if the circuit breaker is not used. The CH-1 current sense resistor is placed between these two current sense pins. An internal 1-MΩ resistor is connected between the CSB1 and OVPB pins through an internal cutoff switch. During operation, the cutoff switch is closed and this internal resistor pulls up the OVPB pins. In shutdown mode, the internal resistor is disconnected by the cutoff switch.
36	CSA1	I	
37	IOUT1	O	CH-1 inductor current monitor pin. A current source proportional to the CH-1 inductor current flows out of this pin. Placing a terminating resistor and filter capacitor from IOUT1 to AGND produces a DC voltage representing the CH-1 DC current level. An internal 25-μA offset DC current source at the IOUT1 pin raises the active signal to be above the ground noise, thus improving the monitor noise immunity.
38	IOUT2	O	CH-2 inductor current monitor pin. A current proportional to the CH-2 inductor current flows out of this pin. Placing a terminating resistor and filter capacitor from IOUT2 to AGND produces a DC voltage representing the CH-2 DC current level. An internal 25-μA offset DC current source at the IOUT2 pin raises the active signal above the ground noise, thus improving the monitor noise immunity.
39	EN1	I	CH-1 enable pin. Pulling EN1 above 2.4 V turns off the SS pulldown and allows CH-1 to begin a soft-start sequence. Pulling EN1 below 1 V discharges the SS capacitor and holds it low. The high- and low-side gate drivers of both channels are held in the low state when SS is discharged.
40	SYNCIN	I	Input for an external clock that overrides the free-running internal oscillator. The SYNCIN pin can be left open or grounded when it is not used.
41	SYNCOUT	O	Clock output pin and fault check mode selector. SYNCOUT is connected to the downstream LM5170 in a 3- or 4-phase configuration. It also functions as a circuit breaker selection pin during start-up. Placing a 10-kΩ resistor from the SYNCOUT to AGND pin disables the fault check feature. If no resistor is connected from SYNCOUT to AGND, the fault check is enabled.
42	ISETD	I	The PWM current programming pin. The inductor DC current level is proportional to the PWM duty cycle. Use either ISETA or ISETD but not both for channel current programming. When ISETD is not used, short ISETD to AGND.
43	EN2	I	CH-2 enable pin. Pulling EN2 above 2.4 V enables CH-2. Pulling EN2 below 1 V shuts down the HO2 and LO2 drivers.
44	DIR	I	Direction command input. Pulling DIR above 2 V sets the converter to buck mode, which commands the current to flow from the HV-Port to LV-Port. Pulling DIR below 1 V sets the converter to boost mode, which commands the current to flow from the LV-Port to HV-Port. If the DIR pin is left open, the LM5170 detects an invalid command and disables both channels with the MOSFET gate drivers in the low state.
45	ISETA	I, O	The analog current programming pin. The inductor DC current is proportional to the ISETA voltage. Use either ISETA or ISETD but not both for channel current programming. When ISETA is not used, connect a 100-pF to 0.1-μF capacitor from ISETA to AGND.
46	AGND	G	Analog ground reference. AGND must connect to PGND externally through a single point connection to improve the LM5170 noise immunity.
47	OSC	I	The internal oscillator frequency is programmed by a resistor between OSC and AGND.
48	DT	I	A resistor connected between DT and AGND sets the dead time between the high-side and low-side driver outputs. Tie the DT pin to VCCA to activate the internal adaptive dead time control.
—	EP	—	Exposed pad of the package. No internal electrical connections. Must be soldered to the large ground plane to reduce thermal resistance.

(1) Note: G = Ground, I = Input, O = Output, P = Power

7 Specifications

7.1 Absolute Maximum Ratings

Over operating free-air temperature range (unless otherwise noted)^{(1) (2)}

		MIN	MAX	UNIT
Voltage	VIN, VINX, to AGND	- 0.3	95	V
	VIN, VINX, to AGND 50-ns Transient		100	
	VIN to VINX	- 0.3	95	
	VIN to VINX 50-ns Transient		100	
	SW1, SW2 to PGND	- 5	95	
	SW1, SW2 to PGND (20-ns Transient)		100	
	SW1, SW2 to PGND (50-ns Transient)	- 16		
	HB1 to SW1, HB2 to SW2	- 0.3	14	
	HO1 to SW1, HO2 to SW2	- 0.3	HB + 0.3	
	HO1 to SW1, HO2 to SW2 (20-ns Transient)	- 1.5		
	LO1, LO2 to PGND	- 0.3	VCC + 0.3	
	LO1, LO2 to PGND (20-ns Transient)	- 1.5		
	BRKG, BRKS, to PGND	- 0.3	65	
	CSA1, CSB1, CSA2, CSB2 to PGND	- 5	65	
	CSA1 to CSB1, CSA2 to CSB2	- 0.3	0.3	
	BRKG to BRKS	- 0.3	14	
	EN1, EN2, DIR, IOU1, IOU2, IPK, ISETA, ISETD, nFAULT, OSC, OVPA, OVPB, SYNCIN, SYNCOUT, UVLO, to AGND	- 0.3	7	
PGND to AGND	- 0.3	0.3		
VCC to PGND, VCCA, DT, OPT, COMP1, COMP2, RAMP1, RAMP2, SS, to AGND	- 0.3	14		
T _J	Operating junction temperature	- 40	150	°C
T _{stg}	Storage temperature	- 55	150	°C

- (1) Stresses beyond those listed under *Absolute Maximum Ratings* may cause permanent damage to the device. These are stress ratings only, which do not imply functional operation of the device at these or any other conditions beyond those indicated under *Recommended Operating Conditions*. Exposure to absolute-maximum-rated conditions for extended periods may affect device reliability.
- (2) For soldering specs, see www.ti.com/packaging.

7.2 ESD Ratings

		VALUE	UNIT
V _(ESD)	Electrostatic discharge	±2000	V
		±500	

- (1) JEDEC document JEP155 states that 500-V HBM allows safe manufacturing with a standard ESD control process.
- (2) JEDEC document JEP157 states that 250-V CDM allows safe manufacturing with a standard ESD control process.

7.3 Recommended Operating Conditions

over operating free-air temperature range (unless otherwise noted)⁽¹⁾

		MIN	NOM	MAX	UNIT
VIN, HV-Port	Buck mode	6		85	V
	Boost mode	6		85	
LV-Port	Buck mode	0		60	V
	Boost mode	3 ⁽²⁾		60	

over operating free-air temperature range (unless otherwise noted)⁽¹⁾

		MIN	NOM	MAX	UNIT
V _{VCC}	External voltage applied to VCC	9		12	V
T _J	Operating junction temperature	- 40		125	°C
F _{OSC}	Oscillator frequency	50		500	kHz
F _{EX_CLK}	Synchronization to external clock frequency (minimal 50 kHz)	0.8 × F _{OSC}		1.2 × F _{OSC}	kHz
t _{DT}	Programmable dead time	15		200	ns
	ISETD PWM frequency	1		1000	kHz
	SYNCIN pulse width	100		500	ns

- (1) *Recommended Operating Conditions* are conditions under which the device is intended to be functional. For specifications and test conditions, see the [Electrical Characteristics](#).
(2) Minimum input voltage in boost mode can be lower than 3 V after start-up, but is limited by the minimum off-time.

7.4 Thermal Information

THERMAL METRIC ⁽¹⁾		LM5170		UNIT
		PHP (TQFP)		
		48 PINS		
R _{θJA}	Junction-to-ambient thermal resistance	25.1		°C/W
R _{θJC(top)}	Junction-to-case (top) thermal resistance	15.6		°C/W
R _{θJB}	Junction-to-board thermal resistance	8.5		°C/W
ψ _{JT}	Junction-to-top characterization parameter	0.2		°C/W
ψ _{JB}	Junction-to-board characterization parameter	8.5		°C/W
R _{θJC(bot)}	Junction-to-case (bottom) thermal resistance	1.1		°C/W

- (1) For more information about traditional and new thermal metrics, see the [Semiconductor and IC Package Thermal Metrics](#) application report.

7.5 Electrical Characteristics

F_{OSC} = 100 kHz; V_{VCC} = 10 V; V_{VIN} = V_{HV-Port} = 48 V and V_{LV-Port} = 12 V, unless otherwise stated.⁽¹⁾

PARAMETER	TEST CONDITIONS	MIN ⁽³⁾	TYP ⁽²⁾	MAX ⁽³⁾	UNIT	
VIN SUPPLY (VIN, VINX)						
I _{SHUTDOWN}	VIN pin current in shutdown mode	V _{UVLO} = 0 V		20	μA	
I _{STANDBY}	VIN pin current, no switching	V _{VCC} > 9 V, V _{UVLO} > 2.5 V, V _{EN1} = V _{EN2} = 0 V	1		mA	
	VIN to VINX disconnect switch	V _{UVLO} < 1 V or V _{VCC} < 7.5 V	5		MΩ	
	VIN to VINX disconnect switch	V _{UVLO} > 2.6 V, V _{VCC} > 9 V	100		Ω	
VCC AND VCCA BIAS SUPPLIES						
V _{CCUVLO}	VCC undervoltage detection	V _{VCC} falling	7.6	8	8.3	V
V _{CCHYS}	VCC UVLO hysteresis	V _{VCC} rising	8.1	8.5	8.9	V
I _{VCC_SD}	VCC sink current in shutdown mode	V _{UVLO} = 0 V		30	μA	
I _{VCC_SB}	VCC sink current in standby: no switching	V _{UVLO} > 2.6 V, V _{EN1} = V _{EN2} = 0 V		10	mA	
MASTER ON/OFF CONTROL (UVLO)						
V _{UVLO_TH}	UVLO release threshold	UVLO voltage rising	2.4	2.5	2.6	V
I _{HYS}	UVLO hysteresis current	UVLO source current when V _{UVLO} > 2.6 V	21	25	29	μA
V _{SD}	UVLO shutdown threshold (IC shutdown)	UVLO voltage falling	1	1.25	1.5	V
	UVLO shutdown release	UVLO voltage rising above V _{SD}	0.15	0.25	0.35	V
t _{UVLO}	UVLO glitch filter time	UVLO voltage falling		2.5		μs
	UVLO internal pulldown current			1		μA
CHANNEL ENABLE INPUTS EN1 AND EN2						
V _{IL}	Enable input low state	Disabled the driver outputs			1	V
V _{IH}	Enable input high state	Enable the driver outputs	2			V

$F_{OSC} = 100 \text{ kHz}$; $V_{VCC} = 10 \text{ V}$; $V_{VIN} = V_{HV-Port} = 48 \text{ V}$ and $V_{LV-Port} = 12 \text{ V}$, unless otherwise stated.⁽¹⁾

PARAMETER	TEST CONDITIONS	MIN ⁽³⁾	TYP ⁽²⁾	MAX ⁽³⁾	UNIT	
Internal pulldown impedance	EN1, EN2 internal pulldown resistor		100		k Ω	
EN glitch filter time (the rising and falling edges)			2		μs	
DIRECTION COMMAND (DIR)						
V_{DIR}	Command for current flowing from LV-Port to HV-Port (boost mode 12 V to 48 V)	Actively pulled low by external circuit		1	V	
	Command for current flowing from HV-Port to LV-Port (buck mode 48 V to 12 V)	Actively pulled high by external circuit	2		V	
	Standby (invalid DIR command)	DIR neither active high nor active low	1.5		V	
	DIR glitch filter	Both rising and falling edges	10		μs	
ISET INPUT (ISETA, ISETD)						
G_{ISETA}	Regulated DC current sense voltage to ISETA voltage	$ V_{CSA} - V_{CSB} = 50 \text{ mV}$	19.7	20	20.3	mV/V
	ISETA internal pulldown resistor			170		k Ω
G_{ISETD}	Conversion ratio of ISETA voltage to ISETD duty cycle	ISETD frequency = 10 kHz, Duty = 100%	30.63	31.25	31.88	mV / %
V_{ISETD_LO}	ISETD PWM signal low-state voltage				1	V
V_{ISETD_HI}	ISETD PWM signal high-state voltage		2			V
	ISETD internal pulldown resistor			100		k Ω
	ISETD internal decoder filter resistor (tied to ISETA pin)			100		k Ω
OUTPUT CURRENT MONITOR (IOUT1, IOUT2)						
G_{IOUT_BK1}	IOUT1 and IOUT2 versus channel current sense voltage, in buck mode	$ V_{CSA} - V_{CSB} = 50 \text{ mV}$, $V_{DIR} > 2 \text{ V}$	4.9	5	5.1	$\mu\text{A/mV}$
G_{IOUT_BST1}	IOUT1 and IOUT2 versus channel current sense voltage, in boost mode	$ V_{CSA} - V_{CSB} = 50 \text{ mV}$, $V_{DIR} < 1 \text{ V}$	4.9	5	5.1	$\mu\text{A/mV}$
G_{IOUT_BK2}	IOUT1 and IOUT2 versus channel current sense voltage, in buck mode	$ V_{CSA} - V_{CSB} = 10 \text{ mV}$, $V_{DIR} > 2 \text{ V}$, $T_J = 25^\circ\text{C}$	4.91	5.18	5.43	$\mu\text{A/mV}$
G_{IOUT_BST2}	IOUT1 and IOUT2 versus channel current sense voltage, in boost mode	$ V_{CSA} - V_{CSB} = 10 \text{ mV}$, $V_{DIR} < 1 \text{ V}$, $T_J = 25^\circ\text{C}$	4.47	4.77	5.1	$\mu\text{A/mV}$
	IOUT1 and IOUT2 DC offset currents	$ V_{CSA} - V_{CSB} = 0 \text{ mV}$	22	25	28	μA
CURRENT SENSE AMPLIFIER (BOTH CHANNELS)						
G_{CS_BK1}	Amplifier output to current sense voltage in buck mode	$ V_{CSA} - V_{CSB} = 50 \text{ mV}$, $V_{DIR} > 2 \text{ V}$	49.25	50	50.75	V/V
G_{CS_BST1}	Amplifier output to current sense voltage in boost mode	$ V_{CSA} - V_{CSB} = 50 \text{ mV}$, $V_{DIR} < 1 \text{ V}$	49.25	50	50.75	V/V
G_{CS_BK2}	Amplifier output to current sense voltage in buck mode	$ V_{CSA} - V_{CSB} = 10 \text{ mV}$, $V_{DIR} > 2 \text{ V}$, $T_J = 25^\circ\text{C}$	49	52	55	V/V
G_{CS_BST2}	Amplifier output to current sense voltage in boost mode	$ V_{CSA} - V_{CSB} = 10 \text{ mV}$, $V_{DIR} < 1 \text{ V}$, $T_J = 25^\circ\text{C}$	45	48	51	V/V
BW_{CS}	Amplifier bandwidth			10		MHz
TRANSCONDUCTION AMPLIFIER (COMP1, COMP2)						
G_m	Transconductance			1		mA/V
I_{COMP}	Output source current limit	$V_{ISETA} = 2.5 \text{ V}$, $ V_{CSA} - V_{CSB} = 10 \text{ mV}$		2		mA
	Output sink current limit	$V_{ISETA} = 0 \text{ V}$, $ V_{CSA} - V_{CSB} = 50 \text{ mV}$		-2		mA
BW_{gm}	Amplifier bandwidth			4		MHz
PWM COMPARATOR						
	COMP to output delay			50		ns
	COMP to PWM offset			1		V
$T_{OFF(min)}$	Minimum OFF time		150	200	250	ns
RAMP GENERATOR (RAMP1 AND RAMP2)						
	RAMP discharge device $R_{DS(on)}$				15	Ω
	Threshold voltage for valid ramp signal		0.6			V
PEAK CURRENT LIMIT (IPK)						
	IPK internal current source		24.375	25	25.625	μA

$F_{OSC} = 100 \text{ kHz}$; $V_{VCC} = 10 \text{ V}$; $V_{VIN} = V_{HV-Port} = 48 \text{ V}$ and $V_{LV-Port} = 12 \text{ V}$, unless otherwise stated.⁽¹⁾

PARAMETER		TEST CONDITIONS	MIN ⁽³⁾	TYP ⁽²⁾	MAX ⁽³⁾	UNIT
IPK _{Buck}	Current sense voltage versus cycle-by-cycle limit threshold voltage given at IPK pin, in buck mode	$R_{IPK} = 40 \text{ k}\Omega$, $V_{DIR} > 2 \text{ V}$	35.8	46	58.9	mV/V
IPK _{Boost}	Current sense voltage versus cycle-by-cycle limit threshold voltage given at IPK pin, in boost mode	$R_{IPK} = 40 \text{ k}\Omega$, $V_{DIR} < 1 \text{ V}$	38.5	48	62.25	mV/V
OVERVOLTAGE PROTECTION (OVPA, OVPB)						
	OVP threshold	OVP voltage rising	1.15	1.185	1.22	V
OVP _{HYS}	OVP hysteresis (falling edge)			100		mV
	OVPA and OVPB glitch filter			5		μs
ROVPA	Internal OVPA pullup resistor	VINX to OVPA impedance		3		M Ω
ROVPB	Internal OVPB pullup resistor	CSB1 to OVPB impedance, $V_{UVLO} > 2.6 \text{ V}$		1		M Ω
OSCILLATOR (OSC)						
	Oscillator frequency 1	$R_{OSC} = 40 \text{ k}\Omega$, SYNCIN open	90	100	110	kHz
	Oscillator frequency 2	$R_{OSC} = 10 \text{ k}\Omega$, SYNCIN open	335	375	410	kHz
V _{OSC}	OSC pin DC voltage			1.25		V
SYNCIN						
V _{SYNIH}	SYNCIN input threshold for high state		2			V
V _{SYNIL}	SYNCIN input threshold for low state				1	V
	Internal pulldown impedance	$V_{SYNCIN} = 2.5 \text{ V}$		100		k Ω
	Delay to establish synchronization	$0.8 \times F_{OSC} < F_{SYNCIN} < 1.2 \times F_{OSC}$		200		μs
SYNCOUT						
V _{SYNOH}	SYNCOUT high state		2.5			V
V _{SYNOL}	SYNCOUT low state				0.4	V
	Sourcing current when SYNCOUT in high state	$V_{SYNCOUT} = 2.5 \text{ V}$		1		mA
	SYNCOUT pulse width		240	300	370	ns
	SYNCOUT phase delay configurations	$V_{OPT} > 2 \text{ V}$		90		Degree
		$V_{OPT} < 1 \text{ V}$		120		
R _{SYNCOUT}	Circuit breaker signature	Use circuit breaker function and fault detection at start-up		OPEN		k Ω
		Do not use circuit breaker function or disable fault detection at start-up		10		
BOOTSTRAP (HB1, HB2)						
V _{HB-UV}	Bootstrap undervoltage threshold	$(V_{HB} - V_{SW})$ voltage rising	5.7	6.5	7.3	V
V _{HB-UV-HYS}	Hysteresis			0.5		V
I _{HB-LK}	Bootstrap quiescent current	$V_{HB} - V_{SW} = 10 \text{ V}$, $V_{HO} - V_{SW} = 0 \text{ V}$			50	μA
HIGH-SIDE GATE DRIVERS (HO1, HO2)						
V _{OLH}	HO low-state output voltage	$I_{HO} = 100 \text{ mA}$		0.1		V
V _{OHH}	HO high-state output voltage	$I_{HO} = -100 \text{ mA}$, $V_{OHH} = V_{HB} - V_{HO}$		0.15		V
	HO rise time (10% to 90% pulse magnitude)	$C_{LD} = 1000 \text{ pF}$		5		ns
	HO fall time (90% to 10% pulse magnitude)	$C_{LD} = 1000 \text{ pF}$		4		ns
I _{OHH}	HO peak source current	$V_{HB} - V_{SW} = 10 \text{ V}$		4		A
I _{OLH}	HO peak sink current	$V_{HB} - V_{SW} = 10 \text{ V}$		5		A
LOW-SIDE GATE DRIVERS (LO1, LO2)						
V _{OLL}	LO low-state output voltage	$I_{LO} = 100 \text{ mA}$		0.1		V
V _{OHL}	LO high-state output voltage	$I_{LO} = -100 \text{ mA}$, $V_{OHL} = V_{VCC} - V_{LO}$		0.15		V
	LO rise time (10% to 90% pulse magnitude)	$C_{LD} = 1000 \text{ pF}$		5		ns
	LO fall time (90% to 10% pulse magnitude)	$C_{LD} = 1000 \text{ pF}$		4		ns
I _{OHL}	LO peak source current			4		A
I _{OLL}	LO peak sink current			5		A
INTERLEAVE PHASE DELAY FROM CH-2 To CH-1 (OPT)						

LM5170

ZHCSKK1B – DECEMBER 2019 – REVISED AUGUST 2021

 $F_{OSC} = 100 \text{ kHz}$; $V_{VCC} = 10 \text{ V}$; $V_{VIN} = V_{HV-Port} = 48 \text{ V}$ and $V_{LV-Port} = 12 \text{ V}$, unless otherwise stated.⁽¹⁾

PARAMETER		TEST CONDITIONS	MIN ⁽³⁾	TYP ⁽²⁾	MAX ⁽³⁾	UNIT
V _{OPTL}	OPT input low state				1	V
V _{OPTH}	OPT input high state		2			V
	HO2 on-time rising edge versus HO1 on-time rising edge, or LO2 on-time rising edge versus LO1 on-time rising edge	V _{OPT} > 2 V for 2, 4, 6, and 8 phases V _{OPT} < 1 V for 3 phases	175 235	180 240	185 245	Degrees
	Internal pulldown impedance			1		MΩ
DEAD TIME (DT)						
t _{DT}	LO falling edge to HO rising edge delay	R _{DT} = 7.5 kΩ		40		ns
t _{DT}	HO falling edge to LO rising edge delay	R _{DT} = 7.5 kΩ		40		ns
V _{DT}	DC voltage level for programming			1.25		V
V _{DT}	DC voltage for adaptive dead time scheme only (short DT to VCCA)			VCCA		V
V _{ADPT}	HO-SW or LO-GND voltage threshold to enable cross output for adaptive dead time scheme	V _{VCC} > 9 V, (V _{HB} - V _{SW}) > 8 V, HO or LO voltage falling		1.5		V
t _{ADPT}	LO falling edge to HO rising edge delay	V _{DT} = V _{VCC}		36		ns
t _{ADPT}	HO falling edge to LO rising edge delay	V _{DT} = V _{VCC}		41		ns
SOFT START (SS)						
I _{SS}	SS charging current source	V _{SS} = 0 V		25		μA
V _{SS-OFFS}	SS to PWM comparator offset	SS - PWM comparator noninverting input		1		V
R _{SS}	SS discharge device R _{DS(on)}	V _{SS} = 2 V		30		Ω
V _{SS-LOW}	SS discharge completion threshold	Once it is discharged by internal logic		0.23		V
DIODE EMULATION						
	Current zero cross threshold	Current sense voltage		0		mV
CKT BREAKER CONTROL (BRKG, BRKS)						
I _{BRKG}	Sourcing current	nFAULT = 5 V, V _{VIN} = 24 V, V _{BRKS} = 12 V	275	330	375	μA
V _{BRK-CLP}	Voltage clamp	nFAULT = 5 V, V _{VIN} = 48 V, V _{BRKS} = 12 V	9		14.5	V
R _{BRK-SINK}	Sinking capability	nFAULT = 0 V		20		Ω
V _{READY}	BRKG to BRKS voltage threshold to indicate readiness for operation	Rising edge	6.5	8.5		V
I _{BRKG-LEAK}	BRKG leakage current	nFAULT = 5 V, V _{VIN} - V _{BRKS} = 0 V, V _{BRKG} - V _{BRKS} = 10 V			20	μA
FAULT ALARM (nFAULT)						
	In normal operation, no fault		4	5		V
	Internal pull-up impedance for normal operation			30		kΩ
	Internal pull-down FET R _{DS(on)} after fault detected				125	Ω
	External pull-down voltage threshold for IC shutdown				1	V
t _{FAULT}	External pulldown glitch filter			2		μs
t _{d1_FAULT}	Delay time of nFAULT pull-down below 1 V to (V _{BRKG} - V _{BRKS}) < 1.5 V				5	μs
t _{d2_FAULT}	Start-up fault detection duration	V _{UVLO} > 2.6 V, V _{VCC} > 9 V			3	ms
THERMAL SHUTDOWN						
T _{SD}	Thermal shutdown			175		°C
T _{SD-HYS}	Thermal shutdown hysteresis			25		°C

- (1) All minimum and maximum limits are specified by correlating the electrical characteristics to process and temperature variations and applying statistical process control.
- (2) Typical values correspond to T_J = 25°C.
- (3) Minimum and maximum limits apply over the -40°C to 125°C junction temperature range.

7.6 Typical Characteristics

$V_{IN} = 48\text{ V}$, $V_{VCC} = 10\text{ V}$, $V_{UVLO} = 3.3\text{ V}$, $T_J = 25^\circ\text{C}$, unless otherwise stated.

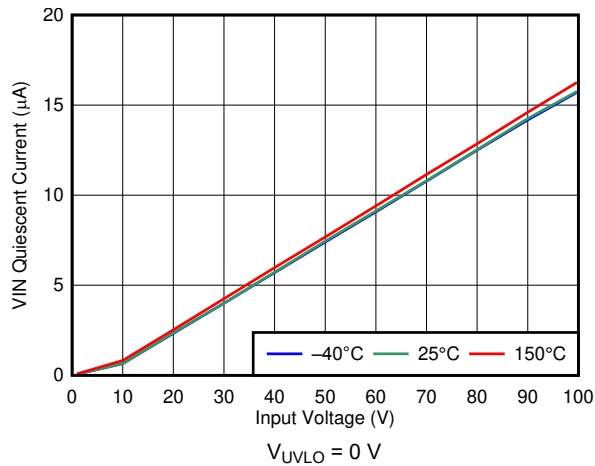


图 7-1. V_{IN} Shutdown I_Q

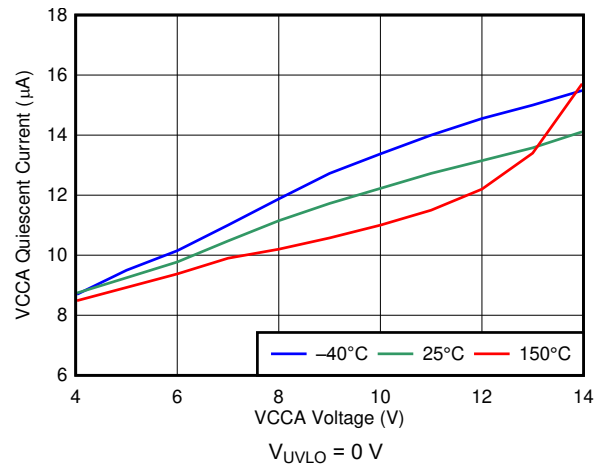


图 7-2. V_{CCA} Shutdown I_Q

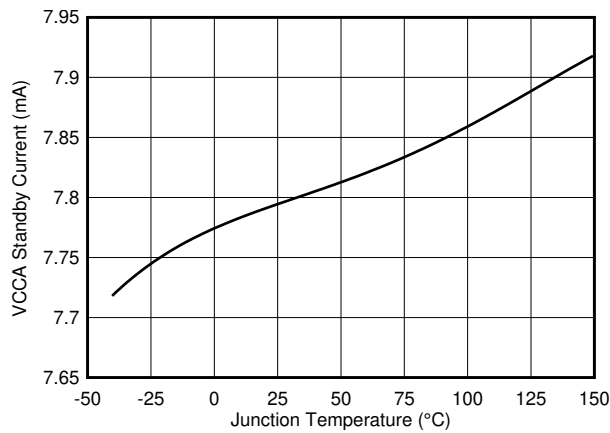


图 7-3. V_{CCA} Standby Current vs Temperature

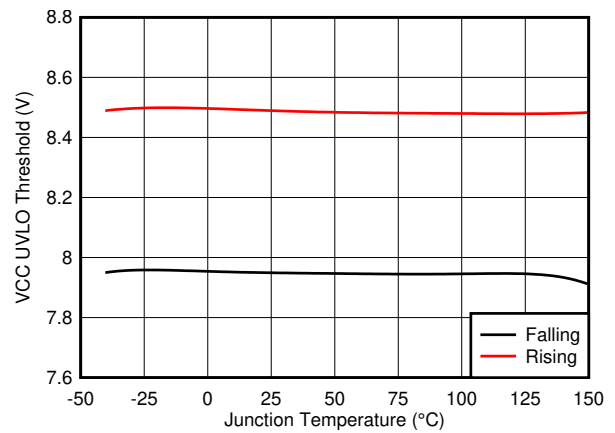
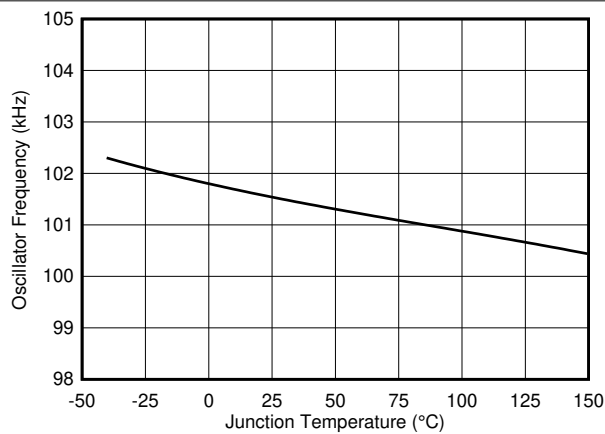


图 7-4. V_{CC} UVLO Threshold vs Temperature



$R_{OSC} = 40.2\text{ k}\Omega$
图 7-5. Oscillator Frequency vs Temperature

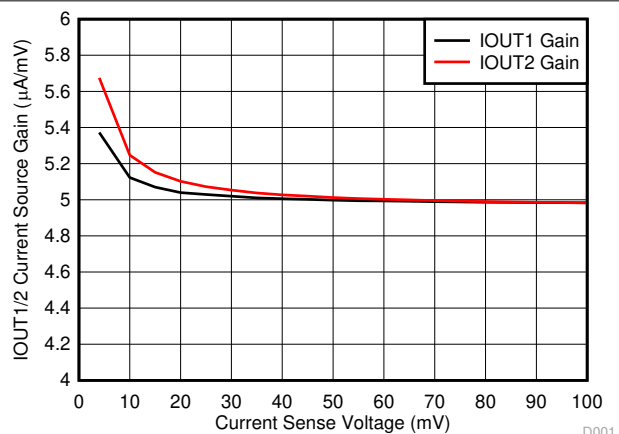


图 7-6. IOUT1 and IOUT2 Current Monitor Accuracy vs V_{CS}

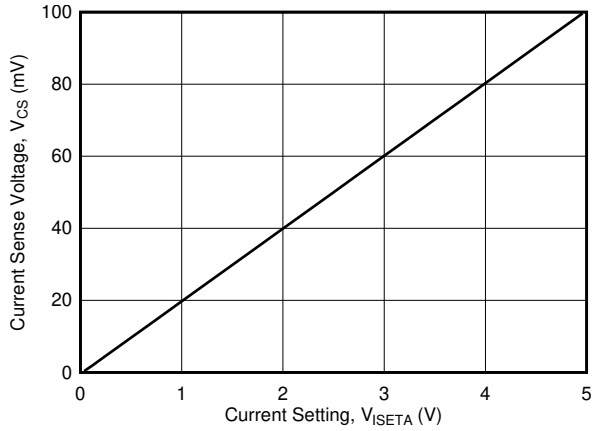


图 7-7. Regulated V_{CS} Voltage vs ISETA Voltage

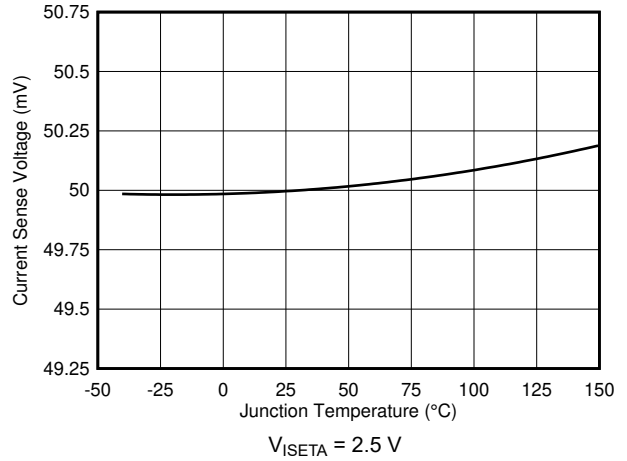


图 7-8. Regulated V_{CS} Voltage vs Temperature
 $V_{ISETA} = 2.5\text{ V}$

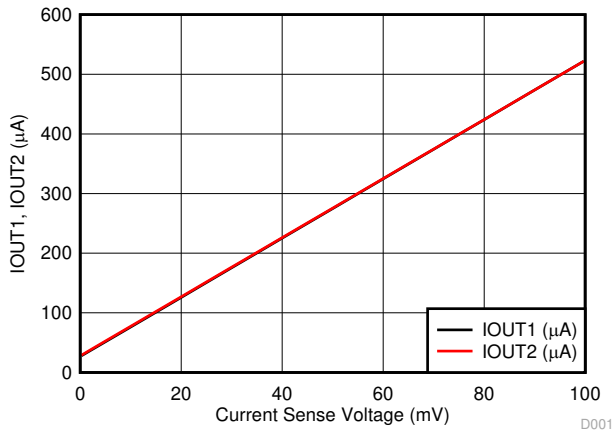


图 7-9. IOUT1 and IOUT2 Current Monitor vs V_{CS} Voltage

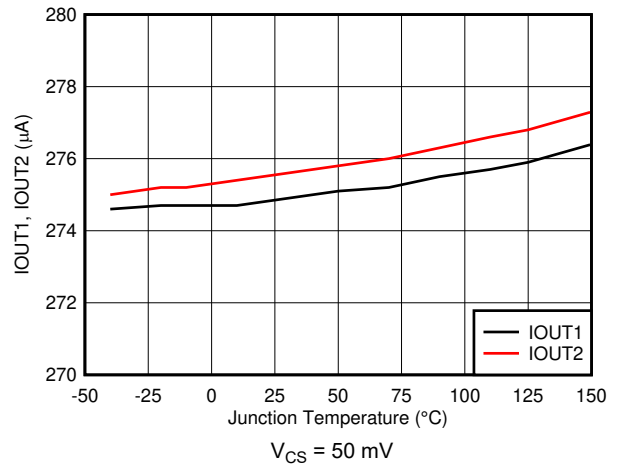


图 7-10. IOUT1 and IOUT2 Current Monitor vs Temperature
 $V_{CS} = 50\text{ mV}$

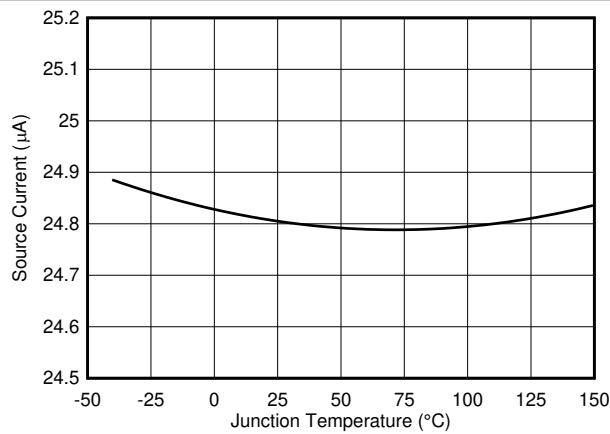


图 7-11. IPK Current Source vs Temperature

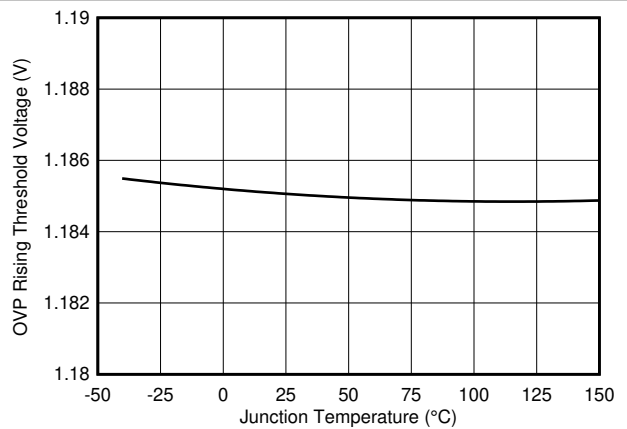


图 7-12. OVP Reference Voltage vs Temperature

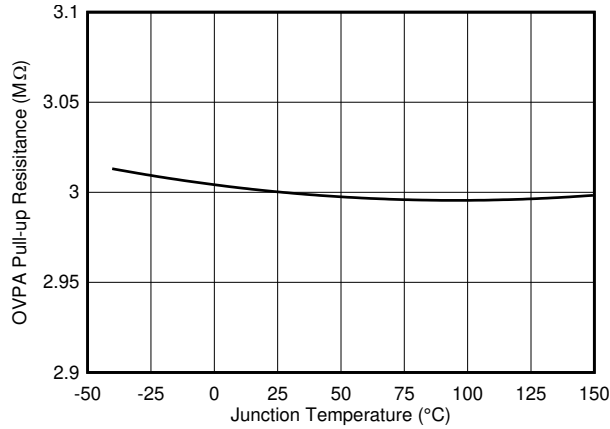


图 7-13. OVPA Pullup Resistance vs Temperature

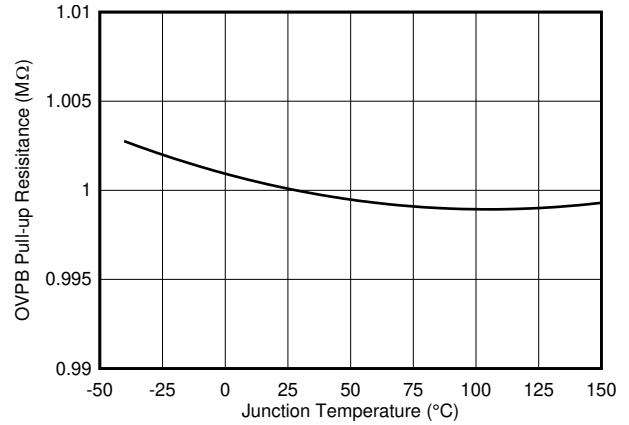


图 7-14. OVPB Pullup Resistance vs Temperature

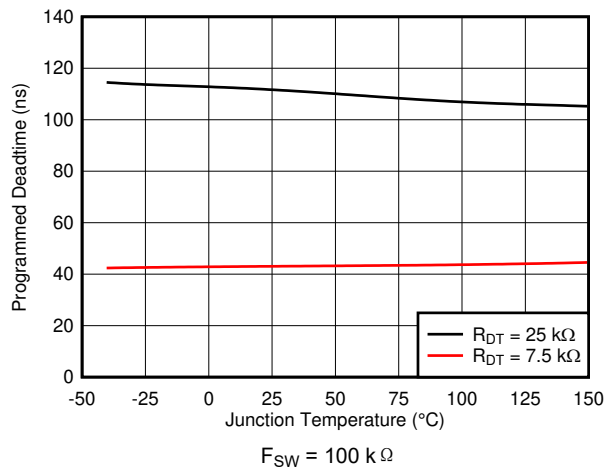


图 7-15. Programmed Dead Time vs Temperature

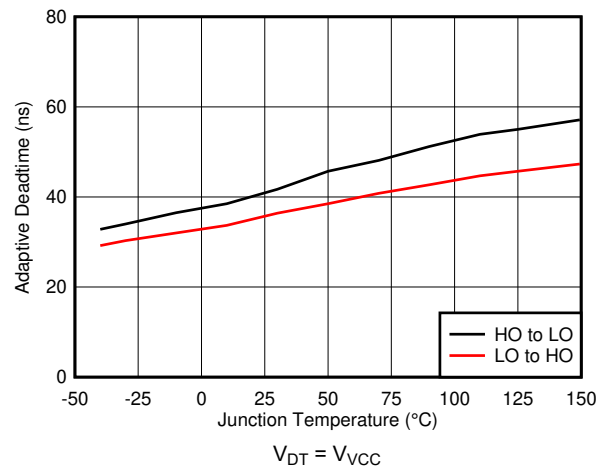


图 7-16. Adaptive Dead Time vs Temperature

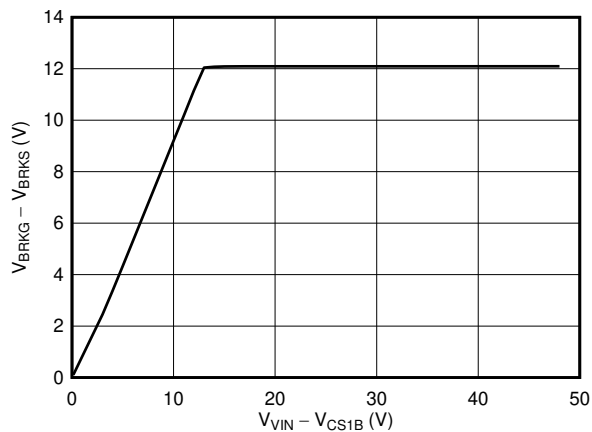


图 7-17. $[V_{BRKG} - V_{BRKS}]$ vs $[V_{VIN} - V_{BRKG}]$ Voltage

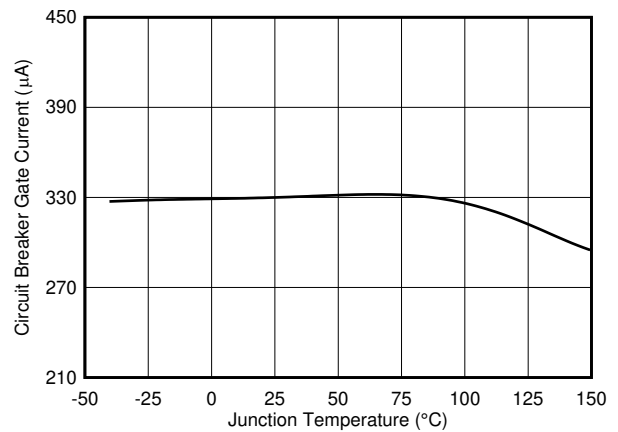


图 7-18. Circuit Breaker Gate Current vs Temperature

8 Detailed Description

8.1 Overview

The LM5170 is a high-performance, dual-channel bidirectional current controller intended to manage current transfer between a Higher Voltage Port (HV-Port) and Lower Voltage Port (LV-Port). It integrates essential analog functions that enable the design of high-power converters with a minimal number of external components. The device regulates DC current in the direction designated by the DIR pin input signal. The current regulation level is programmed by the analog signal applied at the ISETA pin or the digital PWM signal at the ISETD pin. Independent enable signals activate each channel of the dual controller.

The dual-channel differential current sense amplifiers and dedicated channel current monitors achieve typical accuracy of 1%. The robust 5-A half-bridge gate drivers are capable of controlling parallel MOSFET switches, delivering 500 W or more per channel. The diode emulation mode of the buck or boost synchronous rectifiers enables discontinuous mode operation for improved efficiency under light load conditions and prevents negative current. Versatile protection features include:

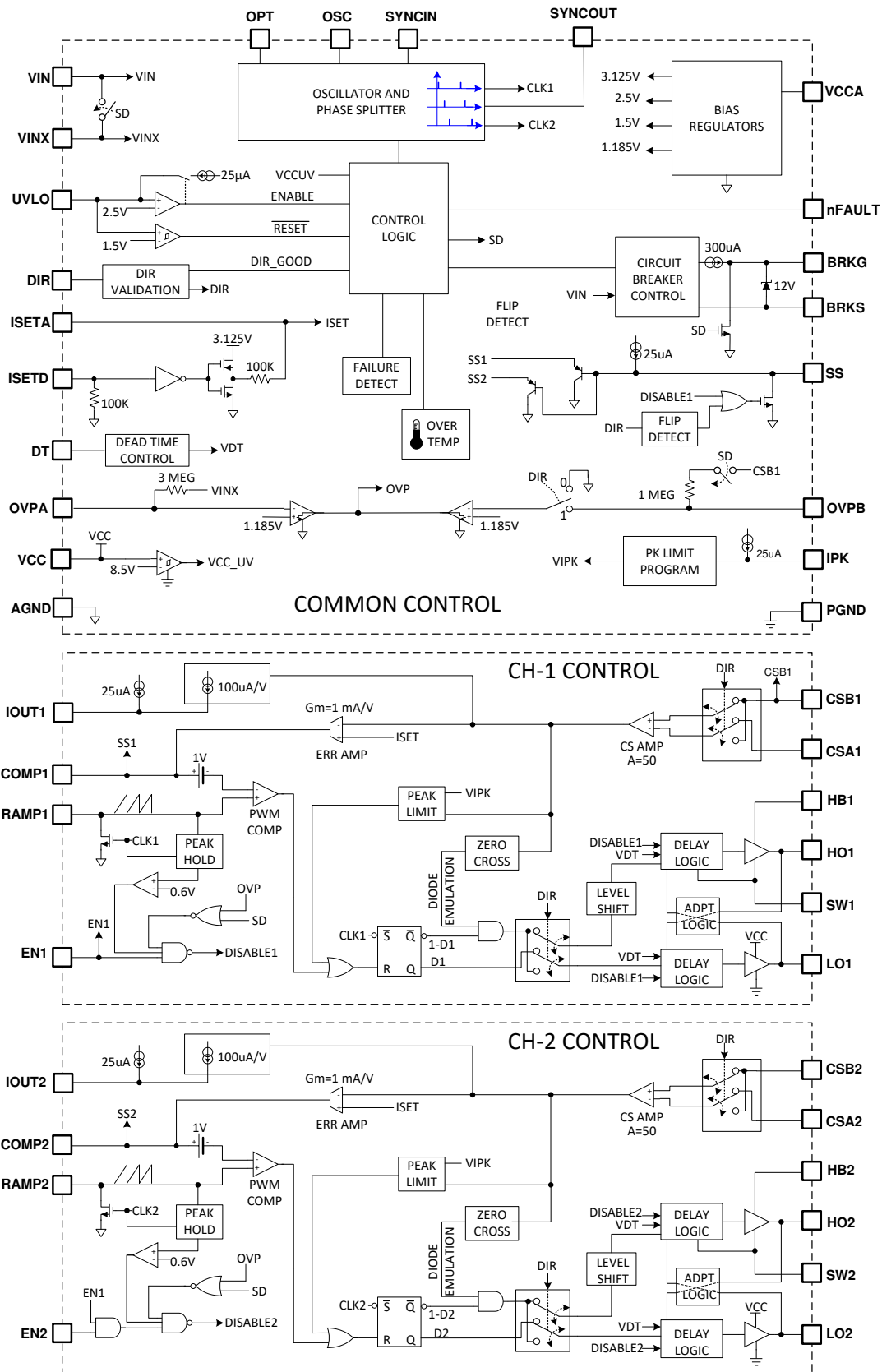
- Cycle-by-cycle peak current limit
- Overvoltage protection of both 48-V and 12-V battery rails
- Detection and protection of MOSFET switch failures
- Overtemperature protection

The LM5170 uses average current mode control, simplifying compensation by eliminating the right-half plane zero in boost operating mode and maintaining a constant loop gain regardless of the operating voltages and load level. The free-running oscillator is adjustable up to 500 kHz and can be synchronized to an external clock within $\pm 20\%$ of the free running oscillator frequency. Stackable multiphase parallel operation is achieved by connecting two LM5170 controllers in parallel for 3- or 4-phase operation. It can also be done by synchronizing multiple LM5170 controllers to external multiphase clocks for a higher number of phases. The UVLO pin provides master ON and OFF control that disables the LM5170 in a low-quiescent current shutdown state when the pin is held low.

Definition of IC Operation Modes:

- **Shutdown Mode:** When the UVLO pin is < 1.25 V, VCC < 8 V, or nFAULT < 1.25 V, the LM5170 is in shutdown mode with all gate drivers in the low state, all internal logic reset, and the VINX pin disconnected from the VIN pin. When UVLO < 1.25 V, the IC draws < 20 μ A through the VIN and VCC pins.
- **Initialization Mode:** When the UVLO pin is > 1.5 V but < 2.5 V, VCC > 8.5 V, and nFAULT > 2 V, the LM5170 establishes proper internal logic states and prepares for circuit operation.
- **Standby Mode:** When the UVLO pin is > 2.5 V, VCC > 8.5 V, and nFAULT > 2 V, the LM5170 first performs fault detection for 2 to 3 ms. During this time, the external power MOSFETs are each checked for drain-to-source short-circuit conditions. If a fault is detected, the LM5170 returns to shutdown mode and is latched in shutdown until reset through the UVLO or VCC pins. If no failure is detected, the LM5170 is ready to operate. The circuit breaker MOSFETs are turned on and the oscillator and ramp generators are activated, but the four gate drive outputs remain off until the EN1 or EN2 initiate the power delivery mode.
- **Power Delivery Mode:** When the UVLO pin > 2.5 V, VCC > 8.5 V, nFAULT > 2 V, EN1 or EN2 > 2 V, DIR is valid (> 2 V or < 1 V), and ISETA > 0 V, the SS capacitor is released and the LM5170 regulates the DC current at the level set at the ISETA pin.

8.2 Functional Block Diagram



8.3 Feature Description

8.3.1 Bias Supply (VCC, VCCA)

The LM5170 requires an external bias supply of 9 V to 12 V at the VCC and VCCA pins to function. If an external supply voltage is greater than 12 V, a 10-V LDO or switching regulator must be used to produce 10 V for VCC and VCCA. [图 8-1](#) shows typical connections of the bias supply. The VCC voltage is directly fed to the low-side MOSFET drivers. A 1- μ F to 2.2- μ F ceramic capacitor must be placed between the VCC and PGND pins to bypass the driver switching currents. The VCCA pin serves as the bias supply input for the internal logic and analog circuits for which the ground reference is the AGND pin. VCCA must be connected to VCC through a 25- Ω to 50- Ω external resistor. A 0.1- μ F to 1- μ F bypass capacitor must be placed between the VCCA and AGND pins to filter out possible switching noise.

The internal VCC undervoltage (UV) detection circuit monitors the VCC voltage. When the VCC voltage falls below 8 V on the falling edge, the LM5170 is held in shutdown state. For normal operation, the VCC and VCCA voltages must be greater than 8.5 V on a rising edge.

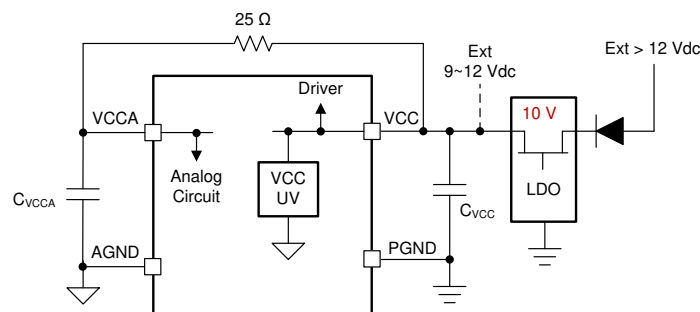


图 8-1. VCC Bias Supply Connections

8.3.2 Undervoltage Lockout (UVLO) and Master Enable or Disable

The UVLO pin serves as the master enable or disable pin. To use the UVLO pin to program undervoltage lockout control for the HV-port, LV-port, or VCC rail, see [# 8.5.2](#).

There are two UVLO voltage thresholds. When the pin voltage is externally pulled below 1.25 V, the LM5170 is in shutdown mode, where the following occurs:

- All gate drivers are in the OFF state
- All internal logic resets
- The VINX pin is disconnected from the VIN pin
- The IC draws less than 20 μ A through the VIN, VCC, and VCCA pins

When the VCC voltage is above the 8.5 V and the UVLO pin voltage is pulled higher than 1.5 V but lower than 2.5 V, the LM5170 is in initialization mode where the nFAULT pin is pulled up to approximately 5 V, but the rest of the LM5170 remain off.

When the UVLO pin is pulled higher than 2.5 V, which is the UVLO release threshold and the master enable threshold, the LM5170 starts the MOSFET failure detection in a period of 2 to 3 ms (see [# 8.3.16](#)). If no failure is detected, the BRKG pin starts to source a 330- μ A current to charge the gates of the breaker MOSFETs.

When the BRKG to BRKS voltage is above 8.5 V, the LM5170 enters standby mode. In standby mode, the VINX pin is internally connected to the VIN pin through an internal cutoff switch (see [图 8-2](#)). Additionally, the internal 1-M Ω OVPB pullup resistor is connected to the CSB1 pin through another internal cutoff switch (see [图 8-18](#)). The oscillator and the RAMP1 and RAMP2 generators start to operate, the SYNCOUT pin starts to send clock pulses at the oscillator frequency, and the LM5170 is ready to operate. The LO1, LO2, HO1, and HO2 drivers remain off until the EN1, EN2, and DIR inputs command them to operate.

When a MOSFET gate-to-source short-circuit failure is detected, the LM5170 is latched off. The latch can only be reset by pulling the VCC pin below 8 V or by pulling the UVLO pin below 1.25 V. For details, see [# 8.3.16](#).

8.3.3 High Voltage Input (VIN, VINX)

图 8-2 shows the external and internal configuration for the VIN and VINX pins. Both are rated at 100 Vdc. The VIN pin must be directly connected either to the voltage rail of the HV-Port, or through a small RC filter consisting of 10- to 20- Ω resistor and 0.1- μ F to 1- μ F bypass capacitor. The VIN pin supplies the internal 330- μ A current source supplying the BRKG pin.

A cutoff switch connects and disconnects the VIN and VINX pins. When the UVLO pin voltage is greater than 2.5 V, and when the VCC voltage is greater than 8.5 V, the switch is closed and the VINX and VIN pins are connected.

The VINX pin serves as the supply pin for the RAMP generators (see 图 8-2 and 节 8.3.9 for details). It is also the high-side terminal of the internal 3-Meg Ω pullup resistor for the OVPA pin (see 节 8.3.17 for details). Moreover, it serves as the HV-Port voltage sense for internal circuit use during operation.

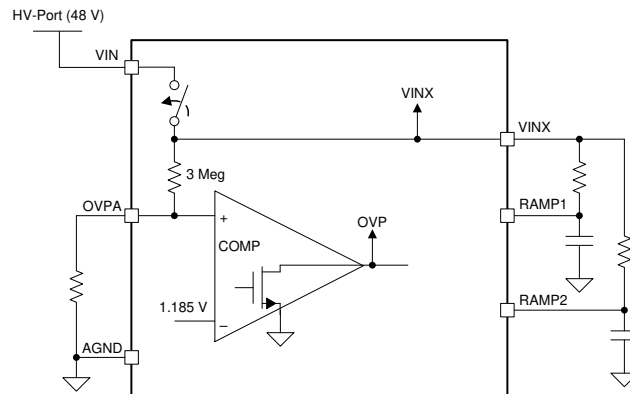


图 8-2. VIN and VINX Pins Configuration

8.3.4 Current Sense Amplifier

Each channel of the LM5170 has an independent bidirectional, high accuracy, and high-speed differential current sense amplifier. The differential current sense polarity is determined by the DIR command. The amplifier gain is 50, so that a smaller current sense resistor can be used to reduce power dissipation. The amplified current sense signal is used to perform the following functions:

- Applied to the inverting input of the error amplifier for current loop regulation
- Used to reconstruct the channel current monitor signal at the IOOUT1 and IOOUT2 pins
- Monitored by the cycle-by-cycle peak current limit comparator for instantaneous overcurrent protection
- Sensed by the current zero cross detector to operate the synchronous rectifiers in diode emulation mode

The current sense resistor R_{cs} must be selected for 50-mV current sense voltage when the channel DC current reaches the rated level. The CS1A, CS1B, CS2A, and CS2B pins must be Kelvin connected for accurate sensing.

It is very important that the current sense resistors are non-inductive. Otherwise, the sensed current signals are distorted even if the parasitic inductance is only a few nH. Such inductance may not affect the current regulation during continuous conduction mode, but it does affect current zero cross detection, hence the performance of diode emulation mode under light load. As a consequence, the synchronous rectifier gate pulse is truncated much earlier than the inductor current zero crossing. This causes the body diode of the synchronous rectifier to conduct unnecessarily for a longer time. See 节 8.3.15 for details.

If the selected current sense resistor has parasitic inductance. See 节 9.1 for methods to compensate for this condition and achieve optimal performance.

8.3.5 Control Commands

8.3.5.1 Channel Enable Commands (EN1, EN2)

These pins are two-state function pins. Always use CH-1 if only single-channel operation is required. Note that CH-2 can only be enabled when CH-1 is also enabled.

1. When the EN1 pin voltage is pulled above 2 V (logic state of 1), the HO1 and LO1 outputs are enabled through soft start.
2. When the EN1 pin voltage is pulled below 1 V (logic state of 0), CH-1 controller is disabled and both HO1 and LO1 outputs are turned off.
3. Similar behaviors for EN2, HO2, and LO2 of CH-2, except that the EN2 pin does not affect the SS pin. Refer to [Figure 8.3.10](#) for details.
4. When the EN1 and EN2 pins are left open, an internal 100-k Ω pulldown resistor sets them to the low state.
5. The built-in 2- μ s glitch filters prevent errant operation due to the noise on the EN1 and EN2 signals.

8.3.5.2 Direction Command (DIR)

This pin is a triple function pin.

1. When the DIR pin is actively pulled above 2 V (logic state of 1), the LM5170 operates in buck mode, and current flows from the HV-Port to the LV-Port.
2. When the DIR pin is actively pulled below 1 V (logic state of 0), the LM5170 operates in boost mode, and current flows from the LV-Port to the HV-Port.
3. When the DIR pin is in the third state that is different from the previous two, it is considered an invalid command and the LM5170 remains in standby mode regardless of the EN1 and EN2 states. This tri-state function prevents faulty operation when losing the DIR signal connection to the MCU.
4. When DIR changes state between 1 and 0 dynamically during operation, the transition causes the SS pin to discharge first to below 0.23 V. Then, the SS pin pulldown is released and the LM5170 goes through a new soft-start process to produce the current in the new direction. This eliminates surge current during the direction change.
5. The built-in 10- μ s glitch filter prevents errant operation by noise on the DIR signal.

8.3.5.3 Channel Current Setting Commands (ISETA or ISETD)

The LM5170 accepts the current setting command in the form of either an analog voltage or a PWM signal. The analog voltage uses the ISETA pin, and the PWM signal uses the ISETD pin. There is an internal ISETD decoder that converts the PWM duty ratio at the ISETD pin to an analog voltage at the ISETA pin. Owing to possible ground noise impact, TI recommends to remove EN1 signal to achieve no load (0 A).

[Figure 8-3](#) and [Figure 8-4](#) show the pin configurations for current programming with an analog voltage or a PWM signal. The channel DC current is expressed in terms of resulted differential current sense voltage V_{CS_dc} . When ISETA is used, the ISETD pin can be left open or connected to AGND. When ISETD is used, place ceramic capacitor C_{ISETA} between the ISETA pin and AGND. C_{ISETA} and the internal 100 k Ω at the output of the ISETD decoder forms a low-pass RC filter to attenuate the ripple voltage on ISETA. However, the RC filter delays the ISETD dynamic change to be reflected on ISETA. To limit the delay to not exceed T_{delay_ISETD} , the time constant of the RC filter must satisfy [Equation 1](#).

$$100 \text{ k}\Omega \times C_{ISETA} \leq \frac{T_{delay_ISETD}}{4} \quad (1)$$

Therefore, the maximum C_{ISETA} must be determined by [Equation 2](#):

$$C_{ISETA} \leq \frac{T_{delay_ISETD}}{4 \times 100 \text{ k}\Omega} \quad (2)$$

On the other hand, the time constant of the RC filter must be big enough for effective filtering. To attenuate the ripple by 40 dB, the RC filter corner frequency must be at least two decade below F_{ISETD} , that is, [Equation 3](#)

$$\frac{1}{2\pi \times 100 \text{ k}\Omega \times C_{\text{ISETA}}} \leq 0.01 \times F_{\text{ISETD}} \quad (3)$$

Therefore the minimum ISETD signal frequency must be determined by 方程式 4:

$$F_{\text{ISETD}} \geq \frac{1}{2\pi \times 1 \text{ k}\Omega \times C_{\text{ISETA}}} \geq \frac{400}{2\pi \times T_{\text{delay_ISETD}}} \quad (4)$$

For instance, if ISETA is required to settle down to the steady-state in 1 ms following an ISETD duty ratio step change, namely $T_{\text{delay_ISETD}} < 1 \text{ ms}$, select $C_{\text{ISETA}} < 2.5 \text{ nF}$, and $F_{\text{ISETD}} > 64 \text{ kHz}$. If $T_{\text{delay_ISETD}} < 0.1 \text{ ms}$, then $C_{\text{ISETA}} < 250 \text{ pF}$ and $F_{\text{ISETD}} > 640 \text{ kHz}$. Note that the feedback loop property causes additional delay for the actual current to settle to the new regulation level.

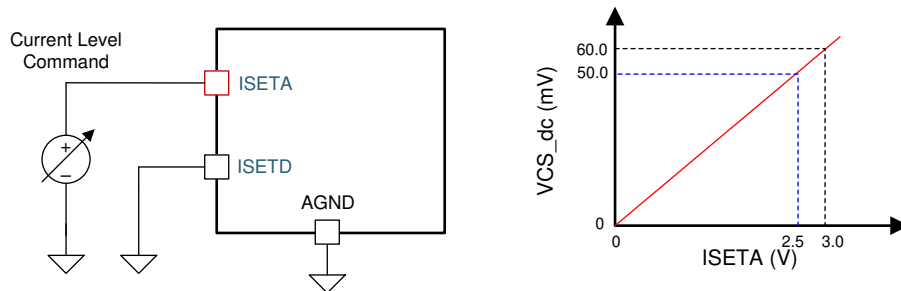


图 8-3. Pin Configurations for Current Setting Using an Analog Voltage Signal

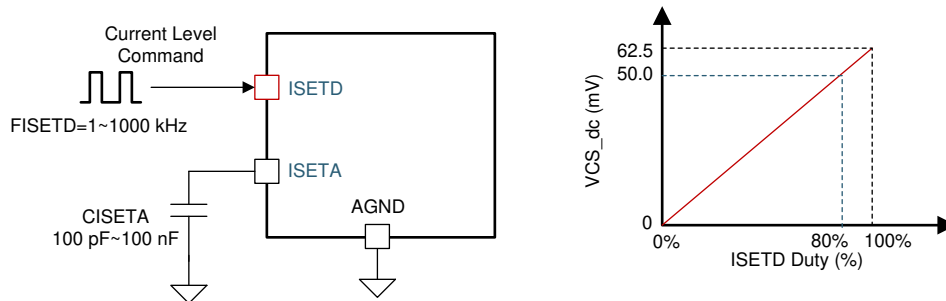


图 8-4. Pin Configurations for Current Setting Using a PWM Signal

The ISETA pin is directly connected to the non-inverting input of the error amplifier. By ISETA programming, the channel DC current is determined by 方程式 5:

$$V_{\text{CS_dc}} = 0.02 \times V_{\text{ISETA}} \quad (5)$$

Or by 方程式 6:

$$I_{\text{channel_dc}} = \frac{V_{\text{CS_dc}}}{R_{\text{cs}}} \quad (6)$$

Or by 方程式 7:

$$I_{\text{channel_dc}} = \frac{0.02 \times V_{\text{ISETA}}}{R_{\text{cs}}} \quad (7)$$

where

- R_{cs} is the channel current sensing resistor value

When using ISETD, the produced V_{ISETA} by the internal decoder is equal to the product of the effective duty ratio of the ISETD PWM signal (D_{ISETD}) and the 3.125-V internal reference voltage. The channel current is determined by 方程式 8:

$$I_{V_{ISETA}} = 3.125 \text{ V} \times D_{ISETD} \quad (8)$$

Or by 方程式 9:

$$V_{CS_{dc}} = 0.0625 \text{ V} \times D_{ISETD} \quad (9)$$

Or by 方程式 10:

$$I_{\text{channel_dc}} = \frac{0.0625 \text{ V} \times D_{ISETD}}{R_{cs}} \quad (10)$$

8.3.6 Channel Current Monitor (IOUT1, IOUT2)

The LM5170 monitors the real time inductor current in each channel at the IOUT1 and IOUT2 pins. The channel current is converted to a small current source scaled by the factors seen in 方程式 11 and 方程式 12:

$$IOUT1 = \frac{V_{CS1}}{200 \Omega} + 25 \mu\text{A} \quad (11)$$

$$IOUT2 = \frac{V_{CS2}}{200 \Omega} + 25 \mu\text{A} \quad (12)$$

where

- V_{CS1} and V_{CS2} are the real time current sense voltage of CH-1 and CH-2, respectively
- 25 μA is a DC offset current superimposed on to the IOUT signals (refer to 图 8-5)

The DC offset current is introduced to raise the no-load signal above the possible ground noise floor. Since the monitor signal is in the form of current, an accurate reading can be obtained across a termination resistor even if the resistor is located far from the LM5170 but close to the MCU, thus rejecting potential ground differences between the LM5170 and the MCU. 图 8-6 shows a typical channel current monitor through a 9.09-K Ω termination resistor and a 10-nF to 100-nF ceramic capacitor in parallel. The RC network converts the current monitor signal into a DC voltage proportional to the channel DC current. For example, when the current sense voltage DC component is 50 mVdc, namely $V_{CS_{dc}} = 50 \text{ mV}$, the termination RC network produces a DC voltage of 2.5 V. Note that the maximum IOUT pin voltage is internally clamped to approximately 4 V.

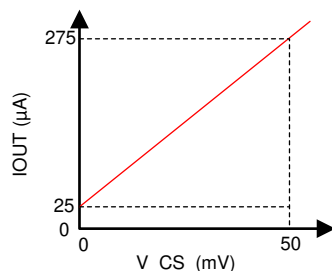


图 8-5. Channel Monitor Current Source Versus Current Sense Voltage

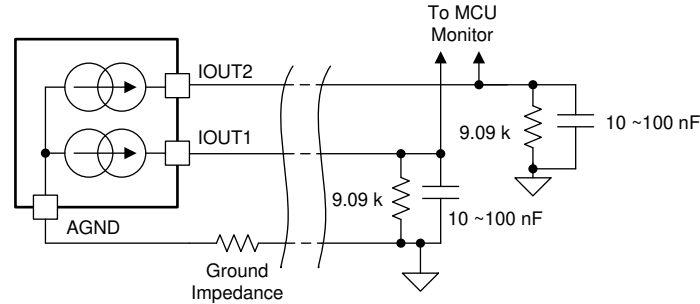


图 8-6. Channel Current Monitor

8.3.7 Cycle-by-Cycle Peak Current Limit (IPK)

The internal 25- μ A current source and a single external resistor R_{IPK} establish a voltage at the IPK pin to program the cycle-by-cycle current limit threshold. To set the inductor peak current limit value to I_{PK} , R_{IPK} must satisfy 方程式 13:

$$R_{IPK} = \frac{R_{CS} \times I_{PK}}{1.1 \mu A} \quad (13)$$

I_{PK} must be greater than the inductor peak current at full load, and lower than the rated saturation current of the inductor, I_{sat} .

When the IPK pin voltage is greater than 4.5 V, either from a very large R_{IPK} value or the pin being open or some other reason, an internal monitor circuit shuts down the switching. This prevents the LM5170 from operating with erroneous peak current limit threshold.

8.3.8 Error Amplifier

Each channel of the LM5170 has an independent gm error amplifier. The output of the error amplifier is connected to the COMP pin, allowing the loop compensation network to be applied between the COMP pins and AGND.

The LM5170 control loop is the inner current loop of the bidirectional converter system, of which the outer voltage loop can either be controlled by an MCU, a DSP, an FPGA, and so forth, or by an analog circuit. Since the LM5170 employs the averaged current mode control scheme, the inner loop is basically a first order system. As seen in 图 8-7, a Type-II compensation network consisting of R_{COMP} , C_{COMP} , and C_{HF} is adequate to stabilize the LM5170 inner current loop. Refer to 节 9.1 for details of the compensation network selection criteria.

8.3.9 Ramp Generator

Refer to 图 8-7 for the following:

- Circuit block diagram for the ramp generator
- gm error amplifier
- PWM comparator
- Soft-start control circuit

The VINX pin serves as the supply pin for the ramp generator. Each ramp generator consists of an external RC circuit (R_{RAMP} and C_{RAMP}) and an internal pulldown switch controlled by the clock signal.

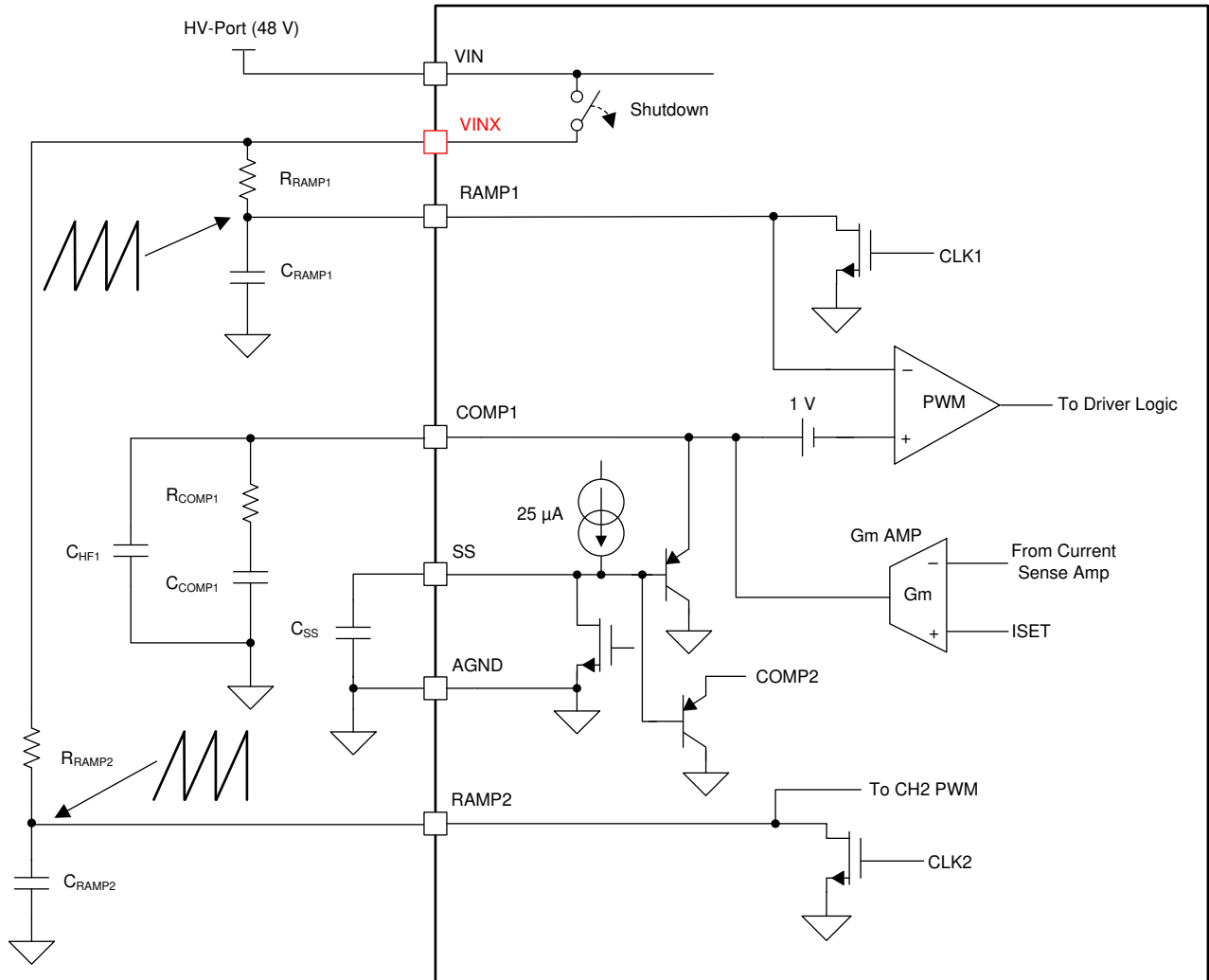


图 8-7. Error Amplifier, Ramp Generator, Soft Start, and PWM Comparator

When the LM5170 is enabled, $C_{RAMP1/2}$ is charged by the VINX pin through $R_{RAMP1/2}$ at the beginning of each switching cycle. The internal pulldown FET discharges $C_{RAMP1/2}$ at the end of the cycle within a 200-ns interval. Then the pulldown is released, and $C_{RAMP1/2}$ repeats the charging and discharging cycles. In general, the RAMP RC time constant is much greater than the period of a switching cycle. Therefore, the RAMP pin voltages are sawtooth signals with a slope proportional to the HV-Port voltage. This way, the RAMP signals convey the line voltage info. Being directly used by the PWM comparators to determine the instantaneous switching duty cycles, the RAMP signals fulfill the line voltage feedforward function and enable the LM5170 to have a fast response to line transients.

Note

TI recommends you to select appropriate R_{RAMP} and C_{RAMP} values by the following equation such that the RAMP pins reach the peak value of approximately 5 V each cycle when VIN is at 48 V.

$$R_{RAMP} = \frac{9.6}{F_{SW} \times C_{RAMP}} \quad (14)$$

For instance, if $F_{SW} = 100$ kHz and $C_{RAMP1} = C_{RAMP2} = 1$ nF, a resistor of approximately 96 k Ω must be selected for R_{RAMP1} and R_{RAMP2} .

Because $C_{RAMP1/2}$ must be fully discharged every cycle through the 15- Ω channel resistor of the pulldown FET within the 150-ns minimum discharging interval, $C_{RAMP1/2}$ must be limited to be less than 2.5 nF nominal at room temperature.

There is also a valid RAMP signal detection circuit for each channel to prevent the channel from errantly running into the maximum duty cycle if RAMP goes away. It detects the peak voltage of the RAMP signal. If the peak voltage is less than 0.6 V in consecutive cycles, it is considered an invalid RAMP and the channel stops switching by turning both HO and LO off until the RAMP signal recovers. This 0.6-V voltage threshold defines the minimum operating voltage of the HV-Port to be approximately 5.76 V.

8.3.10 Soft Start

The soft-start feature helps the converter to gradually reach the steady-state operating point, thus reducing start-up stresses and surge currents. With the LM5170, there are two ways to implement the soft start.

8.3.10.1 Soft-Start Control by the SS Pin

Place a ceramic capacitor C_{SS} between the SS pin and AGND to program the soft-start time. When the EN1 voltage is < 1 V, an internal pulldown switch holds the SS pin at AGND. When the EN1 pin voltage is > 2 V, the SS pulldown is released, and C_{SS} is charged up slowly by the internal 25- μ A current source. See [Figure 8-7](#). The slow ramping SS voltage clamps the COMP1 and COMP2 pins through two separate clamp circuits. Once the SS voltage exceeds the 1-V offset voltage, the PWM duty cycle starts to increase gradually from zero.

When EN1 is pulled below 1 V, C_{SS} is discharged by the internal pulldown FET. Once this pulldown FET is turned on, it remains on until the SS voltage falls below 0.23 V, which is the threshold voltage indicating the completion of SS discharge.

Note that the EN2 pin does not affect the SS pin. When EN1 and EN2 are enabled together, the CH-2 output follows CH-1 by going through the same soft-start process. If EN2 is enabled at a later time and CH-1 has already completed soft start, CH-2 is not affected by the SS pin. This allows the CH-2 current to ramp up quickly to supply the increased load current. However, when SS is pulled low, both CH-1 and CH-2 are affected at the same time.

8.3.10.2 Soft Start by MCU Through the ISET Pin

The MCU can control the soft start by gradually ramping up the ISETA voltage or the ISETD PWM duty ratio, whichever is applicable. When ISETA or ISETD is used to control the soft start, C_{SS} must be properly selected to a value such that it does not interfere with the ISETA/D soft start.

8.3.10.3 The SS Pin as the Restart Timer

The SS pin also fulfills the function of a restart timer in an OVP event or following a DIR command change:

1. Restart timer in OVP: When OVPA or OVPB catches an overvoltage event (refer to [Section 8.3.17](#)), C_{SS} is discharged immediately by the internal pulldown FET. This FET remains ON as long as the overvoltage condition persists. When the overvoltage condition is removed and after the SS voltage is discharged to below 0.23 V, the SS pulldown is released, setting off a new soft-start cycle. The circuit can run in retry or hiccup mode if the overvoltage condition reappears. The retry frequency is determined by the SS capacitor as well as the nature of the overvoltage condition.
2. Restart timer: When DIR dynamically flips its state from 0 to 1, or 1 to 0 during operation, C_{SS} is first discharged to 0.23 V by the internal pulldown FET. Then, the pulldown is released to set off a new soft-start cycle to gradually build up the channel current in the new direction. In this way, the channel current overshoot is eliminated.

8.3.11 Gate Drive Outputs, Dead Time Programming, and Adaptive Dead Time (HO1, HO2, LO1, LO2, DT)

Each channel of the LM5170 has a robust 5-A (peak) half bridge driver to drive external N-channel power MOSFETs. As shown in [Figure 8-8](#), the low-side drive is directly powered by VCC, and the high-side driver by the bootstrap capacitor C_{BT} . During the on-time of the low-side driver, the SW pin is pulled down to PGND and C_{BT} is charged by VCC through the boot diode D_{BT} . TI recommends selecting a 0.1- μ F or larger ceramic capacitor for C_{BT} , and an ultra-fast diode of 1 A and 100-V ratings for D_{BT} . TI also strongly recommends you add a 2- Ω to

5- Ω resistor (R_{BT}) in series with D_{BT} to limit the surge charging current and improve the noise immunity of the high-side driver.

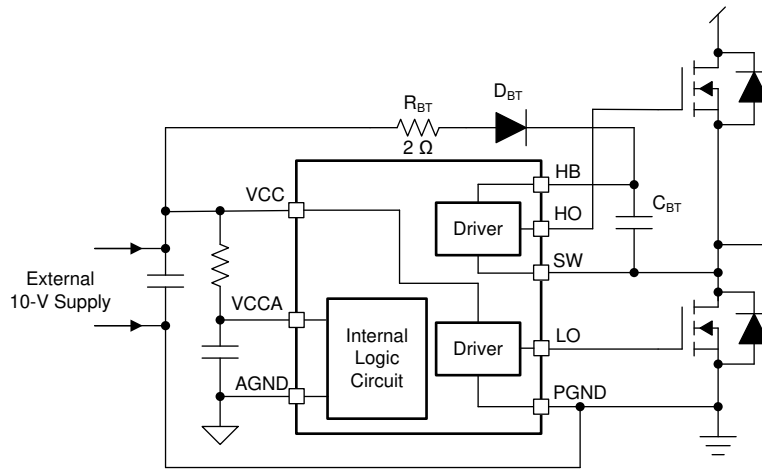


图 8-8. Bootstrap Circuit for High-Side Bias Supply

During start-up in buck mode, C_{BT} may not be charged initially. The LM5170 then holds off the high-side driver outputs (HO1 and HO2) and sends LO pulses of 200-ns width in consecutive cycles to pre-charge C_{BT} . When the boot voltage is greater than the 6.5-V boot UV threshold, the high-side drivers output PWM signals at the HO1 and HO2 pins for normal switching action.

During start-up in boost mode, C_{BT} is naturally charged by the normal turnon of the low-side MOSFET, therefore, there is no such 200-ns pre-charge pulse at the LO pins.

To prevent shoot-through between the high-side and low-side power MOSFETs on the same half bridge leg, two types of dead time schemes can be chosen with the DT pin: the programmable dead time or built-in adaptive dead time.

To program dead time, place a resistor R_{DT} across the DT and AGND pins as shown in 图 8-9.

The dead time t_{DT} as depicted in 图 8-10 is determined by 方程式 15:

$$t_{DT} = R_{DT} \times 4 \frac{\text{ns}}{\text{k}\Omega} + 16 \text{ ns} \quad (15)$$

Note that this equation is valid for programming t_{DT} between 20 ns and 250 ns. When the power MOSFET is connected to the gate drive, its gate input capacitance C_{ISS} becomes a load of the gate drive output. Additionally, the HO and LO slew rate are reduced, leading to a reduced effective t_{DT} between the high- and low-side MOSFETs. Evaluate the effective t_{DT} to make sure it is adequate to prevent shoot-through between the high- and low-side MOSFETs.

When the DT programmability is not used, simply connect the DT pin to VCC as shown in 图 8-11 to activate the built-in adaptive dead time. The adaptive dead time is implemented by real time monitoring of the output of a driver (either HO or LO) by the other driver (LO or HO) of the same half bridge switch leg, as shown in 图 8-11 and 图 8-12. Only when the output voltage of the driver falls below 1.25 V, the other driver starts turnon. The effectiveness of adaptive dead time is greatly reduced if a series gate resistor is used, or if the PCB traces of the gate drive have excessive impedance due to poor layout design.

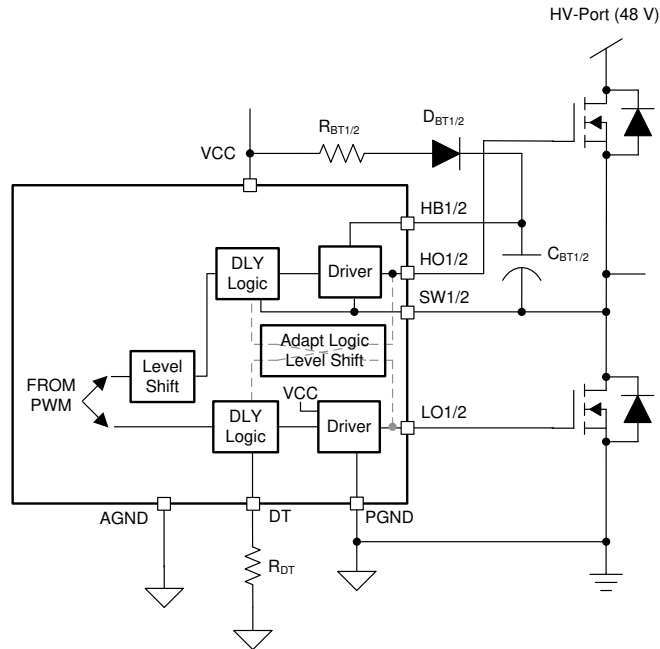


图 8-9. Dead Time Programming With DT Pin (Only One Channel is Shown)

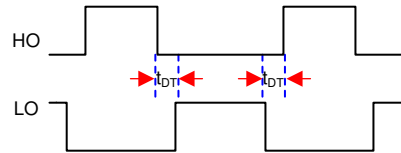


图 8-10. Gate Drive Dead Time (Only One Channel is Shown)

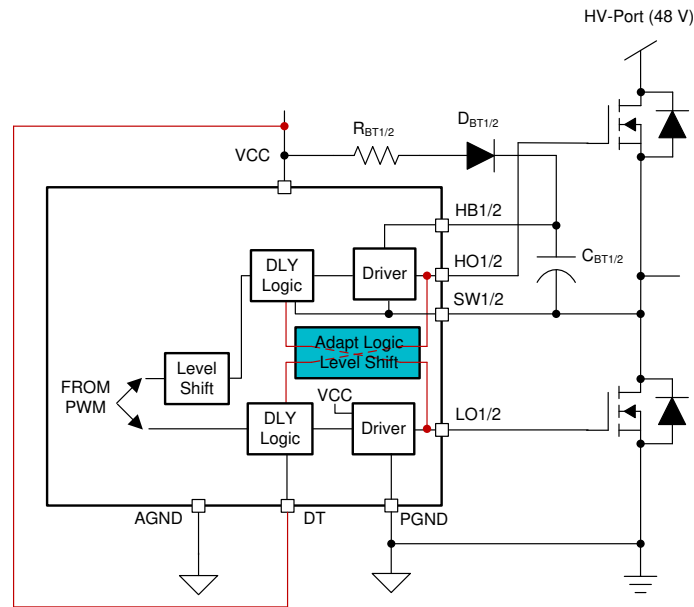


图 8-11. Dead Time Programming With DT Pin (Only One Channel is Shown)

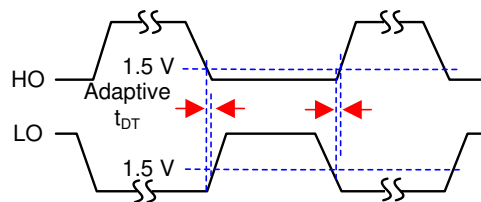


图 8-12. Adaptive Dead Time (Only One Channel is Shown)

8.3.12 PWM Comparator

Each channel of the LM5170 has a pulse width modulator (PWM) employing a high-speed comparator. It compares the RAMP pin signal and the COMP pin signal to produce the PWM duty cycle. Note that the COMP signal passes through a 1-V DC offset before it is applied to the PWM comparator, as shown in 图 8-7. Due to this DC offset, the duty cycle can reduce to zero when the COMP pin or SS pin is pulled lower than 1 V. The maximum duty cycle is limited by the 200-ns minimum off-time. Note that the programmed dead time can reduce the maximum duty cycle because it is additional to the minimum off-time. Therefore, the available maximum duty cycle, for both buck and boost mode operation, is determined by 方程式 16.

$$D_{\text{MAX}} = 1 - (200 \text{ ns} + t_{\text{DT}}) \times F_{\text{SW}} \quad (16)$$

where

- t_{DT} is the dead time given by (15) or the adaptive dead time, whichever is applicable

This maximum duty cycle limits the minimum voltage step-down ratio in buck mode operation and the maximum step-up ratio in boost mode operation.

Note that the maximum COMP voltage is clamped at approximately 1.5 V higher than the RAMP peak voltage. This prevents the COMP voltage from moving too far above the RAMP voltage which can cause longer recovery time during a large scale upward step load response.

8.3.13 Oscillator (OSC)

The LM5170 oscillator frequency is set by the external resistor R_{OSC} connected between the OSC pin and AGND, as shown in 图 8-13. The OSC pin must never be left open whether or not an external clock is present. To set a desired oscillator frequency F_{OSC} , R_{OSC} is approximately determined by 方程式 17:

$$R_{OSC} = \frac{40 \text{ k}\Omega \times 100 \text{ kHz}}{F_{OSC}} \quad (17)$$

R_{OSC} must be placed as close as possible to the OSC and AGND pins. Take the tolerance of the external resistor and the frequency tolerance indicated in the *Electrical Characteristics* into account when determining the worst case operating frequency.

The LM5170 also includes a Phase-Locked Loop (PLL) circuit to manage multiphase interleaving phase angle and synchronization to the external clock applied at the SYNCIN pin. When no external clock is present, the converter operates at the oscillator frequency given by 方程式 17. If an external clock signal of a frequency within $\pm 20\%$ of F_{SW} is applied (see 节 8.3.14), the converter switches at the frequency of the external clock F_{EX_CLK} , namely 方程式 18:

$$F_{SW} = \begin{cases} F_{OSC} & \text{(in Standalone)} \\ F_{EX_CLK} & \text{(in Synchronization)} \end{cases} \quad (18)$$

Two internal clock signals CLK1 and CLK2 are produced to control the interleaving operation of CH-1 and CH-2, respectively. The third clock signal is output at the SYNCOUT pin. All these three clock signals run at the same frequency of F_{SW} . The phase angles among these three clock signals are controlled by the state of the OPT pin. See 节 8.4.1 for details.

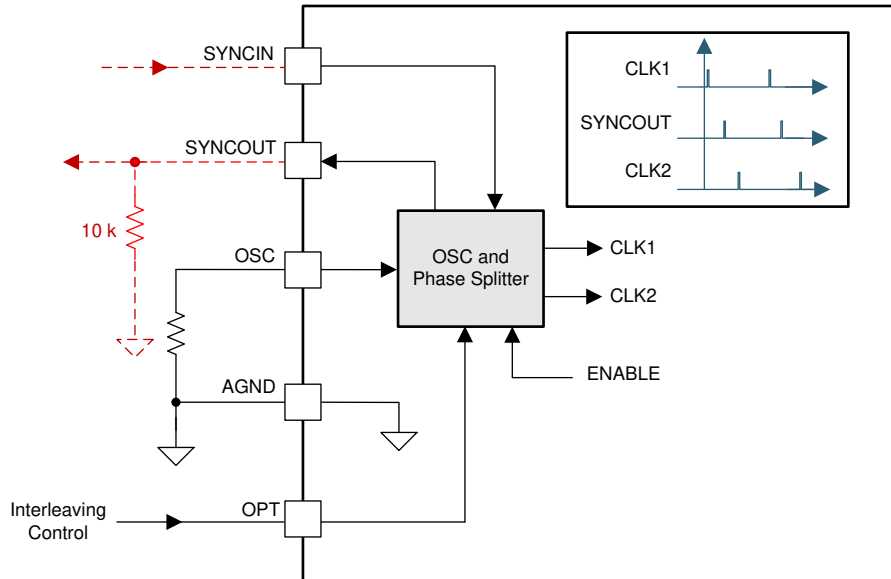


图 8-13. Oscillator and Interleaving Clock Programming

8.3.14 Synchronization to an External Clock (SYNCIN, SYNCOUT)

The LM5170 can synchronize to an external clock if F_{EX_CLK} is within $\pm 20\%$ of F_{OSC} . The SYNCIN clock pulse width must be between 100 ns to 500 ns, with a high voltage level $> 2 \text{ V}$ and low voltage level $< 1 \text{ V}$.

F_{EX_CLK} can be adjusted dynamically. However, the LM5170 PLL takes approximately 500 μs to settle down to the newly asserted frequency. During the PLL transient, the instantaneous F_{SW} can temporarily drop by 25%. To avoid overstress during the transient, TI recommends you reduce the load current to less than 50% by lowering

the ISETA voltage or ISETD duty, or simply turn off the dual-channels by setting EN1 = EN2 = 0 when making an the external clock change.

8.3.15 Diode Emulation

The LM5170 has a built-in diode emulation function. Each channel has a real time current zero crossing detector to monitor instantaneous V_{CS} . When V_{CS} is detected to cross zero, the LM5170 turns off the gate drive of the synchronous rectifier to prevent negative current. This way, the negative current is prevented and the light load efficiency is improved. 图 8-14 shows key waveforms of a typical operation transiting into diode emulation mode.

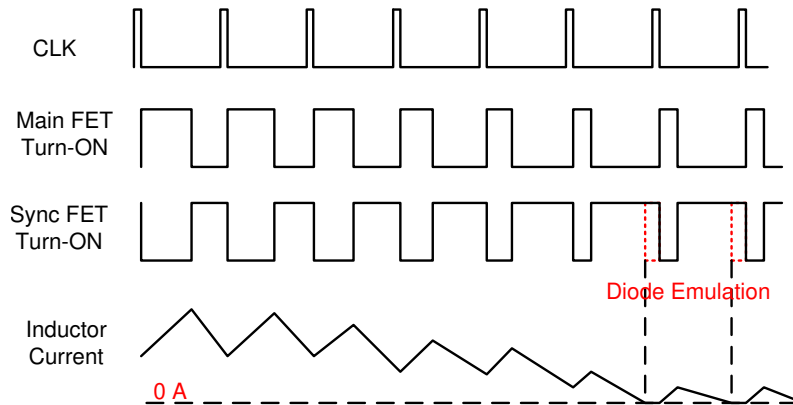


图 8-14. Diode Emulation Operation

To obtain optimal diode emulation performance, it requires the V_{CS} signal to be accurate in real time. Any signal distortion caused by parasitic inductances in the current sense resistor or sensing traces can lead to erroneous zero crossing detection and cause non-optimal diode emulation operation. The sync FET can be turned off while the current is still high in the positive direction. See 节 9.1 for coping with current sense parasitic inductances for optimal diode emulation operation.

8.3.16 Power MOSFET Failure Detection and Failure Protection (nFAULT, BRKG, BRKS)

The LM5170 includes a circuit to detect a MOSFET switch short-circuit failure during start-up. If a MOSFET drain and source are found shorted, the LM5170 pulls down the nFAULT pin to flag the fault, and the controller remains in an OFF state. This feature prevents the LM5170 from starting with a short-circuit-failed MOSFET, thereby preventing catastrophic failures.

The LM5170 also integrates a control circuit to control the circuit breaker. As shown in 图 8-15, the circuit breaker consists of a pair of back-to-back MOSFETs. When the breaker is off, the current path between the HV-Port and LV-Port is cut-off so as to prevent possible catastrophic failures.

Note

The failure detection function must be deactivated if the circuit breaker is not present, or if the circuit breaker FETs are not controlled by the LM5170.

8.3.16.1 Failure Detection Selection at the SYNCOUT Pin

Depending on application preference, the failure detection function can be activated or deactivated by the SYNCOUT pin. During start-up, the LM5170 first detects the external resistor attached to the SYNCOUT pin. To enable the failure detection function, do not place resistor between the SYNCOUT and AGND pins (refer to 图 8-15 or 图 8-16).

To disable the failure detection function, place a 10-k Ω resistor between the SYNCOUT and AGND pins, as shown in 图 8-17, and the LM5170 skips the 2- to 3-ms interval of MOSFET failure detection. Instead, it activates standby mode in approximately 300 μ s after VCC is above 8.5 V and UVLO is greater than 2.5 V. If the circuit breaker is not present or not controlled by the LM5170, do not leave the BRKG and BRKS pins floating, but terminate the BRKG and BRKS pins with 20-k Ω resistors as shown in 图 8-17.

8.3.16.2 Nominal Circuit Breaker Function

If the failure detection function is enabled, which also implies the circuit breaker being controlled by the LM5170, the LM5170 performs a MOSFET failure detection during start-up. The detection starts after the UVLO is pulled higher than 2.5 V and VCC above 8.5 V. The detection operation lasts for 2 to 3 ms. During the detection, the LM5170 checks the high-side and low-side MOSFETs of both channels as well as the circuit breaker MOSFETs to see if any of them has drain-to-source shorted. If no failure is detected, a 330- μ A current source at the BRKG pin is turned on to charge up the breaker MOSFET gates. When the BRKG to BRKS voltage rises above 8.5 V, the LM5170 enters standby mode, waiting for the EN1 and EN2 commands to operate in power delivery mode. The voltage across BRKG and BRKS is internally clamped to 12 V, preventing overvoltage stress on the breaker MOSFET gates.

If a failure of any MOSFET is detected, the LM5170 immediately pulls the nFAULT pin low, and keeps the LM5170 in a latched shutdown mode, thereby preventing catastrophic failure.

The nFAULT pin can also be externally pulled low during normal operation and the LM5170 immediately turns off the circuit breaker and stays in a latched shutdown. There is a 2- μ s glitch filter at the nFAULT pin to prevent errant shutdown by possible noises at the nFAULT pin.

To release the nFAULT shutdown latch, it requires the UVLO pin to be externally forced below 1.25 V, or VCC is below 8 V.

图 8-15 和 图 8-16 show two ways to use the circuit breaker function. A TVS is recommended to prevent surge voltage when the circuit breaker is turned off during operation.

The BRKG 330- μ A current source is powered by the VIN pin or the HV-Port. Therefore, the differential voltage between the HV-Port and LV-Port must be greater than 10 V to ensure that BRKG to BRKS voltage can establish > 8.5 V and allow the LM5170 to enter power delivery mode. The BRKG to BRKS voltage is internally clamped to 12 V if the differential voltage of the two ports is greater.

The load dump transient at the LV-Port can raise the rail voltage and reduce the differential voltage of the two ports to below 10 V. To maintain the circuit breaker to be closed during the transient, TI recommends adding a 1-nF to 10-nF capacitor across BRKG and BRKS to hold the gate voltage during the transient.

Note that the BRKG 330- μ A current source always turns on once the LM5170 starts up. If failure detection mode is deactivated, the LM5170 also skips checking the BRKG to BRKS voltage condition. Therefore, the circuit breaker can still be controlled by the LM5170 even if the failure detection is deactivated. If the steady-state differential voltage between the HV-Port and LV-Port is less than 10 V during power up, TI does not recommend you activate the failure detection function. Also, if the differential voltage is less than 8 V, TI recommends not to use the circuit breaker function of the LM5170 at all.

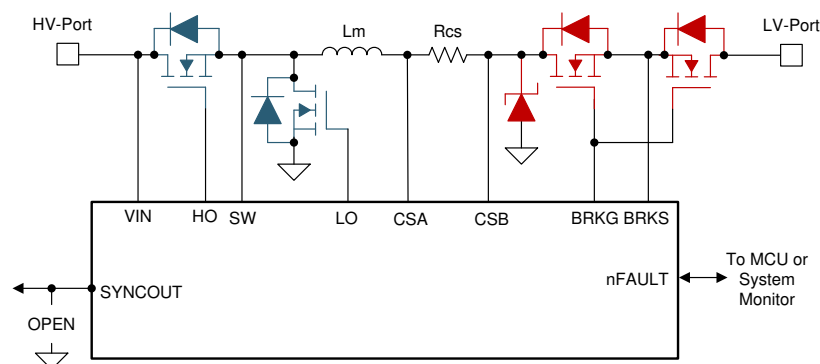


图 8-15. Controlling Dual-Channel Circuit Breaker for MOSFET Failure Protection

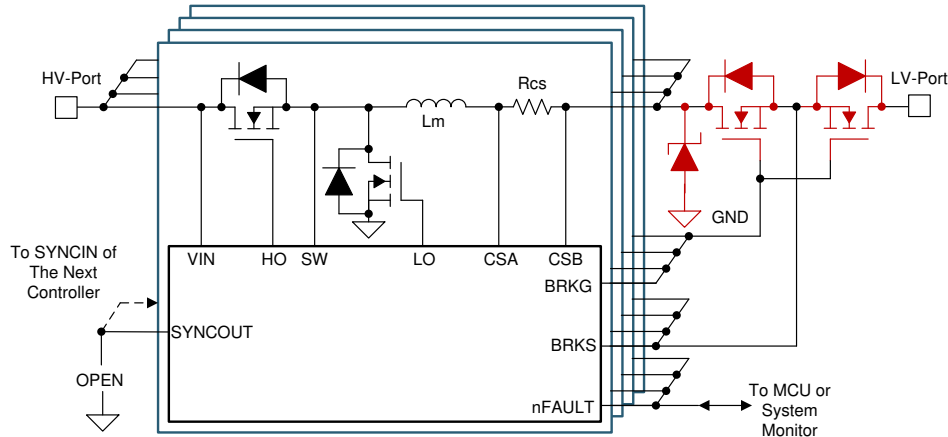


图 8-16. Controlling System Level Circuit Breaker for MOSFET Failure Protection

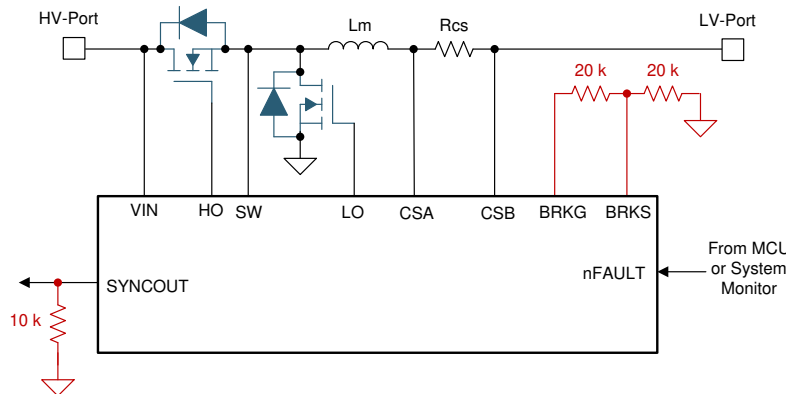


图 8-17. Circuit Breaker Function Disabled

8.3.17 Overvoltage Protection (OVPA, OVPB)

As shown in 图 8-18 and 图 8-19, the LM5170 includes the overvoltage protection function for both HV-Port and LV-Port. Use the OVPA pin for the HV-Port protection, and the OVPB pin for the LV-Port protection. Note that the OVPB protection function is disabled during boost operation mode, while the OVPA function is always enabled in both buck or boost operation modes.

8.3.17.1 HV-V-Port OVP (OVPA)

A dedicated comparator monitors the HV-Port voltage through a resistor divider. The divider consists of an internal 3-Meg Ω pullup resistor between the VINX and OVPA pins, and an external pulldown resistor between the OVPA pin and AGND. When the OVPA pin voltage exceeds the 1.185-V threshold, both HOs and LOs are turned off. At the same time, C_{SS} is discharged, preparing for the restart through soft start when the OV alarm is removed. See 节 8.3.10 for details.

8.3.17.2 LV-Port OVP (OVPB)

A dedicated comparator monitors the LV-Port voltage through a resistor divider. The divider consists of the internal 1-Meg Ω pullup resistor between the CSB1 and OVPB pins, and an external pulldown resistor between the OVPB pin and AGND. When the OVPB pin voltage exceeds the 1.185-V threshold, both HOs and LOs are turned off. At the same time the SS capacitor is discharged, preparing to restart through soft start when the OV alarm is removed. See 节 8.3.10 for details.

Note the hysteresis voltage of both OVPA and OVPB comparators is approximately 100 mV. There are 5- μ s built-in glitch filters for both OVPA and OVPB comparators. In addition, a small capacitor can be considered to

place from the OVP pins to AGND. All of these help prevent errant operation by possible noises on the OVPA and OVPB signals.

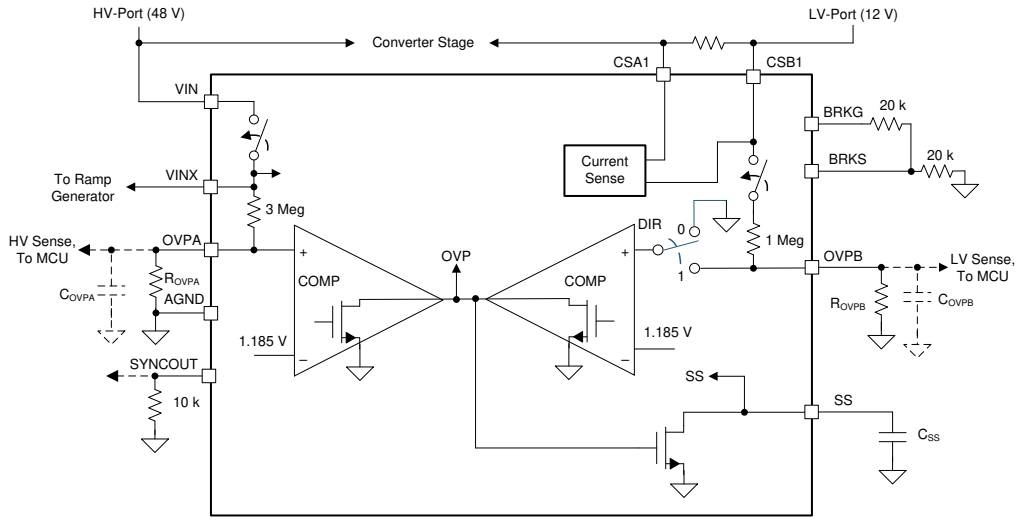


图 8-18. Overvoltage Protection: When Circuit Breaker Function is Not Used

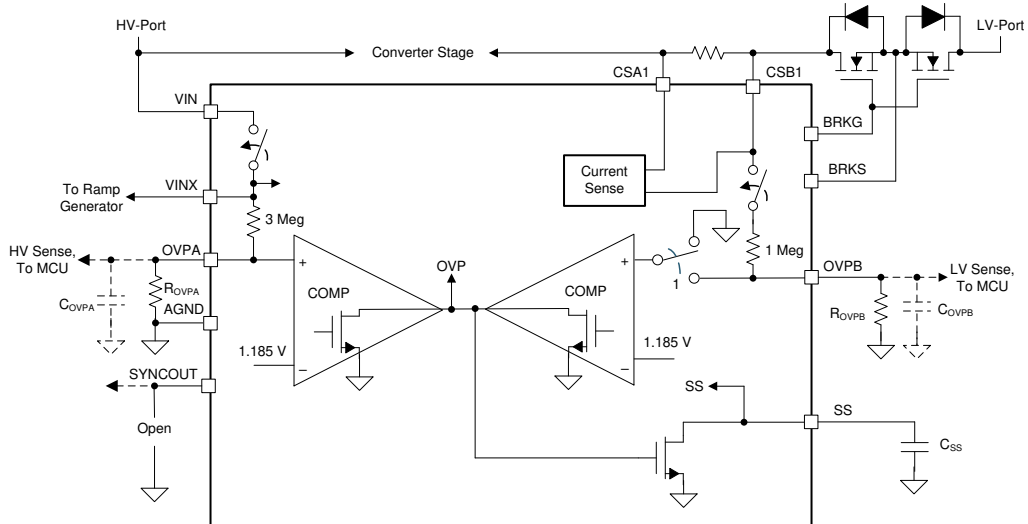


图 8-19. Overvoltage Protection: When Circuit Breaker Function is Used

8.4 Device Functional Modes

8.4.1 Multiphase Configurations (SYNCOUT, OPT)

There are various options to make multiphase configurations.

8.4.1.1 Multiphase in Star Configuration

Each LM5170 synchronizes to an external clock, and the clock signals should have appropriate phase delays among them for proper multiphase interleaving operation. The interleave angle between the two phases of each LM5170 can be programmed to 180° or 240° by the OPT pin. 表 8-1 summarizes the settings of the external clocks and the OPT pin state for multiphase configurations.

表 8-1. Multiphase Configurations With Individual External Clock

NUMBER OF PHASES	PHASE SHIFT BETWEEN EXTERNAL CLOCKS FOR MULTIPHASE INTERLEAVING	OPT LOGIC STATE ⁽¹⁾	CH-2 PHASE LAGGING VS CH-1	NUMBER OF LM5170 CONTROLLERS NEEDED	NUMBER OF EXTERNAL CLOCKS NEEDED
2	180°	1	180°	1	1 or 0
3	120°	0	240°	2	2
4	90°	1	180°	2	2
6	60° or 120°	1	180°	3	3
8	45°	1	180°	4	4
2xN	(180° / N)	1	180°	N	N

(1) OPT State = 0 when the pin connects to AGND, and 1 when the pin voltage is > 2.5 V.

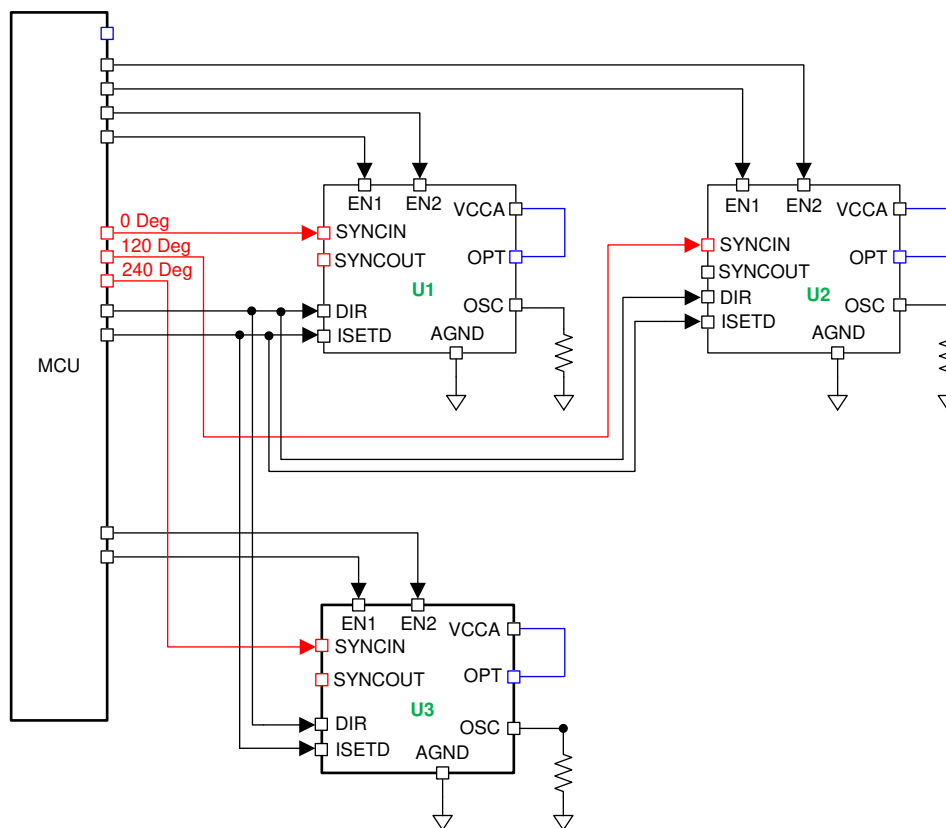


图 8-20. Example of Six Phase Star Configuration

8.4.1.2 Configuration of 2, 3, or 4 Phases in Master-Slave Daisy-Chain Configurations

This can be used to achieve 1, 2, 3, or 4 phases without using an external clock. 表 8-2 summarizes the OPT settings for the daisy-chain multiphase configurations. 图 8-21 shows the daisy-chain connections for multiphase configurations.

表 8-2. Multiphase Configurations With Built-In Daisy-Chain Master-Slave Configuration

NUMBER OF PHASES	OPT LOGIC STATE ⁽¹⁾	CH-2 PHASE LAGGING VS CH-1	SYNCOUT PHASE LAGGING VS CH-1	NUMBER OF LM5170 CONTROLLERS NEEDED	NUMBER OF EXTERNAL CLOCKS NEEDED
2	1	180°	90°	1	0 or 1
3	0	240°	120°	2	0 or 1
4	1	180°	90°	2	0 or 1

(1) OPT State = 0 when the pin connects to AGND, and 1 when the pin voltage is > 2.5 V.

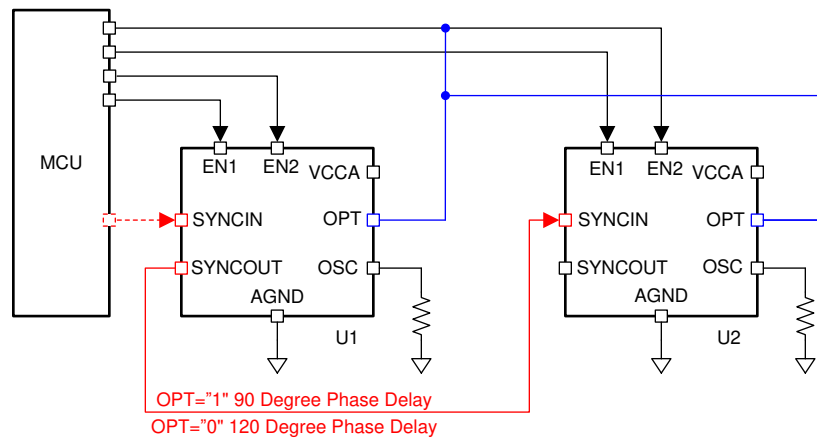


图 8-21. Three or Four Phases Interchangeable Configuration

8.4.1.3 Configuration of 6 or 8 Phases in Master-Slave Daisy-Chain Configurations

To configure 6 or 8 phases, it requires two daisy chains shown in 图 8-22 through 图 8-25. Note that two phase-shifted external clock signals are required for proper interleaving operation. When external clock signals are not available, the 6-phase can be configured in 120° interleaving, and 8-phase in 90° interleaving by daisy chain (refer to 图 8-23 and 图 8-25), in which two phases of the system are synchronized in phase.

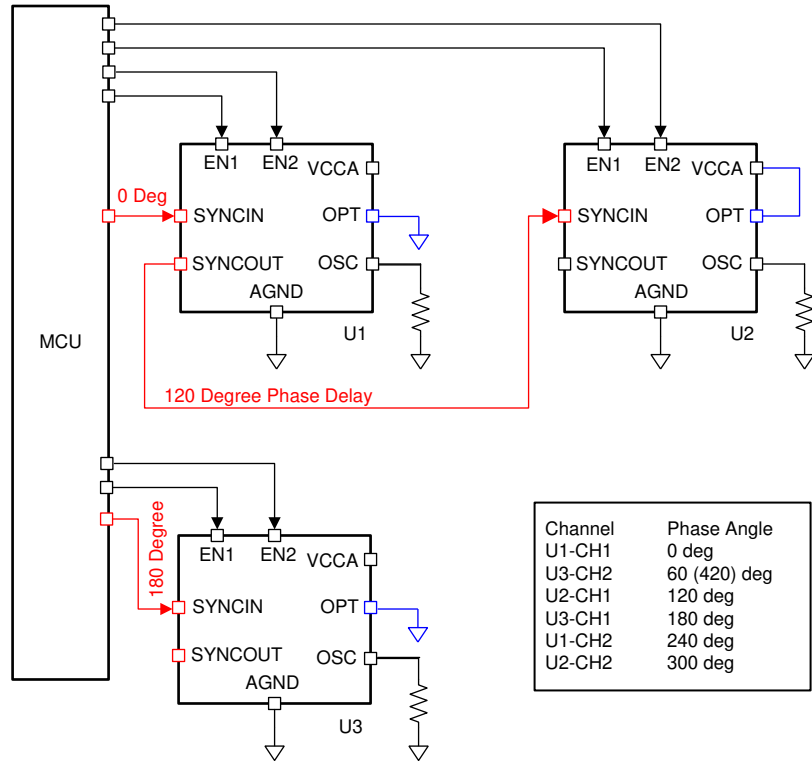


图 8-22. Six Phases 60° Interleaving Configuration

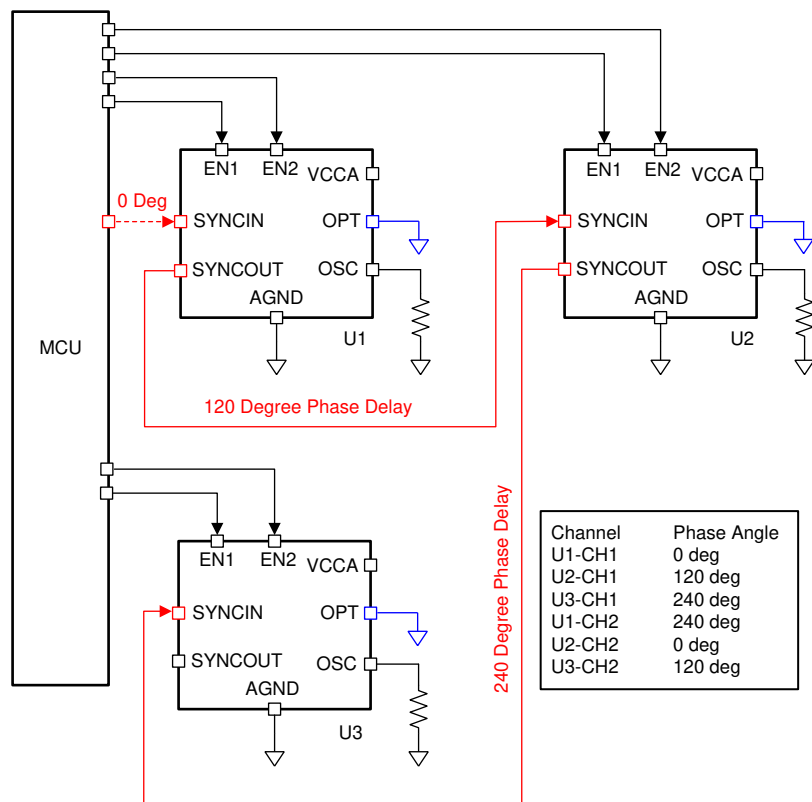


图 8-23. Six Phases 120° Interleaving Configuration

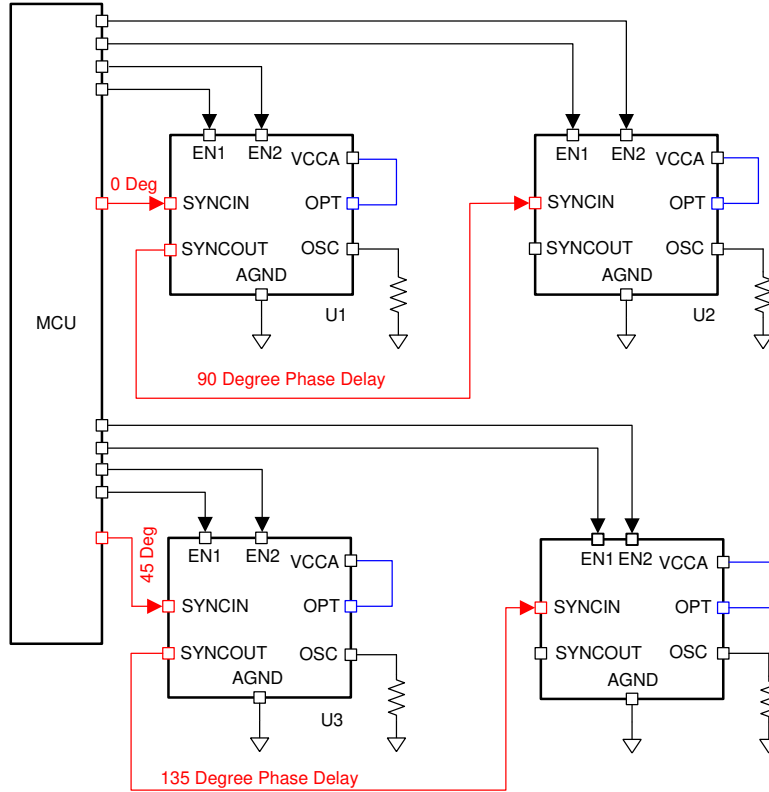


图 8-24. Eight Phases 45° Interleaving Configuration

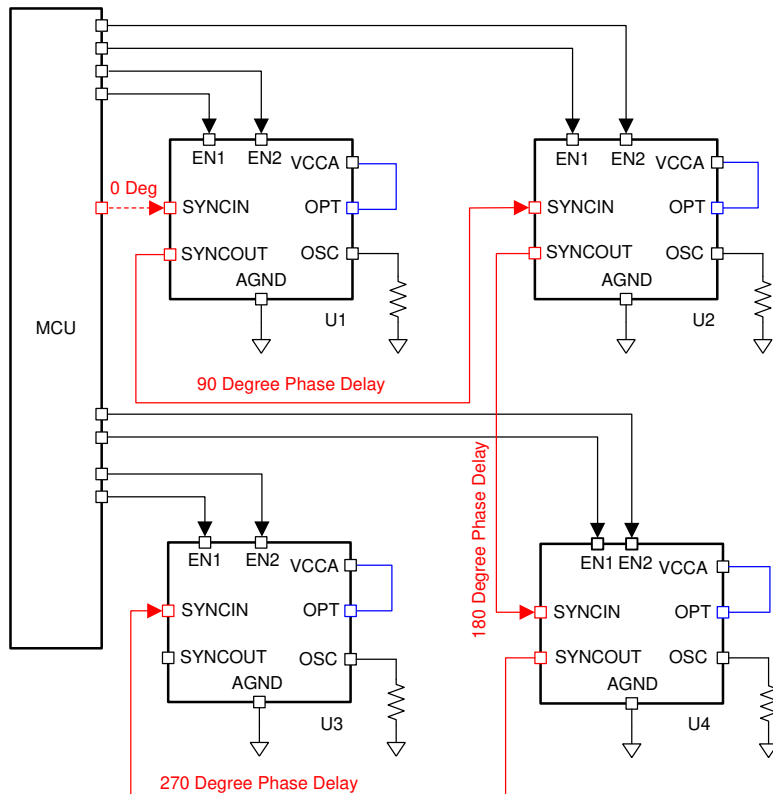


图 8-25. Eight Phases 90° Interleaving Configuration

8.4.2 Multiphase Total Current Monitoring

To minimize the number of signal lines, multichannel monitors can be combined into a total current monitor. [Figure 8-26](#) shows an example of total current monitor of a three phase system in which the unused fourth phase monitor (U2-IOUT2) is grounded.

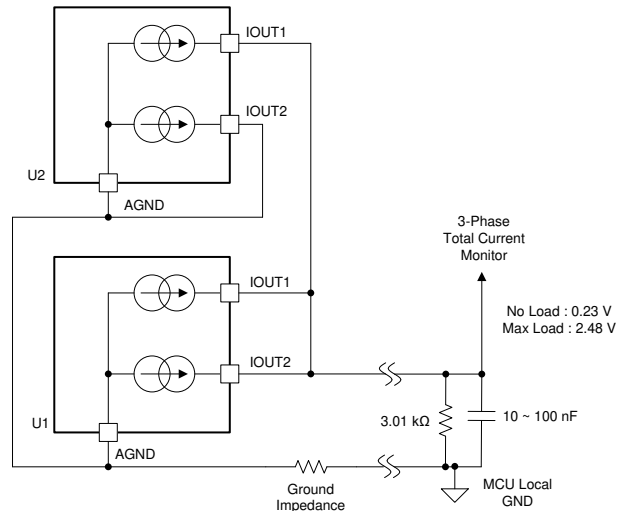


图 8-26. 3-Phase Total Current Monitor

8.5 Programming

8.5.1 Dynamic Dead Time Adjustment

In addition to a fixed dead time programming by R_{DT} , the dead time can be dynamically adjusted either by applying an analog voltage or a PWM signal as shown in [Figure 8-27](#). Varying the analog voltage or the duty ratio of the PWM signal will adjust the DT programming. For analog adjustment, a single stage RC filter is recommended to filter out any possible noise. For PWM adjustment, a two-stage RC filter is recommended to minimize the ripple voltage resulted on the DT pin.

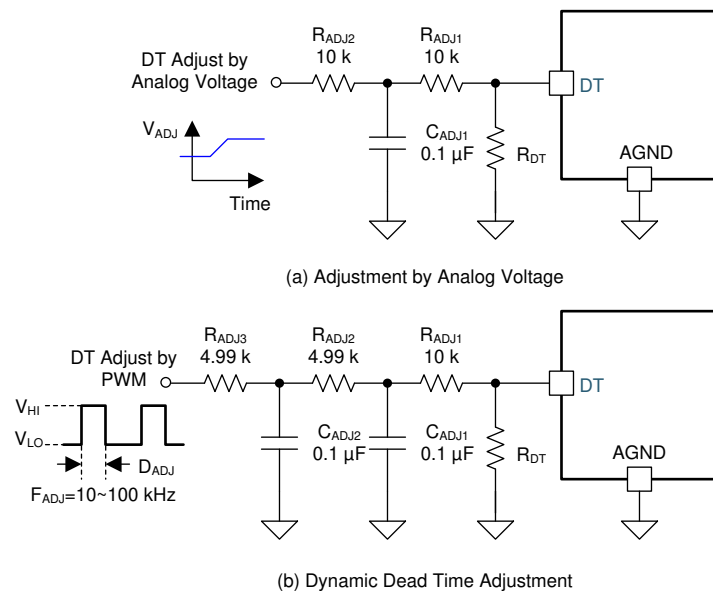


图 8-27. Dynamic Dead Time Adjustment

When an analog voltage is applied, the resulted dead time is determined by [Equation 19](#):

$$t_{DT}(V_{ADJ}) = \left(\frac{1}{R_{DT}} + \frac{1}{R_{ADJ1} + R_{AJD2}} - \frac{0.8 \times V_{ADJ}}{R_{ADJ1} + R_{ADJ2}} \right)^{-1} \times 4 \frac{\text{ns}}{\text{k}\Omega} + 16 \text{ ns} \quad (19)$$

where

- V_{ADJ} is the analog voltage used to adjust the dead time

When a PWM signal is applied, the resulted dead time is determined by [方程式 20](#):

$$t_{DT}(D_{ADJ}) = \left(\frac{1}{R_{DT}} + \frac{1}{R_{ADJ1} + R_{AJD2} + R_{AJD3}} - \frac{0.8 \times [(V_{HI} - V_{LO}) \times D_{ADJ} + V_{LO}]}{R_{ADJ1} + R_{ADJ2} + R_{ADJ3}} \right)^{-1} \times 4 \frac{\text{ns}}{\text{k}\Omega} + 16 \text{ ns} \quad (20)$$

where

- V_{HI} and V_{LO} are the high and low voltage levels of the PWM signal, respectively,
- D_{ADJ} is the duty factor of the PWM signal.

8.5.2 Optional UVLO Programming

The UVLO pin is the master enable pin of the LM5170. It can be directly controlled by an external control unit like an MCU.

Nevertheless, the UVLO pin can also fulfill the undervoltage lockout function of a particular power rail. The rail can be either the HV-Port, the LV-Port, or VCC. Use a resistor divider to set the UVLO threshold, as shown in 图 8-28. The divider must satisfy 方程式 21:

$$\frac{R_{UVLO2}}{R_{UVLO1} + R_{UVLO2}} \times V_{UVLO} = 2.5 \text{ V} \quad (21)$$

The UVLO hysteresis is accomplished with an internal 25- μ A current source. When UVLO > 2.5 V, the current source is activated to instantly raise the voltage at the UVLO pin. When the UVLO pin voltage falls below the 2.5-V threshold the current source is turned off, causing the voltage at the UVLO pin to fall. The UVLO hysteresis is determined by 方程式 22:

$$V_{HYS} = R_{UVLO1} \times 25 \mu\text{A} \quad (22)$$

An optional ceramic capacitor C_{UVLO} can be placed in parallel with R_{UVLO2} to improve the noise immunity. C_{UVLO} is usually between 1 nF to 10 nF. Large C_{UVLO} can cause excessive delay to respond to a real UVLO event.

If 方程式 22 does not provide adequate hysteresis voltage, you can add R_{UVLO3} as shown in 图 8-29. The hysteresis voltage is thus given by 方程式 23:

$$V_{HYS} = \left[R_{UVLO1} + R_{UVLO3} \times \left(1 + \frac{R_{UVLO1}}{R_{UVLO2}} \right) \right] \times 25 \mu\text{A} \quad (23)$$

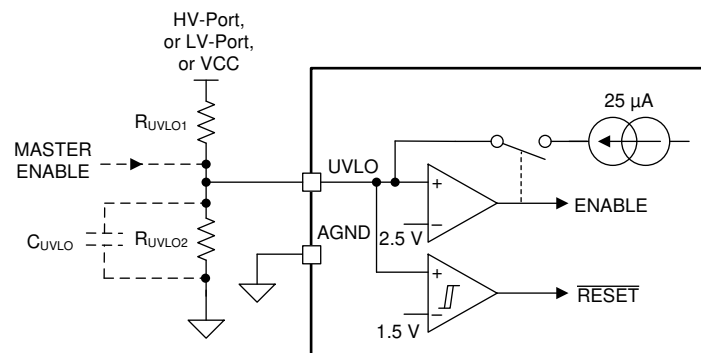


图 8-28. UVLO Programming

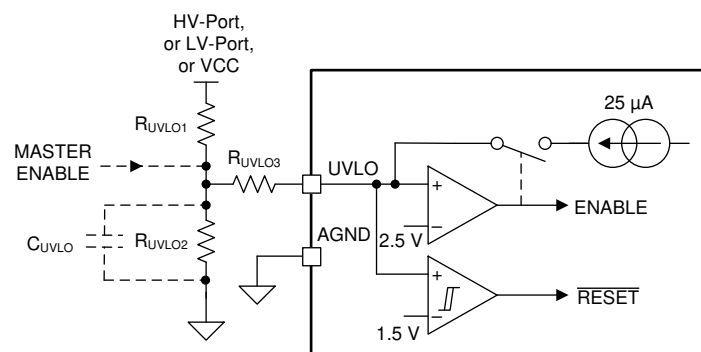


图 8-29. UVLO With Additional Hysteresis Programming

9 Application and Implementation

Note

以下应用部分中的信息不属于 TI 器件规格的范围，TI 不担保其准确性和完整性。TI 的客户应负责确定器件是否适用于其应用。客户应验证并测试其设计，以确保系统功能。

9.1 Application Information

The LM5170 is suitable for the bidirectional DC-DC converters for 48-V and 12-V dual battery systems and battery backup systems. It can also create stackable, high power, unidirectional buck or boost converters with balanced power sharing among multiphases.

9.1.1 Typical Key Waveforms

The following describes the typical power-up sequence of the LM5170 bidirectional converter in a 48-V to 12-V dual battery system.

9.1.1.1 Typical Power-Up Sequence

图 9-1 shows key waveforms of power-up sequence.

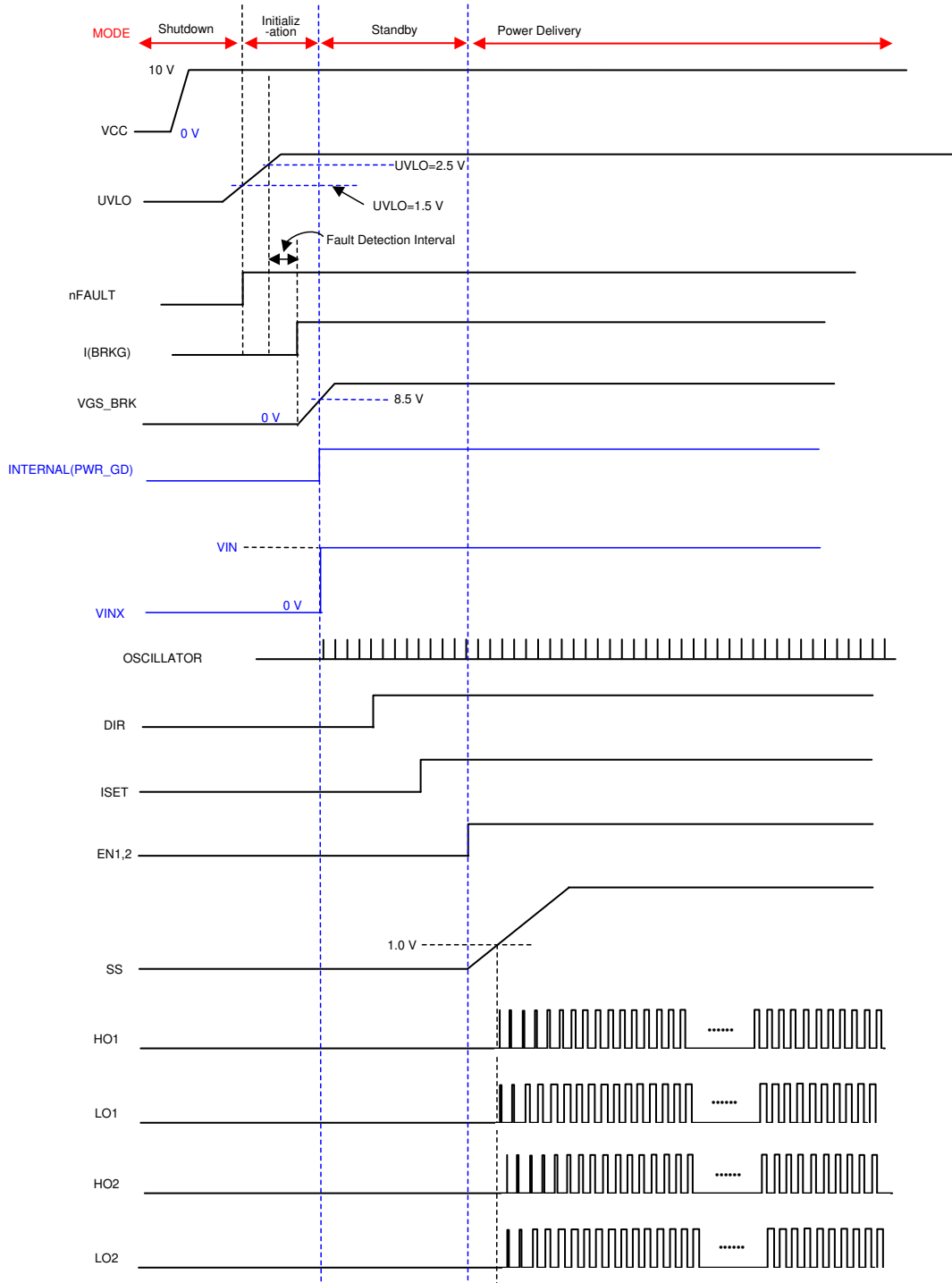


图 9-1. Typical Turnon Sequence Key Waveforms

9.1.1.2 One to Eight Phase Programming

图 9-2 和 表 9-1 show a typical logic control signals and external clock requirements to run an eight phase system.

表 9-1. Multiphase Programming

	1Φ	2Φ	3Φ	4Φ	6Φ	8Φ
A7	0	0	0	0	0	1
A6	0	0	0	0	0	1
A5	0	0	0	0	1	1
A4	0	0	0	0	1	1
A3	0	0	0	1	1	1
A2	0	0	1	1	1	1
A1	0	1	1	1	1	1
A0	1	1	1	1	1	1
OPT (B0)	1	1	0	1	1	1
SYNC (C0)	—	—	—	—	0°	0°
C1	—	—	—	—	60°	45°

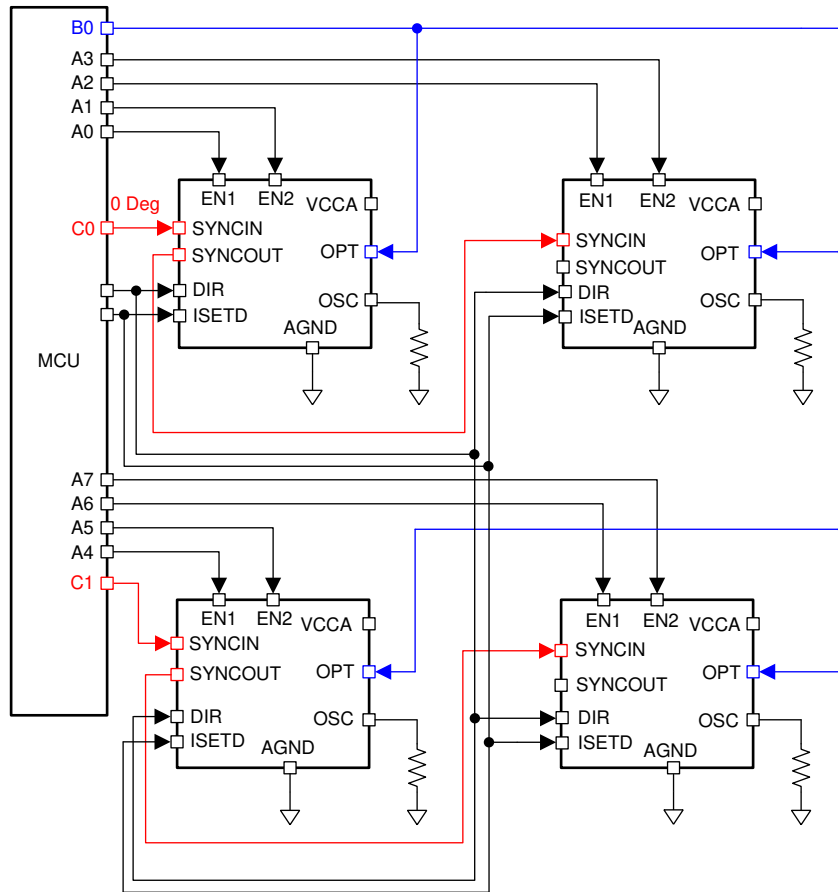


图 9-2. Eight-Phase Configuration

9.1.2 Inner Current Loop Small Signal Models

The following describes the inner current loop that is controlled by the LM5170. The outer voltage loop must be managed by the MCU or by an external analog circuit. The interface signals between the inner current loop and outer voltage loop are basically the DIR and ISET signals, of which the DIR signal controls the current direction, and the ISET signal carries the error information of the outer voltage loop.

9.1.2.1 Small Signal Model

图 9-3 shows the current loop block diagram. The power plant transfer function from the error voltage (V_{ea}) to the channel inductor current (i_{Lm}) is determined by the following, regardless the current flow direction.

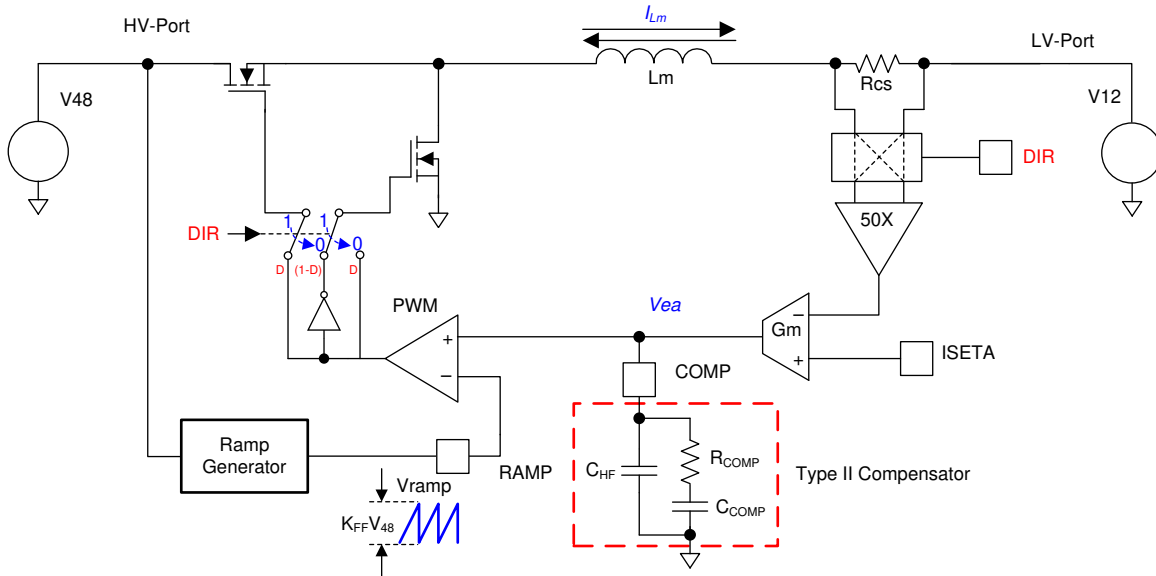


图 9-3. Control Loop Block Diagram

$$H(s) = \frac{\hat{i}_{Lm}}{\hat{V}_{ea}} = \frac{1}{K_{FF} \times (R_{CS} + R_S)} \times \frac{1}{s \times \frac{L_m}{R_{CS} + R_S} + 1} \quad (24)$$

where

- L_m is the power inductor,
- R_{CS} is the current sense resistor
- R_S is the equivalent total resistance along the current path excluding R_{CS}
- K_{FF} is the ramp generator coefficient. When the RAMP signal is generated per 方程式 14, $K_{FF} = 0.104$

9.1.2.2 Inner Current Loop Compensation

方程式 24 indicates that the power plant is basically a first-order system. A Type-II compensator as shown in 图 9-3 is adequate to stabilize the loop for both buck and boost mode operations.

Assuming the output impedance of the gm amplifier is R_{GM} , the gain from the inductor to the output of gm amplifier is determined by 方程式 25:

$$G(s) = \frac{\hat{V}_{ea}}{\hat{i}_{Lm}} = 50 \times R_{CS} \times G_m \times [R_{GM} \parallel Z_{COMP}(s)] \quad (25)$$

where

- the coefficient 50 is the current sense amplifier gain
- G_m is the transconductance of the gm error amplifier, which is 1 mA/V
- $Z_{COMP}(s)$ is the equivalent impedance of the compensation network seen at the COMP pin (see 方程式 26)

$$Z_{\text{COMP}}(s) = \frac{1}{C_{\text{HF}} + C_{\text{COMP}}} \times \frac{1 + s \times R_{\text{COMP}} \times C_{\text{COMP}}}{s \times \left(1 + s \times R_{\text{COMP}} \times \frac{C_{\text{HF}} \times C_{\text{COMP}}}{C_{\text{HF}} + C_{\text{COMP}}} \right)} \quad (26)$$

Usually C_{HF} is $\ll C_{\text{COMP}}$. Thus, [方程式 26](#) can be simplified to [方程式 27](#):

$$Z_{\text{COMP}}(s) = \frac{1}{C_{\text{COMP}}} \times \frac{1 + s \times R_{\text{COMP}} \times C_{\text{COMP}}}{s \times (1 + s \times R_{\text{COMP}} \times C_{\text{HF}})} \quad (27)$$

Because R_{GM} is $> 5 \text{ Meg}\Omega$ and the frequency range for loop compensation is usually above a few kHz, the effects of R_{GM} on the loop gain in the interested frequency range becomes negligible. Therefore, substituting [方程式 28](#) into [方程式 25](#), and neglecting R_{GM} , you can get the following:

$$G(s) = \frac{\hat{V}_{\text{ea}}}{\hat{I}_{\text{m}}} = \frac{50 \times R_{\text{CS}} \times G_{\text{m}}}{C_{\text{COMP}}} \times \frac{1 + s \times R_{\text{COMP}} \times C_{\text{COMP}}}{s \times (1 + s \times R_{\text{COMP}} \times C_{\text{HF}})} \quad (28)$$

The total open-loop gain of the inner current loop is the product of $H(s)$ and $G(s)$:

$$G_{\text{total}}(s) = H(s) \times G(s) \quad (29)$$

Or

$$G_{\text{total}}(s) = \frac{1}{K_{\text{FF}} \times (R_{\text{CS}} + R_{\text{S}}) \times C_{\text{COMP}}} \times \frac{50 \times R_{\text{CS}} \times G_{\text{m}}}{s \times \frac{L_{\text{m}}}{R_{\text{CS}} + R_{\text{S}}} + 1} \times \frac{1 + s \times R_{\text{COMP}} \times C_{\text{COMP}}}{s \times (1 + s \times R_{\text{COMP}} \times C_{\text{HF}})} \quad (30)$$

The poles and zeros of the total loop transfer function are determined by:

$$f_{\text{p1}} = 0 \quad (31)$$

$$f_{\text{p2}} = \frac{(R_{\text{CS}} + R_{\text{S}})}{2\pi \times L_{\text{m}}} \quad (32)$$

$$f_{\text{p3}} = \frac{1}{2\pi \times R_{\text{COMP}} \times C_{\text{HF}}} \quad (33)$$

$$f_{\text{z}} = \frac{1}{2\pi \times R_{\text{COMP}} \times C_{\text{COMP}}} \quad (34)$$

To tailor the total inner current loop gain to cross over at f_{CO} , select the components of the compensation network according to the following guidelines, then fine tune the network for optimal loop performance.

1. The zero f_{z} is placed at the power stage pole f_{p2}
2. The pole f_{p3} is placed at approximately two decade higher than f_{CO}
3. The total open-loop gain is set to unity at f_{CO} , namely

$$|H(2i \times \pi \times f_{\text{CO}}) \times G(2i \times \pi \times f_{\text{CO}})| = 1 \quad (35)$$

Therefore, the compensation components can be derived from the above equations, as shown in [方程式 36](#).

$$\left\{ \begin{aligned} R_{\text{COMP}} &= \frac{1}{50 \times R_{\text{CS}} \times G_m \times |H(2i \times \pi \times f_{\text{CO}})|} = \frac{K_{\text{FF}}}{50 \times R_{\text{CS}} \times G_m} \times |2i \times \pi \times f_{\text{CO}} \times L_m + (R_{\text{CS}} + R_s)| \\ C_{\text{COMP}} &= \frac{L_m}{(R_{\text{CS}} + R_s) \times R_{\text{COMP}}} \\ C_{\text{HF}} &= \frac{C_{\text{COMP}}}{100} \end{aligned} \right. \quad (36)$$

9.1.3 Compensating for the Non-Ideal Current Sense Resistor

TI strongly recommends employing a non-inductive resistor for R_{CS} . Even a few nH of inductance cause the current sense signal to be remarkably distorted, as shown in [图 9-4](#). The adversary consequences include reduced peak current limit than actually programmed and false current zero-crossing detection well above 0 A. The former can reduce the available maximum current to be delivered. The latter terminates the sync FET gate early and the body diode is used to conduct the remaining current, thereby reducing the efficiency as well as the accuracies of the channel DC current regulation and IOUT monitors under light load.

When the current sense resistor has some parasitic inductance, it is necessary to compensate the effects of inductance with an RC circuit, as shown in [图 9-5](#). Place a 1- Ω resistor in each of the current sense signal path. The selection of C_{CS} must satisfy [方程式 37](#), assuming the inductance of the current sense resistor is L_{CS} :

$$C_{\text{CS}} = \frac{L_{\text{CS}}}{2 \Omega \times R_{\text{CS}}} \quad (37)$$

For instance, if $R_{\text{CS}} = 1 \text{ m}\Omega$ and $L_{\text{CS}} = 1 \text{ nH}$, the required compensation capacitor C_{CS} must be approximately 0.5 μF .

Note that selecting C_{CS} greater than the value given by [方程式 37](#) overcompensates the inductance and consequently defers the current zero crossing detection point to a negative current. Excessively larger capacitor must not be used to prevent malfunction of the controller.

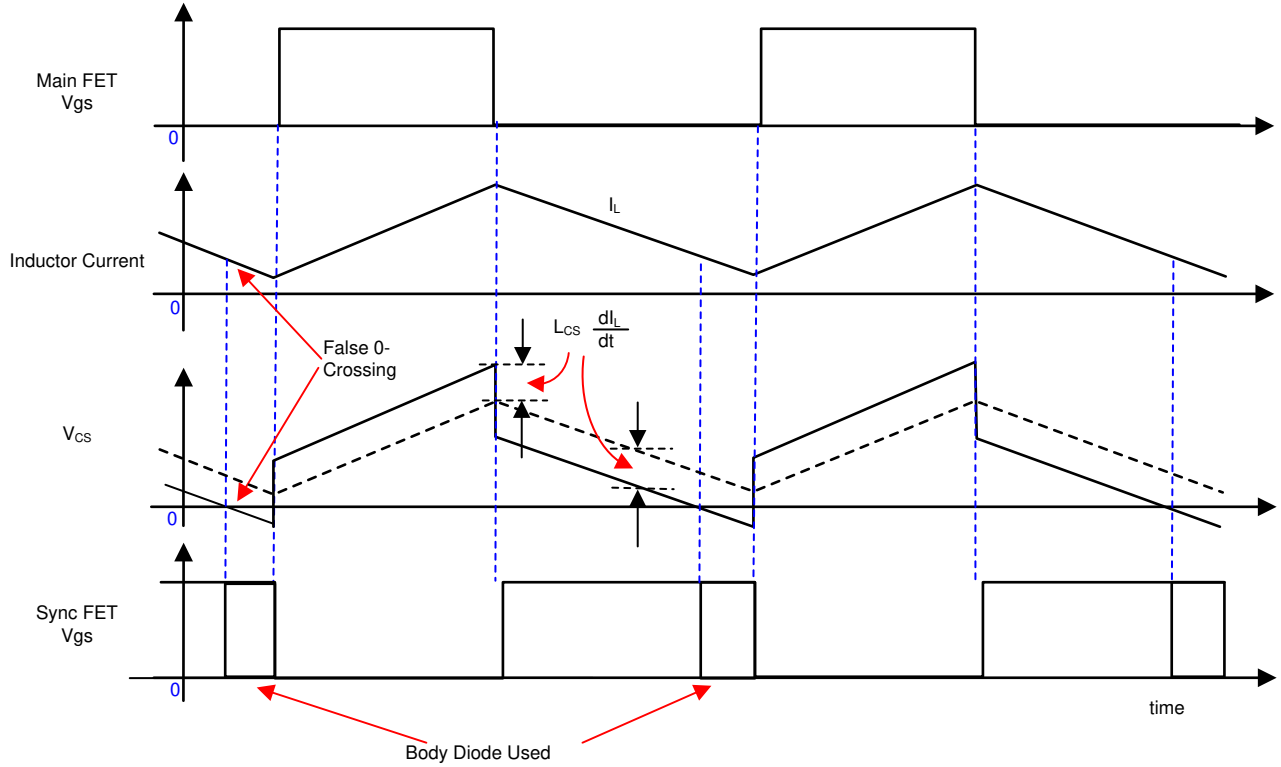


图 9-4. Effects of Parasitic Inductance on the Current Sense Signal and Zero Crossing Detection

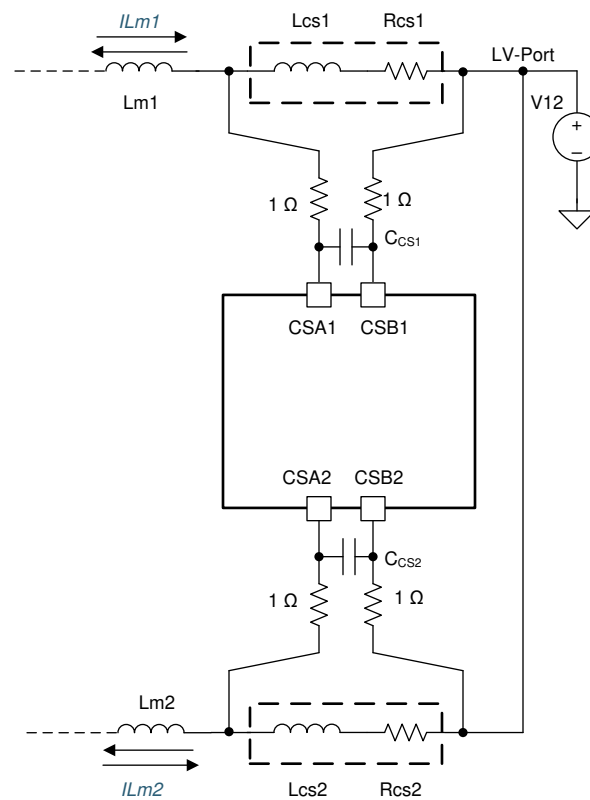


图 9-5. Compensation Network to Compensate the Current Sense Resistor's Parasitic Inductance

9.1.4 Outer Voltage Loop Control

The LM5170 serves as a current regulator that regulates the DC component of the power inductor current to the value programmed at the ISETA pin. To regulate the output voltage, an outer voltage loop should be employed. The outer voltage loop can be implemented with an analog circuit (see [图 9-6](#)) or a digital circuit like an MCU (see [图 9-7](#)). The error voltage signal of the output voltage loop is the ISET command for the inner current loop. TI advises that the outer voltage loop crossover frequency must be one decade below that of the inner current loop crossover frequency f_{CO} . Refer to the LM5170 Design Calculator for the loop compensation guidance.

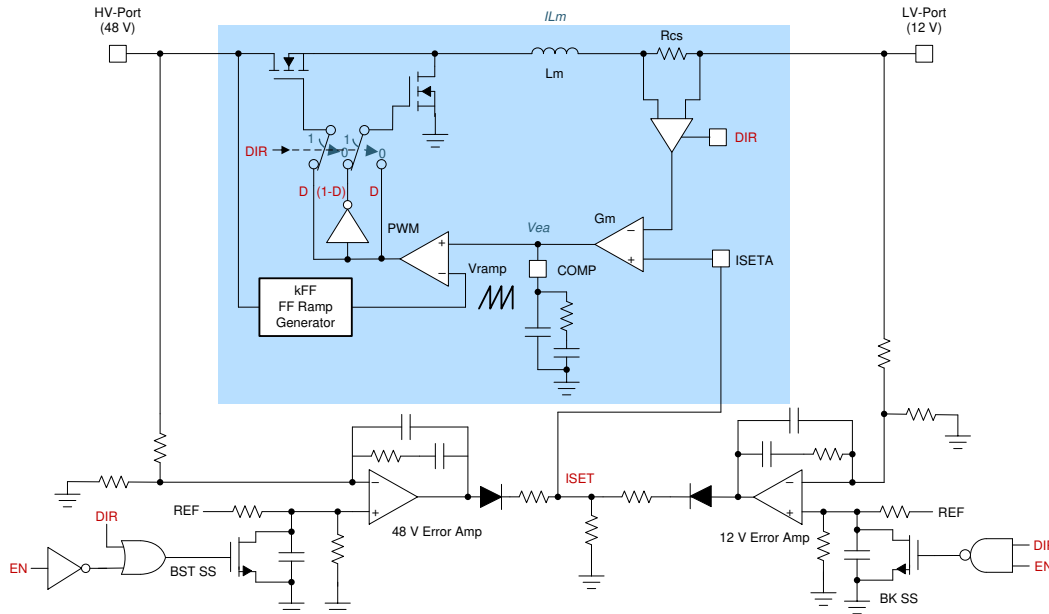


图 9-6. Analog Outer Voltage Loop Control

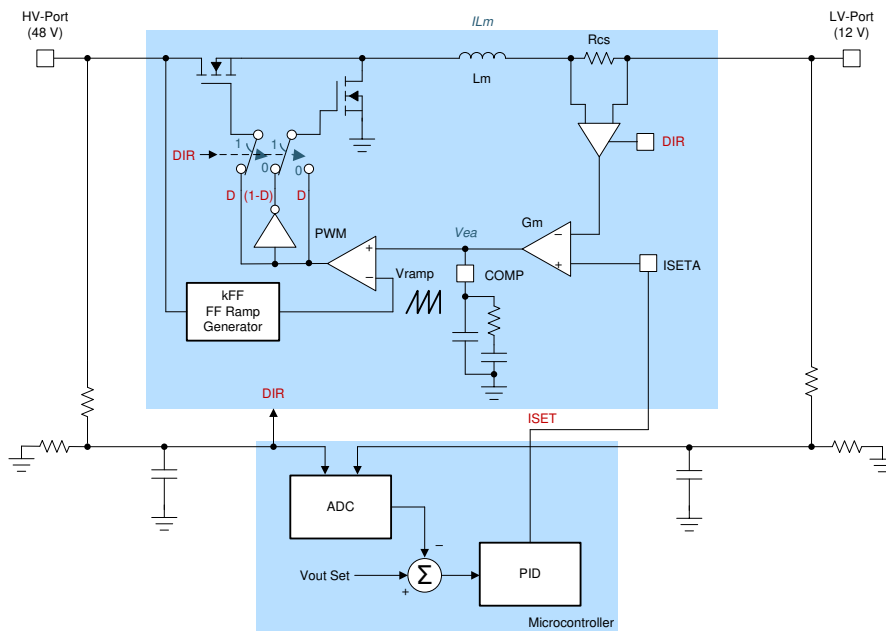


图 9-7. Digital Outer Voltage Loop Control

9.2 Typical Application

9.2.1 60-A, Dual-Phase, 48-V to 12-V Bidirectional Converter

A typical application example is a 60-A, dual-phase bidirectional converter as shown in [Figure 9-8](#). The HV-Port voltage range is 32 V to 70 V and the LV-Port 0 V to 23 V. Each phase is able to deliver 30-A dc current through the inductor.

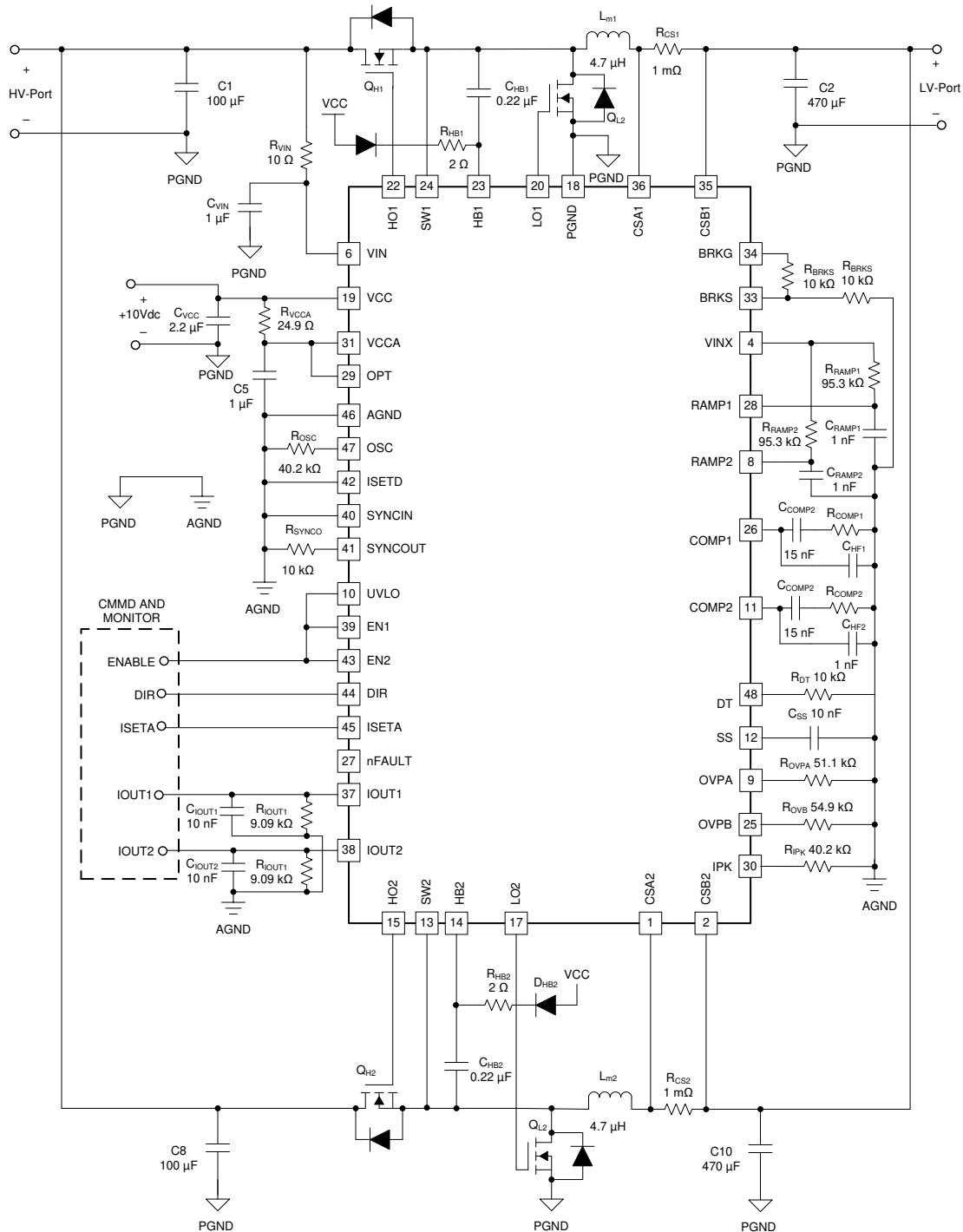


图 9-8. Schematic of the Example Dual-Phase Bidirectional Converter

9.2.1.1 Design Requirements

表 9-2 lists the design parameters for this example.

表 9-2. Design Parameters

PARAMETER	EXAMPLE VALUE	NOTE
V_{LV_min}	6 V	LV-Port minimum operating voltage
V_{LV_reg}	14 V	LV-Port nominal voltage
V_{LV_max}	23 V	LV-Port maximum operating voltage
V_{HV_min}	32 V	HV-Port minimum operating voltage
V_{HV_reg}	50 V	HV-Port nominal operating voltage
V_{HV_max}	70 V	HV-Port maximum operating voltage
F_{SW}	100 kHz	Switching frequency
I_{max}	30 A	Maximum channel DC current, bidirectional
I_{total}	60 A	Total bidirectional DC at the LV-Port

9.2.1.2 Detailed Design Procedure

9.2.1.2.1 Determining the Duty Cycle

Obviously, the duty cycles are determined by 方程式 38 through 方程式 41:

$$D_{BK_min} = \frac{V_{LV_reg}}{V_{HV_max}} = \frac{14\text{ V}}{70\text{ V}} = 0.2 \quad (38)$$

$$D_{BK_max} = \frac{V_{LV_reg}}{V_{HV_min}} = \frac{14\text{ V}}{32\text{ V}} = 0.438 \quad (39)$$

$$D_{BST_min} = \frac{V_{HV_reg} - V_{LV_max}}{V_{HV_reg}} = \frac{50\text{ V} - 23\text{ V}}{50\text{ V}} = 0.54 \quad (40)$$

$$D_{BST_max} = \frac{V_{HV_reg} - V_{LV_min}}{V_{HV_reg}} = \frac{50\text{ V} - 6\text{ V}}{50\text{ V}} = 0.88 \quad (41)$$

9.2.1.2.2 Oscillator Programming

To operate the converter at the desired switching frequency F_{SW} , select the R_{OSC} by satisfying 方程式 17, namely,

$$R_{OSC} = \frac{40\text{ k}\Omega \times 100\text{ kHz}}{100\text{ kHz}} = 40\text{ k}\Omega \quad (42)$$

Choose the closest standard resistor, that is, $R_{OSC} = 40.2\text{ k}\Omega$.

9.2.1.2.3 Power Inductor, RMS and Peak Currents

The inductor current has a triangle waveform, as shown in 图 9-4. TI recommends selecting an inductor such that its peak-to-peak ripple current is less than 80% of the channel inductor full load DC current. Therefore, the inductor must satisfy 方程式 43:

$$L_m \geq \frac{V_{LV_reg} \times (1 - D_{BK_min})}{80\% \times I_{max} \times F_{sw}} = \frac{14\text{ V} \times (1 - 0.2)}{0.8 \times 30\text{ A} \times 100\text{ kHz}} = 4.67\text{ }\mu\text{H} \quad (43)$$

Select $L_m = 4.7\text{ }\mu\text{H}$.

Then, the actual inductor peak to peak inductor current is determined by [方程式 44](#):

$$I_{pk-pk} = \frac{V_{LV_reg} \times (1 - D_{BK_min})}{L_m \times F_{sw}} = \frac{14 \text{ V} \times (1 - 0.2)}{4.7 \mu\text{H} \times 100 \text{ kHz}} = 23.83 \text{ A} \quad (44)$$

The peak inductor current is determined by [方程式 45](#):

$$I_{peak} = I_{max} + \frac{I_{pk-pk}}{2} = 30 \text{ A} + \frac{23.83}{2} = 41.9 \text{ A} \quad (45)$$

Select an inductor that has a saturation current I_{sat} at least 20% greater than I_{peak} to ensure full power with adequate margin. In this example, TI recommends selecting an inductor of $I_{sat} > 49 \text{ A}$.

The full load Root Mean Square (RMS) current of the power inductor, I_{LM_RMS} , determines its conduction losses. The RMS current is given by [方程式 46](#):

$$I_{LM_RMS} = \sqrt{I_{max}^2 + \frac{1}{12} \times I_{pk-pk}^2} = 30.8 \text{ A} \quad (46)$$

9.2.1.2.4 Current Sense (R_{CS})

To achieve the highest regulation accuracy over wider load range, target to create 50 mV of V_{CS} at full current. Therefore, R_{CS} must be selected as [方程式 47](#):

$$R_{CS} \leq \frac{50 \text{ mV}}{I_{max}} = \frac{50 \text{ mV}}{30 \text{ A}} = 1.667 \text{ m}\Omega \quad (47)$$

Ideally, a 1.5-m Ω current sense resistor is chosen for this example. However, due to availability, a standard non-inductive 1-m Ω current sense resistor is selected, namely,

$$R_{CS} = 1.0 \text{ m}\Omega \quad (48)$$

Because R_{CS} conducts the same current as the power inductor, its power dissipation is also determined by I_{LM_RMS} .

If the selected R_{CS} has parasitic inductance (assuming it is 1 nH), it must be compensated, and the compensation capacitor C_{CS} must satisfy [方程式 37](#).

$$C_{CS} = \frac{L_{CS}}{2 \Omega \times R_{CS}} = \frac{1 \text{ nH}}{2 \Omega \times 1 \text{ m}\Omega} = 0.5 \mu\text{F} \quad (49)$$

Select the closest standard capacitor, $C_{CS} = 0.47 \mu\text{F}$.

For optimal performance, it is good practice to add a 100-pF ceramic capacitor at each current sense pin to filter out common-mode noise, as shown in [图 9-9](#).

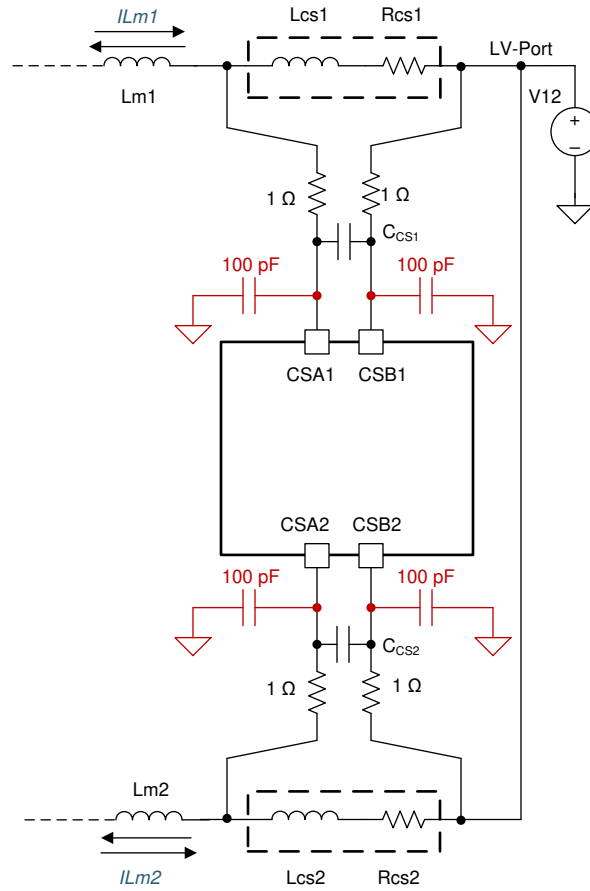


图 9-9. Current Sense With Compensation to Cancel the Effects of Parasitic Inductances

9.2.1.2.5 Current Setting Limits (ISETA or ISETD)

TI recommends setting a hard limit of the maximum current programming signal such that the converter cannot be over driven by an errant current programming signal. Assume the converter is allowed up to 10% overloading current. Refer to 方程式 7, the analog current setting signal ISETA must be limited by the following voltage level:

$$V_{ISETA_max} \leq \frac{110\% \times I_{max} \times R_{CS}}{0.02} = \frac{110\% \times 30 \text{ A} \times 1 \text{ m}\Omega}{0.02} = 1.65 \text{ V} \quad (50)$$

Refer to 方程式 10, the PWM current setting signal ISETD must be limited by the following duty cycle:

$$D_{ISETD_max} \leq \frac{110\% \times I_{max} \times R_{CS}}{0.0625 \text{ V}} = \frac{110\% \times 30 \text{ A} \times 1 \text{ m}\Omega}{0.0625 \text{ V}} = 52.8\% \quad (51)$$

9.2.1.2.6 Peak Current Limit

One purpose of the peak current limit is to protect the power inductor from saturation. Select R_{IPK} such that the peak current limit threshold is 5~10% greater than I_{peak} . According to 方程式 13, one gets:

$$R_{IPK} = \frac{R_{CS} \times 105\% \times I_{peak}}{1.1 \mu\text{A}} = \frac{1 \text{ m}\Omega \times 105\% \times 41.9 \text{ A}}{1.1 \mu\text{A}} = 40 \text{ k}\Omega \quad (52)$$

Select $R_{IPK} = 40.2 \text{ k}\Omega$, which results in a nominal inductor peak current limit of 44.2 A per channel.

9.2.1.2.7 Power MOSFETS

The power MOSFETs must be chosen with a V_{DS} rating capable of withstanding the maximum HV-port voltage plus transient spikes (ringing). In this example, the maximum HV-rail voltage is 70 V. Selecting the 80-V rated MOSFETs allows 10-V transient spikes.

When the voltage rating is determined, select the MOSFETs by making tradeoffs between the MOSFET $R_{ds(ON)}$ and total gate charge Q_g to balance the conduction and switching losses. For high-power applications, parallel MOSFETs to share total power and reduce the dissipation on any individual MOSFET, hence relieving the thermal stress. The conduction losses in each MOSFET is determined by [方程式 53](#).

$$P_{Q_cond} = \frac{1.8 \times R_{ds(ON)}}{N} \times I_{Q_RMS}^2 \quad (53)$$

where

- N is the number of MOSFETs in parallel
- 1.8 is the approximate temperature coefficient of the $R_{ds(ON)}$ at 125 °C
- Total RMS switch current I_{Q_RMS} is approximately determined by [方程式 54](#)

$$I_{Q_RMS} \approx \sqrt{D_{max}} \times I_{max} = \sqrt{D_{max}} \times I_{max} \quad (54)$$

where

- D_{max} is the maximum duty cycle, either in the buck mode or boost mode

The switching transient rise and fall times are approximately determined by:

$$\Delta t_{rise} \approx \frac{N \times Q_g}{4 A} \quad (55)$$

$$\Delta t_{fall} \approx \frac{N \times Q_g}{5 A} \quad (56)$$

And the switching losses of each of the paralleled MOSFETs are approximately determined by:

$$P_{Q_sw} = \frac{1}{2} \times C_{oss} \times V_{HV}^2 \times F_{sw} + \frac{1}{2} \times \frac{I_{peak}}{N} \times V_{HV} \times (\Delta t_{rise} + \Delta t_{fall}) \times F_{sw} \quad (57)$$

where

- C_{oss} is the output capacitance of the MOSFET

The power MOSFET usually requires a gate-to-source resistor of 10 k Ω to 100 k Ω to mitigate the effects of a failed gate drive. When using parallel MOSFETs, a good practice is to use 1- to 2- Ω gate resistor for each MOSFET, as shown in [图 9-10](#).

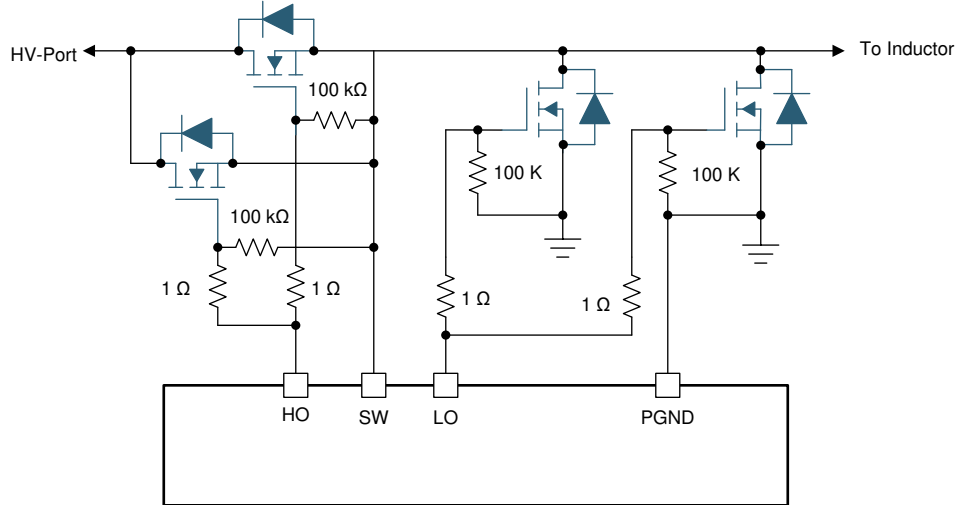


图 9-10. Paralleled MOSFET Configuration

If the dead time is not optimal, the body diode of the power synchronous rectifier MOSFET causes losses in reverse recovery. Assuming the reverse recovery charge of the power MOSFET is Q_{rr} , the reverse recovery losses are thus determined by 方程式 58:

$$P_{Q_{rr}} = Q_{rr} \times V_{HV_max} \times F_{sw} \quad (58)$$

To reduce the reverse recovery losses, an optional Schottky diode can be placed in parallel with the power MOSFETs. The diode should have the same voltage rating as the MOSFET, and it must be placed directly across the MOSFETs drain and source. The peak repetitive forward current rating must be greater than I_{peak} , and the continuous forward current rating must be greater than the following 方程式 59:

$$I_{SD_avg} = I_{peak} \times t_{DT} \times F_{sw} \quad (59)$$

9.2.1.2.8 Bias Supply

The LM5170 requires an external 10- to 12-V VCC bias supply to operate. If not available in the system, you can generate it from the LV-Port using a buck-boost or SEPIC converter, or from the HV-Port using a buck converter. Refer to the Texas Instruments [LM25118-Q1](#) and [LM5118-Q1](#) to implement a buck-boost converter, the [LM5001-Q1](#) to implement a SEPIC converter, or the [LM5160-Q1](#) and [LM5161-Q1](#) to implement a buck converter.

The total load current of the bias supply is mainly determined by the total MOSFET gate charge Q_g . Assume the system employs multiple LM5170s to implement M number of phases, and each phase uses N number of MOSFETs in parallel as one switch. There are $2 \times N$ MOSFETs per phase to drive. Then the total current to drive these MOSFETs through VCC bias supply is determined by 方程式 60.

$$I_{VCC} = 2 \times M \times N \times Q_g \times F_{sw} + M \times 5 \text{ mA} \quad (60)$$

where

- 5 mA is the worst case maximum current used by the control logic circuit of each phase

In an example of a four-phase system employing two paralleled MOSFETs for one switch, where $M = 4$, $N = 2$, $Q_g = 100 \text{ nC}$, and $F_{sw} = 100 \text{ kHz}$, the bias supply must be able to support at least the following total load current:

$$I_{VCC} \geq 2 \times 4 \times 2 \times 100 \text{ nC} \times 100 \text{ kHz} + 4 \times 5 \text{ mA} = 180 \text{ mA} \quad (61)$$

In an example of an eight-phase system employing the same parallel MOSFETs for one switch, the bias supply must be able to support the following total load current:

$$I_{VCC_8ph} = 2 \times 8 \times 2 \times 100 \text{ nC} \times 100 \text{ kHz} + 8 \times 5 \text{ mA} = 360 \text{ mA} \quad (62)$$

The VCC AC bypass ceramic capacitor $C_{VCC} = 1$ to approximately 2.2 μF , rated at least 16 V, must be placed close to the VCC and PGND pins. Similarly, a ceramic capacitor $C_{VCCA} = 1 \mu\text{F}$, rated at least 16 V, must be placed close to the VCCA and AGND pins. Place a 24- Ω resistor between VCC and VCCA pins.

9.2.1.2.9 Bootstrap

Select a ceramic capacitor $C_{HB1} = C_{HB2} = 0.1$ to approximately 0.22 μF , placed close to the HB and SW pins. The fast switching diode of the forward current rated at 1-A and reverse voltage not lower than V_{HV_max} must be selected as the bootstrap diode, through which the boot capacitor C_{HB1} or C_{HB2} is charged by VCC. To reduce the noise caused by the fast charging current, a 2- Ω to 5- Ω current limiting resistor must be placed in series with each boot diode.

9.2.1.2.10 RAMP Generators

According to [方程式 14](#), the ramp generator must be selected such that a peak voltage of 5 V is produced each cycle when the HV-Port voltage is 48 V.

Select $C_{RAMP1} = C_{RAMP2} = 1 \text{ nF}$. Therefore,

$$R_{RAMP} = \frac{9.6}{F_{sw} \times C_{RAMP}} = \frac{9.6}{100 \text{ kHz} \times 1 \text{ nF}} = 96 \text{ k}\Omega \quad (63)$$

Choose the closest standard resistor value, namely:

$$R_{RAMP1} = R_{RAMP2} = 95.3 \text{ k}\Omega.$$

For optimal performance, C_{RAMP1} and C_{RAMP2} must be ceramic capacitors with tolerance not greater than 10%. Capacitors of the 5% or 1% C0G and NPO types are preferred.

9.2.1.2.11 OVP

As shown in [图 8-18](#) and [图 8-19](#), the HV-Port and LV-Port overvoltage protection thresholds can be programmed by R_{OVPA} and R_{OVPB} , respectively. These resistor values are determined by [方程式 64](#) and [方程式 65](#).

$$R_{OVPA} = \frac{1.185 \text{ V}}{V_{HV_max} - 1.185 \text{ V}} \times 3000 \text{ k}\Omega = \frac{1.185 \text{ V}}{70 \text{ V} - 1.185 \text{ V}} \times 3000 \text{ k}\Omega = 51.66 \text{ k}\Omega \quad (64)$$

$$R_{OVPB} = \frac{1.185 \text{ V}}{V_{LV_max} - 1.185 \text{ V}} \times 1000 \text{ k}\Omega = \frac{1.185 \text{ V}}{23 \text{ V} - 1.185 \text{ V}} \times 1000 \text{ k}\Omega = 54.3 \text{ k}\Omega \quad (65)$$

Select the closest standard resistor values. In this example, $R_{OVPA} = 51.1 \text{ k}\Omega$, and $R_{OVPB} = 54.9 \text{ k}\Omega$.

9.2.1.2.12 Dead Time

To use the built-in adaptive dead time, the DT pin must be connected to VCCA pin.

To program the dead time, follow [方程式 15](#) to select the resistor R_{DT} . To dynamically adjust the dead time with an external analog voltage signal, follow [方程式 19](#). To dynamically adjust the dead time with an external PWM signal, follow [方程式 20](#).

In the example circuit, the nominal dead time is selected to be 55 ns. According to [方程式 15](#), the programming resistor should be:

$$t_{DT} = R_{DT} \times 4 \frac{\text{ns}}{\text{k}\Omega} + 16 \text{ ns} \quad (66)$$

$$R_{DT} = \frac{t_{DT} - 16 \text{ ns}}{4} \times 1 \frac{\text{k}\Omega}{\text{ns}} = \frac{55 \text{ ns} - 16 \text{ ns}}{4} \times 1 \frac{\text{k}\Omega}{\text{ns}} = 9.75 \text{ k}\Omega \quad (67)$$

Select the standard value, $R_{DT} = 10 \text{ k}\Omega$.

9.2.1.2.13 IOOUT Monitors

TI recommends making the following selections:

$$R_{\text{IOOUT}1} = R_{\text{IOOUT}2} = 9.09 \text{ k}\Omega \quad (68)$$

$$C_{\text{IOOUT}1} = C_{\text{IOOUT}2} = 0.01 \mu\text{F} \quad (69)$$

Then the monitors' delay is determined by the following time constant:

$$\tau_{\text{IOOUT}} = R_{\text{IOOUT}1} \times C_{\text{IOOUT}1} = 9.09 \text{ k}\Omega \times 0.01 \mu\text{F} = 90.9 \mu\text{s} \quad (70)$$

At full load, the DC component of the monitor voltage is determined by:

$$V_{\text{IOOUT}1} = V_{\text{IOOUT}2} = \left(\frac{I_{\text{max}} \times R_{\text{CS}}}{200 \Omega} + 25 \mu\text{A} \right) \times R_{\text{IOOUT}1} = \left(\frac{30 \text{ A} \times 1 \text{ m}\Omega}{200 \Omega} + 25 \mu\text{A} \right) \times 9.09 \text{ k}\Omega = 1.591 \text{ V} \quad (71)$$

Because the inductor ripple current is 23.8 A, according to [方程式 11](#), the IOOUT peak to peak ripple current is:

$$\Delta I_{\text{IOOUT}1} = \frac{I_{\text{pk-pk}} \times R_{\text{CS}}}{200 \Omega} = \frac{23.8 \text{ A} \times 1 \text{ m}\Omega}{200 \Omega} = 119 \mu\text{A} \quad (72)$$

The RC filter corner frequency is thus given by:

$$F_{\text{IOOUT}} = \frac{1}{6.28 \times R_{\text{IOOUT}} \times C_{\text{IOOUT}}} = \frac{1}{6.28 \times 9.09 \text{ k}\Omega \times 10 \text{ nF}} = 1.75 \text{ kHz} \quad (73)$$

The resulting peak-to-peak monitor ripple voltage is approximately determined by:

$$\Delta V_{\text{IOOUT}} = \Delta I_{\text{IOOUT}1} \times R_{\text{IOOUT}} \times 10^{-\log\left(\frac{F_{\text{sw}}}{F_{\text{IOOUT}}}\right)} = 119 \mu\text{A} \times 9.09 \text{ k}\Omega \times 10^{-\log\left(\frac{100\text{kHz}}{1.75\text{kHz}}\right)} = 19 \text{ mV} \quad (74)$$

Which is approximately 1.1% peak-to-peak ripple on top of the full load DC monitor voltage. Increasing C_{IOOUT} value further attenuate the ripple voltage, but also causes longer monitor delays.

9.2.1.2.14 UVLO Pin Usage

The example circuit uses the UVLO pin as the master enable pin of the LM5170. However, the UVLO pin can also fulfill the function of undervoltage lockout, either the 48-V rail UVLO, 12-V rail UVLO, or VCC UVLO.

Assume you implement the 48-V rail UVLO and the low-side resistor $R_{\text{UVLO}2} = 10 \text{ k}\Omega$, the 48-V UVLO release threshold $V_{\text{UVLO}} = 24 \text{ V}$, and UVLO hysteresis is $V_{\text{HYS}} = 2.4 \text{ V}$. Referring to [图 8-29](#) and [方程式 21](#), you can find that $R_{\text{UVLO}1}$ is given by:

$$R_{\text{UVLO}1} = \frac{V_{\text{UVLO}} - 2.5 \text{ V}}{2.5 \text{ V}} \times R_{\text{UVLO}2} = \frac{24 \text{ V} - 2.5 \text{ V}}{2.5 \text{ V}} \times 10 \text{ k}\Omega = 86 \text{ k}\Omega \quad (75)$$

The final selection must select the closest standard resistor of $R_{\text{UVLO}1} = 86.6 \text{ k}\Omega$.

And R_{UVLO3} must satisfy 方程式 23, namely,

$$R_{UVLO3} = \frac{\frac{V_{HYS}}{25 \mu A} - R_{UVLO1}}{1 + \frac{R_{UVLO1}}{R_{UVLO2}}} = \frac{\frac{2.4 V}{25 \mu A} - 86.6 k\Omega}{1 + \frac{86.6 k\Omega}{10 k\Omega}} = 0.973 k\Omega \quad (76)$$

Select the closest standard resistor, $R_{UVLO1} = 976 \Omega$.

If you choose to add the capacitor $C_{UVLO} = 1 nF$, it leads to a delay time constant of $10 \mu s$ to filter possible noise at the at the UVLO pin.

9.2.1.2.15 VIN Pin Configuration

The VIN pin must always be connected to the HV voltage rail. It is good practice to add a small RC filter to improve the VIN noise immunity, as shown in 图 9-11. Usually the filter resistor selection is 10 to 20Ω , and the bypass capacitor is $0.1 \mu F$ to $1.0 \mu F$.

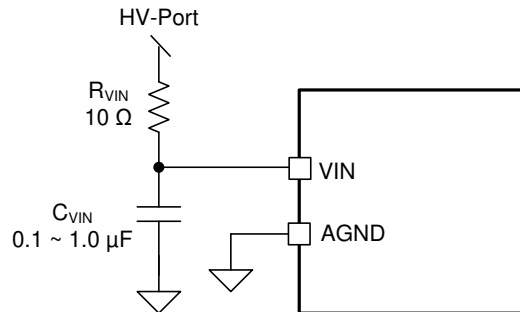


图 9-11. VIN Pin Configuration

9.2.1.2.16 Loop Compensation

Assuming the total resistance along the current path including the external power cables, PCB current tracks, and battery internal impedances is $50 m\Omega$, according to 方程式 36, the compensation network for the inner current loop is determined by:

$$\left\{ \begin{aligned} R_{COMP} &= \frac{K_{FF}}{50 \times R_{CS} \times G_m} \times |2i \times \pi \times f_{CO} \times L_m + (R_{CS} + R_S)| = \frac{0.104}{50 \times 1 m\Omega \times 1 mA/V} \times |2i \times \pi \times 10 kHz \times 4.7 \mu H + 51 m\Omega| = 0.623 k\Omega \\ C_{COMP} &= \frac{L_m}{(R_{CS} + R_S) \times R_{COMP}} = \frac{4.7 \mu H}{(50 m\Omega + 1 m\Omega) \times 0.623 k\Omega} = 147 nF \\ C_{HF} &= \frac{C_{COMP}}{100} = 1.47 nF \end{aligned} \right. \quad (77)$$

Selecting the closest standard values for the compensation network, namely,

$$R_{\text{COMP1}} = R_{\text{COMP2}} = 634 \, \Omega$$

$$C_{\text{COMP1}} = C_{\text{COMP2}} = 150 \, \text{nF}$$

$$C_{\text{HF1}} = C_{\text{HF2}} = 1 \, \text{nF}$$

These initial component selections produce a total loop phase margin of 90° , which is larger than necessary. Fine tune the loop compensation by reselecting $C_{\text{COMP1}} = C_{\text{COMP2}} = 15 \, \text{nF}$, then the phase margin is 45° for an optimal dynamic performance.

图 9-12 shows the Bode Plots of the power plant, the compensation gain, and the resulting total open loop.

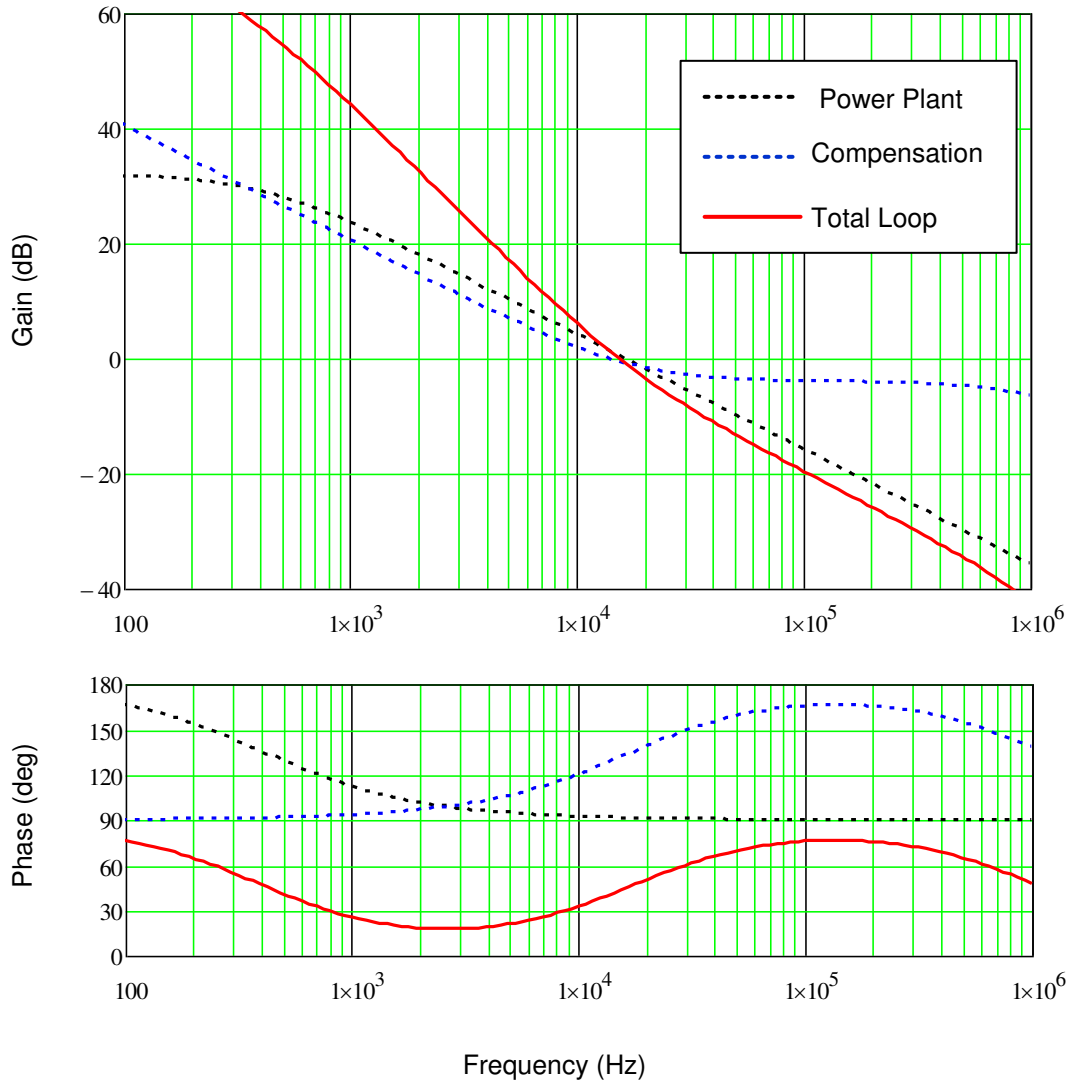


图 9-12. Bode Plots of the Example Converter

9.2.1.2.17 Soft Start

Soft start can be programmed with a ceramic capacitor C_{SS} . Note that C_{SS} also determines the retry frequency when the converter is in an under overvoltage condition (OVPA or OVPB). Because the soft start completes when the SS pin voltage reaches approximately 5 V, the capacitor C_{SS} can be chosen by 方程式 78 to limit the full load start-up time within $\Delta T_{\text{SS}} = 2 \, \text{ms}$:

$$C_{SS} = \frac{25 \mu\text{A} \times \Delta T_{SS}}{5 \text{ V}} = \frac{25 \mu\text{A} \times 2 \text{ ms}}{5 \text{ V}} = 10 \text{ nF} \quad (78)$$

Select the closest standard ceramic capacitor, that is, $C_{SS} = 10 \text{ nF}$.

9.2.1.2.18 ISET Pins

To control the current setting by an analog voltage, ground the ISETD pin. To control the current setting by a PWM signal, there are two options to choose.

The first option is to use the built-in ISETD-to-ISETA decoder as shown in 图 8-4. The PWM duty cycle to ISETA voltage conversion ratio satisfies 方程式 8. The selection of C_{ISETA} and F_{ISETD} must be constrained by 方程式 1 and 方程式 4. The advantages of this option include convenience and current control accuracy. The drawback is the delay it can cause.

Another option is to use an external two-stage RC filter to convert the PWM ISETD signal to a DC voltage feeding the ISETA pin as shown in 图 9-13. To achieve the same ISETA ripple voltage, this option only requires $C_{ISETA} = 1.5 \text{ nF}$, and the delay time of this two-stage filter is only 10% of the built-in decoder, or $15 \mu\text{s}$ versus the built-in $150 \mu\text{s}$ of the decoder. The drawback of this option is the conversion errors if the PWM signal voltage levels are not well regulated. This option is more suitable for operation under a closed digital outer voltage loop because the ISETD to ISETA conversion error can be readily compensated by the closed outer voltage loop.

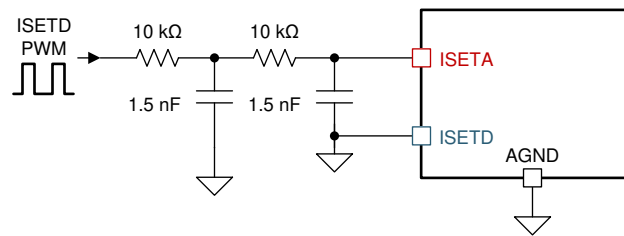


图 9-13. Two-Stage RC Filter to Convert the PWM into an Analog Voltage at the ISETA Pin

9.2.1.3 Application Curves

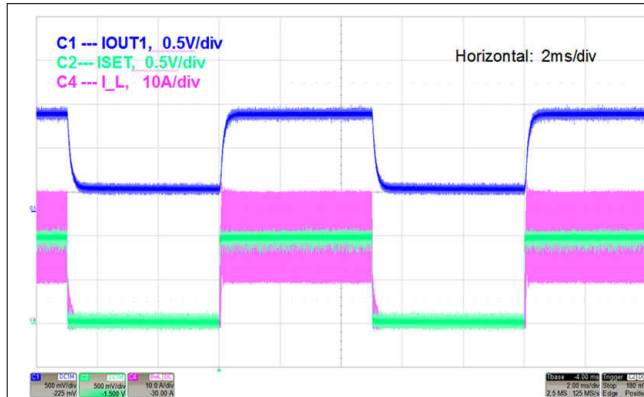


图 9-14. Channel Inductor Current and IOUT Tracking ISETA Command

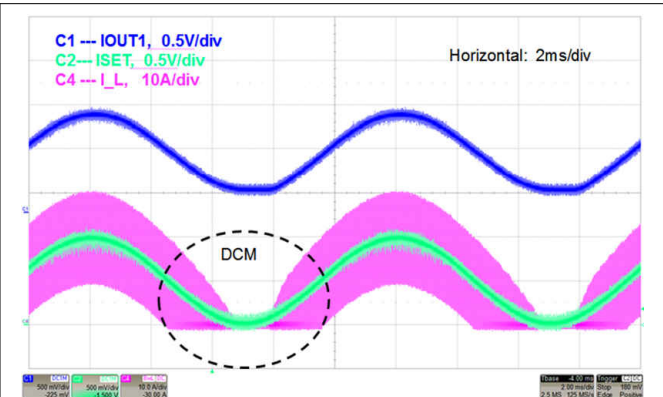


图 9-15. Diode Emulation Prevents Negative Current

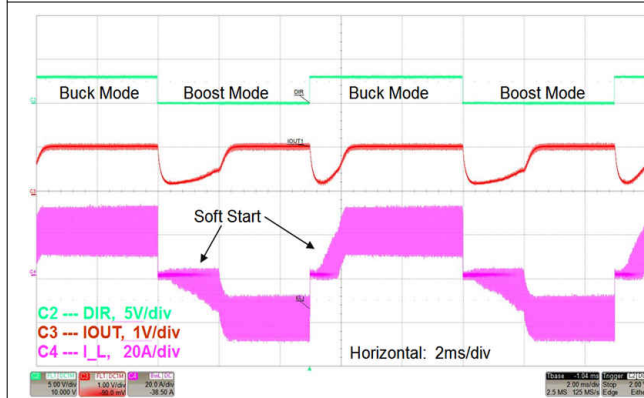


图 9-16. Channel Inductor Current and Monitor Responses to Dynamic DIR Change

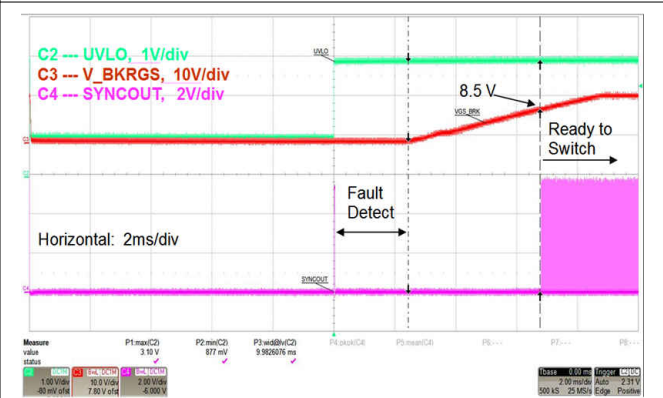


图 9-17. Start-Up Sequence Following UVLO Enable

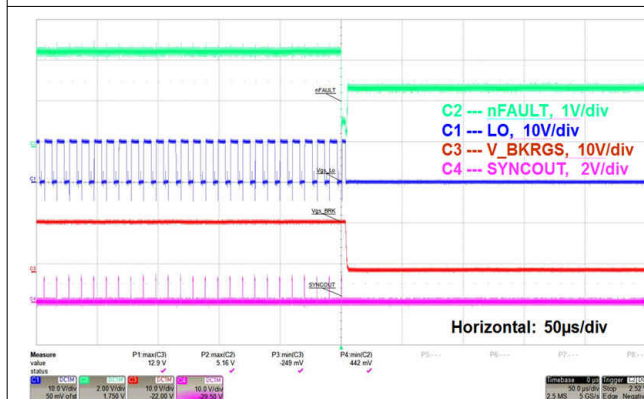


图 9-18. nFAULT Shutdown Latch

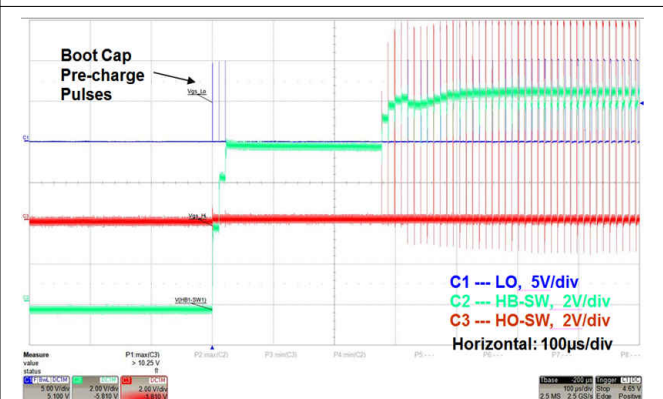


图 9-19. Boot Capacitor Pre-Charge During Start-Up in Buck Mode

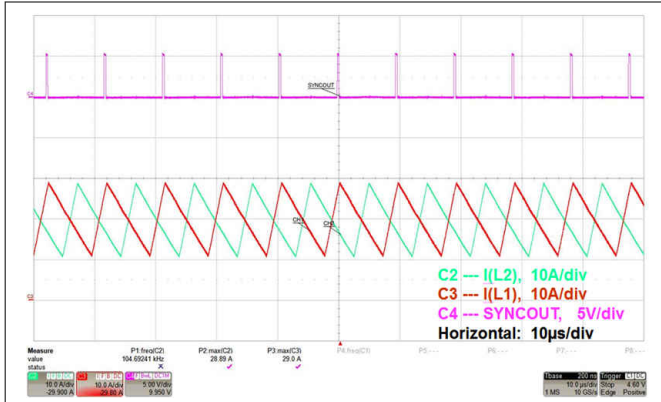


图 9-20. Dual-Channel Interleaving Operation: Buck Mode

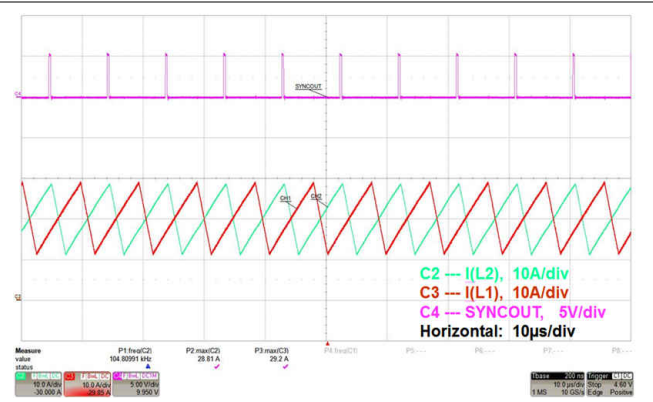


图 9-21. Dual-Channel Interleaving Operation: Boost Mode

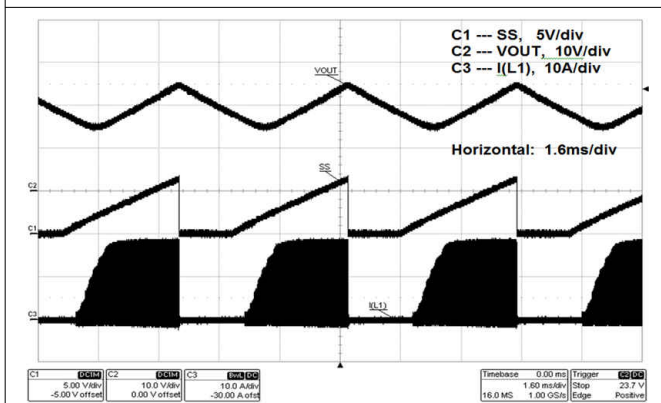


图 9-22. LV-Port OVP: Buck Mode

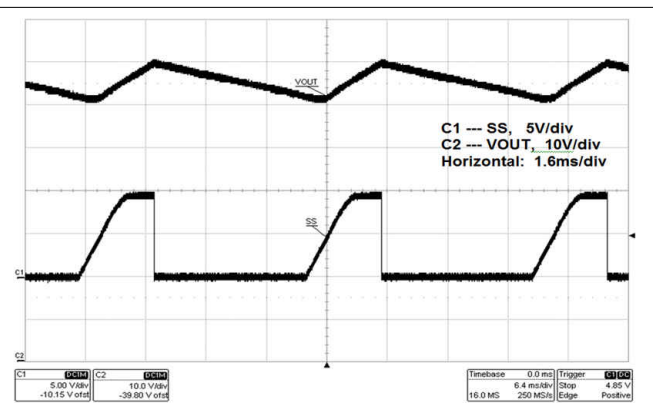


图 9-23. HV-Port OVP: Boost Mode

10 Power Supply Recommendations

The LM5170-based converter is designed to operate with two differential voltage rails like the 48-V and 12-V dual battery system, or a storage system having a battery on one end and the Super-Cap on the other end. When operating with bench power supplies, each supply should be capable of sourcing and sinking the maximum operating current. This can require to parallel an Electronic load (E-Load) with the bench power supply (PS) to emulate the batteries, as shown in 图 10-1.

It can also be used with a voltage source on one end and a load on the other end if the outer voltage control loop is closed. The outer voltage loop can be implemented either with digital means like an MCU or with analog circuit, as shown in 图 9-6 and 图 9-7.

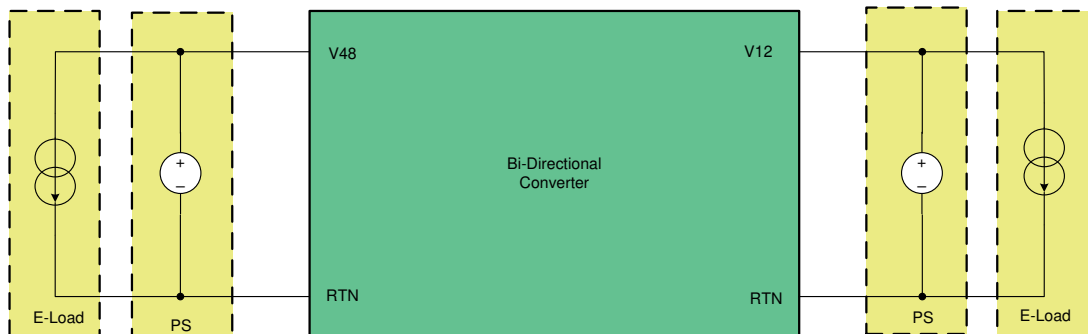


图 10-1. Emulated Dual Battery System With Bench Power Supplies and E-Loads

11 Layout

11.1 Layout Guidelines

Careful PCB layout is critical to achieve low EMI and stable power supply operation as well as optimal efficiency. Make the high frequency current loops as small as possible, and follow these guidelines of good layout practices:

1. For high-power board design, use at least a 4-layer PCB of 2-oz or thicker copper planes. Make the first inner layer a ground plane that is adjacent to the top layer on which the power components are installed, and use the second inner layer for the critical control signals including the current sense, gate drive, commands, and so forth. The ground plane between the signal and top layers helps shield switching noises on the top layer away from affecting the control signals.
2. Optimize the component placements and orientations before routing any traces. Place the power components such that the power flow from port to port is direct, straight and short. Avoid making the power flow path zigzag on the board.
3. Identify the high frequency AC current loops. In the bidirectional converter, the AC current loop of each channel is along the path of the HV-port rail capacitors, high-side MOSFET, low-side MOSFET, and back to the return of the HV-port rail capacitors. Place these components such that the current flow path is short, direct and the special area enclosed by the loop is minimized.
4. Place the power circuit symmetrically between CH-1 and CH-2. Split the HV-port rail capacitors and LV-port rail capacitors evenly between CH-1 and CH-2.
5. If more than one LM5170 is used on the same PCB for multi phases, place the circuits of each LM5170 in the similar pattern.
6. Use adequate copper for the power circuit, so as to minimize the conduction losses on high-current PCB tracks. Adequate copper can also help dissipate the heat generated by the power components, especially the power inductors, power MOSFETs, and current sense resistors. However, pay attention to the polygon of the switch node, which connects the high-side MOSFET source, low-side MOSFET drain, power inductor, and the controller SW pin. The switch node polygon sees high dv/dt during switching operation. To minimize the EMI emission by the switch node polygon, make its size sufficient but not excessive to conduct the switched current.
7. Use appropriate number of via holes to conduct current to, and heat through, the inner layers.
8. Always separate the power ground from the analog ground, and make a single point connection of the power ground, analog ground, and the EP pad, at the location of the PGND pin.
9. Minimize current-sensing errors by routing each pair of CSA and CSB traces using a kelvin-sensing directly across the current sense resistors. The pair of traces must be routed closely side by side for good noise immunity.
10. Route sensitive analog signals of the CS, IOUT, COMP, OVPA, and OVPB pins away from the high-speed switching nodes (HB, HO, LO, and SW).
11. Route the paired gate drive traces, namely the pairs of HO1 and SW1, HO2 and SW2, LO1 and return, and LO2 and return, closely side by side. Route CH-1 gate drive traces in symmetry with CH-2's.
12. Place the IC setting, programming and controlling components as close as possible to the corresponding pins, including the following component: R_{OSC} , R_{DT} , R_{IPK} , C_{RAMP1} , C_{RAMP2} , R_{OVPA} , R_{OVPB} , C_{ISETA} , C_{COMP1} , R_{COMP2} , C_{COMP1} , C_{COMP2} , C_{HF1} , and C_{HF2} .
13. Place the bypass capacitors as close as possible to the corresponding pins, including C_{VIN} , C_{VCC} , C_{VCCA} , C_{HB1} , C_{HB2} , C_{OPVA} , C_{OVPB} , as well as the 100-pF current sense common-mode bypassing capacitors.
14. Flood each layer with copper to take up the empty areas for optimal thermal performance.
15. Apply heat sink to components as necessary according to the system requirements.

11.2 Layout Examples

The following figures are some examples illustrating these layout guidelines. For the detailed PCB layout artwork of the LM5170-Q1 Evaluation Module (LM5170EVM-BIDIR), please refer to the [LM5170-Q1 EVM User's Guide](#) (SNVU543).

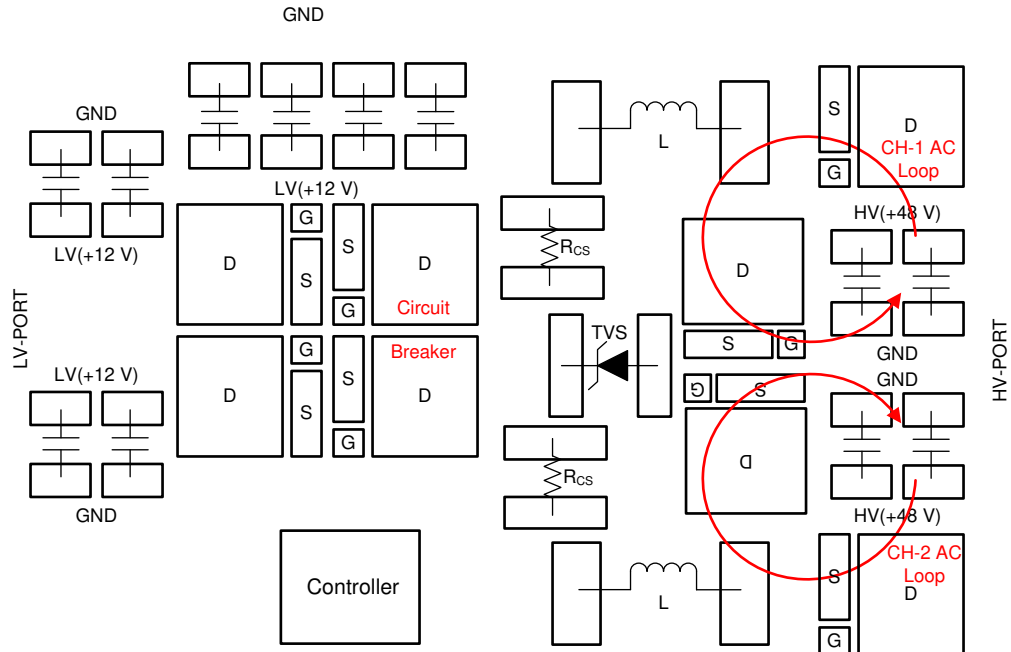


图 11-1. A Layout Example of Dual-Channel Power Circuit Placement

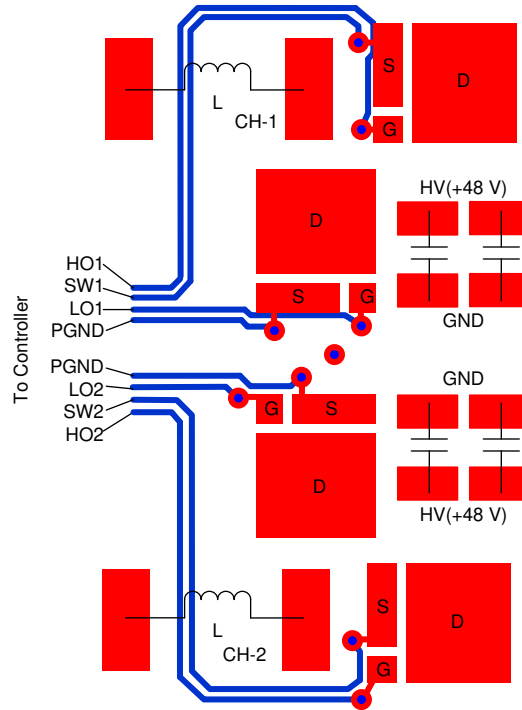


图 11-2. A Layout Example of MOSFET Gate Drive Routing



(a) Kelvin Contact of Resistor without Sense Pins



(b) Kelvin Contact of Resistor with Sense Pins

图 11-3. A Layout Example of Current Sense Routing

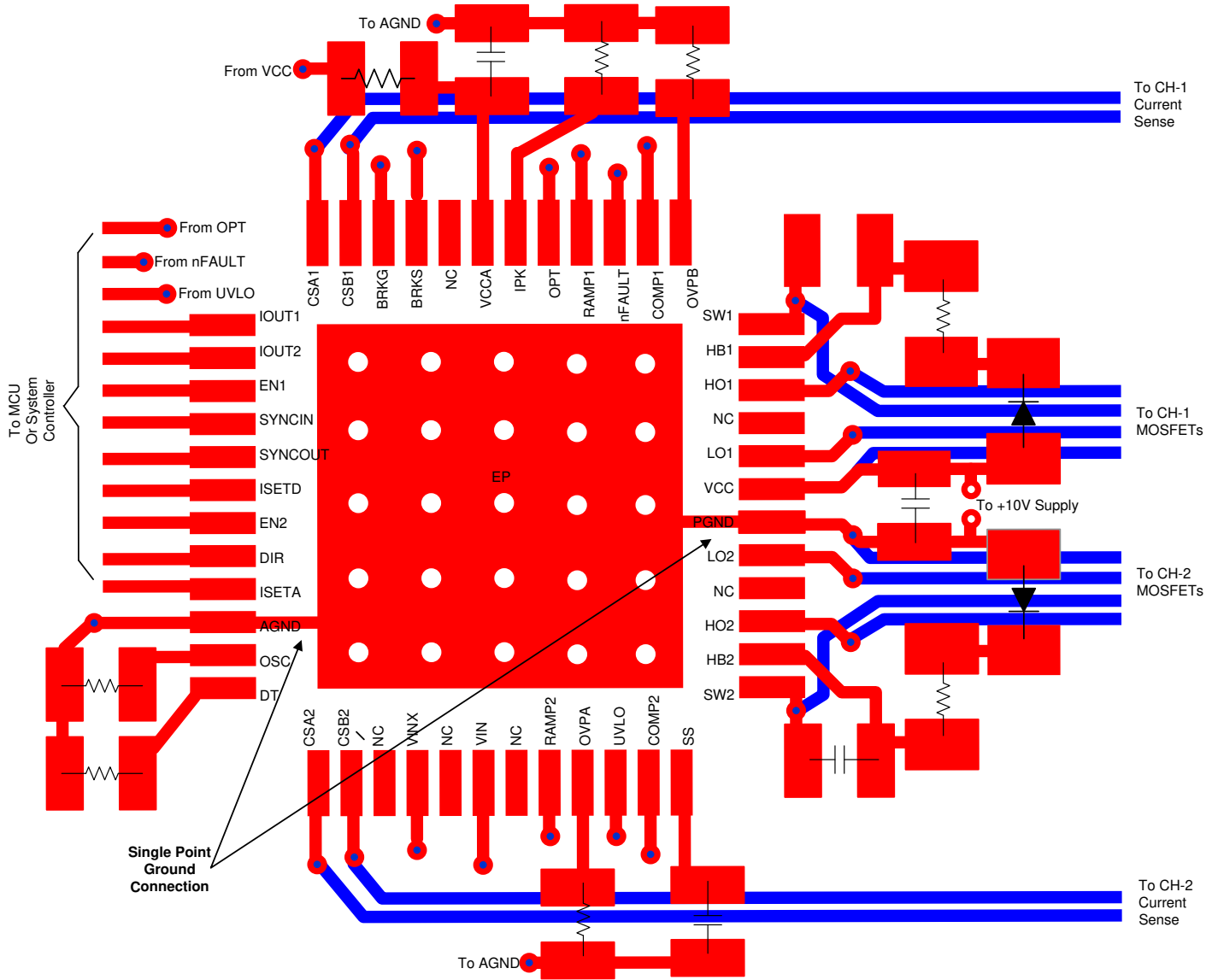


图 11-4. A Layout Example of LM5170 Critical Signal Routing

12 Device and Documentation Support

12.1 Device Support

12.1.1 Development Support

For development support, see the following:

- [LM25118-Q1](#)
- [LM5118-Q1](#)
- [LM5001-Q1](#)
- [LM5160-Q1](#)
- [LM5161-Q1](#)

12.2 接收文档更新通知

要接收文档更新通知，请导航至 [ti.com](#) 上的器件产品文件夹。点击 [订阅更新](#) 进行注册，即可每周接收产品信息更改摘要。有关更改的详细信息，请查看任何已修订文档中包含的修订历史记录。

12.3 支持资源

[TI E2E™ 支持论坛](#) 是工程师的重要参考资料，可直接从专家获得快速、经过验证的解答和设计帮助。搜索现有解答或提出自己的问题可获得所需的快速设计帮助。

链接的内容由各个贡献者“按原样”提供。这些内容并不构成 TI 技术规范，并且不一定反映 TI 的观点；请参阅 TI 的 [《使用条款》](#)。

12.4 Trademarks

TI E2E™ is a trademark of Texas Instruments.

所有商标均为其各自所有者的财产。

12.5 Electrostatic Discharge Caution



This integrated circuit can be damaged by ESD. Texas Instruments recommends that all integrated circuits be handled with appropriate precautions. Failure to observe proper handling and installation procedures can cause damage.

ESD damage can range from subtle performance degradation to complete device failure. Precision integrated circuits may be more susceptible to damage because very small parametric changes could cause the device not to meet its published specifications.

12.6 术语表

[TI 术语表](#) 本术语表列出并解释了术语、首字母缩略词和定义。

13 Mechanical, Packaging, and Orderable Information

The following pages include mechanical, packaging, and orderable information. This information is the most current data available for the designated devices. This data is subject to change without notice and revision of this document. For browser-based versions of this data sheet, refer to the left-hand navigation.

重要声明和免责声明

TI 提供技术和可靠性数据 (包括数据表)、设计资源 (包括参考设计)、应用或其他设计建议、网络工具、安全信息和其他资源, 不保证没有瑕疵且不做任何明示或暗示的担保, 包括但不限于对适销性、某特定用途方面的适用性或不侵犯任何第三方知识产权的暗示担保。

这些资源可供使用 TI 产品进行设计的熟练开发人员使用。您将自行承担以下全部责任: (1) 针对您的应用选择合适的 TI 产品, (2) 设计、验证并测试您的应用, (3) 确保您的应用满足相应标准以及任何其他安全、安保或其他要求。这些资源如有变更, 恕不另行通知。TI 授权您仅可将这些资源用于研发本资源所述的 TI 产品的应用。严禁对这些资源进行其他复制或展示。您无权使用任何其他 TI 知识产权或任何第三方知识产权。您应全额赔偿因在这些资源的使用中对 TI 及其代表造成的任何索赔、损害、成本、损失和债务, TI 对此概不负责。

TI 提供的产品受 TI 的销售条款 (<https://www.ti.com/legal/termsofsale.html>) 或 [ti.com](https://www.ti.com) 上其他适用条款/TI 产品随附的其他适用条款的约束。TI 提供这些资源并不会扩展或以其他方式更改 TI 针对 TI 产品发布的适用的担保或担保免责声明。

邮寄地址: Texas Instruments, Post Office Box 655303, Dallas, Texas 75265
Copyright © 2021, 德州仪器 (TI) 公司

PACKAGING INFORMATION

Orderable Device	Status (1)	Package Type	Package Drawing	Pins	Package Qty	Eco Plan (2)	Lead finish/ Ball material (6)	MSL Peak Temp (3)	Op Temp (°C)	Device Marking (4/5)	Samples
LM5170PHPR	ACTIVE	HTQFP	PHP	48	1000	RoHS & Green	NIPDAU	Level-3-260C-168 HR	-40 to 125	LM5170	Samples
LM5170PHPT	ACTIVE	HTQFP	PHP	48	250	RoHS & Green	NIPDAU	Level-3-260C-168 HR	-40 to 125	LM5170	Samples

(1) The marketing status values are defined as follows:

ACTIVE: Product device recommended for new designs.

LIFEBUY: TI has announced that the device will be discontinued, and a lifetime-buy period is in effect.

NRND: Not recommended for new designs. Device is in production to support existing customers, but TI does not recommend using this part in a new design.

PREVIEW: Device has been announced but is not in production. Samples may or may not be available.

OBSELETE: TI has discontinued the production of the device.

(2) **RoHS:** TI defines "RoHS" to mean semiconductor products that are compliant with the current EU RoHS requirements for all 10 RoHS substances, including the requirement that RoHS substance do not exceed 0.1% by weight in homogeneous materials. Where designed to be soldered at high temperatures, "RoHS" products are suitable for use in specified lead-free processes. TI may reference these types of products as "Pb-Free".

RoHS Exempt: TI defines "RoHS Exempt" to mean products that contain lead but are compliant with EU RoHS pursuant to a specific EU RoHS exemption.

Green: TI defines "Green" to mean the content of Chlorine (Cl) and Bromine (Br) based flame retardants meet JS709B low halogen requirements of <=1000ppm threshold. Antimony trioxide based flame retardants must also meet the <=1000ppm threshold requirement.

(3) MSL, Peak Temp. - The Moisture Sensitivity Level rating according to the JEDEC industry standard classifications, and peak solder temperature.

(4) There may be additional marking, which relates to the logo, the lot trace code information, or the environmental category on the device.

(5) Multiple Device Markings will be inside parentheses. Only one Device Marking contained in parentheses and separated by a "~" will appear on a device. If a line is indented then it is a continuation of the previous line and the two combined represent the entire Device Marking for that device.

(6) Lead finish/Ball material - Orderable Devices may have multiple material finish options. Finish options are separated by a vertical ruled line. Lead finish/Ball material values may wrap to two lines if the finish value exceeds the maximum column width.

Important Information and Disclaimer:The information provided on this page represents TI's knowledge and belief as of the date that it is provided. TI bases its knowledge and belief on information provided by third parties, and makes no representation or warranty as to the accuracy of such information. Efforts are underway to better integrate information from third parties. TI has taken and continues to take reasonable steps to provide representative and accurate information but may not have conducted destructive testing or chemical analysis on incoming materials and chemicals. TI and TI suppliers consider certain information to be proprietary, and thus CAS numbers and other limited information may not be available for release.

In no event shall TI's liability arising out of such information exceed the total purchase price of the TI part(s) at issue in this document sold by TI to Customer on an annual basis.

OTHER QUALIFIED VERSIONS OF LM5170 :

- Automotive : [LM5170-Q1](#)

NOTE: Qualified Version Definitions:

- Automotive - Q100 devices qualified for high-reliability automotive applications targeting zero defects

TAPE AND REEL INFORMATION

QUADRANT ASSIGNMENTS FOR PIN 1 ORIENTATION IN TAPE


*All dimensions are nominal

Device	Package Type	Package Drawing	Pins	SPQ	Reel Diameter (mm)	Reel Width W1 (mm)	A0 (mm)	B0 (mm)	K0 (mm)	P1 (mm)	W (mm)	Pin1 Quadrant
LM5170PHPR	HTQFP	PHP	48	1000	330.0	16.4	9.6	9.6	1.5	12.0	16.0	Q2
LM5170PHPT	HTQFP	PHP	48	250	330.0	16.4	9.6	9.6	1.5	12.0	16.0	Q2

TAPE AND REEL BOX DIMENSIONS


*All dimensions are nominal

Device	Package Type	Package Drawing	Pins	SPQ	Length (mm)	Width (mm)	Height (mm)
LM5170PHPR	HTQFP	PHP	48	1000	336.6	336.6	31.8
LM5170PHPT	HTQFP	PHP	48	250	336.6	336.6	31.8

GENERIC PACKAGE VIEW

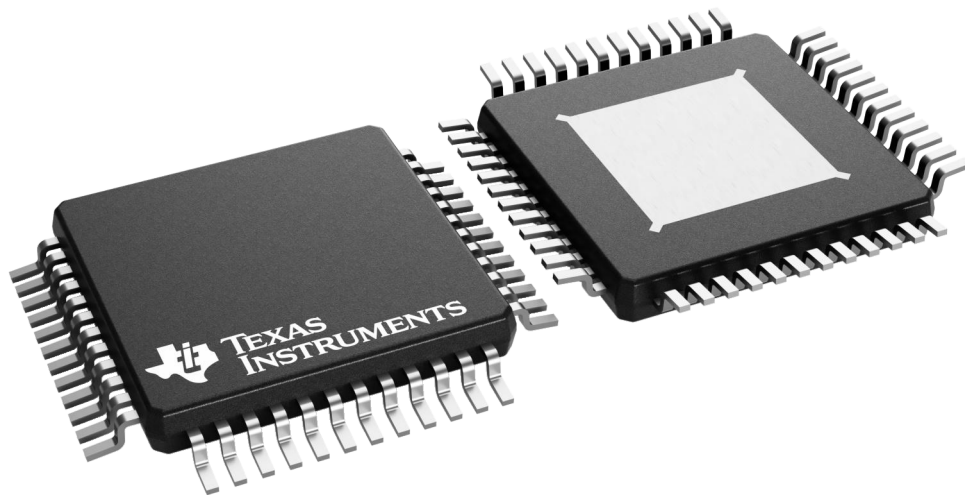
PHP 48

TQFP - 1.2 mm max height

7 x 7, 0.5 mm pitch

QUAD FLATPACK

This image is a representation of the package family, actual package may vary.
Refer to the product data sheet for package details.



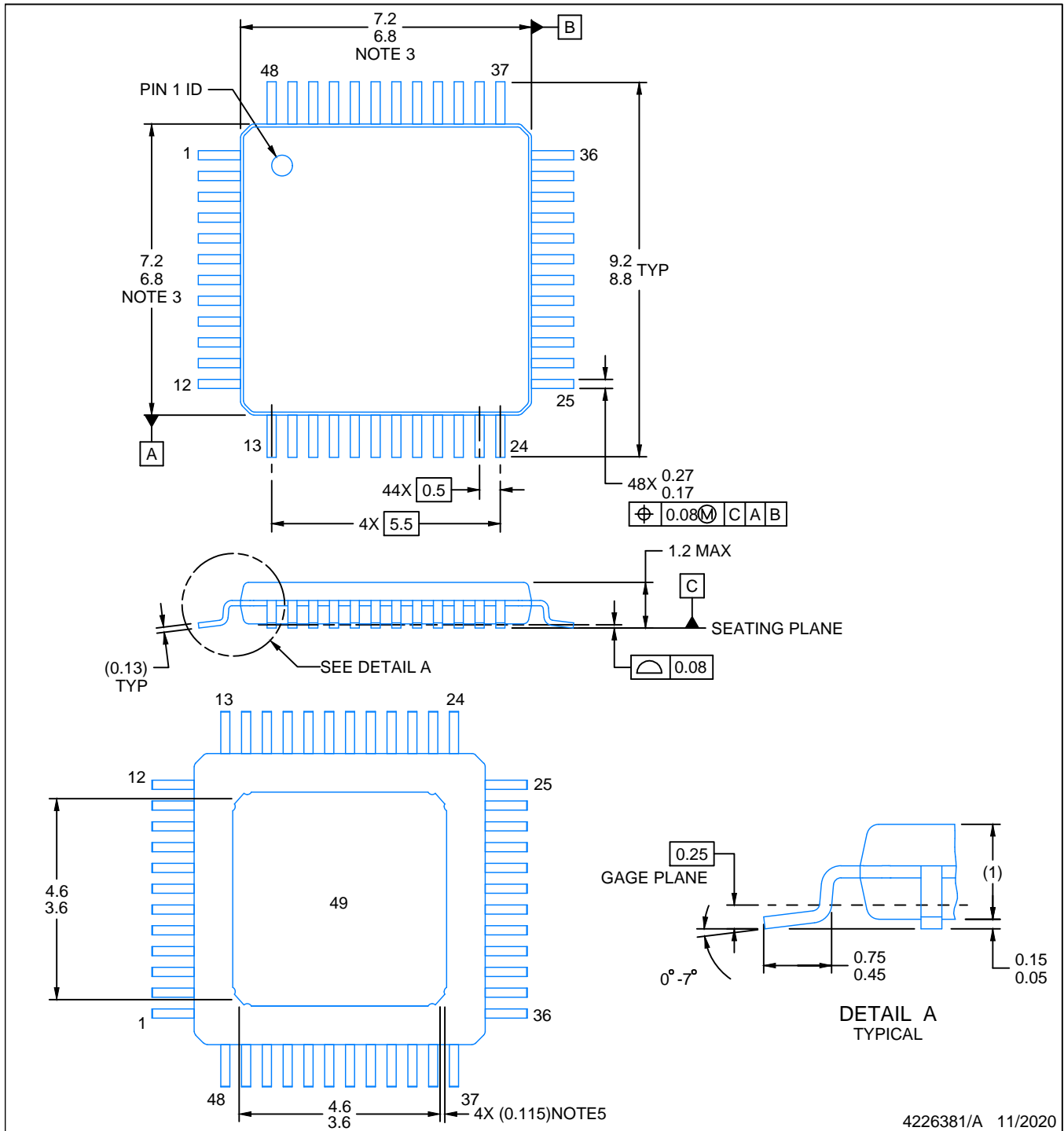
4226443/A

PACKAGE OUTLINE

PHP0048C

PowerPAD™ TQFP - 1.2 mm max height

PLASTIC QUAD FLATPACK



4226381/A 11/2020

PowerPAD is a trademark of Texas Instruments.

NOTES:

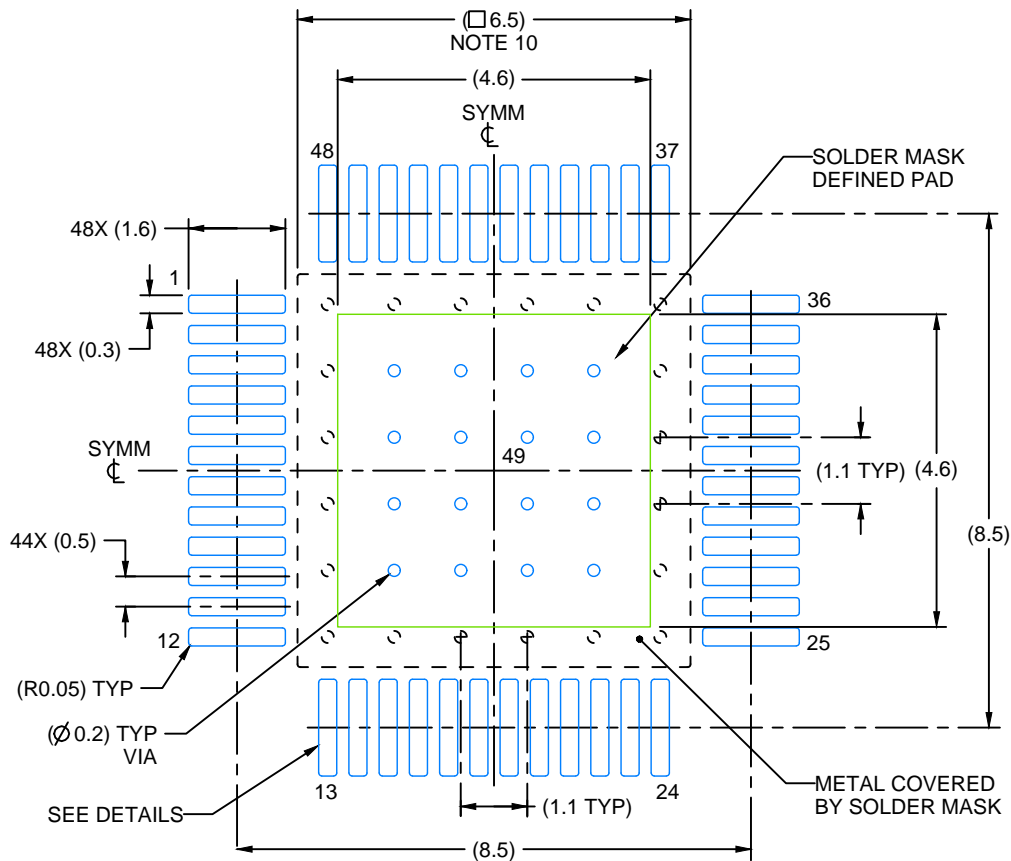
- All linear dimensions are in millimeters. Any dimensions in parenthesis are for reference only. Dimensioning and tolerancing per ASME Y14.5M.
- This drawing is subject to change without notice.
- This dimension does not include mold flash, protrusions, or gate burrs. Mold flash, protrusions, or gate burrs shall not exceed 0.15 mm per side.
- Reference JEDEC registration MS-026.
- Feature may not be present.

EXAMPLE BOARD LAYOUT

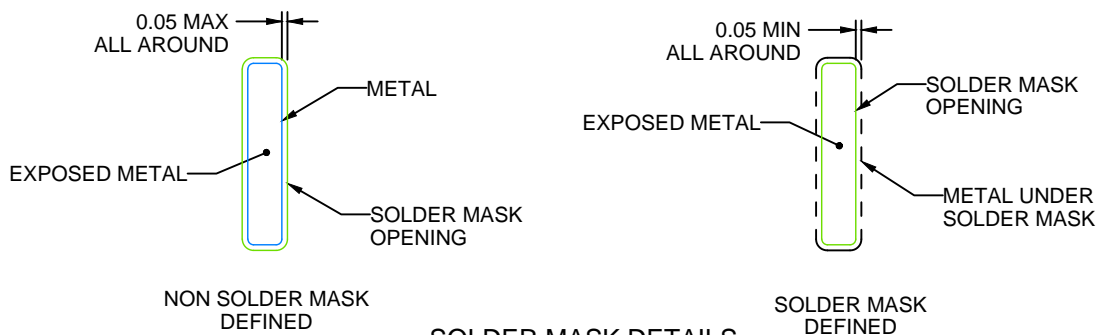
PHP0048C

PowerPAD™ TQFP - 1.2 mm max height

PLASTIC QUAD FLATPACK



LAND PATTERN EXAMPLE
EXPOSED METAL SHOWN
SCALE:8X



SOLDER MASK DETAILS

4226381/A 11/2020

NOTES: (continued)

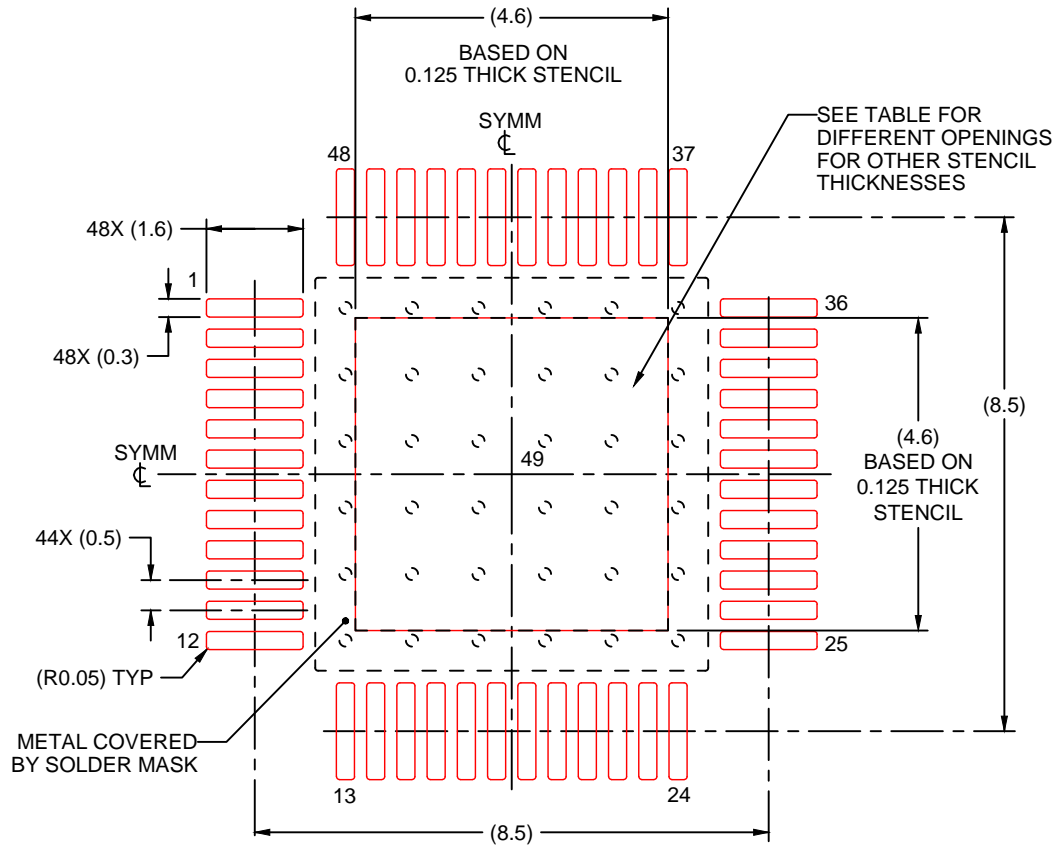
6. Publication IPC-7351 may have alternate designs.
7. Solder mask tolerances between and around signal pads can vary based on board fabrication site.
8. This package is designed to be soldered to a thermal pad on the board. See technical brief, Powerpad thermally enhanced package, Texas Instruments Literature No. SLMA002 (www.ti.com/lit/slma002) and SLMA004 (www.ti.com/lit/slma004).
9. Vias are optional depending on application, refer to device data sheet. It is recommended that vias under paste be filled, plugged or tented.
10. Size of metal pad may vary due to creepage requirement.

EXAMPLE STENCIL DESIGN

PHP0048C

PowerPAD™ TQFP - 1.2 mm max height

PLASTIC QUAD FLATPACK



SOLDER PASTE EXAMPLE
EXPOSED PAD
100% PRINTED SOLDER COVERAGE BY AREA
SCALE:8X

STENCIL THICKNESS	SOLDER STENCIL OPENING
0.1	5.14 X 5.14
0.125	4.6 X 4.6 (SHOWN)
0.150	4.2 X 4.2
0.175	3.89 X 3.89

4226381/A 11/2020

NOTES: (continued)

11. Laser cutting apertures with trapezoidal walls and rounded corners may offer better paste release. IPC-7525 may have alternate design recommendations.
12. Board assembly site may have different recommendations for stencil design.

重要声明和免责声明

TI 提供技术和可靠性数据（包括数据表）、设计资源（包括参考设计）、应用或其他设计建议、网络工具、安全信息和其他资源，不保证没有瑕疵且不做任何明示或暗示的担保，包括但不限于对适销性、某特定用途方面的适用性或不侵犯任何第三方知识产权的暗示担保。

这些资源可供使用 TI 产品进行设计的熟练开发人员使用。您将自行承担以下全部责任：(1) 针对您的应用选择合适的 TI 产品，(2) 设计、验证并测试您的应用，(3) 确保您的应用满足相应标准以及任何其他安全、安保或其他要求。这些资源如有变更，恕不另行通知。TI 授权您仅可将这些资源用于研发本资源所述的 TI 产品的应用。严禁对这些资源进行其他复制或展示。您无权使用任何其他 TI 知识产权或任何第三方知识产权。您应全额赔偿因在这些资源的使用中对 TI 及其代表造成的任何索赔、损害、成本、损失和债务，TI 对此概不负责。

TI 提供的产品受 TI 的销售条款 (<https://www.ti.com.cn/zh-cn/legal/termsofsale.html>) 或 [ti.com.cn](https://www.ti.com.cn) 上其他适用条款/TI 产品随附的其他适用条款的约束。TI 提供这些资源并不会扩展或以其他方式更改 TI 针对 TI 产品发布的适用的担保或担保免责声明。

邮寄地址：上海市浦东新区世纪大道 1568 号中建大厦 32 楼，邮政编码：200122

Copyright © 2021 德州仪器半导体技术（上海）有限公司