

LMP92018 Analog System Monitor and Controller

Check for Samples: [LMP92018](#)

FEATURES

- **8 ANALOG VOLTAGE MONITORING CHANNELS**
 - 10-Bit ADC with Programmable Input MUX
 - Internal/External Reference
 - Tolerates High-Source Impedance at Lower Sampling Rates
- **4 PROGRAMMABLE ANALOG VOLTAGE OUTPUTS**
 - Four 10-Bit DACs
 - Internal/External Reference
 - Drives Loads up to 1nF
- **VOLTAGE REFERENCE**
 - User-Selectable Source: External or Internal
 - Internal Reference 2.5V
- **TEMPERATURE SENSOR**
 - $\pm 2.5^{\circ}\text{C}$ Accuracy
- **12-BIT GPIO PORT**
 - Each Bit Individually Programmable
 - User-Selectable Rail
- **SPI-COMPATIBLE BUS**
 - User-Selectable Rail

APPLICATIONS

- **Communication Infrastructure**
- **System Monitoring and Control**
- **Industrial Monitoring and Control**

DESCRIPTION

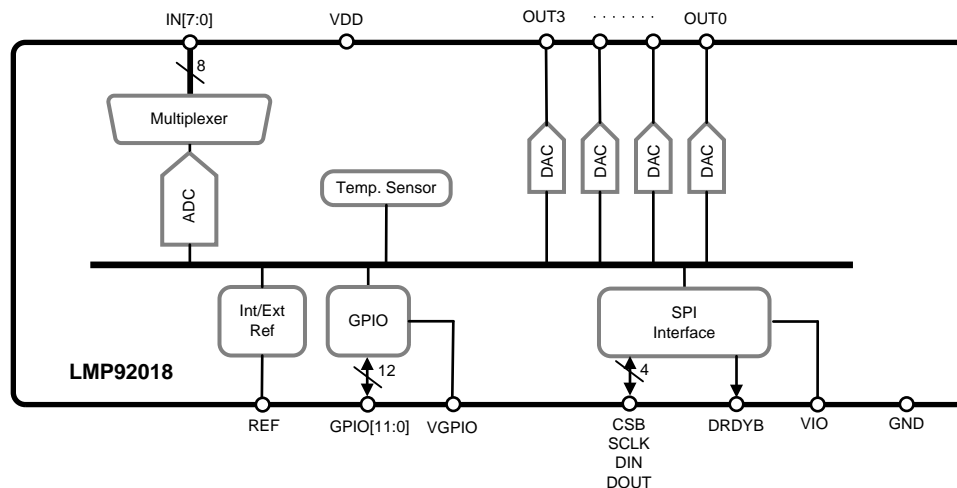
LMP92018 is a complete analog monitoring and control circuit which integrates an eight channel 10-bit Analog-to-Digital Converter (ADC), four 10-bit Digital-to-Analog Converters (DACs), an internal reference, an internal temperature sensor, a 12-bit GPIO port, and a 10MHz SPI interface.

The eight channels of the ADC can be used to monitor rail voltages, current sense amplifier outputs, health monitors or sensors while the four DACs can be used to control PA (Power Amplifier) bias points, control actuators, potentiometers, etc.

Both the ADC and DACs can use either the internal 2.5V reference or an external reference independently allowing for flexibility in system design.

The built-in digital temperature sensor enables accurate ($\pm 2.5^{\circ}\text{C}$) local temperature measurement whose value is captured in the user accessible register.

Block Diagram



Please be aware that an important notice concerning availability, standard warranty, and use in critical applications of Texas Instruments semiconductor products and disclaimers thereto appears at the end of this data sheet.

All trademarks are the property of their respective owners.

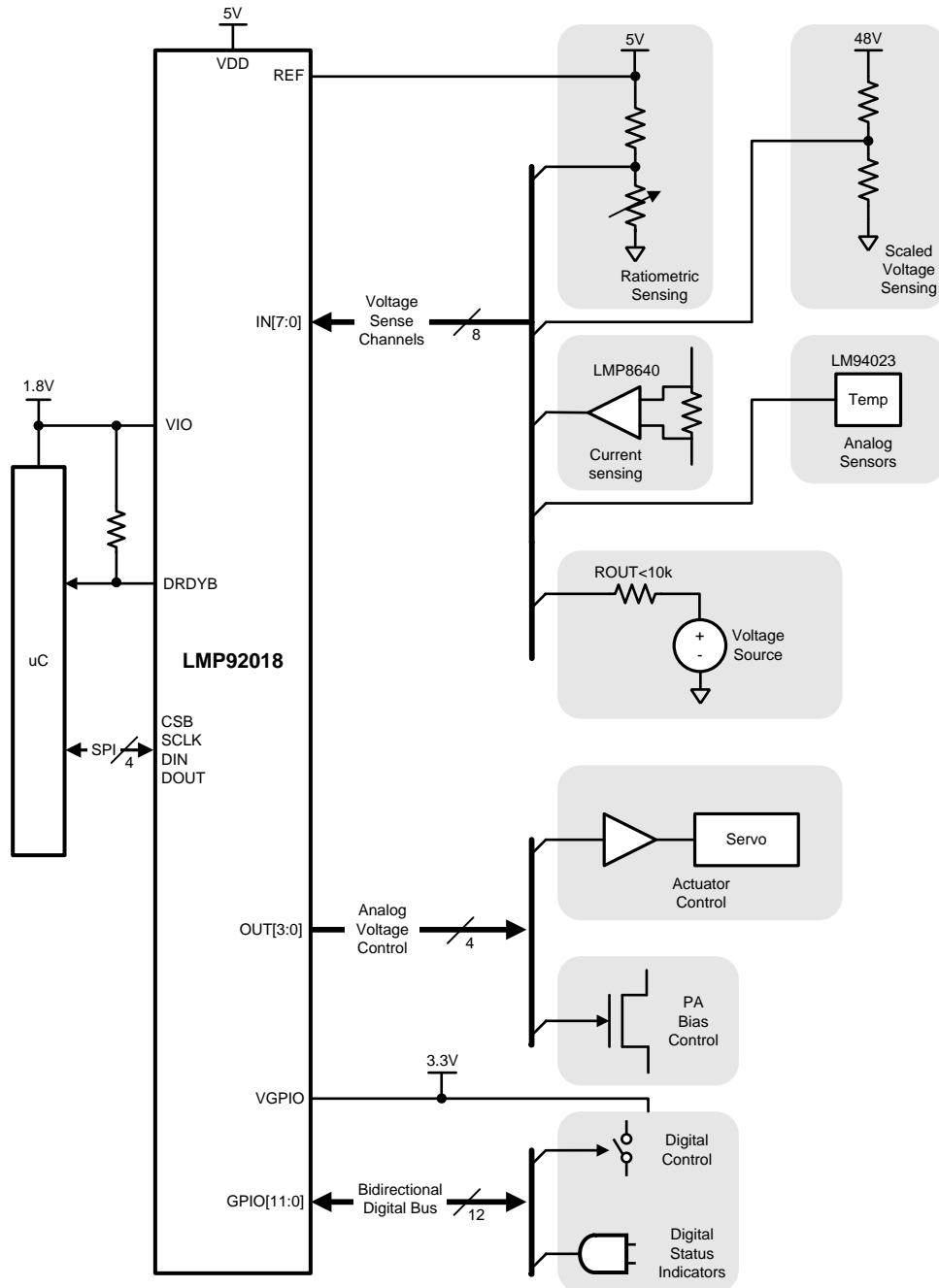
DESCRIPTION (CONTINUED)

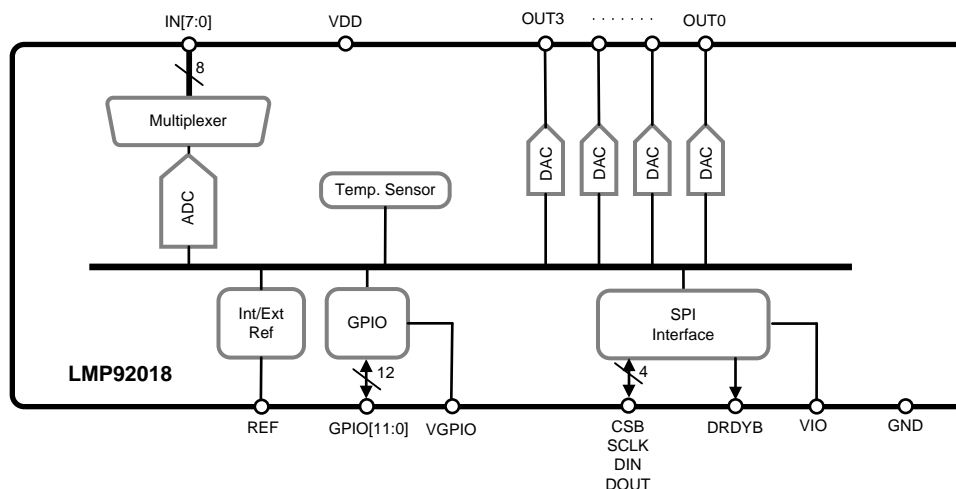
The LMP92018 also includes a 12-bit GPIO port which allows for the resources of the microcontroller to be further extended, thus providing even more flexibility and reducing the number of signal interfacing to the microcontroller.

Both the GPIO port and the SPI compatible interface have independent supply pins enabling the LMP92018 to interface with low voltage microcontrollers.

The LMP92018 is available in a space saving 36-pin WQFN package and is specified over the full -30°C to +85°C temperature range.

Typical Application





Overview

The LMP92018 has a flexible, feature-rich functionality which makes it ideally suited for many analog monitoring and control applications, for example, base-station PA subsystems. This device provides the analog interface between a programmable supervisor, such as a microcontroller, and an analog system whose behavior is to be monitored and controlled by the supervisor.

To facilitate the analog monitoring functionality, the device contains a single 10-bit ADC preceded by a 8-input multiplexer.

The analog control functionality is served by four 10-bit voltage output DACs.

Additional digital monitoring and control can be realized via the General Purpose I/O port GPIO[11:0].

Two more blocks are present for added functionality: a local temperature sensor and an internal reference voltage generator.

8-CHANNEL ANALOG SENSE WITH 10-BIT ADC

The user can monitor up to 8 external voltages with the 10-bit ADC and its 8-channel input MUX. Typically these voltages will be generated by the analog sensors, instrumentation amplifiers, current sense amplifiers, or simply resistive dividers if high potentials need to be measured.

PROGRAMMABLE ANALOG CONTROL VOLTAGE OUTPUTS

Four identical individually programmable 10-bit DAC blocks are available to generate analog voltages, which can be used to control bias conditions of external circuits, position of servos, etc.

INTERNAL DIGITAL TEMPERATURE SENSOR

An on-board digital temperature sensor is available to report the device's own temperature. The temperature sensor output is stored in the internal register for user readback via the SPI interface.

INTERNAL VOLTAGE REFERENCE SOURCE

The user can choose to enable the internal reference of 2.5V to use with the ADC and/or DACs. The internal reference source can also drive an external load.

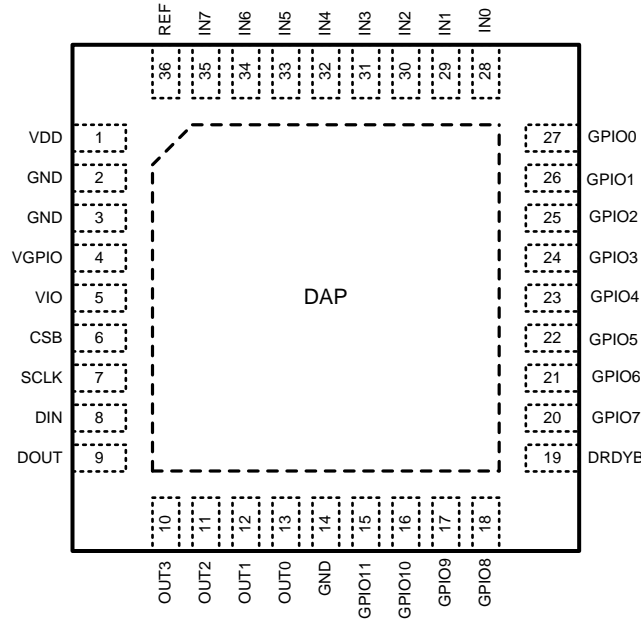
12-BIT GENERAL PURPOSE I/O

The GPIO port can be used to expand the microcontroller capabilities. This port is memory mapped to the internal register, which in turn is accessible via the SPI interface. Each bit is individually programmable as an input or an output

SPI INTERFACE

The microcontroller communicates with LMP92018 via a popular SPI interface. This interface provides the user full access to all Data, Status and Control registers of the device.

Connection Diagram



**Figure 1. 36-Pin WQFN (Top View)
See NJK0036A Package**

PIN DESCRIPTIONS

| Name | Pin | Function | ESD Structures |
|---------|---------|---|----------------|
| VDD | 1 | Supply rail | |
| VGPIO | 4 | GPIO rail | |
| VIO | 5 | SPI rail | |
| GND | 2, 3 14 | Device Ground | |
| DAP | * | Die Attach Pad. For best thermal conductivity and best noise immunity DAP should be soldered to the PCB pad which is connected directly to circuit common node (GND). | |
| IN[7:0] | 35:28 | Analog input | |

PIN DESCRIPTIONS (continued)

| Name | Pin | Function | ESD Structures |
|------------|--------------|--|----------------|
| OUT[3:0] | 10:13 | Analog output | |
| DOUT | 9 | SPI Data Output | |
| GPIO[11:0] | 15:18; 20:27 | General Purpose Digital I/O. Logic level is referenced to VGPIO pin. | |
| CSB | 6 | SPI Chip Select, Active LO | |
| SCLK | 7 | SPI Data Clock | |
| DIN | 8 | SPI Data Input | |
| DRBYB | 19 | Data Ready, open-drain active LO | |
| REF | 36 | ADC/DAC Voltage Reference Input or Output | |



These devices have limited built-in ESD protection. The leads should be shorted together or the device placed in conductive foam during storage or handling to prevent electrostatic damage to the MOS gates.

Absolute Maximum Ratings⁽¹⁾⁽²⁾⁽³⁾

| | | |
|---|----------------------|------------------------------|
| VDD Relative to GND | | -0.3V to 6.0V |
| VIO Relative to GND | | -0.3V to VDD |
| VGPIO Relative to GND | | -0.3V to VDD |
| Voltage between any 2 pins ⁽⁴⁾ | | 6.0V |
| Current in or out of any pin ⁽⁴⁾ | | 5mA |
| Current through VDD | | 32mA, T _A = 125°C |
| | | 44mA, T _A = 85°C |
| Current through VGPIO | | 20mA, T _A = 125°C |
| Current through GND | | 54mA, T _A = 125°C |
| | | 66mA, T _A = 85°C |
| Junction Temperature | | +150°C |
| Storage Temperature Range | | -65°C to +150°C |
| ESD Susceptibility ⁽⁵⁾ | Human Body Model | 2500V |
| | Machine Model | 200V |
| | Charged Device Model | 1500V |

- (1) "Absolute Maximum Ratings" indicate limits beyond which damage to the device may occur, including inoperability and degradation of device reliability and/or performance. Functional operation of the device and/or non-degradation at the Absolute Maximum Ratings or other conditions beyond those indicated in the Recommended Operating Conditions is not implied. The recommended Operating Conditions indicate conditions at which the device is functional and the device should not be operated beyond such conditions.
- (2) All voltages are measured with respect to GND = 0V, unless otherwise specified.
- (3) If Military/Aerospace specified devices are required, please contact the TI Sales Office/Distributors for availability and specifications.
- (4) When the input voltage (VIN) at any pin exceeds power supplies (VIN < GND or VIN > VDD), the current at that pin must not exceed 5mA, and the voltage (VIN) at that pin relative to any other pin must not exceed 6.0V. See Pin Descriptions for additional details of input circuit structures.
- (5) The Human Body Model (HBM) is a 100 pF capacitor charged to the specified voltage then discharged through a 1.5kΩ resistor into each pin. The Machine Model (MM) is a 200 pF capacitor charged to specified voltage then discharged directly into each pin. The Charged Device Model (CDM) is a specified circuit characterizing an ESD event that occurs when a device acquires charge through some triboelectric (frictional) or electrostatic induction process and then abruptly touches a grounded object or surface.

Operating Conditions⁽¹⁾⁽²⁾

| | |
|-------------------------------|----------------|
| Operating Ambient Temperature | -40°C to 125°C |
| VDD Voltage Range | 4.75V to 5.25V |
| VIO Voltage Range | 1.8V to VDD |
| VGPIIO Voltage Range | 1.8V to VDD |
| DAC Output Load C | 0nF to 1nF |
| θ_{JA} | 25.2°C/W |
| θ_{JC} | 2.4°C/W |

- (1) "Absolute Maximum Ratings" indicate limits beyond which damage to the device may occur, including inoperability and degradation of device reliability and/or performance. Functional operation of the device and/or non-degradation at the Absolute Maximum Ratings or other conditions beyond those indicated in the Recommended Operating Conditions is not implied. The recommended Operating Conditions indicate conditions at which the device is functional and the device should not be operated beyond such conditions.
- (2) All voltages are measured with respect to GND = 0V, unless otherwise specified.

Electrical Characteristics

Unless otherwise noted, these specifications apply for VDD=4.75V to 5.25V, REF=VDD, T_A=25°C. **Boldface** limits are over the temperature range of -30°C ≤ T_A ≤ 85°C unless otherwise noted. DAC input code range 12 to 1012. DAC output C_L = 200 pF unless otherwise noted.

| Symbol | Parameter | Conditions | Min | Typ | Max | Units |
|----------------------------|-----------------------------------|--|-------------|-------|-------------|--------|
| ADC CHARACTERISTICS | | | | | | |
| | Resolution with No Missing Codes | | 10 | | 10 | Bits |
| DNL | Differential Non-Linearity | | -0.9 | | +1 | LSB |
| INL | Integral Non-Linearity | | -1 | | 1 | |
| OE | Offset Error | | -2 | | +2 | |
| OEDRIFT | Offset Error Temperature Drift | | | 0.001 | | LSB/°C |
| OEMTCH | Offset Error Match ⁽¹⁾ | | -1 | | 1 | LSB |
| GE | Gain Error | | -2 | | 2 | |
| GEDRIFT | Gain Error Temperature Drift | | | 0.001 | | LSB/°C |
| GEMTCH | Gain Error Match ⁽¹⁾ | | -1 | | 1 | LSB |
| SINAD | Signal-to-Noise Ratio | 10 kHz Sine Wave | 58 | | | dB |
| THD | Total Harmonic Distortion | 10 kHz Sine Wave, up to 5 th harmonic | -69 | | | |
| SFDR | Spurious Free Dynamic Range | 10 kHz Sine Wave | 70 | | | dBc |
| PSRR | Power Supply Rejection Ratio | Offset Error change with VDD | | -150 | | dB |
| | | Gain Error change with VDD | | -150 | | |
| DAC CHARACTERISTICS | | | | | | |
| | Resolution | | 10 | | 10 | Bits |
| | Monotonicity | | 10 | | | Bits |
| DNL | Differential Non-Linearity | R _L = 100k | -0.5 | | +0.5 | LSB |
| INL | Integral Non-Linearity | R _L = 100k | -2 | | +2 | |
| OE | Offset Error ⁽²⁾ | R _L = 100k | | | 10 | mV |
| OEDRIFT | Offset Error Temperature Drift | R _L = 100k | | 1 | | μV/°C |
| FSE | Full-Scale Error | VDD = 5.25V, REF=5, R _L = 100k, CODE=3FFh | -0.4 | | +0.3 | %FS |
| GE | Gain Error ⁽³⁾ | R _L = 100k | -0.2 | | +0.2 | |
| GEDRIFT | Gain Error Temperature Drift | R _L = 100k | | 1.4 | | ppm/°C |
| ZCO | Zero Code Output | I _{OUT} = 200 μA | | 7 | | mV |
| | | I _{OUT} = 1mA | | 31 | | |

- (1) Device Specification is guaranteed by characterization and is not tested in production.
- (2) DAC Offset is the y-intercept of the straight line defined by DAC output at code 0d12 and 0d1011 points of the measured transfer characteristic.
- (3) DAC Gain Error is the difference in slope of the straight line defined by DAC output at code 0d12 and 0d1011 points of transfer characteristic, and that of the ideal characteristic.

Electrical Characteristics (continued)

Unless otherwise noted, these specifications apply for VDD=4.75V to 5.25V, REF=VDD, T_A=25°C. **Boldface** limits are over the temperature range of -30°C ≤ T_A ≤ 85°C unless otherwise noted. DAC input code range 12 to 1012. DAC output C_L = 200 pF unless otherwise noted.

| Symbol | Parameter | Conditions | Min | Typ | Max | Units |
|---|---|--|-------------------|---------------|-------------------|--------|
| FSO | Full Scale Output at code 3FFh | I _{OUT} = 200 μA | 4.975 | | | V |
| | | I _{OUT} = 1mA | 4.975 | | | |
| | | R _L = 100k | 4.975 | | | |
| I _{OS} | Output Short Circuit Current (Source) ⁽⁴⁾ | VDD = 5V, OUT = 0V, Input Code = 3 FFh | | -67 | | mA |
| I _{OS} | Output Short Circuit Current (Sink) ⁽⁴⁾ | VDD = 5V, OUT = DREF, Input Code = 000h | | 76 | | |
| I _O | Continuous Output Current per Channel (to prevent damage) | T _A = 85° C | | | 10 | |
| | | T _A = 125° C | | | 6.5 | |
| C _L | Maximum Load Capacitance | R _L = 2k or ∞ | | 1000 | | pF |
| R _{OUT} | DC Output Impedance | Enabled | | 1.7 | | Ω |
| | | Disabled | | >20 | | MΩ |
| ANALOG INPUT CHARACTERISTICS | | | | | | |
| V _{IN} | FS Input Range | | | | REF | V |
| I _{LEAK} | ADC in HOLD or Power Down | | -1 | | +1 | μA |
| C _{INA} | Input Capacitance | In Acquisition mode | | 33 | | pF |
| | | In Conversion mode | | 3 | | |
| REFERENCE CHARACTERISTICS | | | | | | |
| | ADC Reference Input Range | | 2.5 | | VDD | V |
| | DAC Reference Input Range | | 2.5 | | VDD | |
| | DAC Reference Input Resistance | | | 50 | | kΩ |
| | DAC Reference Input Current | | | | 125 | μA |
| I _{VREF(ADC)} | ADC Reference Current, during conversion, average value | External Reference, REF = VDD | | | 1 | μA |
| I _{VREF(PD)} | REF pin Current in Powerdown | | | | 10 | μA |
| | REF Output Voltage | | | 2.5 | | V |
| | Internal Reference Tolerance | | -0.15 | | 0.15 | % |
| | REF Output Temperature Drift | | | 17 | | ppm/°C |
| | REF Output Maximum Current | | | 1 | | mA |
| | REF Output Load Regulation | | | | -0.6 | % |
| | REF Output Rail Regulation | 4.75V ≤ VDD ≤ 5.25V | | ±0.04 | | % |
| TEMPERATURE SENSOR | | | | | | |
| | Resolution | | | 0.0625 | | °C |
| | Temperature Error ⁽⁵⁾ | -40°C to +125°C | -2.5 | | +2.5 | °C |
| DIGITAL INPUT CHARACTERISTICS (GPIO[11:0]) | | | | | | |
| V _{IH} | Input HIGH Voltage | | 0.7x VGPIO | | | V |
| V _{IL} | Input LO Voltage | | | | 0.3x VGPIO | |
| | Hysteresis | | | 250 | | mV |
| I _{IND} | Digital Input Current | | | ±0.005 | ±1 | μA |
| C _{IND} | Input Capacitance | | | 4 | | pF |

(4) Indicates the typical internal short circuit current limit. Sustained operation at this level will lead to device damage.

(5) Device Specification is guaranteed by characterization and is not tested in production.

Electrical Characteristics (continued)

Unless otherwise noted, these specifications apply for VDD=4.75V to 5.25V, REF=VDD, T_A=25°C. **Boldface** limits are over the temperature range of -30°C ≤ T_A ≤ 85°C unless otherwise noted. DAC input code range 12 to 1012. DAC output C_L = 200 pF unless otherwise noted.

| Symbol | Parameter | Conditions | Min | Typ | Max | Units |
|---|------------------------------------|---|------------------|--------------------------------------|------------------|-------|
| DIGITAL INPUT CHARACTERISTICS (CSB, DIN, SCLK) | | | | | | |
| V _{IH} | Input HIGH Voltage | | 0.7 x VIO | | | V |
| V _{IL} | Input LO Voltage | | | | 0.3 x VIO | V |
| | Hysteresis | | | 250 | | mV |
| I _{IND} | Digital Input Current | | | ±0.005 | ±1 | μA |
| C _{IND} | Input Capacitance | | | 4 | | pF |
| DIGITAL OUTPUT CHARACTERISTICS (GPIO[11:0]) | | | | | | |
| V _{OL} | Output LO Voltage | I _{OUT} = 200 μA | | 0.01 | 0.4 | V |
| | | I _{OUT} = 1.6 mA VGPI0 = VDD = 5V | | 0.07 | 0.4 | |
| V _{OH} | Output HI Voltage | I _{OUT} = 200μA | VGPI0-0.2 | | | V |
| | | I _{OUT} = 1.6 mA VGPI0 = VDD = 5V | VGPI0-0.5 | | | |
| IOZH, IOZL | TRI-STATE Output Leakage Current | VGPI0=VDD | | | ±5 | μA |
| C _{OUT} | Output Capacitance | | | 4 | | pF |
| DIGITAL OUTPUT CHARACTERISTICS (DOUT) | | | | | | |
| V _{OL} | Output LO Voltage | I _{OUT} = 200 μA | | 0.01 | 0.4 | V |
| | | I _{OUT} = 1.6 mA VIO = 3.3V | | 0.07 | 0.6 | |
| V _{OH} | Output HI Voltage | I _{OUT} = 200 μA | VIO-0.2 | | | V |
| | | I _{OUT} = 1.6 mA VIO = 3.3V | VIO-0.5 | | | |
| IOZH, IOZL | TRI-STATE Output Leakage Current | VGPI0 = 1.8V =VDD | | | ±5 | μA |
| C _{OUT} | Output Capacitance | | | 4 | | pF |
| DIGITAL OUTPUT CHARACTERISTICS (DRDYB) | | | | | | |
| V _{OH_MAX} | Maximum Output HI Voltage | I _{OUT} = 1.6 mA VIO = 3.3V to VDD | VIO-0.5 | | | μA |
| V _{OL} | Output LO Voltage | Force 0V or VDD | | 0.01 | | V |
| POWER SUPPLY CHARACTERISTICS | | | | | | |
| V _{DD} | Supply Voltage Range | | 4.75 | 5 | 5.5 | V |
| V _{GPIO} | GPIO Rail Range | | 1.8 | | VDD | |
| V _{IO} | SPI Rail Range | | 1.8 | | VDD | |
| I _{DD} | Supply Current, Conversion Mode | OUT[3:0] pins R _L = ∞ | | | 4 | mA |
| PWR _{CONV} | Power Consumption, Conversion Mode | OUT[3:0] pins R _L = ∞ | | | 21 | mW |
| I _{PD} | Supply Current, Power-Down Mode | | | | 50 | μA |
| V _{POR} | Power-On Reset ⁽⁶⁾ | | 1.9 | | 2.7 | V |
| AC ELECTRICAL CHARACTERISTICS | | | | | | |
| t _{TRACK} | ADC Track Time | Dictated by SPI bus activity | | t_g+9xt₁ | | μs |
| t _{HOLD} | ADC Hold Time | Dictated by SPI bus activity | | 15xt₁ | | μs |
| t _s | DAC Settling Time ⁽⁷⁾ | 25%FS to 75%FS code change, R _L = 2K, C _L = 200 pF | | | 20 | μs |

(6) During the power up the supply rail must ramp up beyond V_{POR} MIN for the device to acquire default state. After the supply rail has reached the nominal level, the rail can drop as low as V_{POR} MAX for the current state to be maintained.

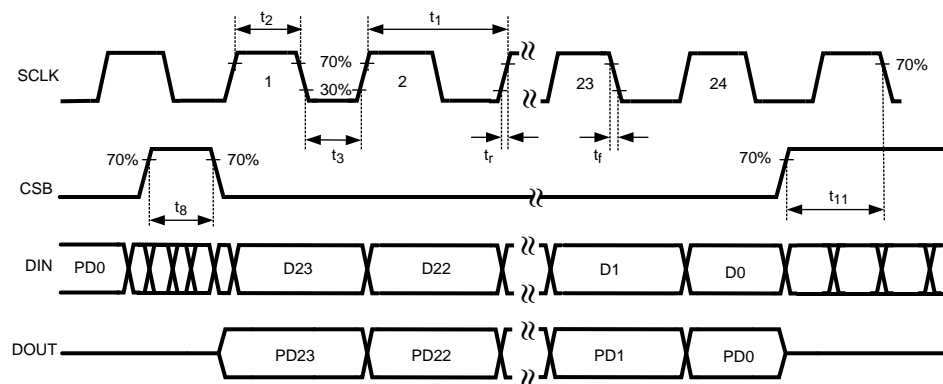
(7) Device Specification is guaranteed by characterization and is not tested in production.

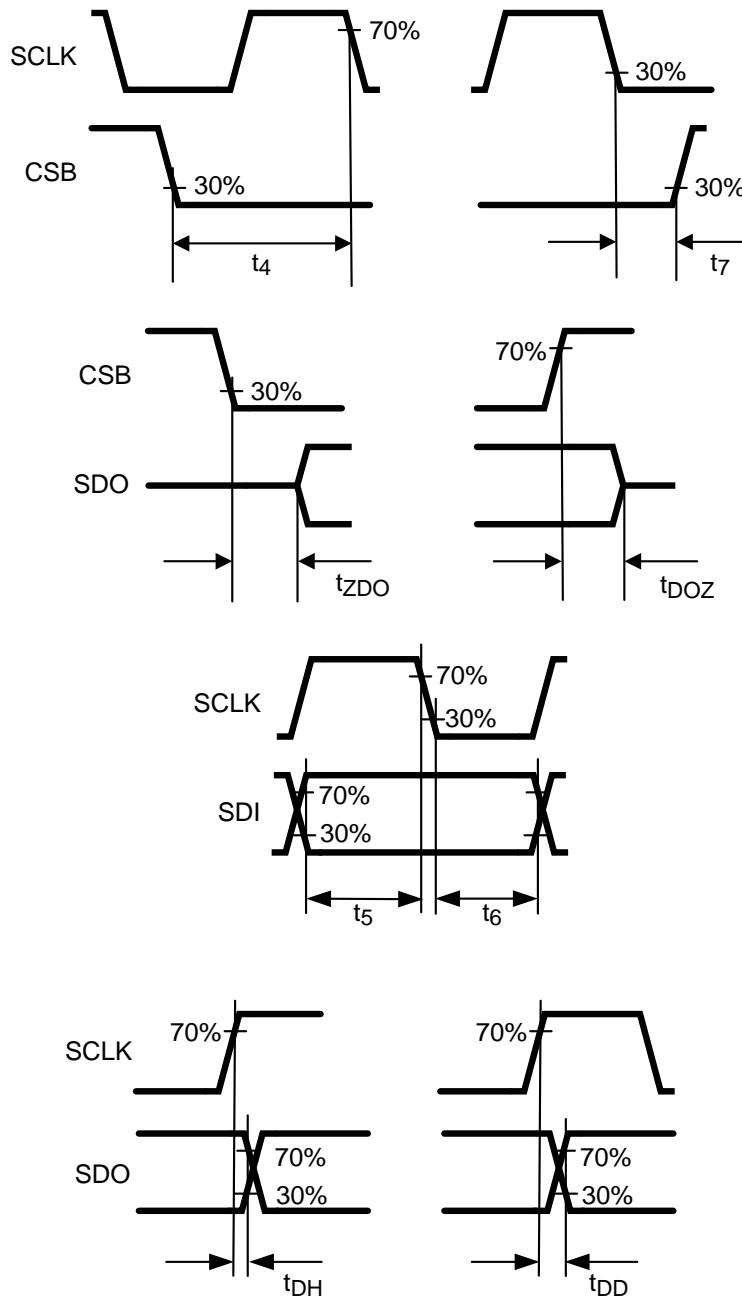
Electrical Characteristics (continued)

Unless otherwise noted, these specifications apply for VDD=4.75V to 5.25V, REF=VDD, T_A=25°C. **Boldface** limits are over the temperature range of -30°C ≤ T_A ≤ 85°C unless otherwise noted. DAC input code range 12 to 1012. DAC output C_L = 200 pF unless otherwise noted.

| Symbol | Parameter | Conditions | Min | Typ | Max | Units |
|-----------------------------------|---|--|------------|----------|--------------|-------|
| t _{CONV} | Temperature Conversion Time | | | | 25.85 | ms |
| SPI TIMING CHARACTERISTICS | | | | | | |
| t ₁ | SPI Clock Period during ADC data access | | 178 | | 12500 | ns |
| t ₁ | SPI Clock Period during Temperature Sensor access | | 178 | | 5000 | ns |
| t ₁ | SPI Clock Period for all transactions not involving ADC or Temperature Sensor | | 100 | | | ns |
| t _r | SCLK Rise Time | | | | 2 | ns |
| t _f | SCLK Fall Time | | | | 2 | ns |
| t ₂ | SCLK HIGH Time | | 8 | | | ns |
| t ₃ | SCLK LOW Time | | 8 | | | ns |
| t ₄ | CSB set-up time to SCLK falling edge | | 5 | | | ns |
| t ₅ | DIN Set-up time | | 5 | | | ns |
| t ₆ | DIN Hold time | | 4 | | | ns |
| t ₇ | CSB hold time after 24 th falling edge of SCLK | | 10 | | | ns |
| t ₈ | CSB High Pulse Width | | 30 | | | ns |
| t _{DH} | DOUT hold time after SCLK Rising Edge | C _L =30pF, V _{IO} =1.8 | 10 | | | ns |
| | | C _L =30pF, 3V ≤ V _{IO} ≤ 5.25V | 5 | | | ns |
| t _{DD} | DOUT Delay after SCLK Rising Edge | C _L =30pF | | | 40 | ns |
| t ₁₁ | SCLK Delay after CSB Rising Edge | | 3 | | | ns |
| t _{DOZ} | CSB Rising Edge to DOUT TRI-STATE | | | 4 | 10 | ns |
| t _{ZDO} | CSB Falling Edge to DOUT active | sink/source 200uA, C _L =150pF | 5 | | 14 | ns |

SPI Interface Timing Diagram





Typical Performance Characteristics

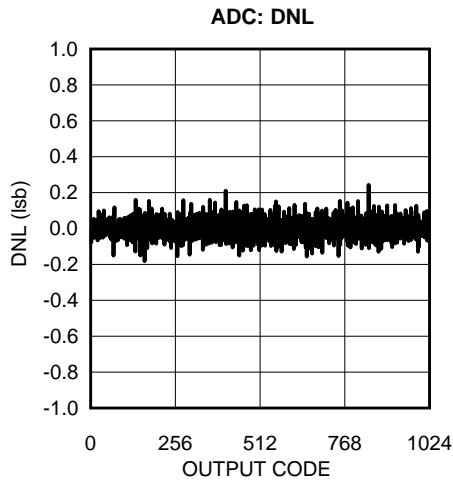


Figure 2.

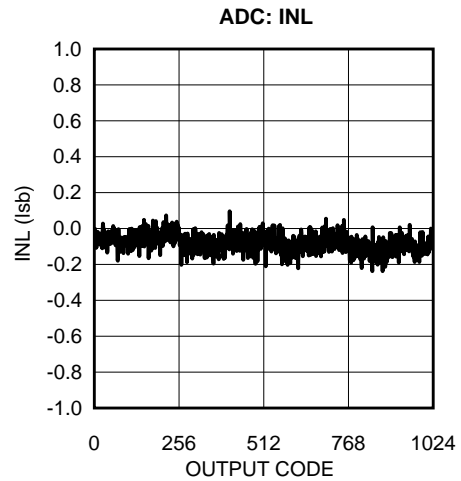


Figure 3.

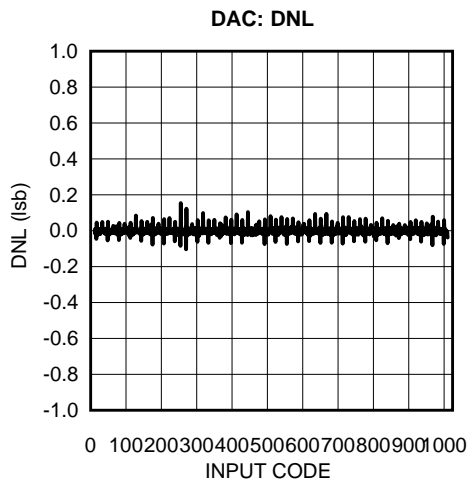


Figure 4.

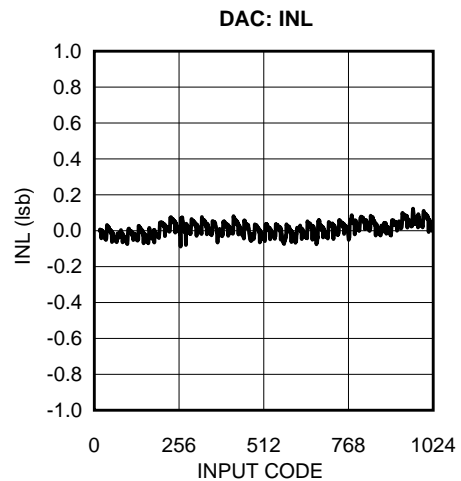


Figure 5.

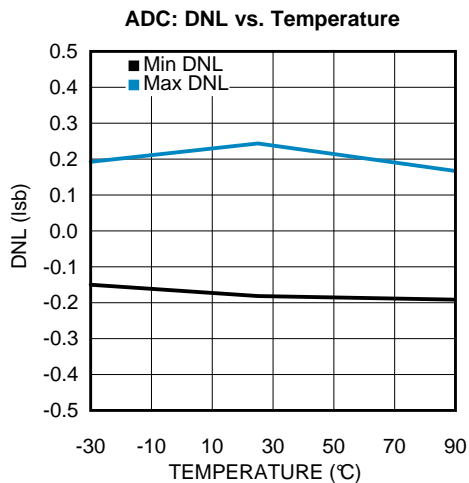


Figure 6.

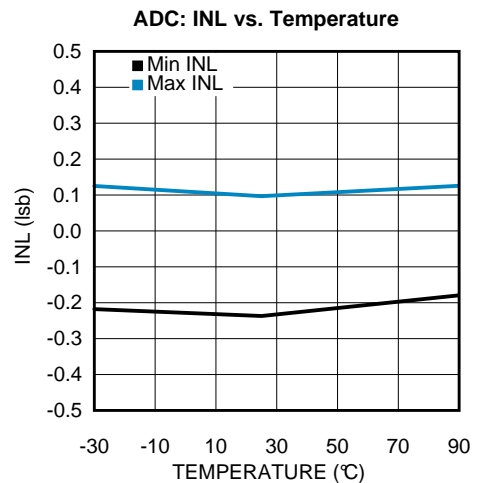


Figure 7.

Typical Performance Characteristics (continued)

DAC: DNL vs. Temperature

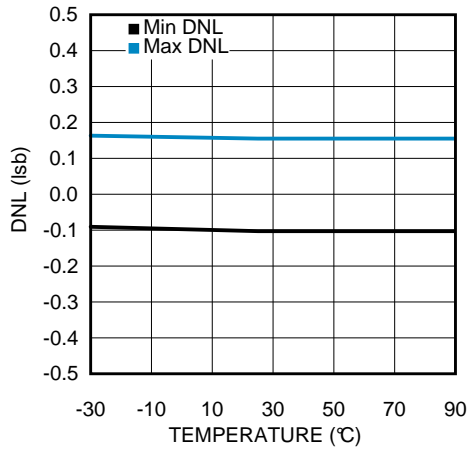


Figure 8.

DAC: INL vs. Temperature

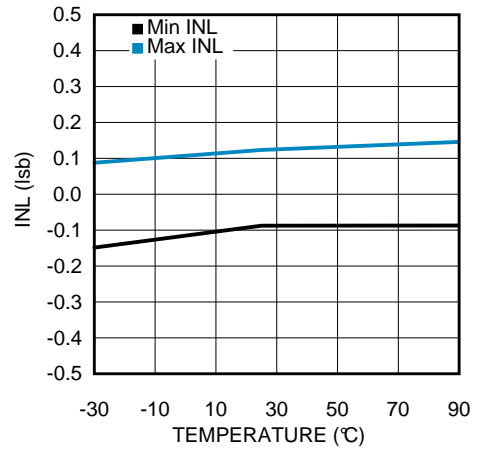


Figure 9.

OUTx Output Load Regulation

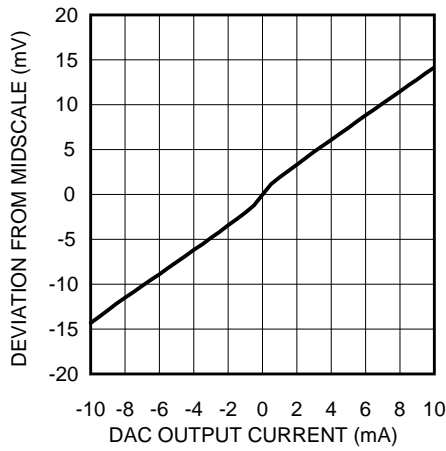


Figure 10.

Temperature Sensor Error

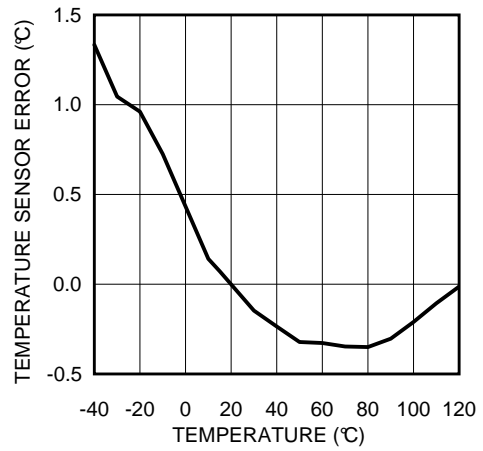


Figure 11.

Internal Reference Output Temperature Drift

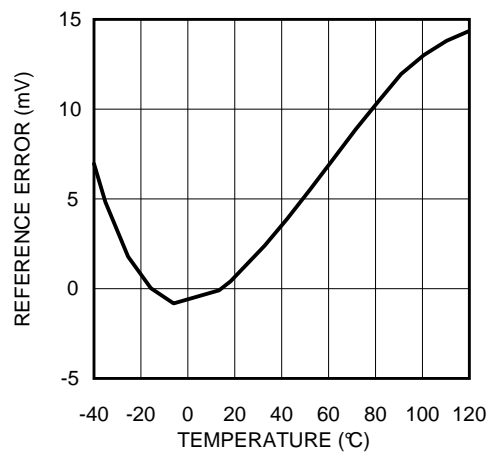


Figure 12.

INSTRUCTION SET

The following is a complete listing of the instruction set supported by the LMP92018. Where applicable the default state or register content is indicated in **bold** type.

The digital interface (SPI) protocol is described in [SERIAL INTERFACE](#). The interface timing diagram is in [SPI Interface Timing Diagram](#)

NOTE: the tables in following sections detail the data transfers of 2 subsequent SPI frames . The FRAME 1 column shows the user input into pin DIN of the device. The FRAME 2 column in the device output at DOUT.

TEMPERATURE SENSOR CONFIGURE

A single bit, TSS, controls the mode of operation of the internal temperature sensor. The bit can be set and tested via the SPI transactions shown in the following table. The internal temperature sensor is described in [DIGITAL TEMPERATURE SENSOR](#).

| | FRAME 1: DIN | | | | FRAME 2: DOUT | | | |
|-------|--------------|---------|------------------|-----|---------------|---------|------------------|-----|
| | Command | | Payload | | Command | | Payload | |
| Bit→ | 23 | 22:16 | 15:1 | 0 | 23 | 22:16 | 15:1 | 0 |
| READ | 1 | 0010000 | x | x | 1 | 0010000 | 0000000000000000 | TSS |
| WRITE | 0 | 0010000 | 0000000000000000 | TSS | 0 | 0010000 | 0000000000000000 | 0 |

| | |
|-----|---|
| x | Don't Care |
| TSS | 1: Temperature Sensor in Continuous Conversion Mode |
| | 0: Temperature Sensor In One Shot Mode |

REFERENCE CONFIGURE

The internal reference mode of operation is controlled by a 3 bit sequence, CREF. The sequence can be set and tested via the SPI transactions shown in the following table. The reference block is described in [INTERNAL VOLTAGE REFERENCE SOURCE](#).

| | FRAME 1: DIN | | | | FRAME 2: DOUT | | | |
|-------|--------------|---------|------------------|------|---------------|---------|------------------|------|
| | Command | | Payload | | Command | | Payload | |
| Bit→ | 23 | 22:16 | 15:3 | 2:0 | 23 | 22:16 | 15:3 | 2:0 |
| READ | 1 | 0010001 | x | x | 1 | 0010001 | 0000000000000000 | CREF |
| WRITE | 0 | 0010001 | 0000000000000000 | CREF | 0 | 0010001 | 0000000000000000 | 000 |

| | |
|------|---|
| x | Don't care |
| CREF | Reference Mode Selector |
| | 000: AREF external, DREF internal |
| | 001: AREF and DREF internal; REF pin is internally disconnected |
| | 010: AREF and DREF external |
| | 011: AREF internal, DREF external |
| | 100: Deep Sleep |
| | 101: AREF and DREF internal; REF driven by internal reference |
| | 110: Deep Sleep |
| | 111: Deep Sleep |

DAC CONFIGURE

The individual DACs can be enabled by setting a corresponding bit in the 4-bit CDAC word. The CDAC word can be set and tested via the SPI transactions shown in the following table. The DAC block is described in [PROGRAMMABLE ANALOG OUTPUT SUBSYSTEM](#).

| Bit→ | FRAME 1: DIN | | | | FRAME 2: DOUT | | | |
|-------|--------------|---------|--------------|------|---------------|---------|--------------|------|
| | Command | | Payload | | Command | | Payload | |
| | 23 | 22:16 | 15:4 | 3:0 | 23 | 22:16 | 15:4 | 3:0 |
| READ | 1 | 0011000 | x | x | 1 | 0011000 | 000000000000 | CDAC |
| WRITE | 0 | 0011000 | 000000000000 | CDAC | 0 | 0011000 | 000000000000 | 0000 |

| | |
|------|--|
| x | Don't care |
| CDAC | 1: enables DAC corresponding to bit position |
| | 0: disables corresponding DAC |
| | e.g. CDAC=[0101] enables DAC2 and DAC0 |

UPDATE ALL DACS

All 4 DAC channels' outputs can be simultaneously set to the same level corresponding to a 10-bit DDATA code. The sequence in the following table provides a WRITE only functionality. The DAC block is described in [PROGRAMMABLE ANALOG OUTPUT SUBSYSTEM](#).

| Bit→ | FRAME 1: DIN | | | | | FRAME 2: DOUT | | | | |
|-------|--------------|---------|---------|-------|-----|---------------|---------|---------|------------|-----|
| | Command | | Payload | | | Command | | Payload | | |
| | 23 | 22:16 | 15:12 | 11:2 | 1:0 | 23 | 22:16 | 15:12 | 11:2 | 1:0 |
| WRITE | 0 | 0011001 | 0000 | DDATA | 00 | 0 | 0011001 | 0000 | 0000000000 | 00 |

| | |
|-------|---|
| x | Don't care |
| DDATA | DDATA will be loaded into all all DACs' input registers simultaneously. DDATA is a 10-bit unsigned integer. |

GENERAL CONFIGURATION

The device can indicate to the new ADC conversion data availability via the DRDYB pin. This functionality is enabled by setting the internal DRDY bit. The bit can be set and tested via the SPI transactions shown in the following table. Details of the DRDYB pin functionality are described in [Conversion Sequence](#) and [DIGITAL TEMPERATURE SENSOR](#)

| Bit→ | FRAME 1: DIN | | | | FRAME 2: DOUT | | | |
|-------|--------------|---------|------------------|------|---------------|---------|------------------|------|
| | Command | | Payload | | Command | | Payload | |
| | 23 | 22:16 | 15:1 | 0 | 23 | 22:16 | 15:1 | 0 |
| READ | 1 | 0011110 | x | x | 1 | 0011110 | 0000000000000000 | DRDY |
| WRITE | 0 | 0011110 | 0000000000000000 | DRDY | 0 | 0011110 | 0000000000000000 | 0 |

| | |
|------|--|
| x | Don't Care |
| DRDY | 1: Disables the DRDYB pin function |
| | 0: Enables the DRDYB pin function |

GPIO CONFIGURE

Individual bits of the general purpose digital I/O port can be configured to drive (output), or sense (input) only. Setting a corresponding bit in the 12-bit CGPIO word will enable that pin to drive. The sequences in the following table provide a READ and WRITE capability for the internal CGPIO register. The GPIO block is described in [GENERAL PURPOSE DIGITAL I/O](#).

| Bit→ | FRAME 1: DIN | | | | FRAME 2: DOUT | | | |
|-------|--------------|----------|---------|-------|---------------|----------|---------|--------------|
| | Command | | Payload | | Command | | Payload | |
| | 23 | 22:16 | 15:12 | 11:0 | 23 | 22:16 | 15:12 | 11:0 |
| READ | 1 | 00111111 | x | x | 1 | 00111111 | 0000 | CGPIO |
| WRITE | 0 | 00111111 | 0000 | CGPIO | 0 | 00111111 | 0000 | 000000000000 |

| | |
|-------|---|
| x | Don't Care |
| CGPIO | 1: sets corresponding GPIO pin as output |
| | 0: sets corresponding GPIO pin as input |
| | e.g. CGPIO=[000011110000] enables GPIO[7:4] pins as outputs, all other GPIO pins are inputs |

STATUS

Internal bit, RDY, indicates when the device has completed its power-up sequence. The RDY bit can be tested via the SPI transaction shown in the following table.

| Bit→ | FRAME 1: DIN | | | | FRAME 2: DOUT | | | |
|------|--------------|---------|---------|---|---------------|---------|------------------|-----|
| | Command | | Payload | | Command | | Payload | |
| | 23 | 22:16 | 15:1 | 0 | 23 | 22:16 | 15:1 | 0 |
| READ | 1 | 0100000 | x | x | 1 | 0100000 | 0000000000000000 | RDY |

| | |
|-----|---|
| x | Don't Care |
| RDY | Internal Power On Reset circuit sets this bit |
| | 1: device ready |
| | 0: device not ready |

GPI STATE

The logic state present at the GPIO pins of the device is always reported in the SGPI register. The SGPI register contents can be tested via the SPI transaction shown in the following table. The GPIO block is described in [GENERAL PURPOSE DIGITAL I/O](#).

| Bit→ | FRAME 1: DIN | | | | FRAME 2: DOUT | | | |
|------|--------------|---------|---------|------|---------------|---------|---------|------|
| | Command | | Payload | | Command | | Payload | |
| | 23 | 22:16 | 15:12 | 11:0 | 23 | 22:16 | 15:12 | 11:0 |
| READ | 1 | 0110000 | x | x | 1 | 0110000 | 0000 | SGPI |

| | |
|------|---|
| x | Don't Care |
| SGPI | Each bit Indicates the state at the corresponding GPIO pins of the device |

GPO DATA

The GPIO pins configured to drive, will drive the state indicated in the CGPO register. The CGPO register can be set or tested via the SPI transactions shown in the following table. The GPIO block is described in [GENERAL PURPOSE DIGITAL I/O](#).

| Bit→ | FRAME 1: DIN | | | | FRAME 2: DOUT | | | |
|-------|--------------|---------|---------|------|---------------|---------|---------|-------|
| | Command | | Payload | | Command | | Payload | |
| | 23 | 22:16 | 15:12 | 11:0 | 23 | 22:16 | 15:12 | 11:0 |
| READ | 1 | 0110001 | x | x | 1 | 0110001 | 0000 | CGPO |
| WRITE | 0 | 0110001 | 0000 | CGPO | 0 | 0110001 | 0000 | 12'b0 |

| | |
|------|--|
| x | Don't Care |
| CGPO | Each bit will be forced at the corresponding GPIO pin of the device. Bits corresponding to GPIO pins configured as inputs will be ignored. CGPO[11:0]=0x000 |

VENDOR ID

The 16-bit ID sequence is factory set, and can only be tested via the SPI transaction shown in the table below.

| | FRAME 1: DIN | | | FRAME 2: DOUT | | |
|------|--------------|---------|---------|---------------|---------|---------|
| | Command | | Payload | Command | | Payload |
| Bit→ | 23 | 22:16 | 15:0 | 23 | 22:16 | 15:0 |
| READ | 1 | 1000000 | x | 1 | 1000000 | ID |

| | |
|----|---------------------------------------|
| x | Don't Care |
| ID | Vendor ID number. ID = 0x0028. |

VERSION/STEPPING

Version and Stepping words are factory set and can only be tested via the SPI transaction shown in the table below.

| | FRAME 1: DIN | | | | FRAME 2: DOUT | | | |
|------|--------------|---------|---------|-----|---------------|---------|---------|------|
| | Command | | Payload | | Command | | Payload | |
| Bit→ | 23 | 22:16 | 15:4 | 3:0 | 23 | 22:16 | 15:4 | 3:0 |
| READ | 1 | 1000001 | x | x | 1 | 1000001 | VER | STEP |

| | |
|------|---|
| x | Don't Care |
| VER | Indicates the device version number. VER=0x000 |
| STEP | Indicates stepping number. STEP = 0x0 |

DAC DATA REGISTER ACCESS

Each DAC's input data register, DDATA, is individually addressable, and its contents can be updated without affecting remaining 3 DACs. The content of each DDATA can be tested and set via the SPI transactions shown in the following table. The DAC block is described in [PROGRAMMABLE ANALOG OUTPUT SUBSYSTEM](#).

| | FRAME 1: DIN | | | | | | FRAME 2: DOUT | | | | | |
|-------|--------------|-------|-------|---------|-------|-----|---------------|-------|-------|---------|-------|-----|
| | Command | | | Payload | | | Command | | | Payload | | |
| Bit→ | 23 | 22:18 | 17:16 | 15:12 | 11:2 | 1:0 | 23 | 22:18 | 17:16 | 15:12 | 11:2 | 1:0 |
| READ | 1 | 10100 | ADR | x | x | x | 1 | 10100 | ADR | 0000 | DDATA | 00 |
| WRITE | 0 | 10100 | ADR | 0000 | DDATA | 00 | 0 | 10100 | ADR | 0000 | 10'b0 | 00 |

| | |
|-------|--|
| x | Don't Care |
| ADR | DAC address: |
| | 00: DAC0 |
| | 01: DAC1 |
| | 10: DAC2 |
| | 11: DAC3 |
| DDATA | DAC input data. DDATA is a 10-bit unsigned integer. DDATA=0x000 |

ADC INPUT MUX SELECT DATA READ COMMAND

The selection of the analog input, and the read-back of the ADC conversion result are completed by the SPI transaction shown in the following table. The ADC block is described in [ANALOG SENSE SUBSYSTEM](#).

| Bit→ | FRAME 1: DIN | | | | | | FRAME 2: DOUT | | | | | |
|------|--------------|-------|-------|---------|------|-----|---------------|-------|-------|---------|-------|-----|
| | Command | | | Payload | | | Command | | | Payload | | |
| | 23 | 22:19 | 18:16 | 15:12 | 11:2 | 1:0 | 23 | 22:19 | 18:16 | 15:12 | 11:2 | 1:0 |
| READ | 1 | 1100 | ADR | x | x | x | 1 | 1100 | ADR | 0000 | ADATA | 00 |

| | |
|----------|--|
| x | Don't Care |
| ADR | ADC Input Address: |
| | 000: IN0 |
| | 001: IN1 |
| | 010: IN2 |
| | 011: IN3 |
| | 100: IN4 |
| | 101: IN5 |
| | 110: IN6 |
| 111: IN7 | |
| ADATA | ADC output Data. ADATA is a 10-bit unsigned integer. |

TEMPERATURE SENSOR OUTPUT REGISTER

The contents of the internal temperature sensor output register can be tested by the SPI transaction shown in the following table. The internal temperature sensor is described in [DIGITAL TEMPERATURE SENSOR](#).

| Bit→ | FRAME 1: DIN | | | | FRAME 2: DOUT | | | |
|------|--------------|---------|---------|------|---------------|---------|---------|-------|
| | Command | | Payload | | Command | | Payload | |
| | 23 | 22:16 | 15:12 | 11:0 | 23 | 22:16 | 15:12 | 11:0 |
| READ | 1 | 1110000 | x | x | 1 | 1110000 | 0000 | TDATA |

| | |
|-------|---|
| x | Don't Care |
| TDATA | Temperature Sensor Output Data. TDATA is a 12-bit signed integer. |

NOOP — No Operation

NOOP offers no functionality of its own. It is provided as the means of completing the pending READ operation i.e. “pushing out” the data requested in the previous transaction.

| Bit→ | FRAME 1: DIN | | FRAME 2: DOUT | |
|------|--------------|---------|---------------|---------|
| | Command | Payload | Command | Payload |
| | 23:16 | 15:0 | 23:16 | 15:0 |
| NOOP | 00000000 | x | 00000000 | 16'b0 |

| | |
|---|------------|
| x | Don't Care |
|---|------------|

FUNCTIONAL DESCRIPTION

ANALOG SENSE SUBSYSTEM

The device is capable of monitoring up to 8 externally applied voltages. The system is centered around a 10-bit SAR ADC fronted by an 8-input mux.

Sampling and Conversion

The external voltage is sampled onto the internal C_{HOLD} capacitor during the TRACK period, see [Figure 13](#). Once acquired, the stored charge is measured using the Successive Approximation Register (SAR) method. The timing of the internal state machine is governed by the user defined signals CSB and SCLK. The sequence of the events is described in [Conversion Sequence](#).

Attention should be paid to the output impedance of the sensed voltage source and the capacitance present at the INx input of the device (which is dominated by C_{HOLD} during TRACK time). The combined circuit's RC limits the bandwidth and settling time of the input signal. At maximum SPI bus data rate, it is recommended to limit the output resistance ROUT of the signal source to assure the accuracy of the conversion.

During the HOLD period (duration of t_{HOLD} specified in [Electrical Characteristics](#)), all mux switches are OFF, and the charge captured on C_{HOLD} is measured to produce an ADC output code. This charge is never lost during the conversion, unless the SCLK is so slow that the charge is lost due to the internal capacitor's leakage. Under normal conditions the charge stored is modified only during TRACK period.

Below is a typical ADC output code as a function of input voltage at device pin INx, $x=0\dots7$:

$$\text{ADATA} = \text{INT} \left(\frac{V_{\text{INX}}}{V_{\text{AREF}}} \times 1023 \right) \quad (1)$$

In the expression above AREF is the reference voltage input to the internal ADC. See [INTERNAL VOLTAGE REFERENCE SOURCE](#).

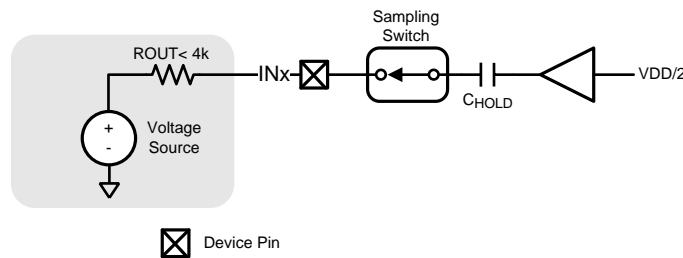


Figure 13. ADC During TRACK Period

Sampling Transient

As noted in [Sampling and Conversion](#) the charge acquired during TRACK period is maintained throughout the conversion process. Since the successive sample operations will involve different input potentials an instantaneous current will flow at the beginning of TRACK period. This always leads to temporary disturbance of the input potential. This current, and resulting disturbance, will vary with the magnitude of the sampled signal and source impedance ROUT, see [Figure 13](#). If ROUT is excessive, and resulting RC time constant of the input circuit too long, the preceding sample may affect the new sample's accuracy.

If high ROUT cannot be avoided, another method of improving the acquisition accuracy is to lengthen the TRACK time. The ADC TRACK time is fully controlled by the user inputs CSB and SCLK, see [Figure 14](#). The time allotted for the C_{HOLD} to settle can be arbitrarily adjusted via the length of the CSB=High period and the frequency of SCLK, subject to limitations on CSB and SCLK timing as shown in [Electrical Characteristics](#).

Conversion Sequence

The ADC conversion sequence and output activity are shown in Figure 14. The ADC readback occupies 2 SPI frames. The first frame is used to issue a read command and connect the ADC input to the specified device input pin IN_x. At the end of the first frame, at the rising edge of the CSB, the ADC sampling capacitor is connected to the signal source, IN_x, and the TRACK period begins. The second frame executes the SAR algorithm (the HOLD period) on the acquired sample and shifts the resulting data out through the DOUT output. The TRACK period extends for 9 SCLK cycles, then the mux disconnects the sampling capacitor from the signal source, and the SAR operation begins. The data is shifted out MSB first. Once the SAR operation is completed, the ADC powers down for the remainder of the second frame.

If DRDYB output pin functionality is enabled, see GENERAL CONFIGURATION, then DRDYB output will be low while ADC output data is present at DOUT.

If the ADC is not in TRACK or HOLD, the internal PD (Power Down) signal of the ADC is asserted thus powering down all the active circuits of the ADC, and opening all analog input mux switches. See the PD period in the Figure 14.

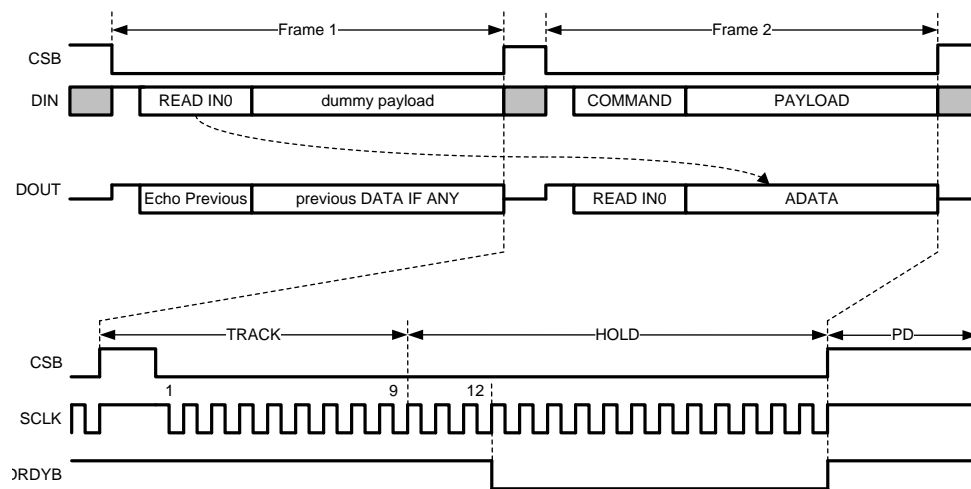


Figure 14. ADC Sequence Diagram

ADC Reference Selection

By default, the ADC operates from the external reference voltage applied at the REF pin of the device. It should be noted that due to the architecture of the ADC the DC current flowing into the REF input is zero during conversion. However, the transient currents (see I_{VREF} in Electrical Characteristics) during the HOLD time can be significant. For further details of reference source selection see INTERNAL VOLTAGE REFERENCE SOURCE

Selection of the ADC reference source automatically dictates the attenuation level of the input signal. Figure 15 shows the ADC input configuration during the TRACK period when the REF pin is chosen as the source of the reference voltage. The entire C_{HOLD} available is used to acquire the signal. The transfer function of the ADC in this configuration remains as shown in Sampling and Conversion

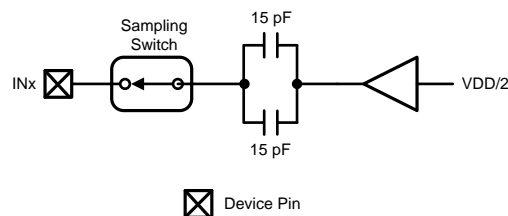


Figure 15. ADC Sampling when AREF is Externally Supplied

In contrast, the [Figure 16](#) shows the sampling capacitor during TRACK period when the internally generated reference is selected as the reference source of the ADC. In this configuration $\frac{1}{2}C_{\text{HOLD}}$ is used to sample the input signal effectively attenuating it by a factor of 2. The resulting overall ADC transfer function becomes:

$$A_{\text{DATA}} = \text{INT} \left(\frac{V_{\text{INX}}}{2 \times A_{\text{REF}}} \times 1023 \right) \quad (2)$$

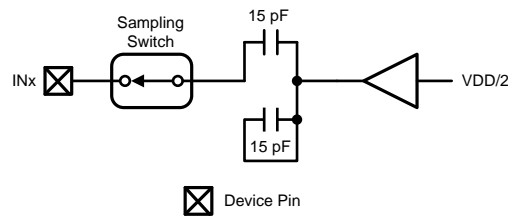


Figure 16. ADC Sampling when AREF is Internally Supplied

PROGRAMMABLE ANALOG OUTPUT SUBSYSTEM

This subsystem consists of 4 identical DACs whose output is a function of the user programmable registers DACx. This functionality is described in [DAC Core](#). The DAC input registers are individually addressable, as described [DAC DATA REGISTER ACCESS](#). The user can also update all of the DAC input registers to the same value with a single SPI command. See [UPDATE ALL DACs](#)

Each DAC channel can be individually enabled/disabled via the SPI interface command. See [DAC CONFIGURE](#). When a channel is disabled, its output OUTx is in HiZ state, but the DAC input register still maintains its data.

User can select the source of the reference input to all DACs. This functionality is described in [DAC Reference Selection](#)

DAC Core

The DAC core is based on a Resistive String architecture which guarantees monotonicity of its transfer function. The input data is single-registered, meaning that the OUTx of the DAC is updated as soon as the data is updated in the DAC input data register at the end of the SPI transaction.

The functional diagram of the DAC Core is shown in [Figure 17](#)

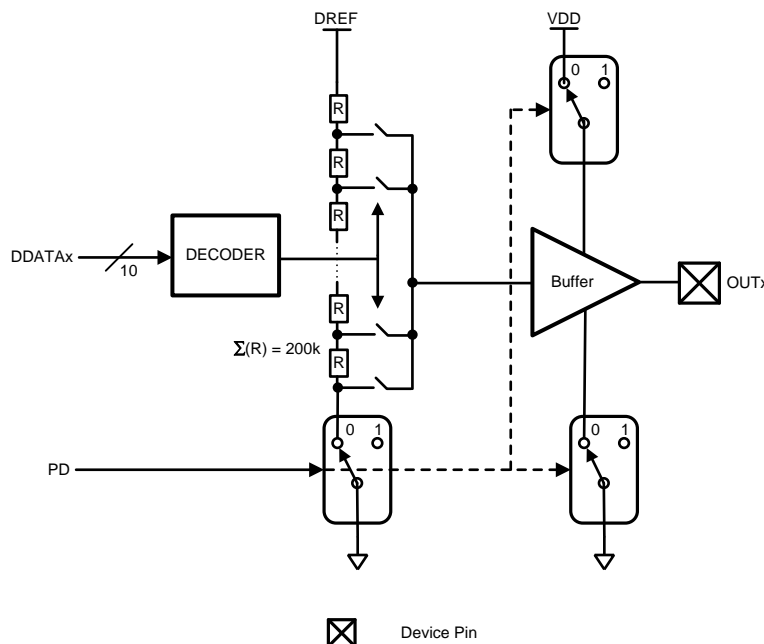


Figure 17. DAC Block Diagram

The ideal DAC core transfer function from DATA_x to OUT_x , x=0...3, can be expressed as:

$$OUT_x = DREF \left(\frac{DDATA_x}{1024} \right) \tag{3}$$

The above expression is subject to non-idealities of the resistor string and limitations of the output buffer. These limitations are tabulated in [Electrical Characteristics](#)

In [Figure 17](#), the PD (Power Down) signal is asserted when the given channel is disabled via the SPI command. The PD causes the DAC buffer bias currents to shut down, and it breaks the current path through the resistive string.

DAC Reference Selection

All DAC channels operate from the same, user selectable, reference source. In [Figure 17](#), DREF input can be supplied by the external source, applied to the REF pin of the device, or from the internal reference generator block. The reference block functionality is described in [INTERNAL VOLTAGE REFERENCE SOURCE](#).

Reference selection automatically forces configuration of the DACs' output buffers. If the external reference source, which is DREF driven by the REF device pin, is selected then all of the DAC output buffers are in 1x configuration, as seen in [Figure 18](#). In the external reference mode, each active DAC presents a resistive load to the source attached to the device's REF pin, see [Figure 17](#) and [Figure 21](#).

The overall DAC transfers function remains as shown in [DAC Core](#)

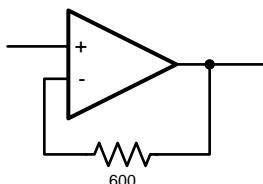


Figure 18. DAC Buffer when DREF Externally Supplied

If the internal reference generator is selected to drive the DAC's DREF input, then all of the DACs' buffers are automatically forced into 2x gain configuration as shown in [Figure 19](#). This results in an overall transfer function of the DACs to change to:

$$OUT_x = 2 \times DREF \left(\frac{DDATA_x}{1024} \right) \tag{4}$$

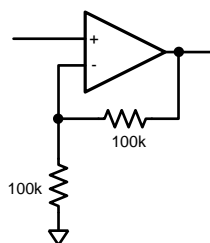


Figure 19. DAC Buffer when DREF Internally Supplied

DIGITAL TEMPERATURE SENSOR

The local temperature sensor (TS) operates in one of the 2 possible modes: Continuous or One-Shot. The user selects the mode of operation via the SPI instruction, see [TEMPERATURE SENSOR CONFIGURE](#). The output of the temperature sensor is a 12 bit signed integer, where each LSB represents 0.0625°C. Temperature sensor's output code (TDATA) examples are shown in [Table 1](#).

Table 1. Temperature Readout Examples

| Temperature | TDATA |
|-------------|----------------|
| 125°C | 0111.1101.0000 |
| 25°C | 0001.1001.0000 |
| 0.0625°C | 0000.0000.0001 |
| 0°C | 0000.0000.0000 |
| -0.0625°C | 1111.1111.1111 |
| -40°C | 1101.1000.0000 |

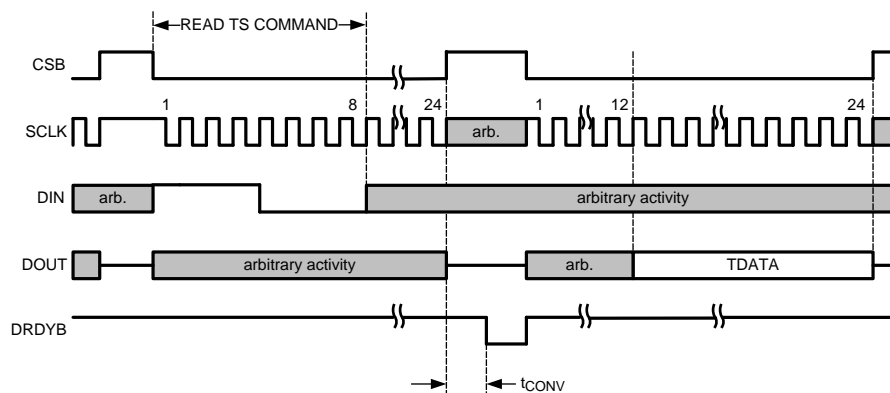
In Continuous mode, the temperature sensor operates in the background and independently of the SPI bus activity. Subsequent temperature conversion results are stored in the output register which can be accessed by the user via the SPI interface.

In One-Shot mode temperature sensor is inactive until the user issues an instruction, via SPI interface, to read the temperature sensor data. The temperature conversion commences at the rising edge of CSB following the read instruction. After the delay of t_{CONV} , the new temperature data is available in the temperature sensor output register. If configured, the DRDYB output indicates when the temperature conversion has been completed, see [Figure 20](#).

The SPI instruction for accessing the temperature data is described in [TEMPERATURE SENSOR OUTPUT REGISTER](#)

In [Figure 20](#) below a One-Shot temperature read transaction is shown. The temperature readback occupies 2 SPI frames: the first frame is used to issue temperature sensor read instruction, the second frame is used for the data readback. The falling edge of the DRDYB signal indicates the instance the new temperature data is present in the output register. The DRDYB is deasserted by the rising edge of the CSB.

NOTE: The DRDYB output in One-Shot temperature conversion mode is asynchronous to the SCLK of the SPI interface. DRDYB functionality is not provided in the Continuous mode of the temperature sensor operation.

**Figure 20. One-Shot Temperature Read Sequence**

INTERNAL VOLTAGE REFERENCE SOURCE

The device has a built in precision 2.5V reference block which can be used to provide reference potential to either the ADC (AREF) or the DACs (DREF), both at once, or to external load via REF pin. The precision reference is always isolated from its loads by individual buffers, see [Figure 21](#).

The CREF register sets the reference block mode of operation. The SPI instruction to update or read contents of the CREF register is shown in [REFERENCE CONFIGURE](#). The switch activity due to the CREF content is tabulated in [Table 2](#).

The modes corresponding to CREF=(100) or (110) or (111) are the Deep Sleep modes. In these modes the internal temperature sensor, the ADC, the DACs, and the reference block buffers (but not the 2.5V reference) are powered down.

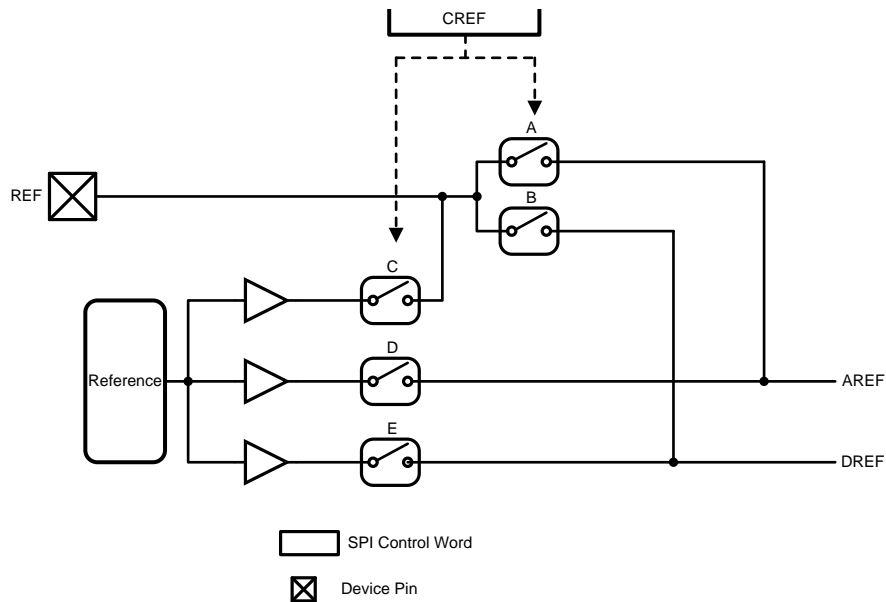


Figure 21. Reference Selector Diagram

Table 2. Reference Selector Functionality
(1 to CLOSE Switch)

| CREF | Switch | | | | |
|------|--------|---|---|---|---|
| | A | B | C | D | E |
| 000 | 1 | 0 | 0 | 0 | 1 |
| 001 | 0 | 0 | 0 | 1 | 1 |
| 010 | 1 | 1 | 0 | 0 | 0 |
| 011 | 0 | 1 | 0 | 1 | 0 |
| 100 | 0 | 0 | 0 | 0 | 0 |
| 101 | 0 | 0 | 1 | 1 | 1 |
| 110 | 0 | 0 | 0 | 0 | 0 |
| 111 | 0 | 0 | 0 | 0 | 0 |

GENERAL PURPOSE DIGITAL I/O

The GPIO[11:0] port is memory mapped to registers SGPI and CGPO. Both registers are accessible through the SPI interface.

The SGPI register content reflects at all times the digital state at the GPIOx device pins. The format of the read command of the General Purpose Digital I/O is shown in [GPI STATE](#).

The GPIOx pins can be configured as outputs by setting the individual bits in the CGPIO registers. Each bit in CGPIO register enables corresponding output buffer in the GPIOx port. See [GPIO CONFIGURE](#). Once the drive is enabled, the logic state at the outputs is dictated by the contents of the CGPO register. See [GPO DATA](#).

The functional diagram of the General Purpose Digital I/O is shown in [Figure 22](#).

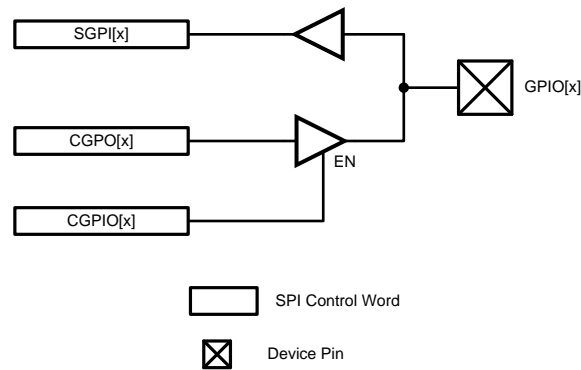


Figure 22. General Purpose Digital I/O Diagram

SERIAL INTERFACE

The 4-wire interface is compatible with SPI, QSPI and MI-CROWIRE, as well as most DSPs. See the [SPI Interface Timing Diagram](#) for timing information of the read and write sequences. The serial interface uses four signals CSB, SCLK, DIN and DOUT.

A bus transaction is initiated by the falling edge of the CSB. Once CSB is low, the input data is sampled at the DIN pin by the falling edge of the SCLK, and shifted into the internal shift register (FIFO). The output data is put out on the DOUT pin on the rising edge of SCLK. At least 24 SCLK cycles are required for a valid transfer to occur. If CSB is raised before 24th rising edge of the SCLK, the transfer is aborted and preceding data ignored. If the CSB is held low after the 24th falling edge of the SCLK, the data will continue to flow through the internal shift register (FIFO) and out the DOUT pin. When CSB transitions high, the internal controller decodes the FIFO contents — most recent 24 bits that were received before the rising edge of CSB.

While CSB is high, DOUT is in a high-Z state. At the falling edge of CSB, DOUT presents the MSB of the data present in the shift register. DOUT is updated on every subsequent falling edge of SCLK (note — the first DOUT transition will happen on the first rising edge AFTER the first falling edge of SCLK when CSB is low).

The 24 bits of data contained in the FIFO are interpreted as an 8 bit COMMAND word followed by 16 bits of DATA. The general format of the 24 bit data stream is shown in [Figure 23](#). The full Instruction Set is tabulated in [Instruction Set](#).

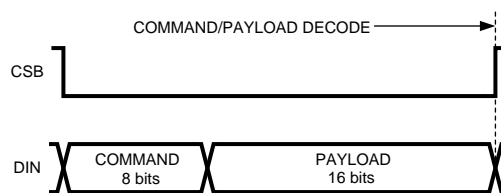


Figure 23. General SPI Frame Format

SPI Write

SPI write operation occupies a single 24-bit frame, as shown in [Figure 24](#). Write operation always starts with a leading 0 (zero) in the 8-bit COMMAND sequence. The format of the data transfer and user instruction set is shown in [Instruction Set](#).

Note that write operation also produces DOUT activity. The DOUT output echoes back the previous frame's COMMAND byte, followed by 16 zeros.

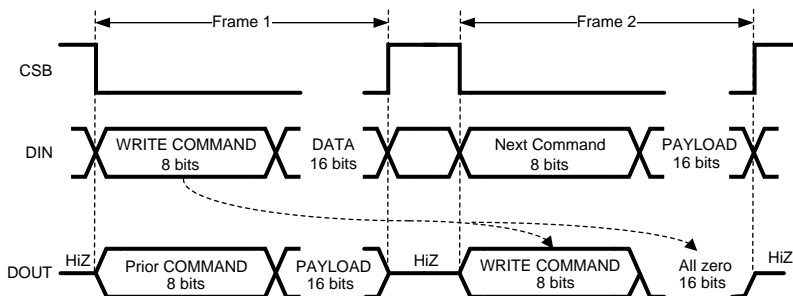


Figure 24. SPI Write Transaction

SPI Read

The read operation requires all 4 wires of the SPI interface: SCLK, CSB, DIN, DOUT. The simplest read operation occurs automatically during any valid transaction on the SPI bus since DOUT pin always shifts out the leading 8 bits (COMMAND) of the previous transaction — this is regardless of the RW bit setting in the COMMAND byte. This functionality gives the user an easy method of verifying the SPI link.

Reading of the specific content requires 2 SPI frames, as shown in Figure 25. The first frame is used to issue a read command, which always begins with RW bit set in the COMMAND byte. The second frame echoes back the first frame's COMMAND byte, followed by the 16-bit PAYLOAD containing the requested data. Consult Instruction Set for the COMMAND format and returned data alignment within PAYLOAD.

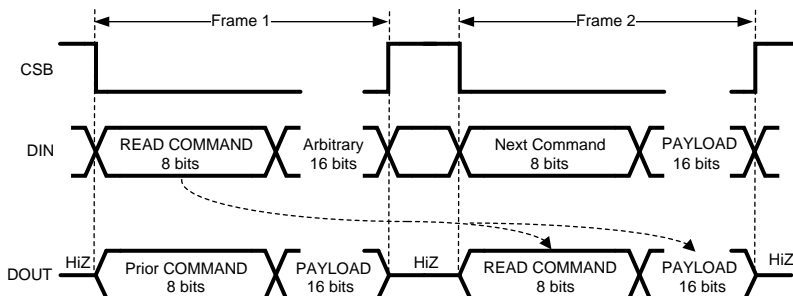


Figure 25. SPI Read Transaction

SPI Daisy Chain

It is possible to control multiple LMP92018s with a single master equipped with one SPI interface. This is accomplished by connecting the multiple LMP92018 devices in a Daisy Chain. The scheme is depicted in Figure 26. A chain of arbitrary length can be constructed since individual devices do not count the data bits shifted in. Instead, they wait to decode the contents of their respective shift registers until CSB is raised high.

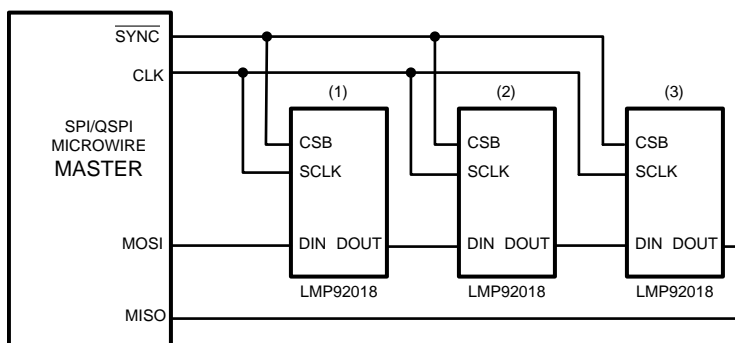


Figure 26. SPI Daisy Chain

A typical bus cycle for this scheme is initiated by the falling CSB. After the 24 SCLK cycles new data starts to appear at the DOUT pin of the first device in the chain, and starts shifting into the second device. After the 72 SCLK cycles following the falling CSB edge, all three devices in this example will contain new data in their input shift registers. Raising CSB will begin the process of decoding data in each device. When in the Daisy Chain the full READ and WRITE capability of every device is maintained.

A sample of SPI data transfer appropriate for a 3 device Daisy Chain is shown in [Figure 27](#).

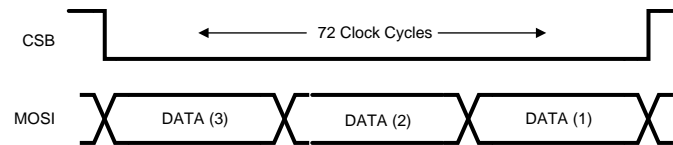
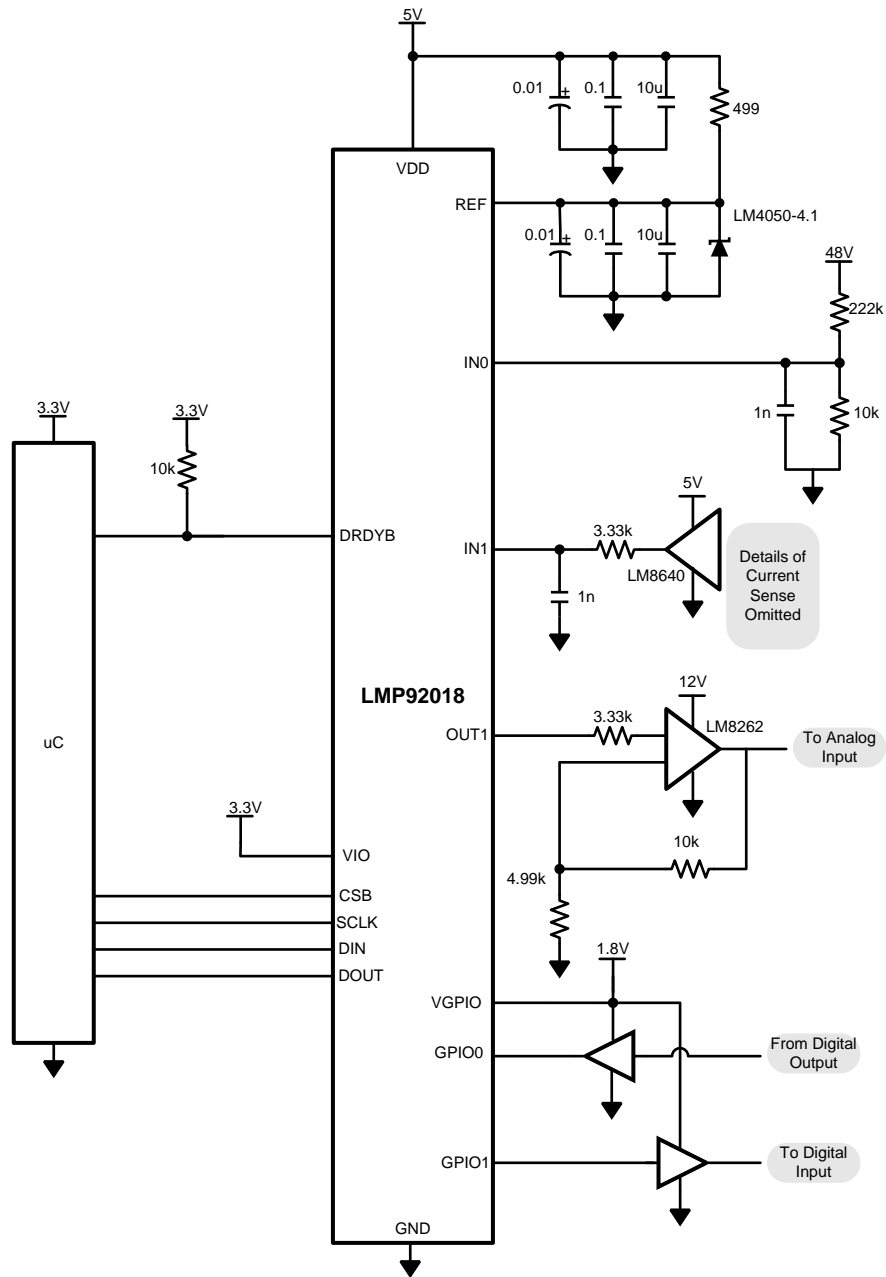


Figure 27. SPI Daisy Chain Transaction

Application Circuit Example



REVISION HISTORY

| Changes from Revision A (May 2013) to Revision B | Page |
|--|--------------------|
| • Changed layout of National Data Sheet to TI format | 27 |

PACKAGING INFORMATION

| Orderable Device | Status (1) | Package Type | Package Drawing | Pins | Package Qty | Eco Plan (2) | Lead finish/ Ball material (6) | MSL Peak Temp (3) | Op Temp (°C) | Device Marking (4/5) | Samples |
|------------------|---------------|--------------|-----------------|------|-------------|-----------------|--------------------------------------|----------------------|--------------|-------------------------|-------------------------|
| LMP92018SQ/NOPB | ACTIVE | WQFN | NJK | 36 | 1000 | RoHS & Green | SN | Level-3-260C-168 HR | -40 to 125 | L92018SQ | Samples |
| LMP92018SQE/NOPB | ACTIVE | WQFN | NJK | 36 | 250 | RoHS & Green | SN | Level-3-260C-168 HR | -40 to 125 | L92018SQ | Samples |
| LMP92018SQX/NOPB | ACTIVE | WQFN | NJK | 36 | 2500 | RoHS & Green | SN | Level-3-260C-168 HR | -40 to 125 | L92018SQ | Samples |

(1) The marketing status values are defined as follows:

ACTIVE: Product device recommended for new designs.

LIFEBUY: TI has announced that the device will be discontinued, and a lifetime-buy period is in effect.

NRND: Not recommended for new designs. Device is in production to support existing customers, but TI does not recommend using this part in a new design.

PREVIEW: Device has been announced but is not in production. Samples may or may not be available.

OBSELETE: TI has discontinued the production of the device.

(2) **RoHS:** TI defines "RoHS" to mean semiconductor products that are compliant with the current EU RoHS requirements for all 10 RoHS substances, including the requirement that RoHS substance do not exceed 0.1% by weight in homogeneous materials. Where designed to be soldered at high temperatures, "RoHS" products are suitable for use in specified lead-free processes. TI may reference these types of products as "Pb-Free".

RoHS Exempt: TI defines "RoHS Exempt" to mean products that contain lead but are compliant with EU RoHS pursuant to a specific EU RoHS exemption.

Green: TI defines "Green" to mean the content of Chlorine (Cl) and Bromine (Br) based flame retardants meet JS709B low halogen requirements of <=1000ppm threshold. Antimony trioxide based flame retardants must also meet the <=1000ppm threshold requirement.

(3) MSL, Peak Temp. - The Moisture Sensitivity Level rating according to the JEDEC industry standard classifications, and peak solder temperature.

(4) There may be additional marking, which relates to the logo, the lot trace code information, or the environmental category on the device.

(5) Multiple Device Markings will be inside parentheses. Only one Device Marking contained in parentheses and separated by a "~" will appear on a device. If a line is indented then it is a continuation of the previous line and the two combined represent the entire Device Marking for that device.

(6) Lead finish/Ball material - Orderable Devices may have multiple material finish options. Finish options are separated by a vertical ruled line. Lead finish/Ball material values may wrap to two lines if the finish value exceeds the maximum column width.

Important Information and Disclaimer:The information provided on this page represents TI's knowledge and belief as of the date that it is provided. TI bases its knowledge and belief on information provided by third parties, and makes no representation or warranty as to the accuracy of such information. Efforts are underway to better integrate information from third parties. TI has taken and continues to take reasonable steps to provide representative and accurate information but may not have conducted destructive testing or chemical analysis on incoming materials and chemicals. TI and TI suppliers consider certain information to be proprietary, and thus CAS numbers and other limited information may not be available for release.

In no event shall TI's liability arising out of such information exceed the total purchase price of the TI part(s) at issue in this document sold by TI to Customer on an annual basis.

TAPE AND REEL INFORMATION

QUADRANT ASSIGNMENTS FOR PIN 1 ORIENTATION IN TAPE


*All dimensions are nominal

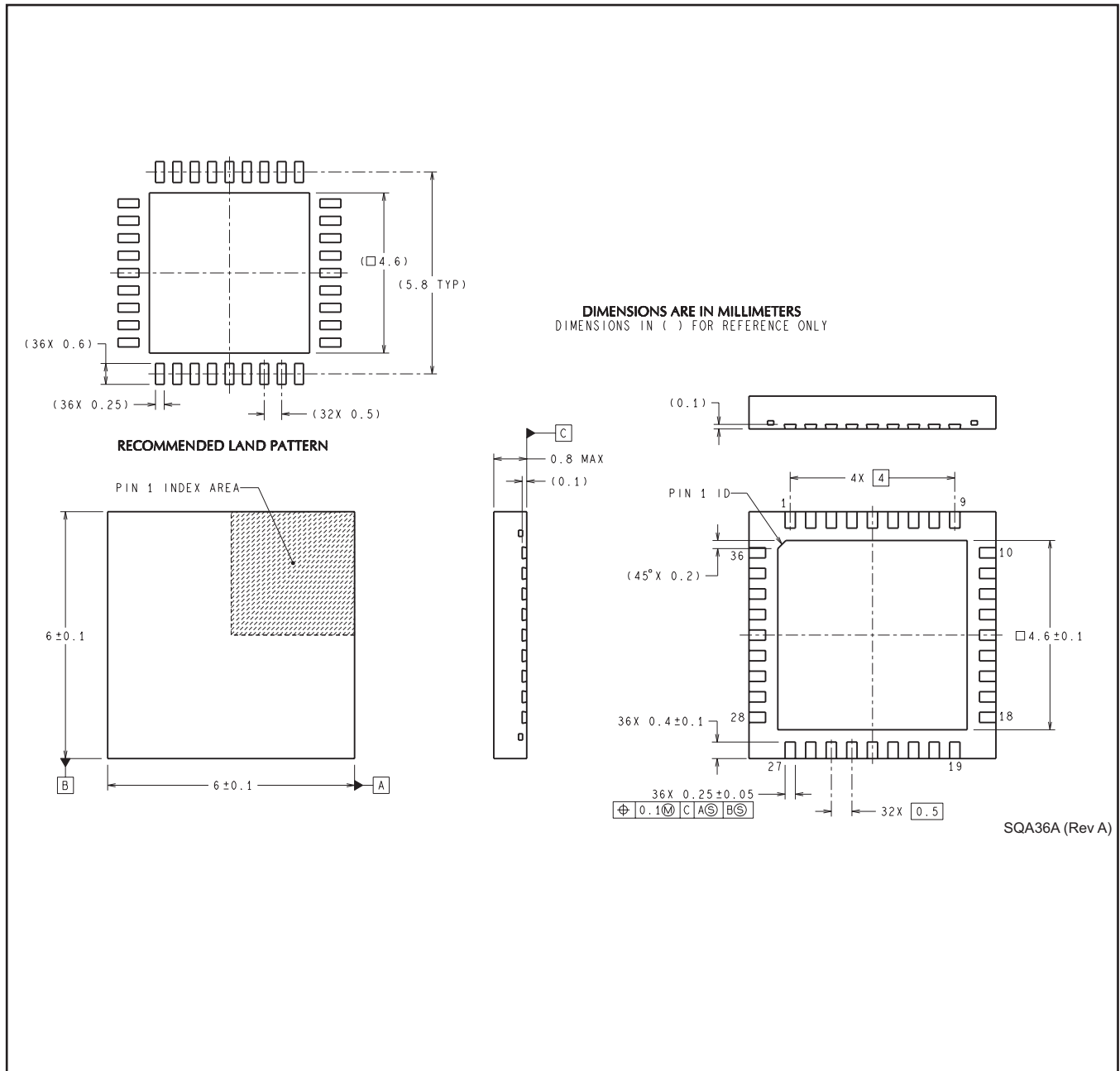
| Device | Package Type | Package Drawing | Pins | SPQ | Reel Diameter (mm) | Reel Width W1 (mm) | A0 (mm) | B0 (mm) | K0 (mm) | P1 (mm) | W (mm) | Pin1 Quadrant |
|------------------|--------------|-----------------|------|------|--------------------|--------------------|---------|---------|---------|---------|--------|---------------|
| LMP92018SQ/NOPB | WQFN | NJK | 36 | 1000 | 330.0 | 16.4 | 6.3 | 6.3 | 1.5 | 12.0 | 16.0 | Q2 |
| LMP92018SQE/NOPB | WQFN | NJK | 36 | 250 | 178.0 | 16.4 | 6.3 | 6.3 | 1.5 | 12.0 | 16.0 | Q2 |
| LMP92018SQX/NOPB | WQFN | NJK | 36 | 2500 | 330.0 | 16.4 | 6.3 | 6.3 | 1.5 | 12.0 | 16.0 | Q2 |

TAPE AND REEL BOX DIMENSIONS


*All dimensions are nominal

| Device | Package Type | Package Drawing | Pins | SPQ | Length (mm) | Width (mm) | Height (mm) |
|------------------|--------------|-----------------|------|------|-------------|------------|-------------|
| LMP92018SQ/NOPB | WQFN | NJK | 36 | 1000 | 356.0 | 356.0 | 35.0 |
| LMP92018SQE/NOPB | WQFN | NJK | 36 | 250 | 208.0 | 191.0 | 35.0 |
| LMP92018SQX/NOPB | WQFN | NJK | 36 | 2500 | 356.0 | 356.0 | 35.0 |

NJK0036A



IMPORTANT NOTICE AND DISCLAIMER

TI PROVIDES TECHNICAL AND RELIABILITY DATA (INCLUDING DATA SHEETS), DESIGN RESOURCES (INCLUDING REFERENCE DESIGNS), APPLICATION OR OTHER DESIGN ADVICE, WEB TOOLS, SAFETY INFORMATION, AND OTHER RESOURCES "AS IS" AND WITH ALL FAULTS, AND DISCLAIMS ALL WARRANTIES, EXPRESS AND IMPLIED, INCLUDING WITHOUT LIMITATION ANY IMPLIED WARRANTIES OF MERCHANTABILITY, FITNESS FOR A PARTICULAR PURPOSE OR NON-INFRINGEMENT OF THIRD PARTY INTELLECTUAL PROPERTY RIGHTS.

These resources are intended for skilled developers designing with TI products. You are solely responsible for (1) selecting the appropriate TI products for your application, (2) designing, validating and testing your application, and (3) ensuring your application meets applicable standards, and any other safety, security, regulatory or other requirements.

These resources are subject to change without notice. TI grants you permission to use these resources only for development of an application that uses the TI products described in the resource. Other reproduction and display of these resources is prohibited. No license is granted to any other TI intellectual property right or to any third party intellectual property right. TI disclaims responsibility for, and you will fully indemnify TI and its representatives against, any claims, damages, costs, losses, and liabilities arising out of your use of these resources.

TI's products are provided subject to [TI's Terms of Sale](#) or other applicable terms available either on ti.com or provided in conjunction with such TI products. TI's provision of these resources does not expand or otherwise alter TI's applicable warranties or warranty disclaimers for TI products.

TI objects to and rejects any additional or different terms you may have proposed.

Mailing Address: Texas Instruments, Post Office Box 655303, Dallas, Texas 75265
Copyright © 2022, Texas Instruments Incorporated