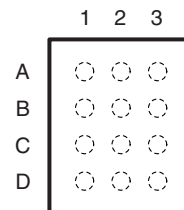


VOLTAGE-LEVEL SHIFTER FOR IC-USB INTERFACE

FEATURES

- V_{CCA} , V_{CCB} Supply Voltage: 1.1 V to 3.6 V
- When $V_{CCB} = 0$ V, A-Port is Disabled and B-Port is Held at GND Through 120-k Ω Pulldown
- Crossover Skew of <1 ns
- Meets All Requirements of the IC-USB Standard
- Small Package: 0.4 mm pitch WCSP (1.2 mm \times 1.6 mm)
- Latch-Up Performance Exceeds 100 mA Per JESD 78, Class II ESD Performance
 - A-Port (Host Side)
 - 2000-V Human-Body Model
 - 1000-V Charged-Device Model
 - B-Port (Peripheral Side)
 - 8000-V Contact Discharge
 - 15000-V Air-Gap Discharge

**YFP PACKAGE
(TOP VIEW)**


	1	2	3
A	PD_EN	V_{CCA}	V_{CCB}
B	D+(A)	V_{CCA}	D+(B)
C	D-(A)	GND	D-(B)
D	DIR	GND	DIR_POL

DESCRIPTION/ORDERING INFORMATION

The SN74AVC2T872 is a 2-bit voltage level translator optimized for use in interchip USB (IC-USB) applications. V_{CCA} and V_{CCB} can each operate over the full range of 1.1 V to 3.6 V. The device has been designed to maintain crossover skew to be less than 1 ns. Each B-port has an integrated 120-k Ω pulldown resistor that can be enabled and disabled using the PD_EN control signal. If $V_{CCB} = 0$ V, the A-port I/Os are disabled (Hi-Z) and the B-port I/Os are held to GND through the 120-k Ω resistors. If $V_{CCA} = 0$ V, the A-port and B-port I/Os are disabled (Hi-Z).

ORDERING INFORMATION

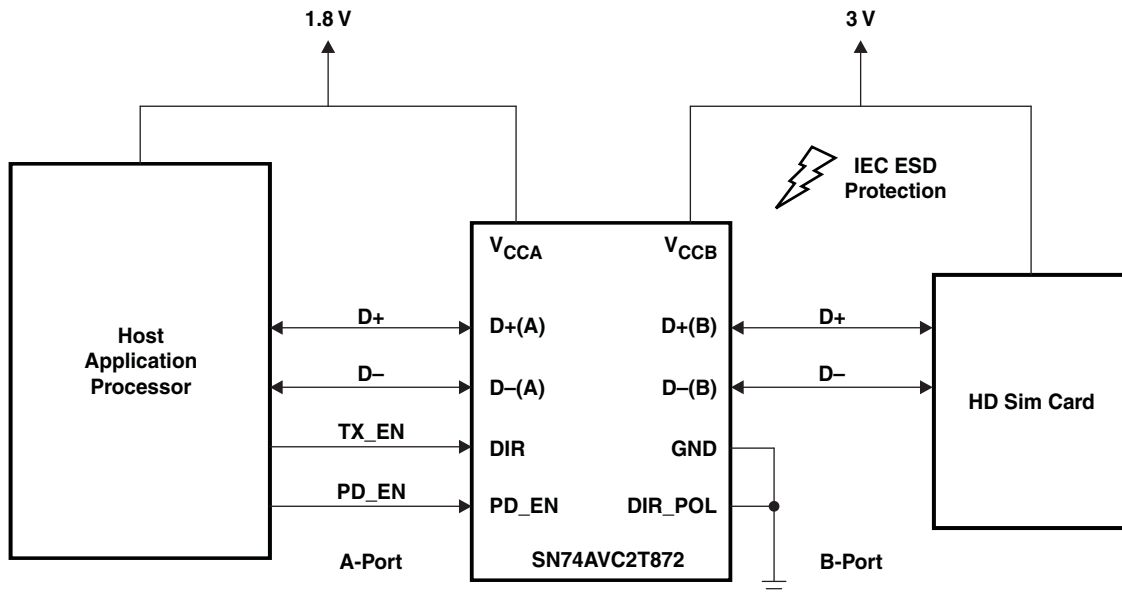
T_A	PACKAGE ⁽¹⁾⁽²⁾		ORDERABLE PART NUMBER	TOP-SIDE MARKING ⁽³⁾
–40°C to 85°C	WCSP – YFP	Reel of 3000	SN74AVC2T872YFPR	___ TU _

- (1) For the most current package and ordering information, see the Package Option Addendum at the end of this document, or see the TI web site at www.ti.com.
- (2) Package drawings, thermal data, and symbolization are available at www.ti.com/packaging.
- (3) YFP: The actual top-side marking has three preceding characters to denote year, month, and sequence code, and one following character to designate the assembly/test site. Pin 1 identifier indicates solder-bump composition (1 = SnPb, • = Pb-free).

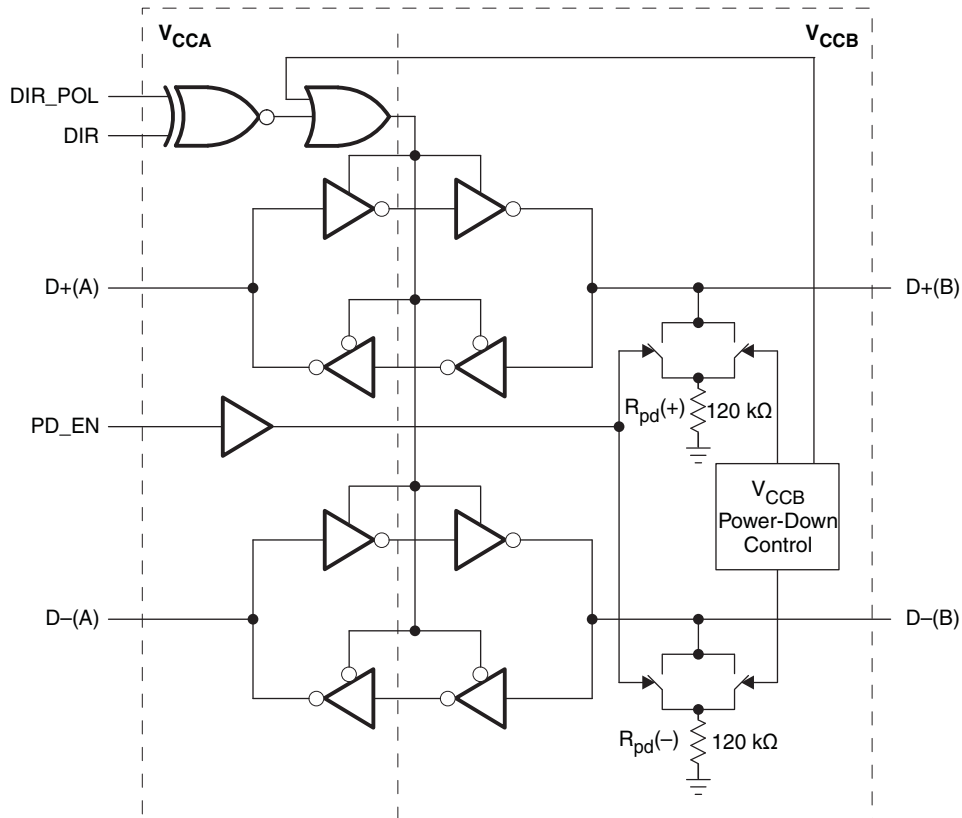


Please be aware that an important notice concerning availability, standard warranty, and use in critical applications of Texas Instruments semiconductor products and disclaimers thereto appears at the end of this data sheet.

TYPICAL APPLICATION BLOCK DIAGRAM



LOGIC DIAGRAM



TERMINAL FUNCTIONS

BALL NO.	NAME	FUNCTION
A1	PD_EN	Input to enable pulldown resistors on B-side. PD_EN = Low will disconnect the pulldown resistors. PD_EN = High will connect the pulldown resistors.
A2, B2	V _{CCA}	A-side supply voltage (1.1 V to 3.6 V)
A3	V _{CCB}	B-side supply voltage (1.1 V to 3.6 V)
B1	D+(A)	USB data signal connected to host.
B3	D+(B)	USB data signal connected to peripheral with internal 120 kΩ resistor to GND that can be disconnected by PD_EN.
C1	D–(A)	USB data signal connected to host.
C2, D2	GND	Ground
C3	D–(B)	USB data signal connected to peripheral with internal 120 kΩ resistor to GND that can be disconnected by PD_EN.
D1	DIR	Direction control input. If DIR_POL = Low, then DIR = Low allows A to B data flow. If DIR_POL = High, then DIR = High allows A to B data flow.
D3	DIR_POL	Direction polarity chooser. If DIR_POL = Low, then DIR = Low allows A to B data flow. If DIR_POL = High, then DIR = High allows A to B data flow.

FUNCTION TABLE

INPUTS		A-SIDE	B-SIDE	FUNCTION
DIR_POL	DIR			
L	L	Input	Output	A-to-B Data Flow
L	H	Output	Input	B-to-A Data Flow
H	L	Output	Input	B-to-A Data Flow
H	H	Input	Output	A-to-B Data Flow

B-SIDE PULLDOWN RESISTOR BEHAVIOR

V _{CCA}	V _{CCB}	PD_EN	PULLDOWN RESISTOR
			B-SIDE
0 V	X	X	None
1.1 to 3.6 V	0 V	X	120 kΩ to GND
1.1 to 3.6 V	1.1 to 3.6 V	L	None
1.1 to 3.6 V	1.1 to 3.6 V	H	120 kΩ to GND

ABSOLUTE MAXIMUM RATINGS⁽¹⁾

over operating free-air temperature range (unless otherwise noted)

		MIN	MAX	UNIT		
V_{CCA} V_{CCB}	Supply voltage range	-0.5	4.6	V		
V_I	Input voltage range ⁽²⁾	I/O ports (A-Port)	-0.5	4.6	V	
		I/O ports (B-Port)	-0.5	4.6		
		Control inputs	-0.5	4.6		
V_O	Voltage range applied to any output in the high-impedance or power-off state ⁽²⁾	A-Port	-0.5	4.6	V	
		B-Port	-0.5	4.6		
V_O	Voltage range applied to any output in the high or low state ⁽²⁾	A-Port	-0.5	$V_{CCA} + 0.5$	V	
		B-Port	-0.5	$V_{CCB} + 0.5$		
I_{IK}	Input clamp current	$V_I < 0$		-50	mA	
I_{OK}	Output clamp current	$V_O < 0$		-50	mA	
I_O	Continuous output current			±50	mA	
	Continuous current through V_{CCA} , V_{CCB} , or GND			±100	mA	
θ_{JA}	Package thermal impedance ⁽³⁾	YFP package		137.5	°C/W	
T_{stg}	Storage temperature range			-65	150	°C

- (1) Stresses beyond those listed under "absolute maximum ratings" may cause permanent damage to the device. These are stress ratings only, and functional operation of the device at these or any other conditions beyond those indicated under "recommended operating conditions" is not implied. Exposure to absolute-maximum-rated conditions for extended periods may affect device reliability.
- (2) The input voltage and output negative-voltage ratings may be exceeded if the input and output current ratings are observed.
- (3) The package thermal impedance is calculated in accordance with JESD 51-7.

RECOMMENDED OPERATING CONDITIONS⁽¹⁾⁽²⁾⁽³⁾

		V_{CCI}	V_{CCO}	MIN	MAX	UNIT
V_{CCA}	Supply voltage			1.1	3.6	V
V_{CCB}	Supply voltage			1.1	3.6	V
V_{IH}	High-level input voltage	Data inputs ⁽⁴⁾	1.1 V to 1.95 V	$V_{CCI} \times 0.65$		V
			1.95 V to 2.7 V	1.65		
			2.7 V to 3.6 V	2		
V_{IL}	Low-level input voltage	Data inputs ⁽⁴⁾	1.1 V to 1.95 V	$V_{CCI} \times 0.35$		V
			1.95 V to 2.7 V	0.7		
			2.7 V to 3.6 V	0.8		
V_{IH}	High-level input voltage	DIR, DIR_POL, PD_EN (referenced to V_{CCA}) ⁽⁵⁾	1.1 V to 1.95 V	$V_{CCA} \times 0.65$		V
			1.95 V to 2.7 V	$V_{CCA} \times 0.65$		
			2.7 V to 3.6 V	$V_{CCA} \times 0.65$		
V_{IL}	Low-level input voltage	DIR, DIR_POL, PD_EN (referenced to V_{CCA}) ⁽⁵⁾	1.1 V to 1.95 V	$V_{CCA} \times 0.35$		V
			1.95 V to 2.7 V	$V_{CCA} \times 0.35$		
			2.7 V to 3.6 V	$V_{CCA} \times 0.35$		
V_I	Input voltage			0	3.6	V
V_O	Output voltage	Active state		0	V_{CCO}	V
		3-state		0	3.6	
I_{OH}	High-level output current		1.1 to 1.3 V	–2		mA
			1.4 V to 1.6 V	–6		
			1.65 V to 1.95 V	–8		
			2.3 V to 2.7 V	–9		
			3 V to 3.6 V	–12		
I_{OL}	Low-level output current		1.1 V to 1.3 V	2		mA
			1.4 V to 1.6 V	6		
			1.65 V to 1.95 V	8		
			2.3 V to 2.7 V	9		
			3 V to 3.6 V	12		
$\Delta t/\Delta v$	Input transition rise or fall rate				5	ns/V
T_A	Operating free-air temperature			–40	85	°C

(1) V_{CCI} is the V_{CC} associated with the input port.

(2) V_{CCO} is the V_{CC} associated with the output port.

(3) All unused data inputs of the device must be held at V_{CCI} or GND to ensure proper device operation. All unused control inputs of the device must be held at V_{CCA} or GND to ensure proper device operation. See the TI application report, *Implications of Slow or Floating CMOS Inputs*, literature number [SCBA004](#).

(4) For data input values not specified in the data sheet, $V_{IH\ min} = V_{CCI} \times 0.7\ V$, $V_{IL\ max} = V_{CCI} \times 0.3\ V$.

(5) For control input values not specified in the data sheet, $V_{IH\ min} = V_{CCA} \times 0.7\ V$, $V_{IL\ max} = V_{CCA} \times 0.3\ V$.

ELECTRICAL CHARACTERISTICS⁽¹⁾⁽²⁾

over recommended operating free-air temperature range (unless otherwise noted)

PARAMETER	TEST CONDITIONS		V _{CCA}	V _{CCB}	T _A = 25°C			–40°C to 85°C		UNIT
					MIN	TYP	MAX	MIN	MAX	
V _{OH}	I _{OH} = –100 μA		1.1 V to 3.6 V	1.1 V to 3.6 V				V _{CCO} – 0.2		V
	I _{OH} = –2 mA		1.1 V	1.1 V				0.9		
	I _{OH} = –6 mA		1.4 V	1.4 V				1		
	I _{OH} = –8 mA		1.65 V	1.65 V				1.2		
	I _{OH} = –9 mA		2.3 V	2.3 V				1.75		
	I _{OH} = –12 mA		3 V	3 V				2.3		
V _{OL}	I _{OL} = 100 μA		1.1 V to 3.6 V	1.1 V to 3.6 V				0.2		V
	I _{OL} = 3 mA		1.1 V	1.1 V				0.3		
	I _{OL} = 6 mA		1.4 V	1.4 V				0.35		
	I _{OL} = 8 mA		1.65 V	1.65 V				0.45		
	I _{OL} = 9 mA		2.3 V	2.3 V				0.55		
	I _{OL} = 12 mA		3 V	3 V				0.7		
I _i	Control inputs	V _I = V _{CCA} or GND	1.1 V to 3.6 V	1.1 V to 3.6 V	±0.025	±0.25		±1	μA	
I _{off}	A port	V _I or V _O = 0 to 3.6 V	0 V	0 V to 3.6 V	±0.02	±2.5		±5	μA	
I _{OZ}	A port	DIR_POL = Low, PD_EN = Low, V _I = V _{CCI} to GND,	DIR = Low	3.6 V	3.6 V	±0.01	±2.5		±5	μA
	B port		DIR = High	3.6 V	3.6 V	±0.14	±5		±15	
I _{CCA}	V _I = V _{CCI} or GND, I _O = 0		1.1 V to 3.6 V	1.1 V to 3.6 V	0.02			10	μA	
			0 V	0 V to 3.6 V				–2		
			0 V to 3.6 V	0 V	0.01			10		
I _{CCB}	V _I = V _{CCI} or GND, I _O = 0		1.1 V to 3.6 V	1.1 V to 3.6 V	0.13			30	μA	
			0 V	0 V to 3.6 V	0.07			15		
			0 V to 3.6 V	0 V				–2		
I _{CCA} + I _{CCB}	V _I = V _{CCI} or GND, I _O = 0		1.1 V to 3.6 V	1.1 V to 3.6 V	0.15			40	μA	
C _i	Control inputs	V _I = 3.3 V or GND	3.6 V	3.6 V	1.5			2	pF	
C _{io}	A port	V _O = 3.3 V or GND	3.6 V	3.6 V	5.5			7	pF	
	B port				27			32.5		
R _{pd(+)} , R _{pd(-)}	DIR_POL = Low, DIR = High, PD_EN = High		3.6 V	3.6 V	118		80	150	kΩ	

(1) V_{CCO} is the V_{CC} associated with the output port.(2) V_{CCI} is the V_{CC} associated with the input port.

SWITCHING CHARACTERISTICS

over recommended operating free-air temperature range, $V_{CCA} = 1.2 \text{ V} \pm 0.1 \text{ V}$, $PD_EN = 0 \text{ V}$ (unless otherwise noted)

PARAMETER		FROM (INPUT)	TO (OUTPUT)	$V_{CCB} = 1.2 \text{ V} \pm 0.1 \text{ V}$		$V_{CCB} = 1.5 \text{ V} \pm 0.1 \text{ V}$		$V_{CCB} = 1.8 \text{ V} \pm 0.15 \text{ V}$		$V_{CCB} = 2.5 \text{ V} \pm 0.2 \text{ V}$		$V_{CCB} = 3.3 \text{ V} \pm 0.3 \text{ V}$		UNIT
				MIN	MAX	MIN	MAX	MIN	MAX	MIN	MAX	MIN	MAX	
t_{PLH}	Propagation delay	D+(A) to D+(B) or D-(A) to D-(B)		22		16		14		12		11		ns
t_{PHL}				22		16		14		12		11		
t_{PLH}		D+(B) to D+(A) or D-(B) to D-(A)		19		17		17		16		15		ns
t_{PHL}				19		17		17		16		15		
t_r	Output rise time			14		14		14		14		14		ns
t_f	Output fall time			14		14		14		14		14		ns
t_{PHZ}	Disable time	DIR or DIR_POL	D+(A) or D-(A)	24		24		24		24		24		ns
t_{PLZ}				24		24		24		24		24		
t_{PHZ}		DIR or DIR_POL	D+(B) or D-(B)	28		22		19		15		14		ns
t_{PLZ}				28		22		19		15		14		
t_{PZH}	Enable time ⁽¹⁾	DIR or DIR_POL	D+(A) or D-(A)	47		39		36		31		29		ns
t_{PZL}				47		39		36		31		29		
t_{PZH}		DIR or DIR_POL	D+(B) or D-(B)	46		40		38		36		35		ns
t_{PZL}				46		40		38		36		35		
F_{max}	Max data rate			12		12		12		12		12		Mbps

(1) The enable time is a calculated value derived using the formula shown in the enable times section.

SWITCHING CHARACTERISTICS

over recommended operating free-air temperature range, $V_{CCA} = 1.5 \text{ V} \pm 0.1 \text{ V}$, $PD_EN = 0 \text{ V}$ (unless otherwise noted)

PARAMETER		FROM (INPUT)	TO (OUTPUT)	$V_{CCB} = 1.2 \text{ V} \pm 0.1 \text{ V}$		$V_{CCB} = 1.5 \text{ V} \pm 0.1 \text{ V}$		$V_{CCB} = 1.8 \text{ V} \pm 0.15 \text{ V}$		$V_{CCB} = 2.5 \text{ V} \pm 0.2 \text{ V}$		$V_{CCB} = 3.3 \text{ V} \pm 0.3 \text{ V}$		UNIT
				MIN	MAX	MIN	MAX	MIN	MAX	MIN	MAX	MIN	MAX	
t_{PLH}	Propagation delay	D+(A) to D+(B) or D-(A) to D-(B)		18		0.7	13.3	0.5	11.3	0.4	8.9	0.3	7.7	ns
t_{PH}				18		0.7	11.8	0.5	10.2	0.4	8.2	0.3	7.5	
t_{PLH}		D+(B) to D+(A) or D-(B) to D-(A)		13		0.8	11.2	0.7	10.5	0.6	9.7	0.5	9.3	ns
t_{PHL}				13		0.8	10.9	0.7	10.2	0.6	9.4	0.5	9.1	
t_r	Output rise time			14		10		10		10		10		ns
t_f	Output fall time			14		10		10		10		10		ns
t_{PHZ}	Disable time	DIR or DIR_POL	D+(A) or D-(A)	17		1.3	14.2	1.3	13.4	1	11.8	1	11.1	ns
t_{PLZ}				17		1.3	14.2	1.3	14.3	1	14.4	1	14.4	
t_{PHZ}		DIR or DIR_POL	D+(B) or D-(B)	22		1.1	14.5	1.4	13.3	1.2	10.6	1.7	10.1	ns
t_{PLZ}				22		1.1	16.8	1.4	13.5	1.2	9.8	1.7	9.3	
t_{PZH}	Enable time ⁽¹⁾	DIR or DIR_POL	D+(A) or D-(A)	35		28		24		19.5		18.5		ns
t_{PZL}				35		25.3		23.5		20		19.2		
t_{PZH}		DIR or DIR_POL	D+(B) or D-(B)	35		27.5		25.5		23.2		22.1		ns
t_{PZL}				35		26.1		23.6		20		18.6		
F_{max}	Max data rate			12		12		12		12		12		Mbps

(1) The enable time is a calculated value derived using the formula shown in the enable times section.

SWITCHING CHARACTERISTICS

over recommended operating free-air temperature range, $V_{CCA} = 1.8\text{ V} \pm 0.15\text{ V}$, $PD_EN = 0\text{ V}$ (unless otherwise noted)

PARAMETER		FROM (INPUT)	TO (OUTPUT)	$V_{CCB} = 1.2\text{ V} \pm 0.1\text{ V}$		$V_{CCB} = 1.5\text{ V} \pm 0.1\text{ V}$		$V_{CCB} = 1.8\text{ V} \pm 0.15\text{ V}$		$V_{CCB} = 2.5\text{ V} \pm 0.2\text{ V}$		$V_{CCB} = 3.3\text{ V} \pm 0.3\text{ V}$		UNIT
				MIN	MAX	MIN	MAX	MIN	MAX	MIN	MAX	MIN	MAX	
t_{PLH}	Propagation delay	D+(A) to D+(B) or D-(A) to D-(B)		17		0.7	12.6	0.4	10.5	0.2	8.1	0.2	6.9	ns
t_{PHL}				17		0.7	11.2	0.4	9.5	0.2	7.4	0.2	6.7	
t_{PLH}		D+(B) to D+(A) or D-(B) to D-(A)		11		0.5	9.5	0.4	8.8	0.5	7.9	0.4	7.5	ns
t_{PHL}				11		0.5	9.3	0.4	8.7	0.5	7.9	0.4	7.6	
t_r	Output rise time			14		10		10		10		10		ns
t_f	Output fall time			14		10		10		10		10		ns
t_{PHZ}	Disable time	DIR or DIR_POL	D+(A) or D-(A)	13		1.1	11.4	1	10.8	0.5	9.8	0.5	9	ns
t_{PLZ}				13		1.1	10.7	1	10.8	0.5	10.8	0.5	10.9	
t_{PHZ}		DIR or DIR_POL	D+(B) or D-(B)	21		1.1	10.7	1.3	10.6	0.8	9	0.5	9	ns
t_{PLZ}				21		1.1	15.7	1.3	12.5	0.8	8.8	0.5	8.3	
t_{PZH}	Enable Time ⁽¹⁾	DIR or DIR_POL	D+(A) or D-(A)	32		25.2		21.3		16.7		15.8		ns
t_{PZL}				32		20.1		19.2		16.9		16.6		
t_{PZH}		DIR or DIR_POL	D+(B) or D-(B)	30		23.3		21.3		18.9		17.7		ns
t_{PZL}				30		22.7		20.3		17.2		15.8		
F_{max}	Max data rate			12		12		12		12		12		Mbps

(1) The enable time is a calculated value derived using the formula shown in the enable times section.

SWITCHING CHARACTERISTICS

over recommended operating free-air temperature range, $V_{CCA} = 2.5 \text{ V} \pm 0.2 \text{ V}$, $PD_EN = 0 \text{ V}$ (unless otherwise noted)

PARAMETER		FROM (INPUT)	TO (OUTPUT)	$V_{CCB} = 1.2 \text{ V} \pm 0.1 \text{ V}$		$V_{CCB} = 1.5 \text{ V} \pm 0.1 \text{ V}$		$V_{CCB} = 1.8 \text{ V} \pm 0.15 \text{ V}$		$V_{CCB} = 2.5 \text{ V} \pm 0.2 \text{ V}$		$V_{CCB} = 3.3 \text{ V} \pm 0.3 \text{ V}$		UNIT
				MIN	MAX	MIN	MAX	MIN	MAX	MIN	MAX	MIN	MAX	
t_{PLH}	Propagation delay	D+(A) to D+(B) or D-(A) to D-(B)		16	0.5	11.7	0.2	9.7	0.2	7.2	0.2	6	ns	
t_{PHL}				16	0.5	10.5	0.2	8.7	0.2	7.2	0.2	5.8		
t_{PLH}		D+(B) to D+(A) or D-(B) to D-(A)		9	0.4	7.5	0.5	6.8	0.4	5.9	0.3	5.6		ns
t_{PHL}				9	0.4	7.5	0.5	6.8	0.4	6	0.3	5.6		
t_r	Output rise time			14		10		10		10		10	ns	
t_f	Output fall time			14		10		10		10		10	ns	
t_{PHZ}	Disable time	DIR or DIR_POL	D+(A) or D-(A)	11	0.7	7.8	0.7	7.5	0.7	6.9	0.5	6.4	ns	
t_{PLZ}				11	0.7	6.8	0.7	6.8	0.7	6.8	0.5	6.8		
t_{PHZ}		DIR or DIR_POL	D+(B) or D-(B)	19	0.6	8.4	0.5	7.4	0.5	6.3	1	7.2	ns	
t_{PLZ}				19	0.6	14.4	0.5	11	0.5	7.4	1	6.9		
t_{PZH}	Enable time ⁽¹⁾	DIR or DIR_POL	D+(A) or D-(A)	29		21.9		17.8		13.3		12.5	ns	
t_{PZL}				29		15.9		14.2		12.2		12.8		
t_{PZH}		DIR or DIR_POL	D+(B) or D-(B)	27		18.5		16.4		14		12.8	ns	
t_{PZL}				27		18.2		16.2		14.1		12.2		
F_{max}	Max data rate			12		12		12		12		12	Mbps	

(1) The enable time is a calculated value derived using the formula shown in the enable times section.

SWITCHING CHARACTERISTICS

over recommended operating free-air temperature range, $V_{CCA} = 3.3\text{ V} \pm 0.3\text{ V}$, $PD_EN = 0\text{ V}$ (unless otherwise noted)

PARAMETER		FROM (INPUT)	TO (OUTPUT)	$V_{CCB} = 1.2\text{ V} \pm 0.1\text{ V}$		$V_{CCB} = 1.5\text{ V} \pm 0.1\text{ V}$		$V_{CCB} = 1.8\text{ V} \pm 0.15\text{ V}$		$V_{CCB} = 2.5\text{ V} \pm 0.2\text{ V}$		$V_{CCB} = 3.3\text{ V} \pm 0.3\text{ V}$		UNIT
				MIN	MAX	MIN	MAX	MIN	MAX	MIN	MAX	MIN	MAX	
t_{PLH}	Propagation delay	D+(A) to D+(B) or D-(A) to D-(B)		15		0.6	11.3	0.4	9.2	0.3	6.8	0.3	5.6	ns
t_{PHL}				15		0.6	10.2	0.4	8.4	0.3	6.2	0.3	5.5	
t_{PLH}		D+(B) to D+(A) or D-(B) to D-(A)		9		0.3	6.6	0.2	5.8	0.2	4.9	0.2	4.5	ns
t_{PHL}				9		0.3	7	0.2	6.2	0.2	5.3	0.2	4.9	
t_r	Output rise time			14		10		10		10		10		ns
t_f	Output fall time			14		10		10		10		10		ns
t_{PHZ}	Disable time	DIR or DIR_POL	D+(A) or D-(A)	9		1	6.6	1	6.5	1	6.1	1	5.8	ns
t_{PLZ}				9		1	5.7	1	5.7	1	5.7	1	5.7	
t_{PHZ}		DIR or DIR_POL	D+(B) or D-(B)	19		0.5	7.4	0.3	6.5	0.3	5.2	0.3	5.3	ns
t_{PLZ}				19		0.5	13.8	0.3	10.6	0.3	7	0.3	6.4	
t_{PZH}	Enable time ⁽¹⁾	DIR or DIR_POL	D+(A) or D-(A)	28		20.4		16.4		11.9		10.9		ns
t_{PZL}				28		14.4		12.7		10.4		10.2		
t_{PZH}		DIR or DIR_POL	D+(B) or D-(B)	24		17		14.9		12.5		11.3		ns
t_{PZL}				24		16.7		14.9		12.3		11.3		
F_{max}	Max data rate			12		12		12		12		12		Mbps

(1) The enable time is a calculated value derived using the formula shown in the enable times section.

IC-USB INTERFACE CHARACTERISTICS

over recommended operating free-air temperature range, $V_{CCA} = 1.8 \text{ V} \pm 0.15 \text{ V}$, $PD_EN = 0 \text{ V}$ (unless otherwise noted)

PARAMETER		FROM (INPUT)	TO (OUTPUT)	$V_{CCB} = 1.8 \text{ V} \pm 0.15 \text{ V}$		$V_{CCB} = 3 \text{ V} \pm 0.3 \text{ V}$		UNIT
				MIN	MAX	MIN	MAX	
t_{sko}	Output crossover skew	D+(A) to D-(A)	Opposite Transitions		1		1	ns
		D+(B) to D-(B)		1		1		
t_{jitter_c}	Consecutive transitions jitter			2		2	ns	
t_{jitter_p}	Paired transitions jitter			1		1		
F_{max}	Max data rate			12		12	Mbps	

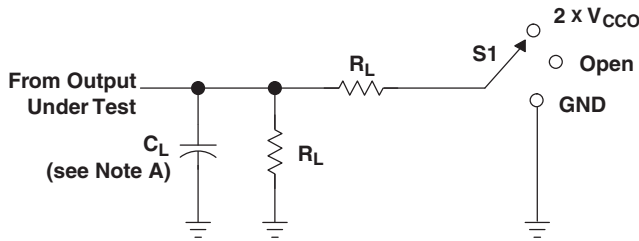
OPERATING CHARACTERISTICS

$T_A = 25^\circ\text{C}$

PARAMETER		TEST CONDITIONS	$V_{CCA} =$ $V_{CCB} = 1.2 \text{ V}$	$V_{CCA} =$ $V_{CCB} = 1.5 \text{ V}$	$V_{CCA} =$ $V_{CCB} = 1.8 \text{ V}$	$V_{CCA} =$ $V_{CCB} = 2.5 \text{ V}$	$V_{CCA} =$ $V_{CCB} = 3.3 \text{ V}$	UNIT
			TYP	TYP	TYP	TYP	TYP	
$C_{pdA}^{(1)}$	A-port input, B-port output	$C_L = 0,$ $f = 10 \text{ MHz},$ $t_r = t_f = 1 \text{ ns}$	1	1	1	1	2	pF
	B-port input, A-port output		14	14	14	16	20	
$C_{pdB}^{(1)}$	A-port input, B-port output	$C_L = 0,$ $f = 10 \text{ MHz},$ $t_r = t_f = 1 \text{ ns}$	28	27	27	27	27	pF
	B-port input, A-port output		1	1	1	1	2	

(1) Power dissipation capacitance per transceiver

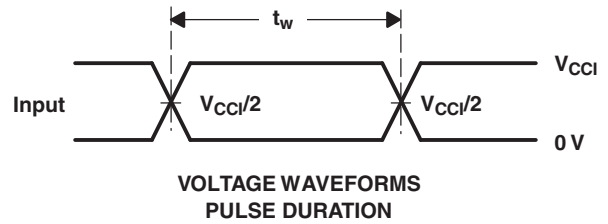
PARAMETER MEASUREMENT INFORMATION



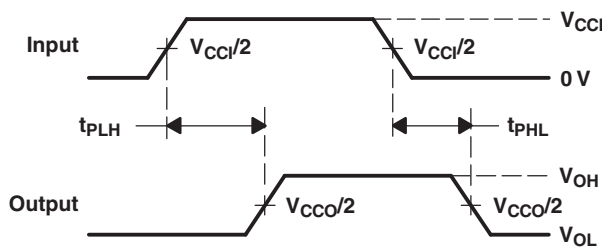
LOAD CIRCUIT

TEST	S1
t_{pd}	Open
t_{PLZ}/t_{PZL}	$2 \times V_{CCO}$
t_{PHZ}/t_{PZH}	GND

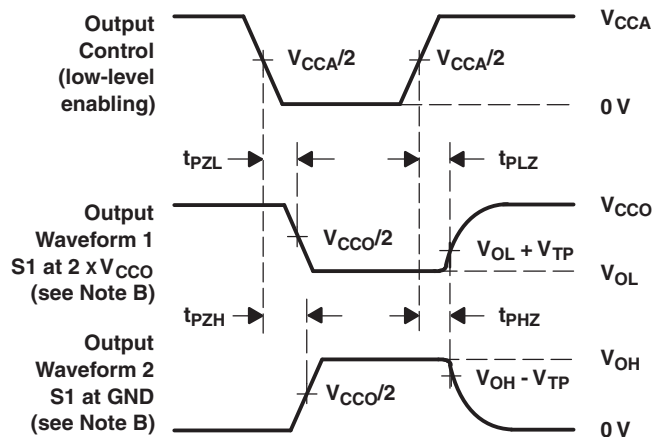
V_{CCO}	C_L	R_L	V_{TP}
1.2 V	18 pF	2 k Ω	0.1 V
1.5 V \pm 0.1 V	18 pF	2 k Ω	0.1 V
1.8 V \pm 0.15 V	18 pF	2 k Ω	0.15 V
2.5 V \pm 0.2 V	18 pF	2 k Ω	0.15 V
3.3 V \pm 0.3 V	18 pF	2 k Ω	0.3 V



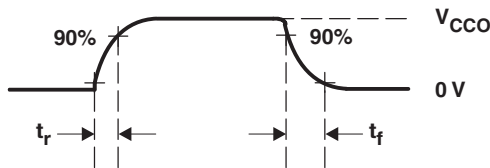
VOLTAGE WAVEFORMS PULSE DURATION



VOLTAGE WAVEFORMS PROPAGATION DELAY TIMES



VOLTAGE WAVEFORMS ENABLE AND DISABLE TIMES



OUTPUT RISE AND FALL TIMES

- A. C_L includes probe and jig capacitance.
- B. Waveform 1 is for an output with internal conditions such that the output is low, except when disabled by the output control. Waveform 2 is for an output with internal conditions such that the output is high, except when disabled by the output control.
- C. All input pulses are supplied by generators having the following characteristics: $PRR \leq 10$ MHz, $Z_O = 50$ Ω , $dv/dt \geq 1$ V/ns.
- D. The outputs are measured one at a time, with one transition per measurement.
- E. t_{PLZ} and t_{PHZ} are the same as t_{dis} .
- F. t_{PZL} and t_{PZH} are the same as t_{en} . For the SN74AVC2T872, these delays are calculated per the Enable Times formulas shown in Table 1.
- G. t_{PLH} and t_{PHL} are the same as t_{pd} .
- H. V_{CCI} is the V_{CC} associated with the input port.
- I. V_{CCO} is the V_{CC} associated with the output port.

Figure 1. Load Circuit and Voltage Waveforms

PARAMETER MEASUREMENT INFORMATION (continued)

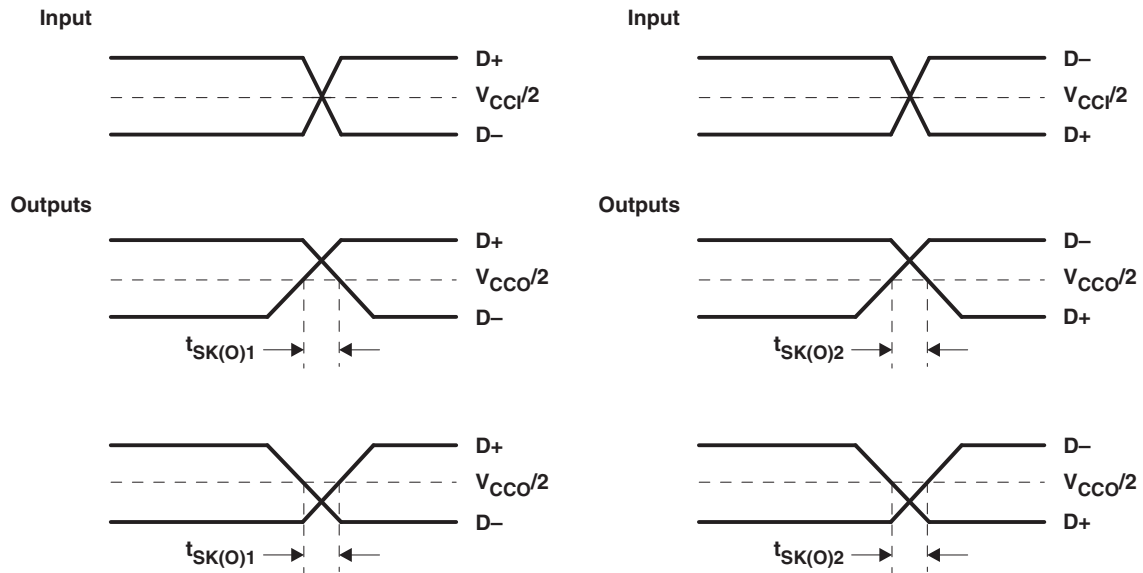


Figure 2. Output Crossover Skew

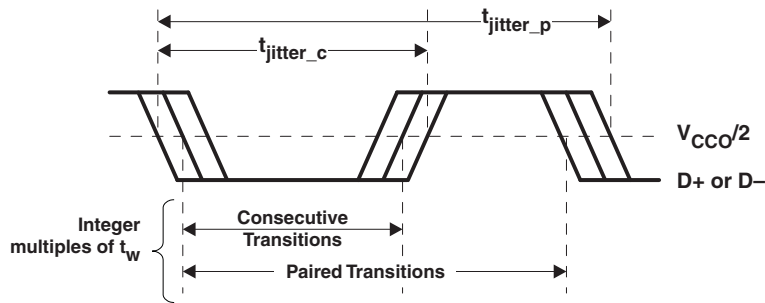


Figure 3. Output Jitter

APPLICATION INFORMATION

Enable Times

Calculate the enable times for the SN74AVC2T872 using the following formulas shown in [Table 1](#).

Table 1. Enable Times

$t_{PZH} \text{ (DIR to A)} = t_{PLZ} \text{ (DIR to B)} + t_{PLH} \text{ (B to A)}$
$t_{PZL} \text{ (DIR to A)} = t_{PHZ} \text{ (DIR to B)} + t_{PHL} \text{ (B to A)}$
$t_{PZH} \text{ (DIR to B)} = t_{PLZ} \text{ (DIR to A)} + t_{PLH} \text{ (A to B)}$
$t_{PZL} \text{ (DIR to B)} = t_{PHZ} \text{ (DIR to A)} + t_{PHL} \text{ (A to B)}$

In a bidirectional application, these enable times provide the maximum delay from the time the DIR bit is switched until an output is expected. For example, if the SN74AVC2T872 initially is transmitting from A to B, then the DIR bit is switched; the B port of the device must be disabled before presenting it with an input. After the B port has been disabled, an input signal applied to it appears on the corresponding A port after the specified propagation delay.

PACKAGING INFORMATION

Orderable Device	Status (1)	Package Type	Package Drawing	Pins	Package Qty	Eco Plan (2)	Lead finish/ Ball material (6)	MSL Peak Temp (3)	Op Temp (°C)	Device Marking (4/5)	Samples
SN74AVC2T872YFPR	NRND	DSBGA	YFP	12	3000	RoHS & Green	SNAGCU	Level-1-260C-UNLIM	-40 to 85	(TU2, TUN)	

(1) The marketing status values are defined as follows:

ACTIVE: Product device recommended for new designs.

LIFEBUY: TI has announced that the device will be discontinued, and a lifetime-buy period is in effect.

NRND: Not recommended for new designs. Device is in production to support existing customers, but TI does not recommend using this part in a new design.

PREVIEW: Device has been announced but is not in production. Samples may or may not be available.

OBSELETE: TI has discontinued the production of the device.

(2) **RoHS:** TI defines "RoHS" to mean semiconductor products that are compliant with the current EU RoHS requirements for all 10 RoHS substances, including the requirement that RoHS substance do not exceed 0.1% by weight in homogeneous materials. Where designed to be soldered at high temperatures, "RoHS" products are suitable for use in specified lead-free processes. TI may reference these types of products as "Pb-Free".

RoHS Exempt: TI defines "RoHS Exempt" to mean products that contain lead but are compliant with EU RoHS pursuant to a specific EU RoHS exemption.

Green: TI defines "Green" to mean the content of Chlorine (Cl) and Bromine (Br) based flame retardants meet JS709B low halogen requirements of <=1000ppm threshold. Antimony trioxide based flame retardants must also meet the <=1000ppm threshold requirement.

(3) MSL, Peak Temp. - The Moisture Sensitivity Level rating according to the JEDEC industry standard classifications, and peak solder temperature.

(4) There may be additional marking, which relates to the logo, the lot trace code information, or the environmental category on the device.

(5) Multiple Device Markings will be inside parentheses. Only one Device Marking contained in parentheses and separated by a "-" will appear on a device. If a line is indented then it is a continuation of the previous line and the two combined represent the entire Device Marking for that device.

(6) Lead finish/Ball material - Orderable Devices may have multiple material finish options. Finish options are separated by a vertical ruled line. Lead finish/Ball material values may wrap to two lines if the finish value exceeds the maximum column width.

Important Information and Disclaimer:The information provided on this page represents TI's knowledge and belief as of the date that it is provided. TI bases its knowledge and belief on information provided by third parties, and makes no representation or warranty as to the accuracy of such information. Efforts are underway to better integrate information from third parties. TI has taken and continues to take reasonable steps to provide representative and accurate information but may not have conducted destructive testing or chemical analysis on incoming materials and chemicals. TI and TI suppliers consider certain information to be proprietary, and thus CAS numbers and other limited information may not be available for release.

In no event shall TI's liability arising out of such information exceed the total purchase price of the TI part(s) at issue in this document sold by TI to Customer on an annual basis.

TAPE AND REEL INFORMATION



QUADRANT ASSIGNMENTS FOR PIN 1 ORIENTATION IN TAPE



*All dimensions are nominal

Device	Package Type	Package Drawing	Pins	SPQ	Reel Diameter (mm)	Reel Width W1 (mm)	A0 (mm)	B0 (mm)	K0 (mm)	P1 (mm)	W (mm)	Pin1 Quadrant
SN74AVC2T872YFPR	DSBGA	YFP	12	3000	178.0	9.2	1.28	1.68	0.62	4.0	8.0	Q1

TAPE AND REEL BOX DIMENSIONS

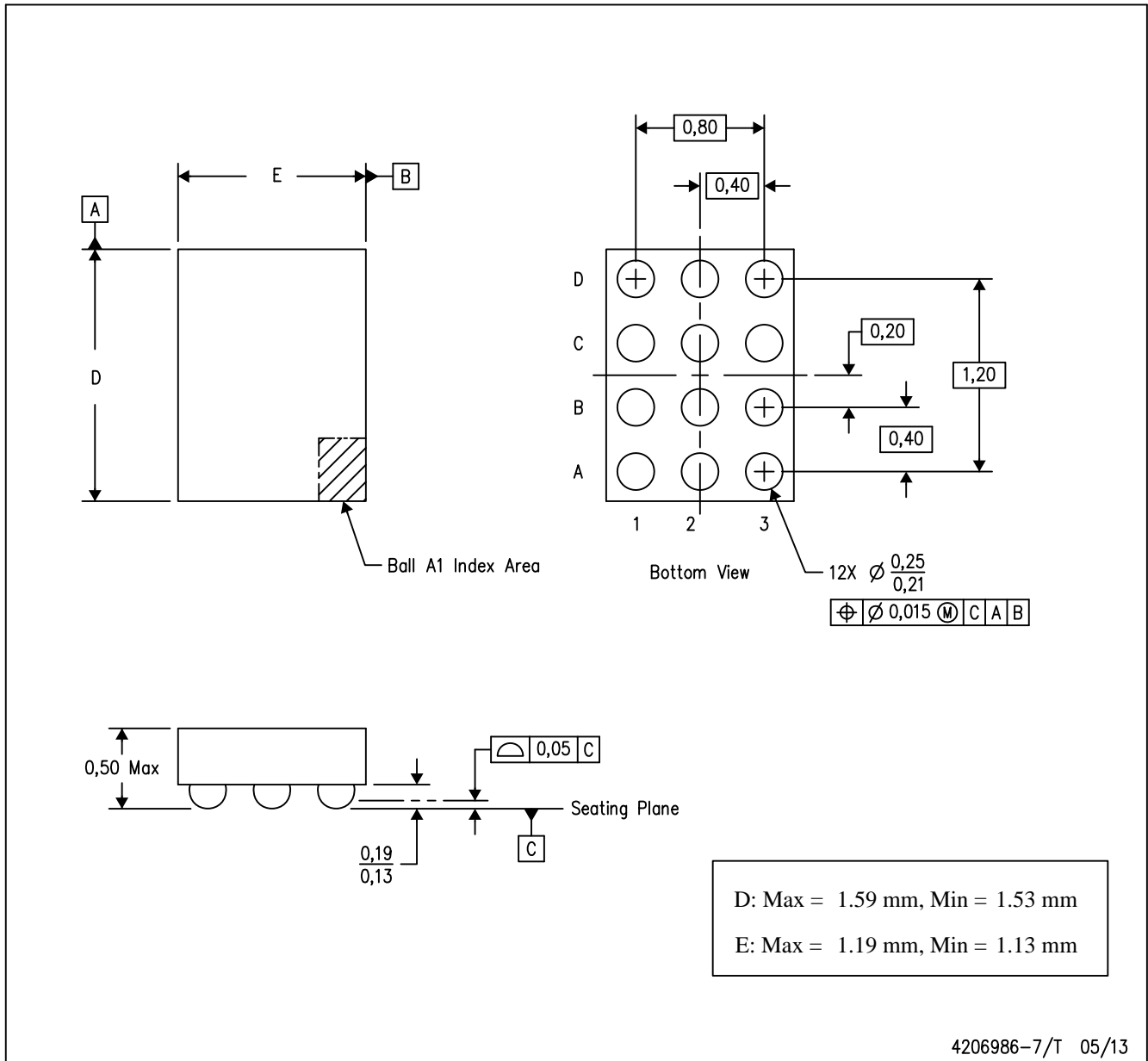


*All dimensions are nominal

Device	Package Type	Package Drawing	Pins	SPQ	Length (mm)	Width (mm)	Height (mm)
SN74AVC2T872YFPR	DSBGA	YFP	12	3000	220.0	220.0	35.0

YFP (R-XBGA-N12)

DIE-SIZE BALL GRID ARRAY



- NOTES:
- A. All linear dimensions are in millimeters. Dimensioning and tolerancing per ASME Y14.5M-1994.
 - B. This drawing is subject to change without notice.
 - C. NanoFree™ package configuration.

IMPORTANT NOTICE AND DISCLAIMER

TI PROVIDES TECHNICAL AND RELIABILITY DATA (INCLUDING DATA SHEETS), DESIGN RESOURCES (INCLUDING REFERENCE DESIGNS), APPLICATION OR OTHER DESIGN ADVICE, WEB TOOLS, SAFETY INFORMATION, AND OTHER RESOURCES "AS IS" AND WITH ALL FAULTS, AND DISCLAIMS ALL WARRANTIES, EXPRESS AND IMPLIED, INCLUDING WITHOUT LIMITATION ANY IMPLIED WARRANTIES OF MERCHANTABILITY, FITNESS FOR A PARTICULAR PURPOSE OR NON-INFRINGEMENT OF THIRD PARTY INTELLECTUAL PROPERTY RIGHTS.

These resources are intended for skilled developers designing with TI products. You are solely responsible for (1) selecting the appropriate TI products for your application, (2) designing, validating and testing your application, and (3) ensuring your application meets applicable standards, and any other safety, security, regulatory or other requirements.

These resources are subject to change without notice. TI grants you permission to use these resources only for development of an application that uses the TI products described in the resource. Other reproduction and display of these resources is prohibited. No license is granted to any other TI intellectual property right or to any third party intellectual property right. TI disclaims responsibility for, and you will fully indemnify TI and its representatives against, any claims, damages, costs, losses, and liabilities arising out of your use of these resources.

TI's products are provided subject to [TI's Terms of Sale](#) or other applicable terms available either on [ti.com](https://www.ti.com) or provided in conjunction with such TI products. TI's provision of these resources does not expand or otherwise alter TI's applicable warranties or warranty disclaimers for TI products.

TI objects to and rejects any additional or different terms you may have proposed.

Mailing Address: Texas Instruments, Post Office Box 655303, Dallas, Texas 75265
Copyright © 2023, Texas Instruments Incorporated