

支持静电放电 (ESD)，用于 V_{BUS_CON} 引脚的 USB 充电器过压保护 (OVP) 开关

 查询样品: [TPD1S414](#)

特性

- V_{BUS_CON} 上的输入直流电压保护高达 **30V**
- 低 R_{ON} nFET 开关支持主机和充电模式
- 耐受高达 **100V** 开路浪涌电压 (按照 IEC61000-4-5 标准)
- 内部 **15ms** 启动延迟
- 内部 **30ms** 软启动延迟以最大限度地减小 USB 涌入电流
- **ESD 性能 V_{BUS_CON}**
 - **±15kV** 接触放电 (IEC 61000-4-2)
 - **±15kV** 空气间隙放电 (IEC 61000-4-2)
- 集成输入启用和状态输出信号
- 热关断特性
- 节省空间的晶圆芯片级 (WCSP) 封装 (**1.4mm x 1.89mm**)

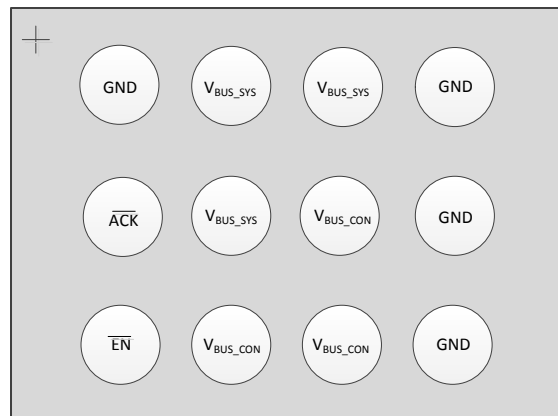
应用范围

- 手机
- 电子书
- 便携式媒体播放器

说明

TPD1S414 是一款用于 USB 连接器的 V_{BUS} 线路保护的单芯片解决方案。此双向 nFET 开关在保护内部系统电路不受任何 V_{BUS_CON} 引脚上过压情况影响的同时，可确保充电和主机模式下的安全电流流量。在 V_{BUS_CON} 引脚上，这个器件能够处理高达 30V 超压保护。在 \overline{EN} 引脚切换为低电平时，TPD1S414 在接通 nFET 之前通过一个软启动延迟来等待 20ms。 \overline{ACK} 引脚表示 FET 完全接通。

**YZ PACKAGE
(TOP VIEW - SEE THROUGH)**



12-YZ Pin Mapping

	1	2	3	4
A	GND	V_{BUS_SYS}	V_{BUS_SYS}	GND
B	\overline{ACK}	V_{BUS_SYS}	V_{BUS_CON}	GND
C	\overline{EN}	V_{BUS_CON}	V_{BUS_CON}	GND



Please be aware that an important notice concerning availability, standard warranty, and use in critical applications of Texas Instruments semiconductor products and disclaimers thereto appears at the end of this data sheet.



These devices have limited built-in ESD protection. The leads should be shorted together or the device placed in conductive foam during storage or handling to prevent electrostatic damage to the MOS gates.

FUNCTIONAL BLOCK DIAGRAM

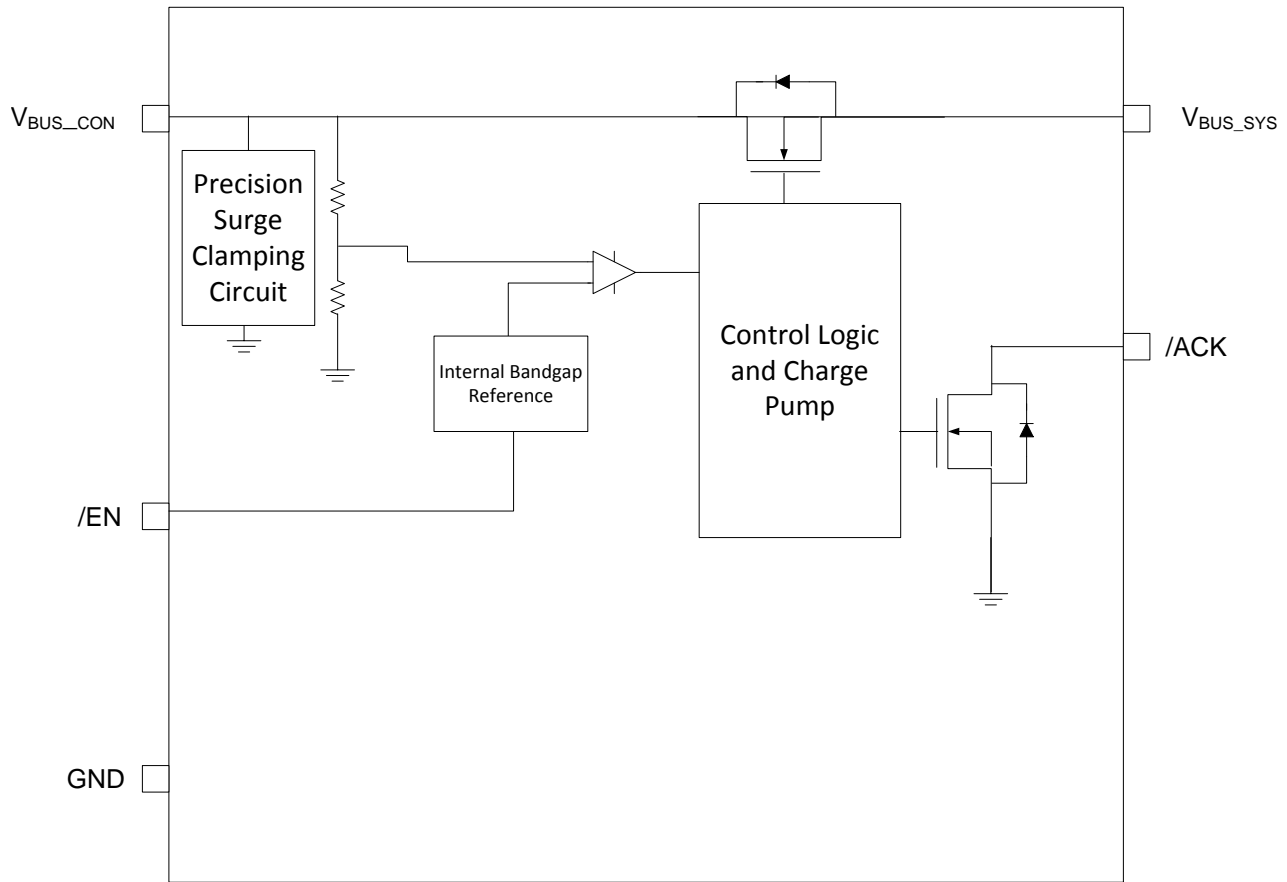


Table 1. DEVICE OPERATION

Voltage Condition			Current Condition		
V _{BUS_CON}	V _{BUS_SYS}	$\overline{\text{EN}}$	Current Flow	Comment	$\overline{\text{ACK}}$ Pin
X	<V _{BUS_CON}	High	No Flow	Switch off	High-Z
X	>V _{BUS_CON}	High	V _{BUS_SYS} to V _{BUS_CON}	Switch off, current flows through the body diode	High-Z
<OVP	<V _{BUS_CON}	Low	V _{BUS_CON} to V _{BUS_SYS}	Current flows through the switch, normal device charging mode	Low
<OVP	>V _{BUS_CON}	Low	V _{BUS_SYS} to V _{BUS_CON}	Current flows through the switch, normal host mode	Low
>OVP	<V _{BUS_CON}	Low	No Flow	Switch off due to OVP	High-Z
>OVP	>V _{BUS_CON}	Low	V _{BUS_SYS} to V _{BUS_CON}	Switch off, current flows through the body diode	High-Z
X	X	X	No Flow/ Current thru Body Diode	THERMAL SHUTDOWN CONDITION	High-Z
<V _{UVLO}	<V _{BUS_CON}	Low	No Flow	Low Voltage is cut-off from the system	High-Z

PIN DESCRIPTIONS

PIN NAME	PIN NUMBER	PIN TYPE	DESCRIPTION
$\overline{\text{ACK}}$	B1	O	Open-Drain Acknowledge pin. See the Device Operation section.
$\overline{\text{EN}}$	C1	I	Enable Active-Low Input. Drive $\overline{\text{EN}}$ low to enable the switch. Drive $\overline{\text{EN}}$ high to disable the switch.
$V_{\text{BUS_CON}}$	C3, C2, B3	I/O	Connect to USB connector $V_{\text{BUS_CON}}$; IEC61000-4-2 ESD protection IEC61000-4-5 Surge protection
$V_{\text{BUS_SYS}}$	A3, A2, B2	I/O	Connect to internal V_{BUS} plane
GND	A1, A4, B4, C4	Ground	Connect to PCB ground plane

For the most current package and ordering information, see the Package Option Addendum at the end of this document, or see the TI Web site at www.ti.com.

ABSOLUTE MAXIMUM RATINGS ⁽¹⁾⁽²⁾

over operating free-air temperature range (unless otherwise noted)

	MIN	MAX	UNIT
Supply voltage from USB connector, $V_{\text{BUS_CON}}$	-0.3	30	V
Internal Supply DC voltage Rail on the PCB, $V_{\text{BUS_SYS}}$	-0.5	7	V
Voltage on Input pin ($\overline{\text{EN}}$). V_{EN}	-0.5	7	V
Voltage on $\overline{\text{ACK}}$ pin	-0.5	7	V
Storage temperature range, T_{STG}	-40	150	°C
Operating Free Air Temperature, T_{A}	-40	85	°C
IEC 61000-4-2 Contact Discharge	$V_{\text{BUS_CON}}$ pin	±15	kV
IEC 61000-4-2 Air-gap Discharge	$V_{\text{BUS_CON}}$ pin	±15	kV
Human-Body Model	ALL Pins	±2	kV
IEC 61000-4-5 Peak Pulse Current ($t_p = 8/20 \mu\text{s}$)	$V_{\text{BUS_CON}}$ pin	21	A
IEC 61000-4-5 Peak Pulse Power ($t_p = 8/20 \mu\text{s}$)	$V_{\text{BUS_CON}}$ pin	700	W
IEC 61000-4-5 Open circuit voltage ($t_p = 1.2/50 \mu\text{s}$)	$V_{\text{BUS_CON}}$ pin	100	V
Output load capacitance, C_{LOAD}	$V_{\text{BUS_SYS}}$ pin	0.1	50
Input capacitance, C_{ON}	$V_{\text{BUS_CON}}$ pin	0.1	50

- Stresses above these ratings may cause permanent damage. Exposure to absolute maximum conditions for extended periods may degrade device reliability. These are stress ratings only, and functional operation of the device at these or any other conditions beyond those specified is not implied.
- The algebraic convention, whereby the most negative value is a minimum and the most positive value is a maximum.

THERMAL INFORMATION

THERMAL METRIC ⁽¹⁾		YZ	UNITS
		12 PINS	
θ_{JA}	Junction-to-ambient thermal resistance	89	°C/W
$\theta_{\text{JC(top)}}$	Junction-to-case(top) thermal resistance	0.6	
θ_{JB}	Junction-to-board thermal resistance	16.3	
ψ_{JT}	Junction-to-top characterization parameter	2.7	
ψ_{JB}	Junction-to-board characterization parameter	16.2	
$\theta_{\text{JC(bottom)}}$	Junction-to-case(bottom) thermal resistance	n/A	

- 有关传统和全新热度的更多信息，请参阅 *IC 封装热量应用报告* (文献号: ZHCA543)。

RECOMMENDED OPERATING CONDITIONS

over operating free-air temperature range (unless otherwise noted)

PARAMETER		MIN	NOM	MAX	UNIT
V _{BUS_CON}	Supply voltage from USB connector			5.9	V
V _{BUS_SYS}	Internal Supply DC voltage Rail on the PCB			5.9	V
C _{LOAD}	Output load capacitance		V _{BUS_SYS} pin	2.2	μF
C _{IN}	Input capacitance		V _{BUS_CON} pin	1	μF
R _{PULLUP}	Pull up resistor		ACK pin	4.3	100 kΩ
I _{VBUS}	Continuous current on V _{BUS_CON} and V _{BUS_SYS} pins		V _{BUS_CON} V _{BUS_SYS}	3.5	A
I _{DIODE}	Continuous current through the FET body diode			1	A

SUPPLY CURRENT CONSUMPTION

over operating free-air temperature range (unless otherwise noted)

PARAMETER		TEST CONDITIONS	MIN	TYP	MAX	UNIT
I _{VBUS_SLEEP}	V _{BUS_CON} Operating Current Consumption	Measured at V _{BUS_CON} pin, V _{BUS_CON} = 5 V, EN = 5V		30	70	μA
I _{VBUS}		Measured at V _{BUS_CON} pin, V _{BUS_CON} = 5 V, EN 0 V and no load		175	373	μA
I _{VBUS_SYS}	V _{BUS_CON} Operating Current Consumption	Measured at V _{BUS_SYS} pin, V _{BUS_SYS} = 5 V, EN = 0 V and V _{BUS_CON} = Hi Z		175	373	μA
I _{HOST_LEAK}	Host Mode Leakage current	Measured at V _{BUS_SYS} . V _{BUS_CON} = Hi Z, EN = 5 V, V _{BUS_SYS} = 5V	90		200	μA

ELECTRICAL CHARACTERISTICS (EN, ACK PINS)

over operating free-air temperature range (unless otherwise noted)

PARAMETER		TEST CONDITIONS	MIN	TYP	MAX	UNIT
V _{IH}	High-level input voltage, EN		1.2		6	V
V _{IL}	Low-level input voltage, EN				0.8	V
I _{IL}	Input Leakage Current EN	V _I = 3.3 V			1	μA
V _{OL}	Low-level output voltage, ACK	I _{OL} = 3 mA			0.4	V

ELECTRICAL CHARACTERISTICS (OVP CIRCUIT)

over operating free-air temperature range (unless otherwise noted)

PARAMETER		TEST CONDITIONS	MIN	TYP	MAX	UNIT
V _{OVP_RISING}	Input overvoltage protection threshold, V _{BUS_CON}	V _{BUS_CON} increasing from 5 V	6	6.2	6.4	V
V _{HYS_OVP}	Hysteresis on OVP, V _{BUS_CON}	V _{BUS_CON} decreasing from 7 V to 5 V		50		mV
V _{OVP_FALLING}	Input overvoltage protection threshold, V _{BUS_CON}	V _{BUS_CON} decreasing from 7 V to 5 V	5.93		6.37	V
V _{UVLO}	Input under voltage lockout, V _{BUS_CON}	V _{BUS_CON} voltage rising from 0 V to 5 V	3.1	3.3	3.5	V
V _{HYS_UVLO}	Hysteresis on UVLO, V _{BUS_CON}	Difference between rising and falling UVLO thresholds		100		mV
V _{UVLO_FALLING}	Input under voltage lockout, V _{BUS_CON}	V _{BUS_CON} voltage rising from 5 V to 0 V	3	3.2	3.4	V
V _{UVLO_SYS}	V _{BUS_SYS} under voltage lockout, V _{BUS_SYS}	V _{BUS_SYS} voltage rising from 0 V to 5 V	3.1	3.6	4.3	V

ELECTRICAL CHARACTERISTICS (OVP CIRCUIT) (continued)

over operating free-air temperature range (unless otherwise noted)

PARAMETER		TEST CONDITIONS	MIN	TYP	MAX	UNIT
$V_{HYS_UVLO_SYS}$	V_{BUS_SYS} UVLO Hysteresis, V_{BUS_SYS}	Difference between rising and falling UVLO thresholds on V_{BUS_SYS}		480		mV
$V_{UVLO_SYS_FALL}$	V_{BUS_SYS} undervoltage lockout, V_{BUS_SYS}	V_{BUS_SYS} voltage falling from 7 V to 5 V	3	3.2	3.4	V

THERMAL SHUTDOWN FEATURE

over operating free-air temperature range (unless otherwise noted)

PARAMETER		TEST CONDITIONS	MIN	TYP	MAX	UNIT
T_{SHDN}	Thermal Shutdown	Junction temperature		145		°C
	Thermal-Shutdown Hysteresis	Junction temperature		35		°C

SWITCHING CHARACTERISTICS (nFET)

over operating free-air temperature range (unless otherwise noted)

PARAMETER		TEST CONDITIONS	MIN	TYP	MAX	UNIT
$R_{DS(on)}$	Switch ON Resistance	$V_{BUS_CON} = 5\text{ V}$, $I_{OUT} = 1\text{ A}$, $T_A = 25^\circ\text{C}$		39	50	m Ω

TIMING REQUIREMENTS

over operating free-air temperature range (unless otherwise noted)

PARAMETER		TEST CONDITIONS	MIN	TYP	MAX	UNIT
t_{DELAY}	USB Charging Turn-ON Delay	Measured from \overline{EN} asserted LOW to nFET beginning to Turn ON ⁽¹⁾ excluding soft-start time		20		ms
t_{SS}	USB Charging rise time (Soft Start Delay)	Measure from V_{BUS_SYS} rises above 25% (with 1 M Ω load/ NO C_{LOAD}) until ACK goes Low (10%)		25		ms
t_{OFF_DELAY}	USB Charging Turn-OFF time	Measured from \overline{EN} asserted High to V_{BUS_SYS} falling to 10% with $R_{LOAD} = 10\ \Omega$ and No C_{LOAD} on V_{BUS_SYS}		4		μs
Over Voltage Protection						
$t_{OVP_response}$	OVP Response time	Measured from OVP Condition to FET Turn OFF ⁽¹⁾⁽²⁾ . V_{BUS_CON} rises at 1V / 100ns			100	ns
t_{OVP_Recov}	Recovery Time	Measured from OVP Clear to FET Turn ON ⁽¹⁾⁽³⁾		20		ms

(1) Shown in TIMING DIAGRAM Plots

(2) Parameters provided for reference only, and do not constitute part of TI's published device specifications for purposes of TI's product warranty.

(3) Excludes soft start time

TYPICAL CHARACTERISTICS

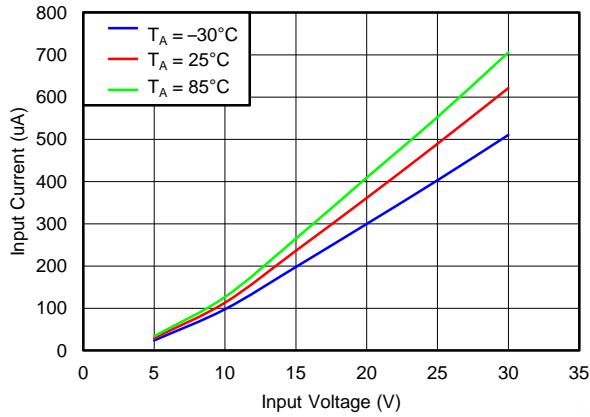


Figure 1. Input Supply Current vs. Supply Voltage

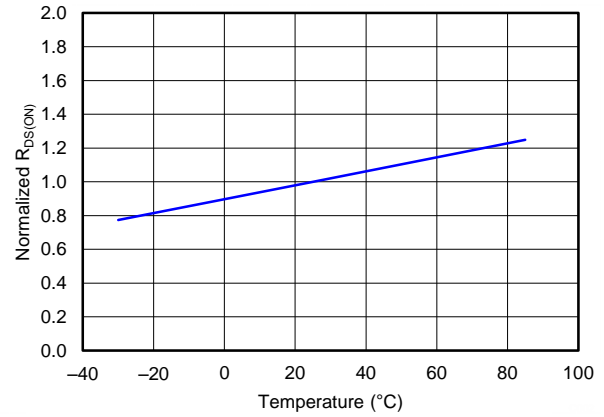


Figure 2. Normalized $R_{DS(ON)}$ vs. Temperature

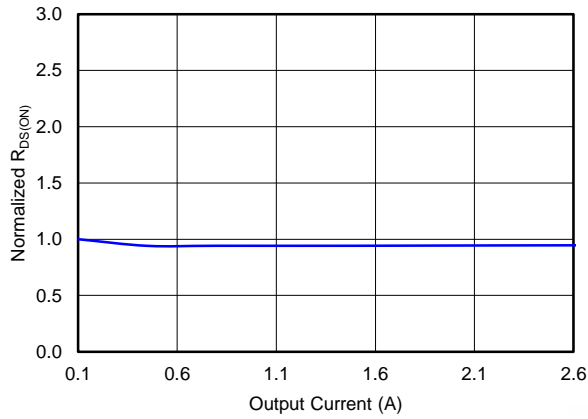


Figure 3. Normalized $R_{DS(ON)}$ vs. Output Current

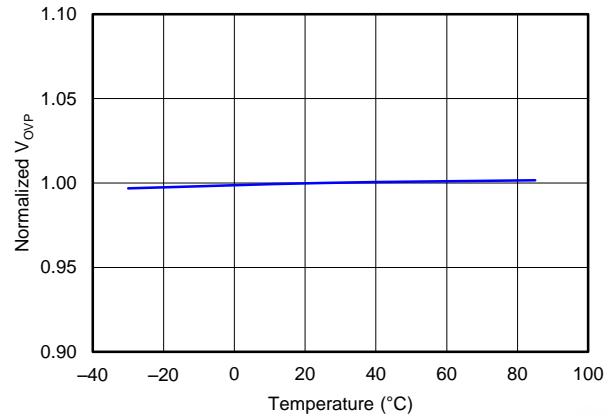


Figure 4. Normalized V_{OVP}

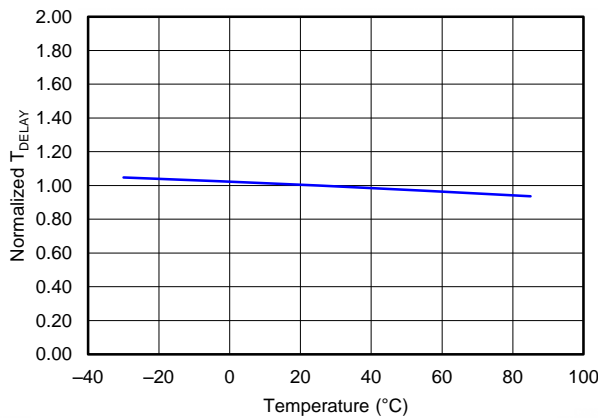


Figure 5. Normalized T_{DELAY}

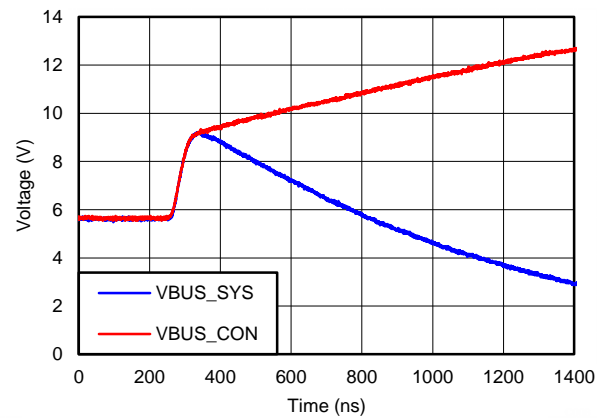


Figure 6. V_{OVP} Response Time

TYPICAL CHARACTERISTICS (continued)

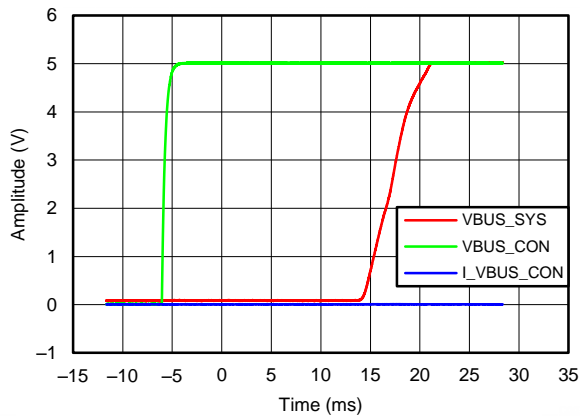


Figure 7. Power Up With 2.2 μ F on V_{BUS_SYS}

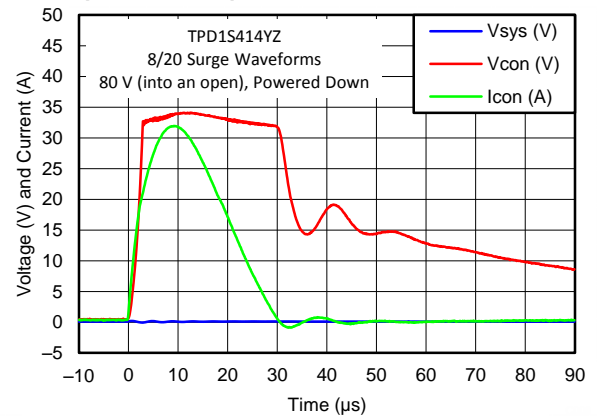


Figure 8. Response to a 100-V Surge

DEVICE INFORMATION

DEVICE OPERATION

The TPD1S414 provides a single-chip ESD protection, surge protection and over voltage protection solution for portable USB charging and Host interfaces. It offers over voltage protection at the V_{BUS_CON} pin up to 30 V. The TPD1S414 also provides a \overline{ACK} pin that indicates to the system if a fault condition has occurred. The TPD1S414 offers an ESD clamp and a Surge Clamp for V_{BUS_CON} pin, thus eliminating the need for external TVS clamp circuits in the application.

The TPD1S414 has an internal oscillator and charge pump that controls the turn-on of the internal nFET switch. The internal oscillator controls the timers that enable the charge pump and resets the open-drain \overline{ACK} output. If V_{BUS_CON} is less than V_{OVP} , the internal charge pump is enabled. After a 15 ms internal delay, the charge-pump starts-up, turns on the internal nFET switch through a soft start. Once the nFET is completely turned ON, TPD1S414 asserts \overline{ACK} pin LOW. At any time, if V_{BUS_CON} rises above V_{OVP} , the \overline{ACK} pin is in High-Z and is pulled HIGH through external resistors. The nFET switch is turned OFF.

OVP OPERATION

When the V_{BUS_CON} voltage rises above V_{OVP} , the internal nFET switch is turned OFF, removing power from the system. The response is rapid, with the FET switch turning off in less than 100 ns. The \overline{ACK} pin is set to High-Z when an overvoltage condition is detected and the nFET is turned OFF. This pin can be pulled up through external resistors to indicate a OVP condition. When the V_{BUS_CON} voltage returns below $V_{OVP} - V_{HYS-OVP}$, the nFET switch is turned on again after the internal delay of t_{OVP_Recov} . This delay time ensures that the V_{BUS_CON} supply has stabilized before turning the switch back on. After t_{OVP_Recov} , the TPD1S414 turns ON the nFET through a soft start to ensure that the USB Inrush current compliance is met. When the OVP condition is cleared and the nFET is completely turned ON, the \overline{ACK} is reset LOW.

TIMING DIAGRAMS

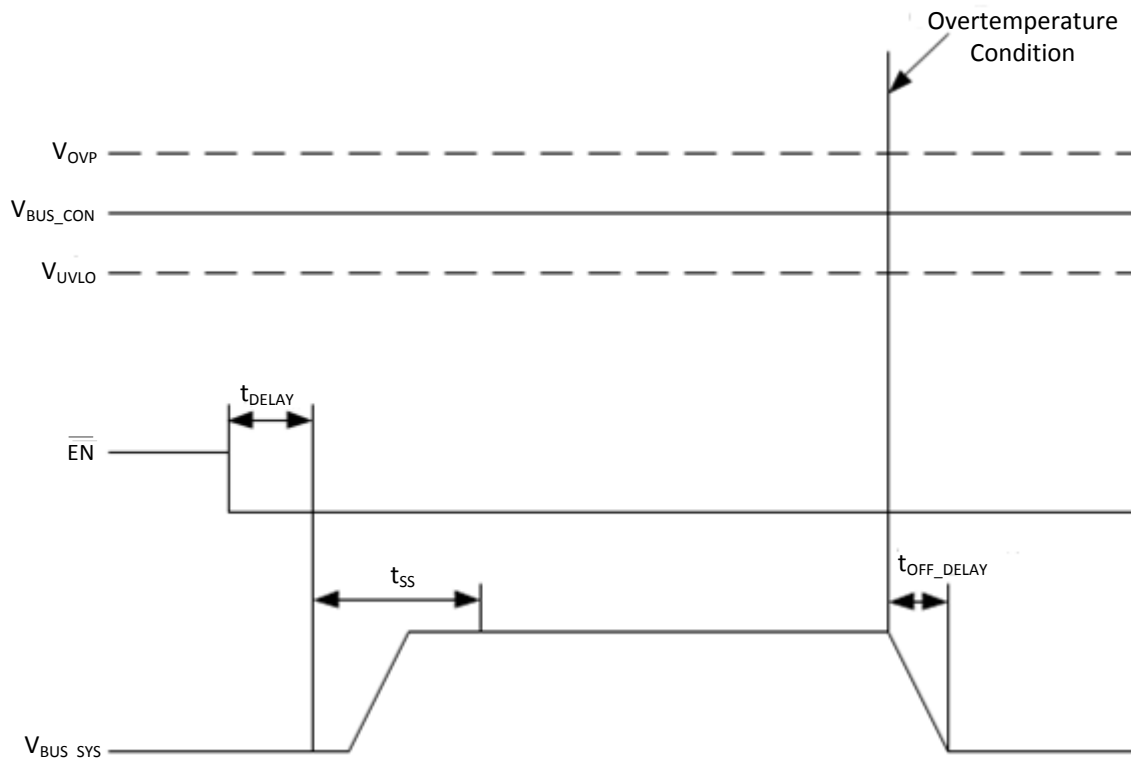


Figure 9. Thermal Shutdown Operation

APPLICATION INFORMATION

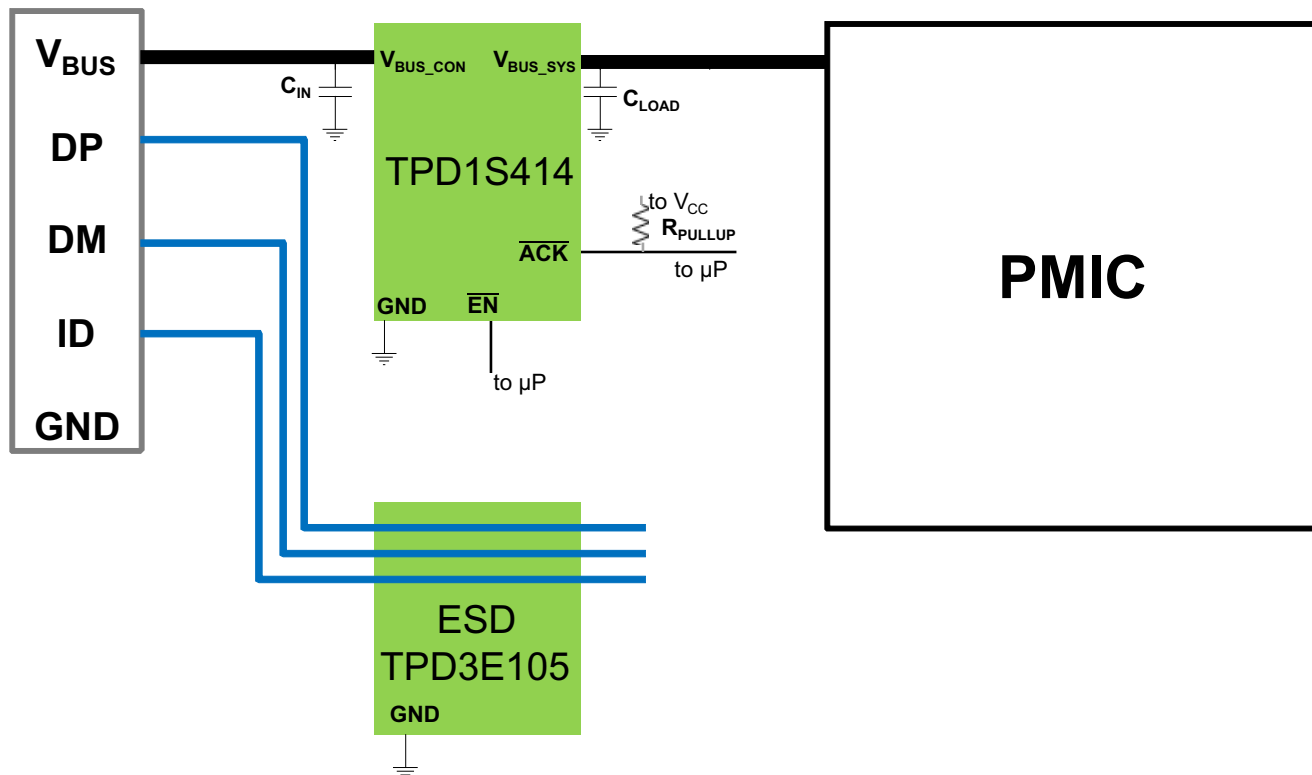


Figure 10. Typical Application Configuration for TPD1S414

The IEC 61000-4-5 standard specifies the lightning and industrial surge model. Power lines like the V_{BUS} line on the USB port is subject to switching and lightning transients. Power supply switching transients can enter the system due to capacitor bank switching on the rail, minor load switching on the system and various system faults like arcing to the grounding system of the installation. Direct lightning to the outer installations cause an over voltage condition on the V_{BUS} line. In the event of an over voltage condition, the OVP block of the Processor or the protection circuitry turns off isolating the system from these transients. Abruptly turning off the Load, causes a further ripple due to the inductive nature of the charging cable. End systems require protection against these transients. These transients have greater energy than the ESD events. Systems cannot be protected from these transients using simple ESD diodes. The TPD1S414 has a precision trigger and precision clamping circuit that ensures a DC tolerance of 30 V while suppressing surge voltage up to 100V under 35 V.

BOARD LAYOUT

TPD1S414 can be routed in a single layer PCB. PCB traces to V_{BUS_SYS} , V_{BUS_CON} , and GND can be routed in the fashion shown in [Figure 11](#).

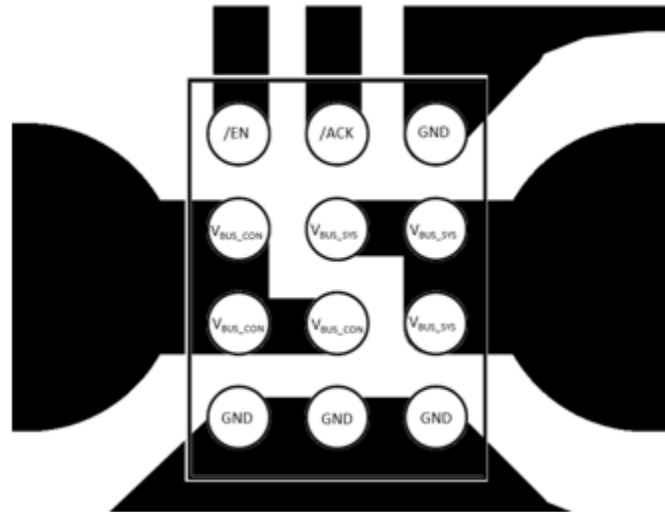


Figure 11. V_{BUS_SYS} , V_{BUS_CON} , and GND pins tied together

Tying V_{BUS_SYS} , V_{BUS_CON} , and GND pins respectively together provides lower resistance connectivity between the USB connector and the PMIC. For this example, the trace widths to V_{BUS_SYS} , V_{BUS_CON} are 25 mils (0.635 mm) under TPD1S414. There are no VIAs required within the SMD pads in this design. Stitching VIAs for GND can be placed near the component instead.

The decoupling capacitors per the recommended operating settings should be placed as close as possible to the TPD1S414. There should be a short path from the device ground pins to the system ground plane. This ensures best protection under ESD and surge transients.

REVISION HISTORY

Changes from Original (October 2013) to Revision A	Page
• 将说明中的文本从 : TPD1S414 在接通 nFET 前等待 15ms 更改为 : TPD1S414 在接通 nFET 前等待 20ms	1
• Deleted Peak input current on V_{BUS_CON} pin, I_{BUS} from the ABSOLUTE MAXIMUM RATINGS table	3
• Deleted Continuous forward current through the FET body diode, I_{DIODE} from the ABSOLUTE MAXIMUM RATINGS table	3
• Added Voltage on \overline{ACK} pin to the ABSOLUTE MAXIMUM RATINGS table	3
• Added values to the THERMAL INFORMATION table	3
• Added Continuous current on V_{BUS_CON} and V_{BUS_SYS} pins to the RECOMMENDED OPERATING CONDITIONS table	4
• Added Continuous forward current through the FET body diode, I_{DIODE} to the RECOMMENDED OPERATING CONDITIONS table	4
• Changed the I_{HOST_LEAK} MAX value From: 160 To: 200 μA in the SUPPLY CURRENT CONSUMPTION table	4
• Changed horizontal axis labeling on Figure 6	6
• Deleted graphs: Enabling the Load Switch, Connecting V_{BUS_CON} , and OVP Operation from the TIMING DIAGRAMS section	8
• Changed Figure 10	9
• Added text to the APPLICATION INFORMATION section	9

PACKAGING INFORMATION

Orderable Device	Status (1)	Package Type	Package Drawing	Pins	Package Qty	Eco Plan (2)	Lead finish/ Ball material (6)	MSL Peak Temp (3)	Op Temp (°C)	Device Marking (4/5)	Samples
TPD1S414YZR	ACTIVE	DSBGA	YZ	12	3000	RoHS & Green	SNAGCU	Level-1-260C-UNLIM	-40 to 85	RH414	Samples

(1) The marketing status values are defined as follows:

ACTIVE: Product device recommended for new designs.

LIFEBUY: TI has announced that the device will be discontinued, and a lifetime-buy period is in effect.

NRND: Not recommended for new designs. Device is in production to support existing customers, but TI does not recommend using this part in a new design.

PREVIEW: Device has been announced but is not in production. Samples may or may not be available.

OBSELETE: TI has discontinued the production of the device.

(2) **RoHS:** TI defines "RoHS" to mean semiconductor products that are compliant with the current EU RoHS requirements for all 10 RoHS substances, including the requirement that RoHS substance do not exceed 0.1% by weight in homogeneous materials. Where designed to be soldered at high temperatures, "RoHS" products are suitable for use in specified lead-free processes. TI may reference these types of products as "Pb-Free".

RoHS Exempt: TI defines "RoHS Exempt" to mean products that contain lead but are compliant with EU RoHS pursuant to a specific EU RoHS exemption.

Green: TI defines "Green" to mean the content of Chlorine (Cl) and Bromine (Br) based flame retardants meet JS709B low halogen requirements of <=1000ppm threshold. Antimony trioxide based flame retardants must also meet the <=1000ppm threshold requirement.

(3) MSL, Peak Temp. - The Moisture Sensitivity Level rating according to the JEDEC industry standard classifications, and peak solder temperature.

(4) There may be additional marking, which relates to the logo, the lot trace code information, or the environmental category on the device.

(5) Multiple Device Markings will be inside parentheses. Only one Device Marking contained in parentheses and separated by a "-" will appear on a device. If a line is indented then it is a continuation of the previous line and the two combined represent the entire Device Marking for that device.

(6) Lead finish/Ball material - Orderable Devices may have multiple material finish options. Finish options are separated by a vertical ruled line. Lead finish/Ball material values may wrap to two lines if the finish value exceeds the maximum column width.

Important Information and Disclaimer:The information provided on this page represents TI's knowledge and belief as of the date that it is provided. TI bases its knowledge and belief on information provided by third parties, and makes no representation or warranty as to the accuracy of such information. Efforts are underway to better integrate information from third parties. TI has taken and continues to take reasonable steps to provide representative and accurate information but may not have conducted destructive testing or chemical analysis on incoming materials and chemicals. TI and TI suppliers consider certain information to be proprietary, and thus CAS numbers and other limited information may not be available for release.

In no event shall TI's liability arising out of such information exceed the total purchase price of the TI part(s) at issue in this document sold by TI to Customer on an annual basis.

TAPE AND REEL INFORMATION



QUADRANT ASSIGNMENTS FOR PIN 1 ORIENTATION IN TAPE



*All dimensions are nominal

Device	Package Type	Package Drawing	Pins	SPQ	Reel Diameter (mm)	Reel Width W1 (mm)	A0 (mm)	B0 (mm)	K0 (mm)	P1 (mm)	W (mm)	Pin1 Quadrant
TPD1S414YZR	DSBGA	YZ	12	3000	180.0	8.4	1.5	1.99	0.75	4.0	8.0	Q2
TPD1S414YZR	DSBGA	YZ	12	3000	178.0	9.2	1.49	1.99	0.75	4.0	8.0	Q2

TAPE AND REEL BOX DIMENSIONS



*All dimensions are nominal

Device	Package Type	Package Drawing	Pins	SPQ	Length (mm)	Width (mm)	Height (mm)
TPD1S414YZR	DSBGA	YZ	12	3000	182.0	182.0	20.0
TPD1S414YZR	DSBGA	YZ	12	3000	220.0	220.0	35.0

重要声明和免责声明

TI 均以“原样”提供技术性及其可靠性数据（包括数据表）、设计资源（包括参考设计）、应用或其他设计建议、网络工具、安全信息和其他资源，不保证其中不含任何瑕疵，且不做任何明示或暗示的担保，包括但不限于对适销性、适合某特定用途或不侵犯任何第三方知识产权的暗示担保。

所述资源可供专业开发人员应用TI 产品进行设计使用。您将对以下行为独自承担全部责任：(1) 针对您的应用选择合适的TI 产品；(2) 设计、验证并测试您的应用；(3) 确保您的应用满足相应标准以及任何其他安全、安保或其他要求。所述资源如有变更，恕不另行通知。TI 对您使用所述资源的授权仅限于开发资源所涉及TI 产品的相关应用。除此之外不得复制或展示所述资源，也不提供其它TI 或任何第三方的知识产权授权许可。如因使用所述资源而产生任何索赔、赔偿、成本、损失及债务等，TI 对此概不负责，并且您须赔偿由此对TI 及其代表造成的损害。

TI 所提供产品均受TI 的销售条款 (<http://www.ti.com.cn/zh-cn/legal/termsofsale.html>) 以及ti.com.cn 上或随附TI 产品提供的其他可适用条款的约束。TI 提供所述资源并不扩展或以其他方式更改TI 针对TI 产品所发布的可适用的担保范围或担保免责声明。

邮寄地址：上海市浦东新区世纪大道 1568 号中建大厦 32 楼，邮政编码：200122

Copyright © 2020 德州仪器半导体技术（上海）有限公司