

## TPS6508700 PMIC for AMD™ Family 17h Models 10h-1Fh Processors

### 1 Device Overview

#### 1.1 Features

- Wide  $V_{IN}$  Range From 5.6 V to 21 V
- Three Variable-Output Voltage Synchronous Step-Down Controllers With DCAP2™ Topology
  - Scalable Output Current Using External FETs With Selectable Current Limit
  - I<sup>2</sup>C Dynamic Voltage Scaling (DVS) Control for BUCK2 and BUCK6, External Feedback for BUCK1
- Three Variable-Output Voltage Synchronous Step-Down Converters With DCS-Control Topology and I<sup>2</sup>C DVS Capabilities
  - $V_{IN}$  Range From 4.5 V to 5.5 V
  - $V_{OUT}$  Range From 0.425 V to 3.575 V
  - Up to 3 A of Output Current
- Three LDO Regulators With Adjustable Output Voltage
  - LDOA1: I<sup>2</sup>C-Selectable Output Voltage From 1.35 V to 3.3 V for up to 200 mA of Output Current
  - LDOA2 and LDOA3: I<sup>2</sup>C-Selectable Output Voltage From 0.7 V to 1.5 V for up to 600 mA of Output Current
- LDO With BUCK6 as Input Voltage
- Three Load Switches With Slew Rate Control
  - Up to 300 mA of Output Current With Voltage Drop Less Than 1.5% of Nominal Input Voltage
  - $R_{DS(ON)} < 96 \text{ m}\Omega$  at Input Voltage of 1.8 V
- 5-V Fixed-Output Voltage LDO (LDO5)
  - Power Supply for Gate Drivers of SMPS and for LDOA1
  - Automatic Switch to 5-V Buck for Higher Efficiency
- Built-in Sequencing by Factory OTP Programming
  - CTL1, CTL4, and CTL5 Used for G3', G3, S5, and S0 State Selection
  - GPO1 and GPO2 Used for PG\_S0 and PG\_S5
  - Open-Drain Interrupt Output Pin
- I<sup>2</sup>C Interface Supports:
  - Standard Mode (100 kHz)
  - Fast Mode (400 kHz)
  - Fast Mode Plus (1 MHz)

#### 1.2 Applications

- 2-, 3-, or 4-Series Cell Li-Ion Battery Powered Products (NVDC or Non-NVDC)
- Wall Powered Designs, particularly from 12V Supply
- Tablet, Ultrabook, and Notebook Computers
- Mobile PCs and Mobile Internet Devices

#### 1.3 Description

The TPS6508700 device is a single-chip power-management IC (PMIC) designed for the AMD™ Family 17h Models 10h-1Fh processors targeted for notebooks and all-in-one desktops. The TPS6508700 device offers an input range from 5.6 V to 21 V, enabling use in a wide range of applications. The device is well suited for NVDC and non-NVDC power architecture using 2S, 3S, or 4S Li-Ion battery packs. The DCAP2™ and DCS-Control™ high-frequency voltage regulators use small inductors and capacitors to achieve a small solution size. The DCAP2 and DCS-Control topologies have excellent transient response performance, which is optimal for processor core and system memory rails that have fast load switching. An I<sup>2</sup>C interface allows simple control either by an embedded controller (EC) or by a system on chip (SoC). The PMIC comes in an 8-mm × 8-mm, single-row VQFN package with thermal pad for good thermal dissipation and ease of board routing.

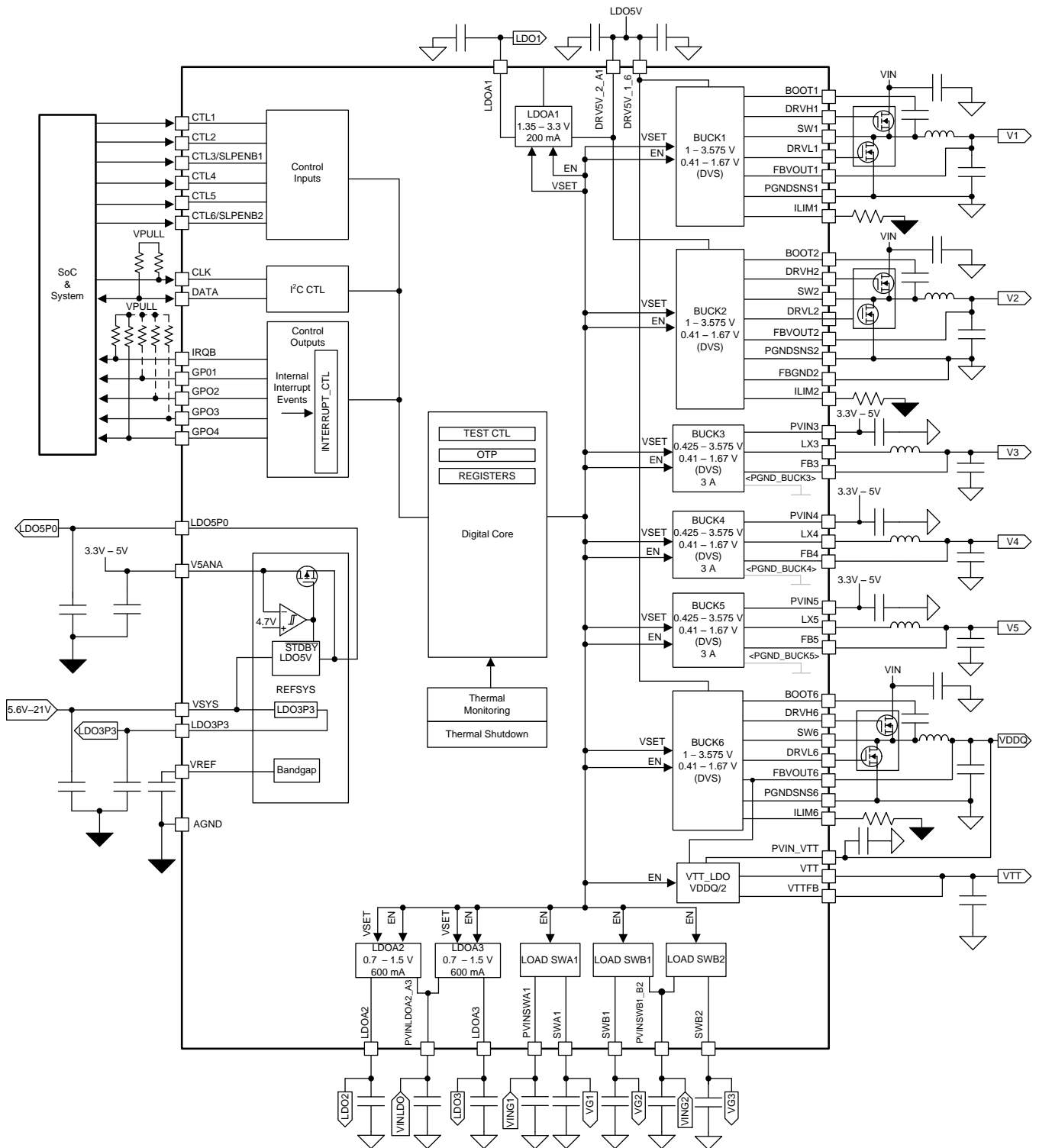
#### Device Information<sup>(1)</sup>

PART NUMBER	PACKAGE	BODY SIZE (NOM)
TPS6508700	VQFN (64)	8.00 mm × 8.00 mm

(1) For more information, see the [Mechanical Packaging and Orderable Information](#) section.



### 1.4 Functional Block Diagram



Copyright © 2017, Texas Instruments Incorporated

Figure 1-1. PMIC Functional Block Diagram

## Table of Contents

<b>1 Device Overview</b> .....	<b><a href="#">1</a></b>	4.16 Typical Characteristics .....	<b><a href="#">17</a></b>
1.1 Features .....	<a href="#">1</a>	<b>5 Detailed Description</b> .....	<b><a href="#">18</a></b>
1.2 Applications .....	<a href="#">1</a>	5.1 Overview .....	<a href="#">18</a>
1.3 Description .....	<a href="#">1</a>	5.2 Functional Block Diagram .....	<a href="#">19</a>
1.4 Functional Block Diagram .....	<a href="#">2</a>	5.3 SMPS Voltage Regulators .....	<a href="#">20</a>
<b>2 Revision History</b> .....	<b><a href="#">3</a></b>	5.4 LDO Regulators and Load Switches .....	<a href="#">26</a>
<b>3 Pin Configuration and Functions</b> .....	<b><a href="#">4</a></b>	5.5 Power Good Information (PGOOD or PG) and GPO Pins .....	<a href="#">27</a>
3.1 Pin Functions .....	<a href="#">4</a>	5.6 Power Sequencing and Voltage-Rail Control .....	<a href="#">29</a>
<b>4 Specifications</b> .....	<b><a href="#">7</a></b>	5.7 Device Functional Modes .....	<a href="#">31</a>
4.1 Absolute Maximum Ratings .....	<a href="#">7</a>	5.8 I <sup>2</sup> C Interface .....	<a href="#">32</a>
4.2 ESD Ratings .....	<a href="#">7</a>	5.9 Register Maps .....	<a href="#">35</a>
4.3 Recommended Operating Conditions .....	<a href="#">8</a>	<b>6 Applications, Implementation, and Layout</b> .....	<b><a href="#">82</a></b>
4.4 Thermal Information .....	<a href="#">8</a>	6.1 Application Information .....	<a href="#">82</a>
4.5 Electrical Characteristics: Total Current Consumption .....	<a href="#">8</a>	6.2 Typical Application .....	<a href="#">82</a>
4.6 Electrical Characteristics: Reference and Monitoring System .....	<a href="#">9</a>	6.3 Power Supply Coupling and Bulk Capacitors .....	<a href="#">91</a>
4.7 Electrical Characteristics: Buck Controllers .....	<a href="#">10</a>	6.4 Do's and Don'ts .....	<a href="#">91</a>
4.8 Electrical Characteristics: Synchronous Buck Converters .....	<a href="#">11</a>	<b>7 Device and Documentation Support</b> .....	<b><a href="#">92</a></b>
4.9 Electrical Characteristics: LDOs .....	<a href="#">12</a>	7.1 Device Support .....	<a href="#">92</a>
4.10 Electrical Characteristics: Load Switches .....	<a href="#">14</a>	7.2 Documentation Support .....	<a href="#">92</a>
4.11 Digital Signals: I <sup>2</sup> C Interface .....	<a href="#">15</a>	7.3 Receiving Notification of Documentation Updates ..	<a href="#">92</a>
4.12 Digital Input Signals (CTLx) .....	<a href="#">15</a>	7.4 Community Resources .....	<a href="#">92</a>
4.13 Digital Output Signals (IRQB, GPOx) .....	<a href="#">15</a>	7.5 Trademarks .....	<a href="#">92</a>
4.14 Timing Requirements .....	<a href="#">15</a>	7.6 Electrostatic Discharge Caution .....	<a href="#">92</a>
4.15 Switching Characteristics .....	<a href="#">16</a>	7.7 Glossary .....	<a href="#">92</a>
		<b>8 Mechanical, Packaging, and Orderable Information</b> .....	<b><a href="#">92</a></b>

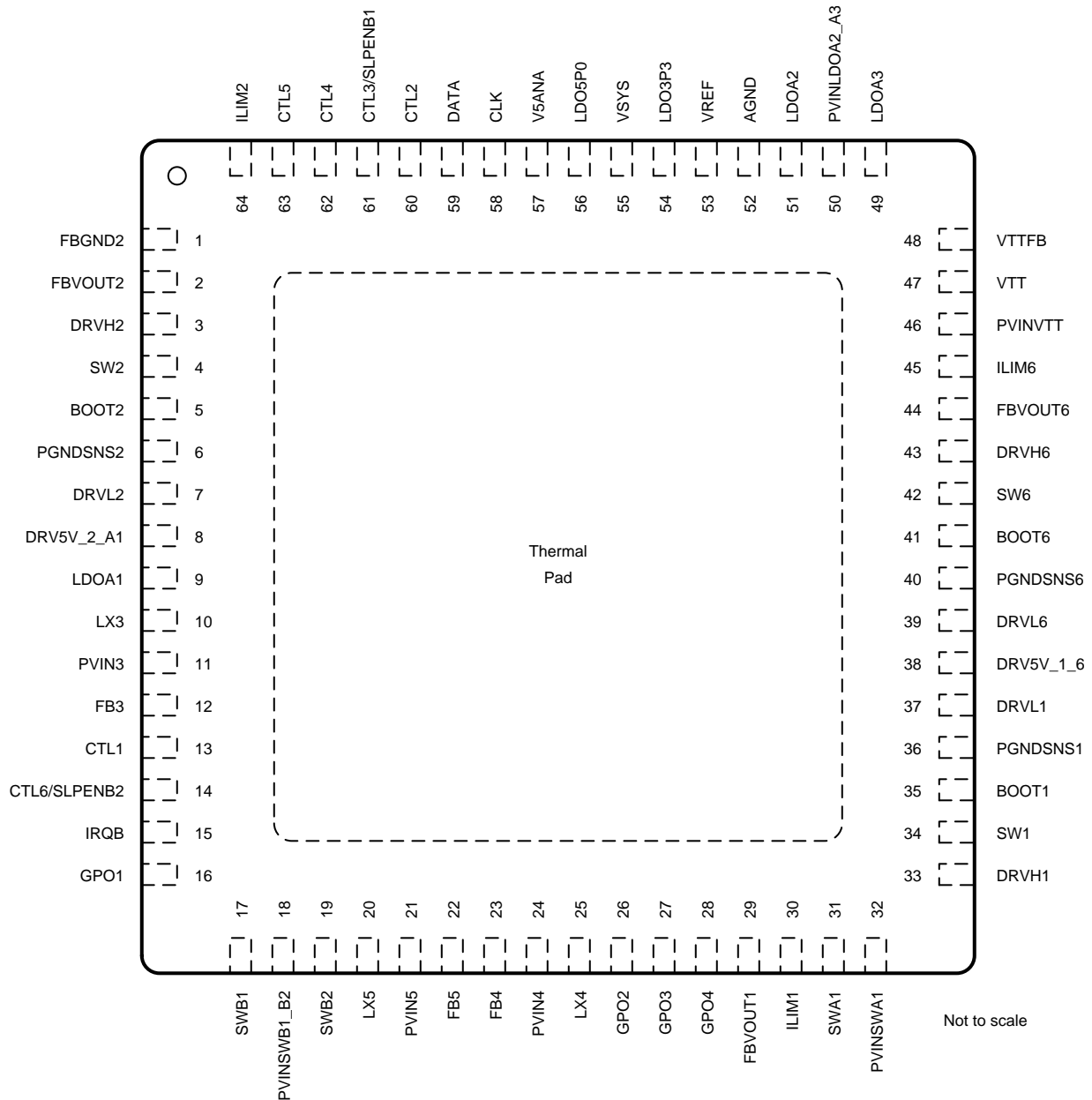
## 2 Revision History

NOTE: Page numbers for previous revisions may differ from page numbers in the current version.

DATE	REVISION	NOTES
October 2017	*	Initial Release

### 3 Pin Configuration and Functions

Figure 3-1 shows the 64-pin RSK plastic quad-flatpack no-lead package with exposed thermal pad.



The thermal pad must be connected to the system power ground plane.

Figure 3-1. 64-pin RSK VQFN (Top View)

#### 3.1 Pin Functions

##### Pin Functions

PIN		I/O	DESCRIPTION
NO.	NAME		
<b>SMPS REGULATORS</b>			
1	FBGND2	I	Remote negative feedback sense for BUCK2 controller. Connect to negative terminal of output capacitor or input capacitor of load.

**Pin Functions (continued)**

PIN		I/O	DESCRIPTION
NO.	NAME		
2	FBVOUT2	I	Remote positive feedback sense for BUCK2 controller. Connect to positive terminal of output capacitor or input capacitor of load.
3	DRVH2	O	High-side gate driver output for BUCK2 controller.
4	SW2	I	Switch node connection for BUCK2 controller.
5	BOOT2	I	Bootstrap pin for BUCK2 controller. Connect a 100-nF ceramic capacitor between this pin and SW2 pin.
6	PGNDSNS2	I	Power GND sense connection for BUCK2. Connect to ground terminal of external low-side FET.
7	DRVL2	O	Low-side gate driver output for BUCK2 controller.
8	DRV5V_2_A1	I	5-V supply to BUCK2 gate driver and LDOA1. Bypass to ground with a 2.2- $\mu$ F (typical) ceramic capacitor. Shorted on board to LDO5P0 pin.
10	LX3	O	Switch node connection for BUCK3 converter.
11	PVIN3	I	Power input to BUCK3 converter. Bypass to ground with a 10- $\mu$ F (typical) ceramic capacitor.
12	FB3	I	Remote feedback sense for BUCK3 converter. Connect to positive terminal of output capacitor.
20	LX5	O	Switch node connection for BUCK5 converter.
21	PVIN5	I	Power input to BUCK5 converter. Bypass to ground with a 10- $\mu$ F (typical) ceramic capacitor.
22	FB5	I	Remote feedback sense for BUCK5 converter. Connect to positive terminal of output capacitor.
23	FB4	I	Remote feedback sense for BUCK4 converter. Connect to positive terminal of output capacitor.
24	PVIN4	I	Power input to BUCK4 converter. Bypass to ground with a 10- $\mu$ F (typical) ceramic capacitor.
25	LX4	O	Switch node connection for BUCK4 converter.
29	FBVOUT1	I	Remote feedback sense for BUCK1 controller. Connect to external feedback near either output capacitor or input capacitor of load. Recommend a 4.7-pF feedforward capacitor.
30	ILIM1	I	Current limit set pin for BUCK1 controller. Fit a resistor from this pin to ground to set current limit of external low-side FET.
33	DRVH1	O	High-side gate driver output for BUCK1 controller.
34	SW1	I	Switch node connection for BUCK1 controller.
35	BOOT1	I	Bootstrap pin for BUCK1 controller. Connect a 100-nF ceramic capacitor between this pin and SW1 pin.
36	PGNDSNS1	I	Power GND sense connection for BUCK1. Connect to ground terminal of external low-side FET.
37	DRVL1	O	Low-side gate driver output for BUCK1 controller.
38	DRV5V_1_6	I	5-V supply to BUCK1 and BUCK6 gate drivers. Bypass to ground with a 2.2- $\mu$ F (typical) ceramic capacitor. Shorted on board to LDO5P0 pin.
39	DRVL6	O	Low-side gate driver output for BUCK6 controller.
40	PGNDSNS6	I	Power GND sense connection for BUCK6. Connect to ground terminal of external low-side FET.
41	BOOT6	I	Bootstrap pin for BUCK6 controller. Connect a 100-nF ceramic capacitor between this pin and SW6 pin.
42	SW6	I	Switch node connection for BUCK6 controller.
43	DRVH6	O	High-side gate driver output for BUCK6 controller.
44	FBVOUT6	I	Remote feedback sense for BUCK6 controller. Connect to positive terminal of output capacitor or input capacitor of load.
45	ILIM6	I	Current limit set pin for BUCK6 controller. Fit a resistor from this pin to ground to set current limit of external low-side FET.
64	ILIM2	I	Current limit set pin for BUCK2 controller. Fit a resistor from this pin to ground to set current limit of external low-side FET.
<b>LDO AND LOAD SWITCHES</b>			
9	LDOA1	O	LDOA1 output. Bypass to ground with a 4.7- $\mu$ F (typical) ceramic capacitor.
17	SWB1	O	Output of load switch B1. Bypass to ground with a 0.1- $\mu$ F (typical) ceramic capacitor. Leave floating when not in use.
18	PVINSWB1_B2	I	Power supply to load switch B1 and B2. Bypass to ground with a 1- $\mu$ F (typical) ceramic capacitor to improve transient performance. Connect to ground when not in use.
19	SWB2	O	Output of load switch B2. Bypass to ground with a 0.1- $\mu$ F (typical) ceramic capacitor. Leave floating when not in use.
31	SWA1	O	Output of load switch A1. Bypass to ground with a 0.1- $\mu$ F (typical) ceramic capacitor. Leave floating when not in use.

## Pin Functions (continued)

PIN		I/O	DESCRIPTION
NO.	NAME		
32	PVINSWA1	I	Power supply to load switch A1. Bypass to ground with a 1- $\mu$ F (typical) ceramic capacitor to improve transient performance. Connect to ground when not in use.
46	PVINVTT	I	Power supply to VTT LDO. Bypass to ground with a 10- $\mu$ F (minimum) ceramic capacitor. Connect to ground when not in use.
47	VTT	O	Output of load VTT LDO. Bypass to ground with 2 $\times$ 22- $\mu$ F (minimum) ceramic capacitors. Leave floating when not in use.
48	VTTFB	I	Remote feedback sense for VTT LDO. Connect to positive terminal of output capacitor. Leave floating when not in use.
49	LDOA3	O	Output of LDOA3. Bypass to ground with a 4.7- $\mu$ F (typical) ceramic capacitor. Leave floating when not in use.
50	PVINLDOA2_A3	I	Power supply to LDOA2 and LDOA3. Bypass to ground with a 4.7- $\mu$ F (typical) ceramic capacitor. Connect to ground when not in use.
51	LDOA2	O	Output of LDOA2. Bypass to ground with a 4.7- $\mu$ F (typical) ceramic capacitor. Leave floating when not in use.
54	LDO3P3	O	Output of 3.3-V internal LDO. Bypass to ground with a 4.7- $\mu$ F (typical) ceramic capacitor.
56	LDO5P0	O	Output of 5-V internal LDO or an internal switch that connects this pin to V5ANA. Bypass to ground with a 4.7- $\mu$ F (typical) ceramic capacitor.
57	V5ANA	I	External 5-V supply input to internal load switch that connects this pin to LDO5P0 pin. Bypass this pin with an optional ceramic capacitor to improve transient performance.
<b>INTERFACE</b>			
13	CTL1	I	Active-high enable pin for BUCK4, BUCK5, and BUCK6. Connect to AND of GPIO_G3 and EN_S5 for typical sequencing.
14	CTL6/SLPENB2	I	Active-high unused control signal. Sleep state control for BUCK6 (masked).
15	IRQB	O	Open-drain output interrupt pin. Refer to <a href="#">Section 5.9.3</a> for definitions.
16	GPO1	O	PG_S5 output indicates S5 power state has been reached. Open drain output, pull up to appropriate voltage rail.
26	GPO2	O	PG_S0 output indicates S0 power state has been reached. Open drain output, pull up to appropriate voltage rail.
27	GPO3	O	General purpose output that is configured to push-pull output at 3.3V and controlled by I <sup>2</sup> C. Default state is low.
28	GPO4	O	General purpose output that is configured to open-drain output and controlled by I <sup>2</sup> C. Default state is high.
58	CLK	I	I <sup>2</sup> C clock
59	DATA	I/O	I <sup>2</sup> C data
60	CTL2	I	Active-high LDOA2 and LDOA3 enable. Tie to GND unless using this pin to disable LDOA2 and LDOA3 after enabling them by I <sup>2</sup> C.
61	CTL3/SLPENB1	I	Active-high VTT LDO enable and sleep state control for BUCK1-BUCK5 (masked), LDOA2, and LDOA3.
62	CTL4	I	Active-high enable pin for BUCK1 and BUCK3. Connect to OR of CTL1 input and inverted GPIO_G3 for typical sequencing. SWA1, SWB1, and SWB2 can also use CTL4 if configured by I <sup>2</sup> C after boot.
63	CTL5	I	Active-high enable pin for BUCK2. Connect to EN_S0 for typical sequencing.
<b>REFERENCE</b>			
53	VREF	O	Band-gap reference output. Stabilize it by connecting a 100-nF (typical) ceramic capacitor between this pin and quiet ground.
52	AGND	—	Analog ground. Do not connect to the thermal pad ground on top layer. Connect to ground of VREF capacitor.
55	VSYS	I	System voltage detection and input to internal LDOs (3.3 V and 5 V). Bypass to ground with a 1- $\mu$ F (typical) ceramic capacitor.
<b>THERMAL PAD</b>			
—	Thermal pad	—	Connect to PCB ground plane using multiple vias for good thermal and electrical performance.

## 4 Specifications

### 4.1 Absolute Maximum Ratings

over operating free-air temperature range (unless otherwise noted)<sup>(1)</sup>

	MIN	MAX	UNIT
<b>ANALOG</b>			
Input voltage from battery, V <sub>SYS</sub>	-0.3	28	V
PVIN3, PVIN4, PVIN5, LDO5P0, DRV5V_1_6, DRV5V_2_A1, DRVL1, DRVL2, DRVL6	-0.3	7	V
V5ANA	-0.3	6	V
PGNDSNS1, PGNDSNS2, PGNDSNS6, AGND, FBGND2	-0.3	0.3	V
DRVH1, DRVH2, DRVH6, BOOT1, BOOT2, BOOT6	-0.3	34	V
SW1, SW2, SW6, transient for less than 5 ns.	-5	28	V
LX3, LX4, LX5	-0.3	7	V
LX3, LX4, LX5, transient for less than 20 ns.	-2	9	V
Differential voltage, BOOTx to SWx	-0.3	5.5	V
VREF, LDO3P3, FBVOUT1, FBVOUT2, FBVOUT6, FB3, FB4, FB5, ILIM1, ILIM2, ILIM6, PVINVT, VTT, VTTFB, PVINSWA1, SWA1, PVINSWB1_B2, SWB1, SWB2, LDOA1	-0.3	3.6	V
PVINLDOA2_A3, LDOA2, LDOA3	-0.3	3.3	V
<b>DIGITAL IO</b>			
DATA, CLK, GPO1-GPO3	-0.3	3.6	V
CTL1-CTL6, GPO4, IRQB	-0.3	7	V
<b>CHIP</b>			
Storage temperature, T <sub>stg</sub>	-40	150	°C

(1) Stresses beyond those listed under *Absolute Maximum Ratings* may cause permanent damage to the device. These are stress ratings only, and functional operation of the device at these or any other conditions beyond those indicated under *Recommended Operating Conditions* is not implied. Exposure to absolute-maximum-rated conditions for extended periods may affect device reliability.

### 4.2 ESD Ratings

			VALUE	UNIT
V <sub>(ESD)</sub>	Electrostatic discharge	Human-body model (HBM), per ANSI/ESDA/JEDEC JS-001 <sup>(1)</sup>	±1000	V
		Charged-device model (CDM), per JEDEC specification JESD22-C101 <sup>(2)</sup>	±250	

(1) JEDEC document JEP155 states that 500-V HBM allows safe manufacturing with a standard ESD control process.

(2) JEDEC document JEP157 states that 250-V CDM allows safe manufacturing with a standard ESD control process.

### 4.3 Recommended Operating Conditions

over operating free-air temperature range (unless otherwise noted)

	MIN	NOM	MAX	UNIT
<b>ANALOG</b>				
VSYS	5.6	13	21	V
VREF	-0.3		1.3	V
PVIN3, PVIN4, PVIN5, LDO5P0, V5ANA, DRV5V_1_6, DRV5V_2_A1	-0.3	5	5.5	V
PGNDSNS1, PGNDSNS2, PGNDSNS6, AGND, FBGND2	-0.3		0.3	V
DRVH1, DRVH2, DRVH6, BOOT1, BOOT2, BOOT6	-0.3		26.5	v
DRVL1, DRVL2, DRVL6	-0.3		5.5	V
SW1, SW2, SW6	-1		21	V
LX3, LX4, LX5	-1		5.5	V
FBVOUT1, FBVOUT2, FBVOUT6, FB3, FB4, FB5	-0.3		3.6	V
LDO3P3, ILIM1, ILIM2, ILIM6, LDOA1	-0.3		3.3	V
PVINVTT	-0.3		FBVOUT6	V
VTT, VTTFB	-0.3		FBVOUT6 / 2	V
PVINSWA1, SWA1	-0.3	3.3	3.6	V
PVINSWB1_B2, PVINLDOA2_A3, SWB1, SWB2	-0.3		1.8	V
LDOA2, LDOA3	-0.3		1.5	V
<b>DIGITAL IO</b>				
DATA, CLK, CTL1–CTL6, GPO1–GPO4, IRQB	-0.3		3.3	V
<b>CHIP</b>				
Operating ambient temperature, T <sub>A</sub>	-40	27	85	°C
Operating junction temperature, T <sub>J</sub>	-40	27	125	°C

### 4.4 Thermal Information

THERMAL METRIC <sup>(1)</sup>		TPS6508700	UNIT
		RSK (VQFN)	
		64 PINS	
R <sub>θJA</sub>	Junction-to-ambient thermal resistance	25.8	°C/W
R <sub>θJC(top)</sub>	Junction-to-case (top) thermal resistance	11.3	°C/W
R <sub>θJB</sub>	Junction-to-board thermal resistance	4.4	°C/W
ψ <sub>JT</sub>	Junction-to-top characterization parameter	0.2	°C/W
ψ <sub>JB</sub>	Junction-to-board characterization parameter	4.4	°C/W
R <sub>θJC(bot)</sub>	Junction-to-case (bottom) thermal resistance	0.7	°C/W

(1) For more information about traditional and new thermal metrics, see the [Semiconductor and IC Package Thermal Metrics](#) application report.

### 4.5 Electrical Characteristics: Total Current Consumption

over recommended free-air temperature range and over recommended input voltage range (typical values are at T<sub>A</sub> = 25°C) (unless otherwise noted)

PARAMETER	TEST CONDITIONS	MIN	TYP	MAX	UNIT
I <sub>SD</sub>	PMIC shutdown current that includes I <sub>Q</sub> for references, LDO5, LDO3P3, and digital core V <sub>SYS</sub> = 13 V, all functional output rails are disabled		65		μA



## 4.6 Electrical Characteristics: Reference and Monitoring System

over recommended free-air temperature range and over recommended input voltage range (typical values are at  $T_A = 25^\circ\text{C}$ ) (unless otherwise noted)

PARAMETER		TEST CONDITIONS	MIN	TYP	MAX	UNIT
<b>REFERENCE</b>						
$V_{REF}$	Band-gap reference voltage			1.25		V
	Band-gap reference voltage accuracy		-0.5%		0.5%	
$C_{VREF}$	Band-gap output capacitor		0.047	0.1	0.22	$\mu\text{F}$
$V_{SYS\_UV}$ $LO\_5V$	VSYS UVLO threshold for LDO5	$V_{SYS}$ falling	5.24	5.4	5.56	V
$V_{SYS\_UV}$ $LO\_5V\_H$ $YS$	VSYS UVLO threshold hysteresis for LDO5	$V_{SYS}$ rising above $V_{SYS\_UVLO\_5V}$		200		mV
$V_{SYS\_UV}$ $LO\_3V$	VSYS UVLO threshold for LDO3P3	$V_{SYS}$ falling	3.45	3.6	3.75	V
$V_{SYS\_UV}$ $LO\_3V\_H$ $YS$	VSYS UVLO threshold hysteresis for LDO3P3	$V_{SYS}$ rising above $V_{SYS\_UVLO\_3V}$		150		mV
$T_{CRIT}$	Critical threshold of die temperature	$T_J$ rising	130	145	160	$^\circ\text{C}$
$T_{CRIT\_H}$ $YS$	Hysteresis of $T_{CRIT}$	$T_J$ falling		10		$^\circ\text{C}$
$T_{HOT}$	Hot threshold of die temperature	$T_J$ rising	110	115	120	$^\circ\text{C}$
$T_{HOT\_HY}$ $S$	Hysteresis of $T_{HOT}$	$T_J$ falling		10		$^\circ\text{C}$
<b>LDO5</b>						
$V_{IN}$	Input voltage at $V_{SYS}$ pin		5.6	13	21	V
$V_{OUT}$	DC output voltage	$I_{OUT} = 10\text{ mA}$	4.9	5	5.1	V
$I_{OUT}$	DC output current			100	180	mA
$I_{OCP}$	Overcurrent protection	Measured with output shorted to ground	200			mA
$V_{TH\_PG}$	Power good assertion threshold in percentage of target $V_{OUT}$	$V_{OUT}$ rising		94%		
$V_{TH\_PG\_HYS}$	Power good deassertion hysteresis	$V_{OUT}$ rising or falling		4%		
$I_Q$	Quiescent current	$V_{IN} = 13\text{ V}$ , $I_{OUT} = 0\text{ A}$		20		$\mu\text{A}$
$C_{OUT}$	External output capacitance		2.7	4.7	10	$\mu\text{F}$
<b>V5ANA-to-LDO5P0 LOAD SWITCH</b>						
$R_{DSON}$	On resistance	$V_{IN} = 5\text{ V}$ , measured from V5ANA pin to LDO5P0 pin at $I_{OUT} = 200\text{ mA}$			1	$\Omega$
$V_{TH\_PG}$	Power good threshold for external 5-V supply	$V_{V5ANA}$ rising		4.7		V
$V_{TH\_HYS}$ $\_PG$	Power good threshold hysteresis for external 5-V supply	$V_{V5ANA}$ falling		100		mV
$I_{LKG}$	Leakage current	Switch disabled, $V_{V5ANA} = 5\text{ V}$ , $V_{LDO5} = 0\text{ V}$			10	$\mu\text{A}$
<b>LDO3P3</b>						
$V_{IN}$	Input voltage at $V_{SYS}$ pin		5.6	13	21	V
$V_{OUT}$	DC output voltage	$I_{OUT} = 10\text{ mA}$		3.3		V
	DC output voltage accuracy	$V_{IN} = 13\text{ V}$ , $I_{OUT} = 10\text{ mA}$	-3%		3%	
$I_{OUT}$	DC output current				40	mA
$I_{OCP}$	Overcurrent protection	Measured with output shorted to ground	70			mA
$V_{TH\_PG}$	Power good assertion threshold in percentage of target $V_{OUT}$	$V_{OUT}$ rising		92%		
$V_{TH\_PG\_HYS}$	Power good deassertion hysteresis	$V_{OUT}$ falling		3%		

## Electrical Characteristics: Reference and Monitoring System (continued)

over recommended free-air temperature range and over recommended input voltage range (typical values are at  $T_A = 25^\circ\text{C}$ ) (unless otherwise noted)

PARAMETER		TEST CONDITIONS	MIN	TYP	MAX	UNIT
$I_Q$	Quiescent current	$V_{IN} = 13\text{ V}$ , $I_{OUT} = 0\text{ A}$		20		$\mu\text{A}$
$C_{OUT}$	External output capacitance		2.2	4.7	10	$\mu\text{F}$

## 4.7 Electrical Characteristics: Buck Controllers

over recommended input voltage range,  $T_A = -40^\circ\text{C}$  to  $+85^\circ\text{C}$  and  $T_A = 25^\circ\text{C}$  for typical values (unless otherwise noted)

PARAMETER		TEST CONDITIONS	MIN	TYP	MAX	UNIT
<b>BUCK1</b>						
$V_{IN}$	Power input voltage for external HSD FET		5.6	13	21	V
$V_{FBVOU_{T1}}$	Internal reference regulation voltage	$T_A = 25^\circ\text{C}$	0.392	0.4	0.408	V
$I_{LIM\_LSD}$	Low-side output valley current limit accuracy (programmed by external resistor $R_{LIM}$ )		-15%		15%	
$I_{LIMREF}$	Source current out of ILIM1 pin	$T_A = 25^\circ\text{C}$	45	50	55	$\mu\text{A}$
$V_{LIM}$	Voltage at ILIM1 pin	$V_{LIM} = R_{LIM} \times I_{LIMREF}$	0.2		2.25	V
$V_{TH\_PG}$	Power good deassertion threshold in percentage of target $V_{FB}$	$V_{OUT}$ rising	105.5%	108%	110.5%	
		$V_{OUT}$ falling	89.5%	92%	94.5%	
$R_{DSON\_DRVH}$	Driver DRVH resistance	Source, $IDRVH = -50\text{ mA}$		3		$\Omega$
		Sink, $IDRVH = 50\text{ mA}$		2		$\Omega$
$R_{DSON\_DRVL}$	Driver DRVL resistance	Source, $IDRVL = -50\text{ mA}$		3		$\Omega$
		Sink, $IDRVL = 50\text{ mA}$		0.4		$\Omega$
$C_{BOOT}$	Bootstrap capacitance			100		nF
$R_{ON\_BOOT}$	Bootstrap switch ON resistance				20	$\Omega$
<b>BUCK2, BUCK6</b>						
$V_{IN}$	Power input voltage for external HSD FET		5.6	13	21	V
$V_{OUT}$	DC output voltage VID range and options	VID step size = 10 mV, BUCKx_VID[6:0] progresses from 0000001b to 1111111b	0.41		1.67	V
		VID step size = 25 mV, BUCKx_VID[6:0] progresses from 0000001b to 1111111b	1		3.575	V
	BUCK2 output voltage default	Set by BUCK2_VID[6:0], 10-mV step size selected		0.8		V
	BUCK6 output voltage default	Set by BUCK6_VID[6:0], 25-mV step size selected		3.3		V
	DC output voltage accuracy	$V_{OUT} = 1, 1.2, 1.35, 1.5, 1.8, 2.5, 3.3\text{ V}$ $I_{OUT} = 100\text{ mA to }7\text{ A}$	-2%		2%	
	Total output voltage accuracy (DC plus ripple) in DCM	$I_{OUT} = 10\text{ mA}$ , $V_{OUT} \leq 1\text{ V}$	-30		40	mV
$SR(V_{OUT})$	Output DVS slew rate	Step size = 10 mV	2.5	3.125		$\text{mV}/\mu\text{s}$
		Step size = 25 mV	5	6.25		
$I_{LIM\_LSD}$	Low-side output valley current limit accuracy (programmed by external resistor $R_{LIM}$ )		-15%		15%	
$I_{LIMREF}$	Source current out of ILIM1 pin	$T_A = 25^\circ\text{C}$	45	50	55	$\mu\text{A}$
$V_{LIM}$	Voltage at ILIM1 pin	$V_{LIM} = R_{LIM} \times I_{LIMREF}$	0.2		2.25	V
$\Delta V_{OUT}/\Delta V_{IN}$	Line regulation	$V_{OUT} = 1, 1.2, 1.35, 1.5, 1.8, 2.5, 3.3\text{ V}$ , $I_{OUT} = 7\text{ A}$	-0.5%		0.5%	

## Electrical Characteristics: Buck Controllers (continued)

over recommended input voltage range,  $T_A = -40^\circ\text{C}$  to  $+85^\circ\text{C}$  and  $T_A = 25^\circ\text{C}$  for typical values (unless otherwise noted)

PARAMETER		TEST CONDITIONS	MIN	TYP	MAX	UNIT
$\Delta V_{OUT}/\Delta I_{OUT}$	Load regulation	$V_{IN} = 13\text{ V}$ , $V_{OUT} = 1, 1.2, 1.35, 1.5, 1.8, 2.5, 3.3\text{ V}$ , $I_{OUT} = 0\text{ A}$ to $7\text{ A}$ , referenced to $V_{OUT}$ at $I_{OUT} = I_{OUT\_MAX}$	0%		1%	
$V_{TH\_PG}$	Power good deassertion threshold in percentage of target $V_{OUT}$	$V_{OUT}$ rising	105.5%	108%	110.5%	
		$V_{OUT}$ falling	89.5%	92%	94.5%	
$R_{DSON\_DRVH}$	Driver DRVH resistance	Source, $IDRVH = -50\text{ mA}$		3		$\Omega$
		Sink, $IDRVH = 50\text{ mA}$		2		$\Omega$
$R_{DSON\_DRVL}$	Driver DRVL resistance	Source, $IDRVL = -50\text{ mA}$		3		$\Omega$
		Sink, $IDRVL = 50\text{ mA}$		0.4		$\Omega$
$R_{DIS}$	Output auto-discharge resistance	BUCKx_DIS[1:0] = 01b		100		$\Omega$
		BUCKx_DIS[1:0] = 10b		200		$\Omega$
		BUCKx_DIS[1:0] = 11b		500		$\Omega$
$C_{BOOT}$	Bootstrap capacitance		100		nF	
$R_{ON\_BOOT}$	Bootstrap switch ON resistance			20		$\Omega$

## 4.8 Electrical Characteristics: Synchronous Buck Converters

over recommended input voltage range,  $T_A = -40^\circ\text{C}$  to  $+85^\circ\text{C}$  and  $T_A = 25^\circ\text{C}$  for typical values (unless otherwise noted)

PARAMETER		TEST CONDITIONS	MIN	TYP	MAX	UNIT	
<b>BUCK3, BUCK4, BUCK5</b>							
$V_{IN}$	Power input voltage		4.5	5	5.5	V	
$V_{OUT}$	DC output voltage VID range and options	VID step size = 25 mV, BUCKx_VID[6:0] progresses from 0000001b to 1111111b	0.425		3.575	V	
	BUCK3 output voltage default	Set by BUCK3_VID[6:0], 25-mV step size		1.8		V	
	BUCK4 output voltage default	Set by BUCK4_VID[6:0], 25-mV step size		0.8		V	
	BUCK5 output voltage default	Set by BUCK5_VID[6:0], 25-mV step size		1.8		V	
	DC output voltage accuracy		$V_{OUT} = 1, 1.2, 1.35, 1.5, 1.8, 2.5, 3.3\text{ V}$ , $I_{OUT} = 1.5\text{ A}$	-2%		2%	
			$V_{OUT} = 1, 1.2, 1.35, 1.5, 1.8, 2.5, 3.3\text{ V}$ , $I_{OUT} = 100\text{ mA}$	-2.5%		2.5%	
Total output voltage accuracy (DC plus ripple) in DCM		$I_{OUT} = 10\text{ mA}$ , $V_{OUT} \leq 1\text{ V}$	-30		40	mV	
$SR(V_{OUT})$	Output DVS slew rate		5	6.25		mV/ $\mu\text{s}$	
$I_{OUT}$	Continuous DC output current				3	A	
$I_{IND\_LIM}$	HSD FET current limit		4.3		7	A	
$I_Q$	Quiescent current	$V_{IN} = 5\text{ V}$ , $V_{OUT} = 1\text{ V}$		35		$\mu\text{A}$	
$\Delta V_{OUT}/\Delta V_{IN}$	Line regulation	$V_{OUT} = 1, 1.2, 1.35, 1.5, 1.8, 2.5, 3.3\text{ V}$ , $I_{OUT} = 1.5\text{ A}$	-0.5%		0.5%		
$\Delta V_{OUT}/\Delta I_{OUT}$	Load regulation	$V_{IN} = 5\text{ V}$ , $V_{OUT} = 1, 1.2, 1.35, 1.5, 1.8, 2.5, 3.3\text{ V}$ , $I_{OUT} = 0\text{ A}$ to $3\text{ A}$ , referenced to $V_{OUT}$ at $I_{OUT} = 1.5\text{ A}$	-0.2%		2%		
$V_{TH\_PG}$	Power good deassertion threshold in percentage of target $V_{OUT}$	$V_{OUT}$ rising		108%			
		$V_{OUT}$ falling		92%			
$V_{TH\_HYS\_PG}$	Power good reassertion hysteresis entering back into $V_{TH\_PG}$	$V_{OUT}$ rising or falling		3%			
$R_{DIS}$	Output auto-discharge resistance	BUCKx_DIS[1:0] = 01b		100		$\Omega$	
		BUCKx_DIS[1:0] = 10b		200			
		BUCKx_DIS[1:0] = 11b		500			

### 4.9 Electrical Characteristics: LDOs

over recommended input voltage range,  $T_A = -40^{\circ}\text{C}$  to  $+85^{\circ}\text{C}$  and  $T_A = 25^{\circ}\text{C}$  for typical values (unless otherwise noted)

PARAMETER		TEST CONDITIONS	MIN	TYP	MAX	UNIT	
<b>LDOA1</b>							
$V_{IN}$	Input voltage		4.5	5	5.5	V	
$V_{OUT}$	DC output voltage	Set by LDOA1_VID[3:0]		3.3			
	Accuracy	$I_{OUT} = 0$ to 200 mA	-2%		2%	V	
$I_{OUT}$	DC output current				200	mA	
$\frac{\Delta V_{OUT}}{\Delta V_{IN}}$	Line regulation	$I_{OUT} = 40$ mA	-0.5%		0.5%		
$\frac{\Delta V_{OUT}}{\Delta I_{OUT}}$	Load regulation	$I_{OUT} = 10$ mA to 200 mA	-2%		2%		
$I_{OCP}$	Overcurrent protection	$V_{IN} = 5$ V, Measured with output shorted to ground	500			mA	
$V_{TH\_PG}$	Power good deassertion threshold in percentage of target $V_{OUT}$	$V_{OUT}$ rising		108%			
		$V_{OUT}$ falling		92%			
$t_{STARTUP}$	Start-up time	Measured from EN = H to reach 95% of final value, $C_{OUT} = 4.7$ $\mu\text{F}$			500	$\mu\text{s}$	
$I_Q$	Quiescent current	$I_{OUT} = 0$ A		23		$\mu\text{A}$	
$C_{OUT}$	External output capacitance		2.7	4.7	10	$\mu\text{F}$	
	ESR				100	m $\Omega$	
$R_{DIS}$	Output auto-discharge resistance	LDOA1_DIS[1:0] = 01b		100		$\Omega$	
		LDOA1_DIS[1:0] = 10b		190		$\Omega$	
		LDOA1_DIS[1:0] = 11b		450		$\Omega$	
<b>LDOA2 and LDOA3</b>							
$V_{IN}$	Power input voltage			$V_{OUT} + V_{DROP(1)}$	1.8	1.98	V
$V_{OUT}$	LDOA2 DC output voltage	Set by LDOA2_VID[3:0]		1.5		V	
	LDOA3 DC output voltage	Set by LDOA3_VID[3:0]		1.2		V	
	DC output voltage accuracy	$I_{OUT} = 0$ to 600 mA	-2%		3%		
$I_{OUT}$	DC output current				600	mA	
$V_{DROP}$	Dropout voltage	$V_{OUT} = 0.99 \times V_{OUT\_NOM}$ , $I_{OUT} = 600$ mA			350	mV	
$\frac{\Delta V_{OUT}}{\Delta V_{IN}}$	Line regulation	$I_{OUT} = 300$ mA	-0.5%		0.5%		
$\frac{\Delta V_{OUT}}{\Delta I_{OUT}}$	Load regulation	$I_{OUT} = 10$ mA to 600 mA	-2%		2%		
$I_{OCP}$	Overcurrent protection	Measured with output shorted to ground	0.65	1.25		A	
$V_{TH\_PG}$	Power good assertion threshold in percentage of target $V_{OUT}$	$V_{OUT}$ rising		108%			
		$V_{OUT}$ falling		92%			
$t_{STARTUP}$	Start-up time	Measured from EN = H to reach 95% of final value, $C_{OUT} = 4.7$ $\mu\text{F}$			500	$\mu\text{s}$	
$I_Q$	Quiescent current	$I_{OUT} = 0$ A		20		$\mu\text{A}$	

(1) It must be equal to or greater than 1.62 V.

**Electrical Characteristics: LDOs (continued)**

over recommended input voltage range,  $T_A = -40^\circ\text{C}$  to  $+85^\circ\text{C}$  and  $T_A = 25^\circ\text{C}$  for typical values (unless otherwise noted)

PARAMETER		TEST CONDITIONS	MIN	TYP	MAX	UNIT
<b>LDOA2 and LDOA3 (continued)</b>						
PSRR	Power supply rejection ratio	$f = 1\text{ kHz}$ , $V_{IN} = 1.8\text{ V}$ , $V_{OUT} = 1.2\text{ V}$ , $I_{OUT} = 300\text{ mA}$ , $C_{OUT} = 2.2\text{ }\mu\text{F} - 4.7\text{ }\mu\text{F}$		48		dB
		$f = 10\text{ kHz}$ , $V_{IN} = 1.8\text{ V}$ , $V_{OUT} = 1.2\text{ V}$ , $I_{OUT} = 300\text{ mA}$ , $C_{OUT} = 2.2\text{ }\mu\text{F} - 4.7\text{ }\mu\text{F}$		30		dB
$C_{OUT}$	External output capacitance		2.2	4.7	10	$\mu\text{F}$
	ESR				100	$\text{m}\Omega$
$R_{DIS}$	Output auto-discharge resistance	LDOAx_DIS[1:0] = 01b		80		$\Omega$
		LDOAx_DIS[1:0] = 10b		180		
		LDOAx_DIS[1:0] = 11b		475		
<b>VTT LDO</b>						
$V_{IN}$	Power input voltage			1.2	3.3	V
$V_{OUT}$	DC output voltage	$V_{IN} = 1.2\text{ V}$ , Measured at VTTFB pin		$V_{IN} / 2$		V
	DC output voltage accuracy	Relative to $V_{IN} / 2$ , $I_{OUT} \leq 10\text{ mA}$ , $1.1\text{ V} \leq V_{IN} \leq 1.35\text{ V}$	-10		10	mV
		Relative to $V_{IN} / 2$ , $I_{OUT} \leq 500\text{ mA}$ , $1.1\text{ V} \leq V_{IN} \leq 1.35\text{ V}$	-25		25	
$I_{OUT}$	DC output current	sink(-) and source(+)	-500		500	mA
$\frac{\Delta V_{OUT}}{\Delta I_{OUT}}$	Load regulation	$1.1\text{ V} \leq V_{IN} \leq 1.35\text{ V}$ , $I_{OUT} = -500\text{ mA}$ to $500\text{ mA}$	-4%		4%	
$I_{OCP}$	Overcurrent protection	Measured with output shorted to ground	0.95			A
$V_{TH\_PG}$	Power good deassertion threshold in percentage of target $V_{OUT}$	$V_{OUT}$ rising		110%		
		$V_{OUT}$ falling		95%		
$V_{TH\_HYS\_PG}$	Power good reassertion hysteresis entering back into $V_{TH\_PG}$			5%		
$I_Q$	Total ground current	$V_{IN} = 1.2\text{ V}$ , $I_{OUT} = 0\text{ A}$			240	$\mu\text{A}$
$I_{LKG}$	OFF leakage current	$V_{IN} = 1.2\text{ V}$ , disabled			1	$\mu\text{A}$
$C_{IN}$	External input capacitance		10			$\mu\text{F}$
$C_{OUT}$	External output capacitance		35			$\mu\text{F}$
$R_{DIS}$	Output auto-discharge resistance	VTT_DIS = 0b	1000			$\text{k}\Omega$
		VTT_DIS = 1b	60	80	100	$\Omega$

### 4.10 Electrical Characteristics: Load Switches

over operating free-air temperature range (unless otherwise noted)

PARAMETER		TEST CONDITIONS	MIN	TYP	MAX	UNIT
<b>SWA1</b>						
$V_{IN}$	Input voltage range		0.5	1.5	3.3	V
$I_{OUT}$	DC output current				300	mA
$R_{DSON}$	ON resistance	$V_{IN} = 1.8\text{ V}$ , measured from PVINSWA1 pin to SWA1 pin at $I_{OUT} = I_{OUT,MAX}$		60	93	m $\Omega$
		$V_{IN} = 3.3\text{ V}$ , measured from PVINSWA1 pin to SWA1 pin at $I_{OUT} = I_{OUT,MAX}$		100	165	
$V_{TH\_PG}$	Power good deassertion threshold in percentage of target $V_{OUT}$	$V_{OUT}$ rising		108%		
		$V_{OUT}$ falling		92%		
$V_{TH\_HYS\_PG}$	Power good reassertion hysteresis entering back into $V_{TH\_PG}$	$V_{OUT}$ rising or falling		2%		
$I_{INRUSH}$	Inrush current upon turnon	$V_{IN} = 3.3\text{ V}$ , $C_{OUT} = 0.1\ \mu\text{F}$			10	mA
$I_Q$	Quiescent current	$V_{IN} = 3.3\text{ V}$ , $I_{OUT} = 0\text{ A}$		10.5		$\mu\text{A}$
		$V_{IN} = 1.8\text{ V}$ , $I_{OUT} = 0\text{ A}$		9		
$I_{LKG}$	Leakage current	Switch disabled, $V_{IN} = 1.8\text{ V}$		7	370	nA
		Switch disabled, $V_{IN} = 3.3\text{ V}$		10	900	
$C_{OUT}$	External output capacitance			0.1		$\mu\text{F}$
$R_{DIS}$	Output auto-discharge resistance	SWA1_DIS[1:0] = 01		100		$\Omega$
		SWA1_DIS[1:0] = 10		200		
		SWA1_DIS[1:0] = 11		500		
<b>SWB1, SWB2</b>						
$V_{IN}$	Input voltage range		0.5	1.5	3.3	V
$I_{OUT}$	DC current per channel				400	mA
$R_{DSON}$	ON resistance per channel	$V_{IN} = 1.8\text{ V}$ , measured from PVINSWB1_B2 pin to SWB1/SWB2 pin at $I_{OUT} = I_{OUT,MAX}$		68	92	m $\Omega$
		$V_{IN} = 3.3\text{ V}$ , measured from PVINSWB1_B2 pin to SWB1/SWB2 pin at $I_{OUT} = I_{OUT,MAX}$		75	125	m $\Omega$
$V_{TH\_PG}$	Power good deassertion threshold in percentage of target $V_{OUT}$	$V_{OUT}$ rising		108%		
		$V_{OUT}$ falling		92%		
$V_{TH\_HYS\_PG}$	Power good reassertion hysteresis entering back into $V_{TH\_PG}$	$V_{OUT}$ rising or falling		2%		
$I_{INRUSH}$	Inrush current upon turning on	$V_{IN} = 3.3\text{ V}$ , $C_{OUT} = 0.1\ \mu\text{F}$			10	mA
$I_Q$	Quiescent current	$V_{IN} = 3.3\text{ V}$ , $I_{OUT} = 0\text{ A}$		10.5		$\mu\text{A}$
		$V_{IN} = 1.8\text{ V}$ , $I_{OUT} = 0\text{ A}$		9		
$I_{LKG}$	Leakage current	Switch disabled, $V_{IN} = 1.8\text{ V}$		7	460	nA
		Switch disabled, $V_{IN} = 3.3\text{ V}$		10	1150	
$C_{OUT}$	External output capacitance			0.1		$\mu\text{F}$
$R_{DIS}$	Output auto-discharge resistance	SWBx_DIS[1:0] = 01		100		$\Omega$
		SWBx_DIS[1:0] = 10		200		
		SWBx_DIS[1:0] = 11		500		

#### 4.11 Digital Signals: I<sup>2</sup>C Interface

over recommended free-air temperature range and over recommended input voltage range (typical values are at T<sub>A</sub> = 25°C) (unless otherwise noted)

PARAMETER		TEST CONDITIONS	MIN	TYP	MAX	UNIT
V <sub>OL</sub>	Low-level output voltage	V <sub>PULL_UP</sub> = 1.8 V			0.4	V
V <sub>IH</sub>	High-level input voltage		1.2			V
V <sub>IL</sub>	Low-level input voltage				0.4	V
I <sub>LKG</sub>	Leakage current	V <sub>PULL_UP</sub> = 1.8 V		0.01	0.3	μA
R <sub>PULL-UP</sub>	Pullup resistance	Standard mode			8.5	kΩ
		Fast mode			2.5	
		Fast mode plus			1	
C <sub>OUT</sub>	Total load capacitance per pin				50	pF

#### 4.12 Digital Input Signals (CTLx)

over recommended free-air temperature range and over recommended input voltage range (typical values are at T<sub>A</sub> = 25°C) (unless otherwise noted)

PARAMETER		TEST CONDITIONS	MIN	TYP	MAX	UNIT
V <sub>IH</sub>	High-level input voltage		0.85			V
V <sub>IL</sub>	Low-level input voltage				0.4	V

#### 4.13 Digital Output Signals (IRQB, GPOx)

over recommended free-air temperature range and over recommended input voltage range (typical values are at T<sub>A</sub> = 25°C) (unless otherwise noted)

PARAMETER		TEST CONDITIONS	MIN	TYP	MAX	UNIT
V <sub>OL</sub>	Low-level output voltage	I <sub>OL</sub> < 2 mA			0.4	V
I <sub>LKG</sub>	Leakage current	V <sub>PULL_UP</sub> = 1.8 V			0.35	μA

#### 4.14 Timing Requirements

over recommended free-air temperature range and over recommended input voltage range (typical values are at T<sub>A</sub> = 25°C) (unless otherwise noted)

		MIN	NOM	MAX	UNIT
<b>I<sup>2</sup>C INTERFACE</b>					
f <sub>CLK</sub>	Clock frequency (standard mode)			100	kHz
	Clock frequency (fast mode)			400	kHz
	Clock frequency (fast mode plus)			1000	kHz
t <sub>r</sub>	Rise time (standard mode)			1000	ns
	Rise time (fast mode)			300	ns
	Rise time (fast mode plus)			120	ns
t <sub>f</sub>	Rise time (standard mode)			300	ns
	Rise time (fast mode)			300	ns
	Rise time (fast mode plus)			120	ns

## 4.15 Switching Characteristics

over operating free-air temperature range and over recommended input voltage range (typical values are at  $T_A = 25^\circ\text{C}$ ) (unless otherwise noted)

PARAMETER		TEST CONDITIONS	MIN	TYP	MAX	UNIT
<b>BUCK CONTROLLERS</b>						
$t_{PG}$	Total turnon time	Measured from enable going high to when output reaches 90% of target value.		550	850	$\mu\text{s}$
$T_{ON,MIN}$	Minimum on-time of DRVH			50		ns
$T_{DEAD}$	Driver dead-time	DRVH off to DRVL on		15		ns
		DRVL off to DRVH on		30		ns
$f_{SW}$	Switching frequency	Continuous-conduction mode, $V_{IN} = 13\text{ V}$ , $V_{OUT} \geq 1\text{ V}$		1000		kHz
<b>BUCK CONVERTERS</b>						
$t_{PG}$	Total turnon time	Measured from enable going high to when output reaches 90% of target value.		250	1000	$\mu\text{s}$
$f_{SW}$	Switching frequency	Continuous-conduction mode, $V_{OUT} = 1\text{ V}$ , $I_{OUT} = 1\text{ A}$		1.6		MHz
		Continuous-conduction mode, $V_{OUT} = 1.05\text{ V}$ , $I_{OUT} = 1\text{ A}$		1.7		MHz
		Continuous-conduction mode, $V_{OUT} = 1.24\text{ V}$ , $I_{OUT} = 1\text{ A}$		1.9		MHz
		Continuous-conduction mode, $V_{OUT} = 1.35\text{ V}$ , $I_{OUT} = 1\text{ A}$		2		MHz
		Continuous-conduction mode, $V_{OUT} = 1.8\text{ V}$ , $I_{OUT} = 1\text{ A}$		2.5		MHz
<b>LDOx</b>						
$t_{STARTUP}$	Start-up time	Measured from enable going high to when output reaches 95% of final value, $V_{OUT} = 1.2\text{ V}$ , $C_{OUT} = 4.7\text{ }\mu\text{F}$		180		$\mu\text{s}$
<b>VTT LDO</b>						
$t_{STARTUP}$	Start-up time	Measured from enable going high to PG assertion, $V_{OUT} = 0.675\text{ V}$ , $C_{OUT} = 40\text{ }\mu\text{F}$		22		$\mu\text{s}$
<b>SWA1</b>						
$t_{TURN-ON}$	Turnon time	Measured from enable going high to reach 95% of final value, $V_{IN} = 3.3\text{ V}$ , $C_{OUT} = 0.1\text{ }\mu\text{F}$		0.85		ms
		Measured from enable going high to reach 95% of final value, $V_{IN} = 1.8\text{ V}$ , $C_{OUT} = 0.1\text{ }\mu\text{F}$		0.63		ms
<b>SWB1_2</b>						
$t_{TURN-ON}$	Turnon time	Measured from enable going high to reach 95% of final value, $V_{IN} = 3.3\text{ V}$ , $C_{OUT} = 0.1\text{ }\mu\text{F}$		1.1		ms
		Measured from enable going high to reach 95% of final value, $V_{IN} = 1.8\text{ V}$ , $C_{OUT} = 0.1\text{ }\mu\text{F}$		0.82		ms



### 4.16 Typical Characteristics

Measurements done at 25°C.

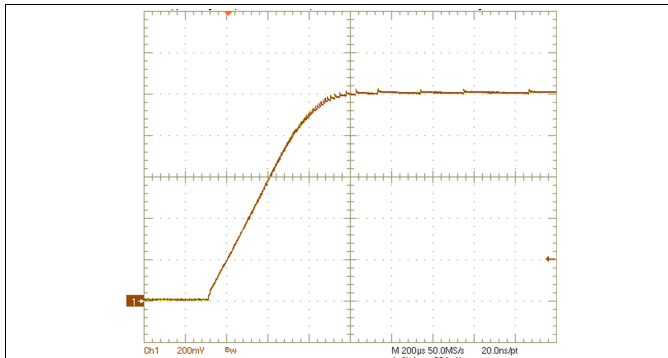


Figure 4-1. BUCK2 Controller Start Up to 1 V by I<sup>2</sup>C

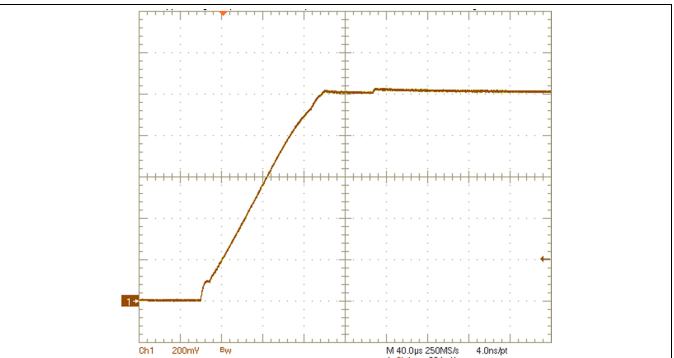


Figure 4-2. Converter Start Up to 1 V by I<sup>2</sup>C

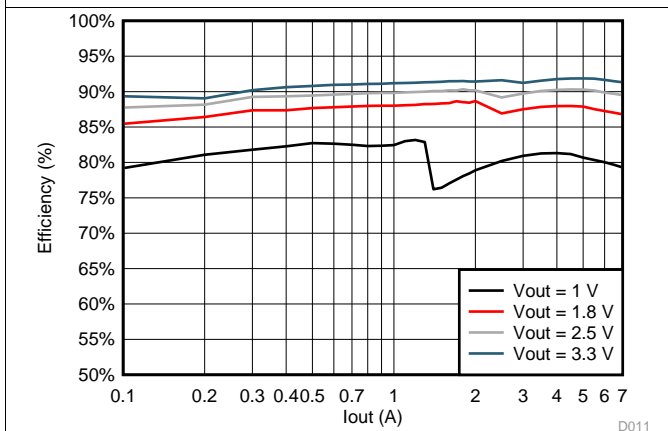


Figure 4-3. BUCK6 Efficiency at  $V_{IN} = 13\text{ V}$

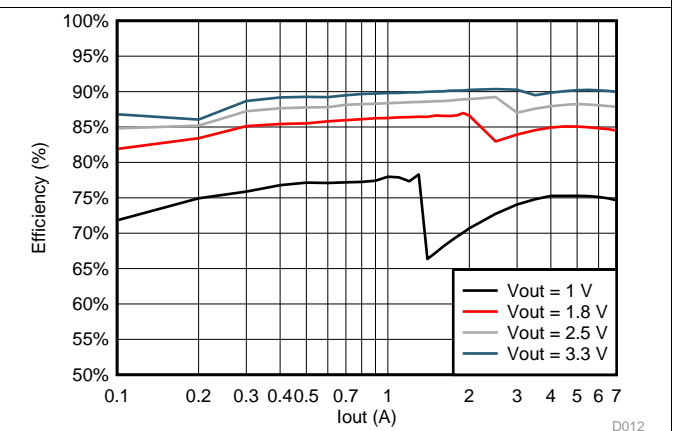


Figure 4-4. BUCK6 Efficiency at  $V_{IN} = 18\text{ V}$

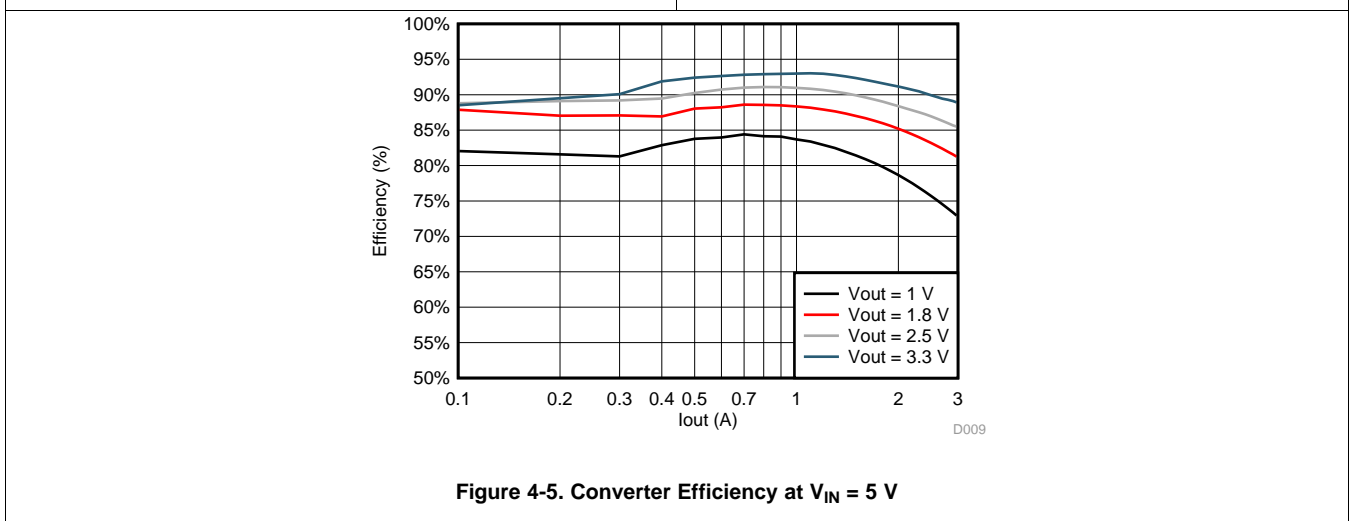


Figure 4-5. Converter Efficiency at  $V_{IN} = 5\text{ V}$

## 5 Detailed Description

### 5.1 Overview

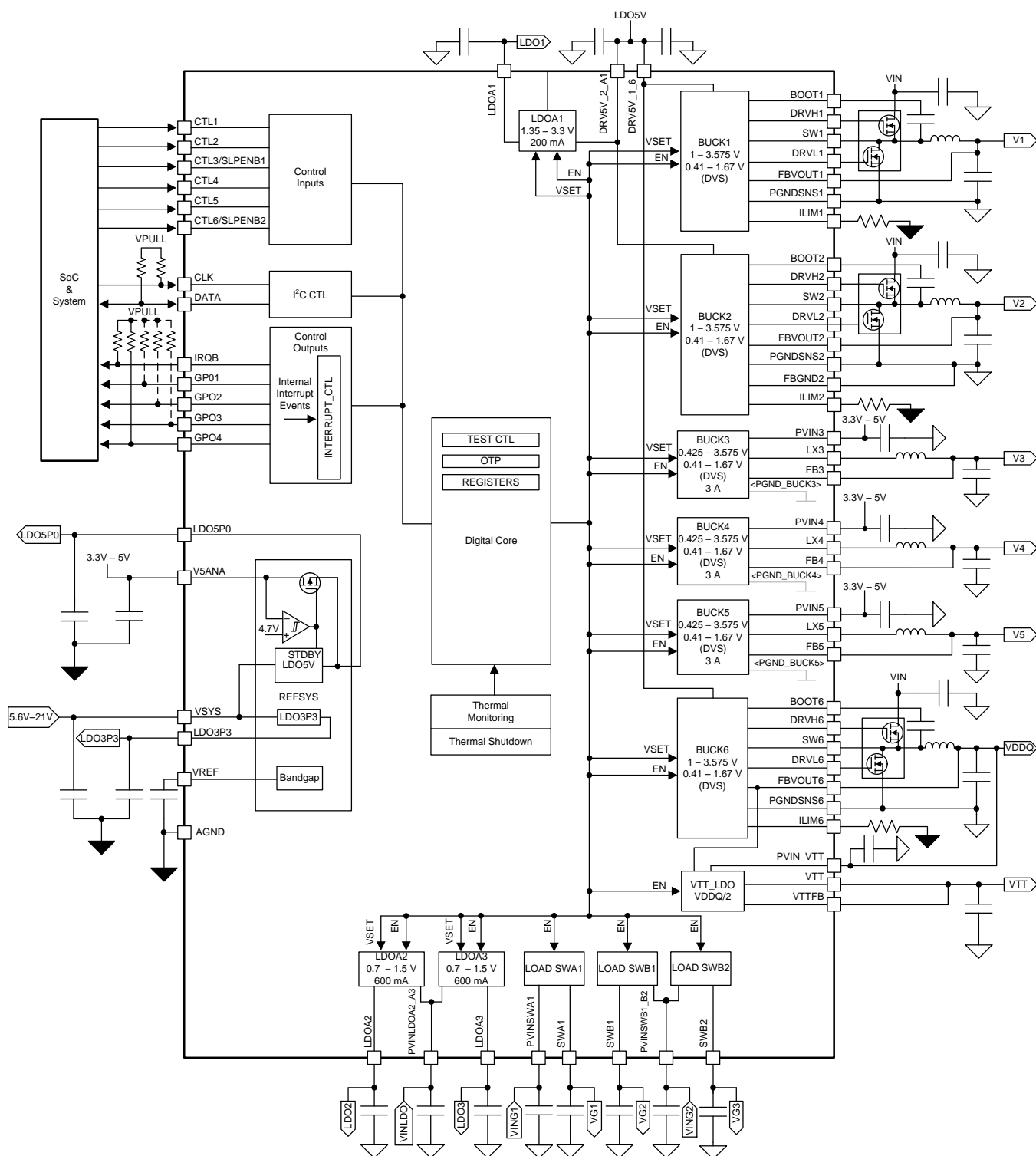
The TPS6508700 power-management integrated circuit (PMIC) provides all the required power supplies for the AMD Family 17h Models 10h-1Fh Processors. The PMIC has the following integrated components: three step-down controllers (BUCK1, BUCK2, and BUCK6), three step-down converters (BUCK3, BUCK4, and BUCK5), a sink or source LDO (VTT LDO), three low-voltage  $V_{IN}$  LDOs (LDOA1–LDOA3), and three load switches (SWA1, SWB1, and SWB2). With on-chip, one-time programmable (OTP) memory, configuration of each rail for the default output value, power-up sequence, fault handling, and power good mapping into a GPO pin are all conveniently flexible. All voltage rails (VRs) have a built-in discharge resistor, and the value can be changed using the DISCHCNT1–DISCHCNT3 and LDOA1\_CTRL registers. When enabling a VR, the PMIC automatically disconnects the discharge resistor for that rail without any I<sup>2</sup>C command. [Table 5-1](#) lists the key characteristics of the voltage rails.

**Table 5-1. Summary of Voltage Regulators**

RAIL	TYPE	INPUT VOLTAGE (V)		OUTPUT VOLTAGE RANGE (V)			CURRENT (mA)
		MIN	MAX	MIN	TYP	MAX	
BUCK1	Step-down controller	4.5	21		5 V by external feedback		Scalable
BUCK2	Step-down controller	4.5	21	0.41	0.8	1.67	Scalable
BUCK3	Step-down converter	4.5	5.5	0.425	1.8	3.575	3000
BUCK4	Step-down converter	4.5	5.5	0.425	0.8	3.575	3000
BUCK5	Step-down converter	4.5	5.5	0.425	1.8	3.575	3000
BUCK6	Step-down controller	4.5	21	1	3.3	3.575	Scalable
LDOA1	LDO	4.5	5.5	1.35	3.3	3.3	200 <sup>(1)</sup>
LDOA2	LDO	1.62	1.98	0.7	1.5	1.5	600
LDOA3	LDO	1.62	1.98	0.7	1.2	1.5	600
SWA1	Load switch	0.5	3.3		1.5		300
SWB1/SWB2	Load switch	0.5	3.3		1.5		300
VTT	Sink and Source LDO	BUCK6 output			$V_{BUCK6} / 2$		

(1) When powered from a 5-V supply through the DRV5V\_2\_A1 pin. Otherwise, max current is limited by max  $I_{OUT}$  of LDO5.

## 5.2 Functional Block Diagram



Copyright © 2017, Texas Instruments Incorporated

Figure 5-1. PMIC Functional Block Diagram

### 5.3 SMPS Voltage Regulators

The buck controllers integrate gate drivers for external power stages with a programmable current limit (set by an external resistor at ILIMx pin), which allows for optimal selection of external passive components based on the desired system load. The buck converters include an integrated power stage and require a minimum number of pins for power input, inductor, and output voltage feedback input. Combined with high-frequency switching, all these features allow the use of inductors in a small form factor, reducing total-system cost and size.

BUCK1–BUCK6 have selectable auto-PWM and forced-PWM mode through the BUCKx\_MODE bit in the BUCKxCTRL register. In default auto-PWM mode, the VR automatically switches between pulse width modulation (PWM) and pulse frequency modulation (PFM) depending on the output load to maximize efficiency.

All controllers and converters can be set to the default output voltage ( $V_{OUT}$ ) or dynamically voltage changing at any time. This feature means that the rails can be programmed for any  $V_{OUT}$  by the factory, therefore the device starts up with the default voltage, or during operation the rail can be programmed to another operating  $V_{OUT}$  while the rail is enable or disabled. Two step sizes, or ranges, are available for  $V_{OUT}$  selection: 10-mV steps and 25-mV steps. The step-size range must be selected prior to use and must be programmed by the factory. The step-size range is not subject to programming or change during operation.

[Table 5-2](#) lists the options for the 10-mV step-size range  $V_{OUT}$ . [Table 5-3](#) lists the options for the 25-mV step-size range  $V_{OUT}$ .

**Table 5-2. 10-mV Step-Size V<sub>OUT</sub> Range**

VID BITS	V <sub>OUT</sub>	VID BITS	V <sub>OUT</sub>	VID BITS	V <sub>OUT</sub>
0000000b	0	0101011b	0.83	1010110b	1.26
0000001b	0.41	0101100b	0.84	1010111b	1.27
0000010b	0.42	0101101b	0.85	1011000b	1.28
0000011b	0.43	0101110b	0.86	1011001b	1.29
0000100b	0.44	0101111b	0.87	1011010b	1.30
0000101b	0.45	0110000b	0.88	1011011b	1.31
0000110b	0.46	0110001b	0.89	1011100b	1.32
0000111b	0.47	0110010b	0.90	1011101b	1.33
0001000b	0.48	0110011b	0.91	1011110b	1.34
0001001b	0.49	0110100b	0.92	1011111b	1.35
0001010b	0.50	0110101b	0.93	1100000b	1.36
0001011b	0.51	0110110b	0.94	1100001b	1.37
0001100b	0.52	0110111b	0.95	1100010b	1.38
0001101b	0.53	0111000b	0.96	1100011b	1.39
0001110b	0.54	0111001b	0.97	1100100b	1.40
0001111b	0.55	0111010b	0.98	1100101b	1.41
0010000b	0.56	0111011b	0.99	1100110b	1.42
0010001b	0.57	0111100b	1.00	1100111b	1.43
0010010b	0.58	0111101b	1.01	1101000b	1.44
0010011b	0.59	0111110b	1.02	1101001b	1.45
0010100b	0.60	0111111b	1.03	1101010b	1.46
0010101b	0.61	1000000b	1.04	1101011b	1.47
0010110b	0.62	1000001b	1.05	1101100b	1.48
0010111b	0.63	1000010b	1.06	1101101b	1.49
0011000b	0.64	1000011b	1.07	1101110b	1.50
0011001b	0.65	1000100b	1.08	1101111b	1.51
0011010b	0.66	1000101b	1.09	1110000b	1.52
0011011b	0.67	1000110b	1.10	1110001b	1.53
0011100b	0.68	1000111b	1.11	1110010b	1.54
0011101b	0.69	1001000b	1.12	1110011b	1.55
0011110b	0.70	1001001b	1.13	1110100b	1.56
0011111b	0.71	1001010b	1.14	1110101b	1.57
0100000b	0.72	1001011b	1.15	1110110b	1.58
0100001b	0.73	1001100b	1.16	1110111b	1.59
0100010b	0.74	1001101b	1.17	1111000b	1.60
0100011b	0.75	1001110b	1.18	1111001b	1.61
0100100b	0.76	1001111b	1.19	1111010b	1.62
0100101b	0.77	1010000b	1.20	1111011b	1.63
0100110b	0.78	1010001b	1.21	1111100b	1.64
0100111b	0.79	1010010b	1.22	1111101b	1.65
0101000b	0.80	1010011b	1.23	1111110b	1.66
0101001b	0.81	1010100b	1.24	1111111b	1.67
0101010b	0.82	1010101b	1.25	—	—

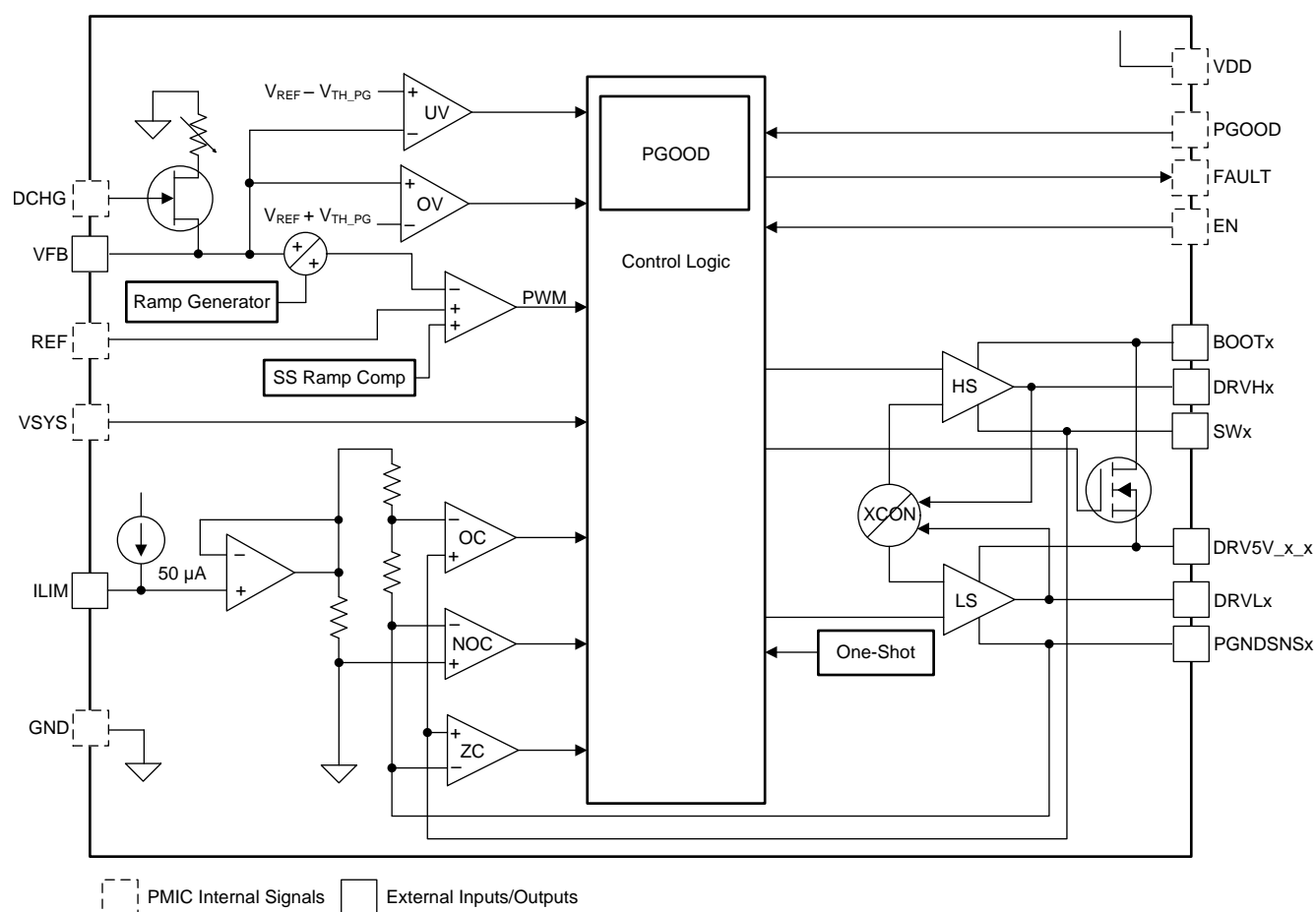
**Table 5-3. 25-mV Step-Size V<sub>OUT</sub> Range**

VID BITS	V <sub>OUT</sub> (Converters)	V <sub>OUT</sub> (Controllers)	VID BITS	V <sub>OUT</sub>	VID BITS	V <sub>OUT</sub>
000000b	0	1.000	0101011b	1.475	1010110b	2.550
000001b	0.425	1.000	0101100b	1.500	1010111b	2.575
0000010b	0.450	1.000	0101101b	1.525	1011000b	2.600
0000011b	0.475	1.000	0101110b	1.550	1011001b	2.625
0000100b	0.500	1.000	0101111b	1.575	1011010b	2.650
0000101b	0.525	1.000	0110000b	1.600	1011011b	2.675
0000110b	0.550	1.000	0110001b	1.625	1011100b	2.700
0000111b	0.575	1.000	0110010b	1.650	1011101b	2.725
0001000b	0.600	1.000	0110011b	1.675	1011110b	2.750
0001001b	0.625	1.000	0110100b	1.700	1011111b	2.775
0001010b	0.650	1.000	0110101b	1.725	1100000b	2.800
0001011b	0.675	1.000	0110110b	1.750	1100001b	2.825
0001100b	0.700	1.000	0110111b	1.775	1100010b	2.850
0001101b	0.725	1.000	0111000b	1.800	1100011b	2.875
0001110b	0.750	1.000	0111001b	1.825	1100100b	2.900
0001111b	0.775	1.000	0111010b	1.850	1100101b	2.925
0010000b	0.800	1.000	0111011b	1.875	1100110b	2.950
0010001b	0.825	1.000	0111100b	1.900	1100111b	2.975
0010010b	0.850	1.000	0111101b	1.925	1101000b	3.000
0010011b	0.875	1.000	0111110b	1.950	1101001b	3.025
0010100b	0.900	1.000	0111111b	1.975	1101010b	3.050
0010101b	0.925	1.000	1000000b	2.000	1101011b	3.075
0010110b	0.950	1.000	1000001b	2.025	1101100b	3.100
0010111b	0.975	1.000	1000010b	2.050	1101101b	3.125
0011000b	1.000	1.000	1000011b	2.075	1101110b	3.150
0011001b	1.025	1.025	1000100b	2.100	1101111b	3.175
0011010b	1.050	1.050	1000101b	2.125	1110000b	3.200
0011011b	1.075	1.075	1000110b	2.150	1110001b	3.225
0011100b	1.100	1.100	1000111b	2.175	1110010b	3.250
0011101b	1.125	1.125	1001000b	2.200	1110011b	3.275
0011110b	1.150	1.150	1001001b	2.225	1110100b	3.300
0011111b	1.175	1.175	1001010b	2.250	1110101b	3.325
0100000b	1.200	1.200	1001011b	2.275	1110110b	3.350
0100001b	1.225	1.225	1001100b	2.300	1110111b	3.375
0100010b	1.250	1.250	1001101b	2.325	1111000b	3.400
0100011b	1.275	1.275	1001110b	2.350	1111001b	3.425
0100100b	1.300	1.300	1001111b	2.375	1111010b	3.450
0100101b	1.325	1.325	1010000b	2.400	1111011b	3.475
0100110b	1.350	1.350	1010001b	2.425	1111100b	3.500
0100111b	1.375	1.375	1010010b	2.450	1111101b	3.525
0101000b	1.400	1.400	1010011b	2.475	1111110b	3.550
0101001b	1.425	1.425	1010100b	2.500	1111111b	3.575
0101010b	1.450	1.450	1010101b	2.525	—	—

### 5.3.1 Controller Overview

The controllers are fast-reacting, high-frequency, scalable output-power controllers capable of driving two external N-MOSFETs. The controllers use the D-CAP2 control scheme that optimizes transient responses at high load currents for such applications as CORE and DDR supplies. The output voltage is compared with an internal reference voltage after divider resistors. The PWM comparator determines the timing to turn on the high-side MOSFET. The PWM comparator response maintains a very small PWM output ripple voltage. Because the device does not have a dedicated oscillator for the on-board control loop, the switching cycle is controlled by the adaptive on-time circuit. The on-time is controlled to meet the target switching frequency by feed-forwarding the input and output voltage into the on-time one-shot timer.

The D-CAP2 control scheme has an injected ripple from the SW node that is added on to the reference voltage to simulate output ripple, which eliminates the need for ESR-induced output ripple from D-CAP mode control. Therefore, low-ESR output capacitors (such as low-cost ceramic MLCC capacitors) can be used with the controllers. Figure 5-2 shows the block diagram for the controller



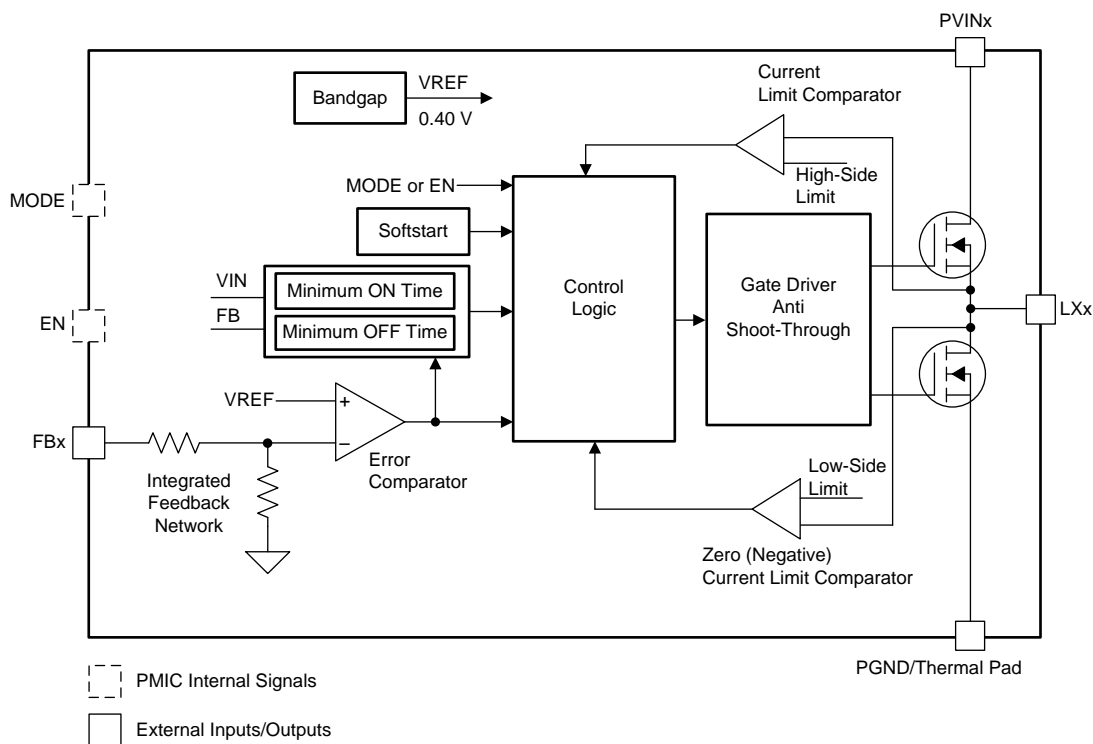
Copyright © 2017, Texas Instruments Incorporated

Figure 5-2. Controller Block Diagram

### 5.3.2 Converter Overview

The PMIC synchronous step-down DC-DC converters include a unique, hysteretic PWM-controller scheme which enables a high switching-frequency converter, excellent transient and AC load regulation as well as operation with cost-competitive external components. The controller topology supports forced PWM mode as well as power-save mode operation. Power-save mode operation, or PFM mode, reduces the quiescent current consumption and ensures high conversion efficiency at light loads by skipping switch pulses. In forced PWM mode, the device operates on a quasi-fixed frequency, avoids pulse skipping, and allows filtering of the switch noise by external filter components. The PMIC device offers fixed output voltage options featuring a small solution size by using only three external components per converter.

A significant advantage of a PMIC over other hysteretic PWM controller topologies is the excellent AC load transient regulation capability of PMICs. When the output voltage falls below the threshold of the error comparator, a switch pulse is initiated, and the high-side switch is turned on. The switch remains turned on until a minimum on-time ( $t_{ONmin}$ ) expires and the output voltage trips the threshold of the error comparator, or until the inductor current reaches the current limit of the high-side switch. When the high-side switch turns off, the low-side switch rectifier is turned on and the inductor current ramps down until the high-side switch turns on again or the inductor current reaches zero. In forced PWM mode operation, negative inductor current is allowed to enable continuous conduction mode even at no load condition.



Copyright © 2017, Texas Instruments Incorporated

Figure 5-3. Converter Block Diagram



### 5.3.3 Dynamic Voltage Scaling

The buck regulators (BUCK1 through BUCK6) support dynamic voltage scaling (DVS) for maximum system efficiency. The VR outputs can slew up and slew down in either 10-mV or 25-mV steps using the 7-bit voltage ID (VID) defined in Section 4.7 and Section 4.8. The DVS slew rate is 2.5 mV/μs (minimum). To meet the minimum slew rate, VID progresses to the next code at 3-μs (nominal) interval per 10-mV or at 6-μs interval per 25-mV steps. When DVS is active, the VR is forced into PWM mode, unless the BUCKx\_DECAY bit is 1b, to ensure the output keeps track of the VID code with minimal delay. Additionally, the PGOOD bits (in the PG\_STATUS1 and PG\_STATUS2 registers) are masked when DVS is in progress. Figure 5-4 shows an example of slew down and slew up from one VID to another (step size of 10 mV).

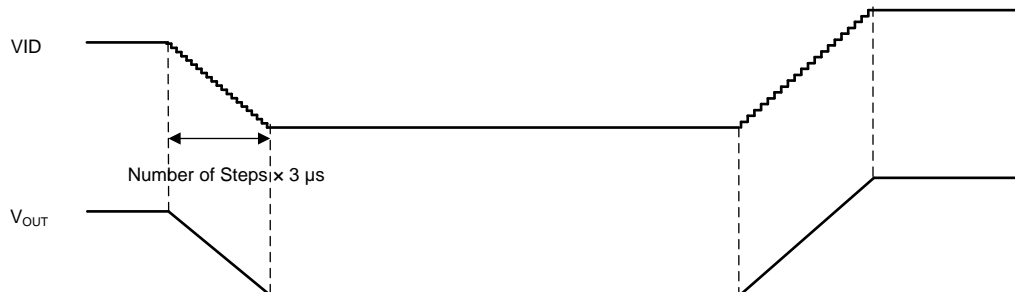


Figure 5-4. DVS Timing Diagram I (BUCKx\_DECAY = 0b)

When DVS is enabled and the BUCKx\_VID[6:0] bit is set to any setting except 0b or 1b, the slew rate of the voltage is as shown in Figure 5-4.

As shown in Figure 5-5, if a BUCKx\_VID[6:0] bit is set to 0000000b, the output voltage of that buck slews down to 0.5 V first, and then drifts down to 0 V as the SMPS stops switching. Subsequently, if a BUCKx\_VID[6:0] bit is set to a value (neither 0000000b nor 0000001b) when the output voltage of that buck is less than 0.5 V, the VR ramps up to 0.5 V first and the soft-start time begins. The output voltage then slews up to the target voltage of the previously mentioned slew rate.

#### NOTE

A fixed 200 μs of soft-start time is reserved for the output voltage to reach 0.5 V. In this case, however, the SMPS is not forced into PWM mode as it otherwise could cause the output voltage to droop momentarily if the output voltage might have been drifting above 0.5 V for any reason.

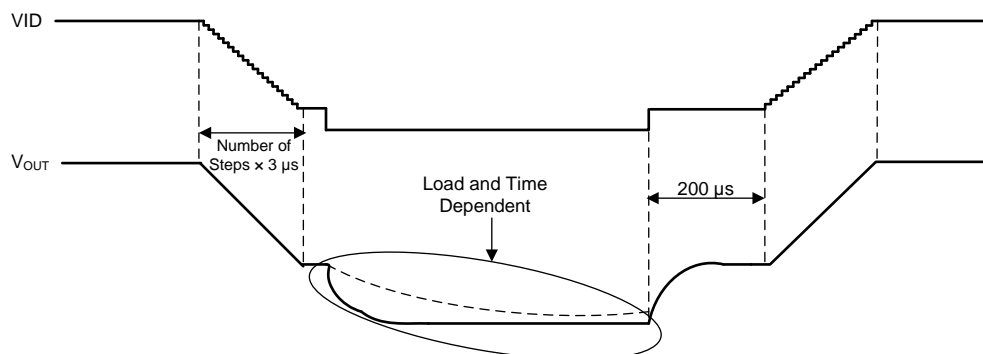


Figure 5-5. DVS Timing Diagram II (BUCKx\_DECAY = 0b)

### 5.3.4 Current Limit

The buck controllers (BUCK1, BUCK2, and BUCK6) have inductor-valley current-limit architecture and the current limit is programmable by an external resistor at the ILIMx pin. Equation 1 shows the calculation for a desired resistor value, depending on specific application conditions. The  $I_{LIMREF}$  current is the current source out of the ILIMx pin that is typically 50  $\mu$ A, and  $R_{DSON}$  is the maximum channel resistance of the low-side FET. The scaling factor is 1.3 to consider all errors and temperature variations of  $R_{DSON}$ ,  $I_{LIMREF}$ , and  $R_{ILIM}$ . Finally, 8 is another scaling factor associated with the  $I_{LIMREF}$  current.

$$R_{ILIM} = \frac{R_{DSON} \times 8 \times 1.3 \times \left( I_{LIM} - \frac{I_{ripple(min)}}{2} \right)}{I_{LIMREF}}$$

where

- $I_{LIM}$  is the target current limit. An appropriate margin must be allowed when determining the value of  $I_{LIM}$  from the maximum DC load current of the output.
- $I_{ripple(min)}$  is the minimum peak-to-peak inductor ripple current for a given output voltage. (1)

$$I_{ripple(min)} = \frac{V_{OUT} (V_{IN(MIN)} - V_{OUT})}{L_{max} \times V_{IN(MIN)} \times f_{sw(max)}}$$

where

- $L_{max}$  is the maximum inductance.
- $f_{sw(max)}$  is the maximum switching frequency.
- $V_{IN(MIN)}$  is the minimum input voltage to the external power stage. (2)

The inductor of the buck converter limits the peak current. This current limiting is done on a cycle-by-cycle basis to the current limit ( $I_{IND\_LIM}$ ), which is specified in Section 4.8.

## 5.4 LDO Regulators and Load Switches

### 5.4.1 VTT LDO

Powered from the BUCK6 output, the VTT LDO tracks the  $V_{BUCK6}$  voltage by regulating its output to a half of its input. The LDO current limit is OTP dependent, and it is designed specifically to power DDR memory. The LDO core is a transconductance amplifier with large gain, and it drives a current output stage that either sources or sinks current depending on the deviation of VTTFB pin voltage from the target regulation voltage.

### 5.4.2 LDOA1–LDOA3

The TPS6508700 device integrates three general-purpose LDOs. LDOA1 is powered from a 5-V supply through the DRV5V\_2\_A1 pin and it can be factory configured as an always-on rail as long as a valid power supply is available at the VSYS pin. For LDOA1 output voltage options, see Table 5-4. LDOA2 and LDOA3 share a power input pin (PVINLDOA2\_A3). The output regulation voltages are set by writing to the LDOAx\_VID[3:0] bits (registers 0x9A, 0x9B, and 0xAE). For LDOA2 and LDOA3 output voltage options, See Table 5-5.

**Table 5-4. LDOA1 Output Voltage Options**

VID Bits	V <sub>OUT</sub>	VID Bits	V <sub>OUT</sub>	VID Bits	V <sub>OUT</sub>	VID Bits	V <sub>OUT</sub>
0000b	1.35	0100b	1.8	1000b	2.3	1100b	2.85
0001b	1.5	0101b	1.9	1001b	2.4	1101b	3.0
0010b	1.6	0110b	2.0	1010b	2.5	1110b	3.3
0011b	1.7	0111b	2.1	1011b	2.6	1111b	Not Used

**Table 5-5. LDOA2 and LDOA3 Output Voltage Options**

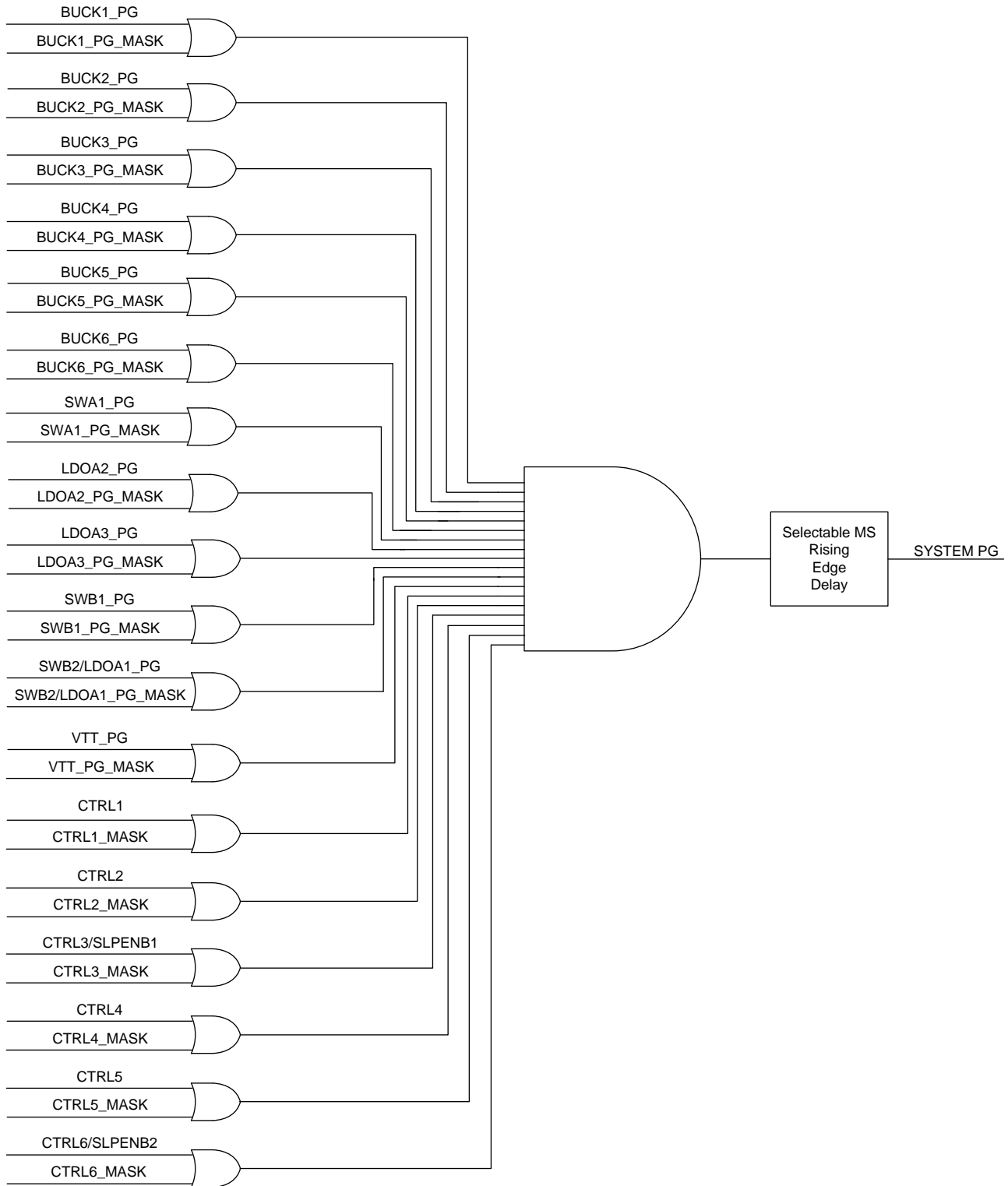
VID Bits	V <sub>OUT</sub>	VID Bits	V <sub>OUT</sub>	VID Bits	V <sub>OUT</sub>	VID Bits	V <sub>OUT</sub>
0000b	0.70	0100b	0.90	1000b	1.10	1100b	1.30
0001b	0.75	0101b	0.95	1001b	1.15	1101b	1.35
0010b	0.80	0110b	1.00	1010b	1.20	1110b	1.40
0011b	0.85	0111b	1.05	1011b	1.25	1111b	1.50

### 5.4.3 Load Switches

The PMIC features three general-purpose load switches. The SWA1 switch has a dedicated power input pin (PVINSWA1). The SWB1 and SWB2 pins share one power input pin (PVINSWB1\_B2). All switches have built-in slew-rate control during startup to limit the inrush current.

### 5.5 Power Good Information (PGOOD or PG) and GPO Pins

The device provides information on status of VRs through four GPO pins along with the power-good status registers defined in [Section 5.9.47](#) and [Section 5.9.48](#). Power good information of any individual VR and load switch can be assigned to be part of the PGOOD tree as defined from [Section 5.9.37](#) to [Section 5.9.44](#). PGOOD assertion delays are programmable from 0 ms to 15 ms for GPO1, 0 ms to 100 ms for GPO2 and GPO4, and 2.5 ms to 100 ms for GPO3 as defined in [Section 5.9.19](#) and [Section 5.9.31](#) (respectively).



**Figure 5-6. Power Good Tree**

Alternatively, the GPOs can be used as general-purpose outputs controlled by the user through I<sup>2</sup>C. For more information on controlling the GPOs in I<sup>2</sup>C control mode, see [Section 5.9.34](#).

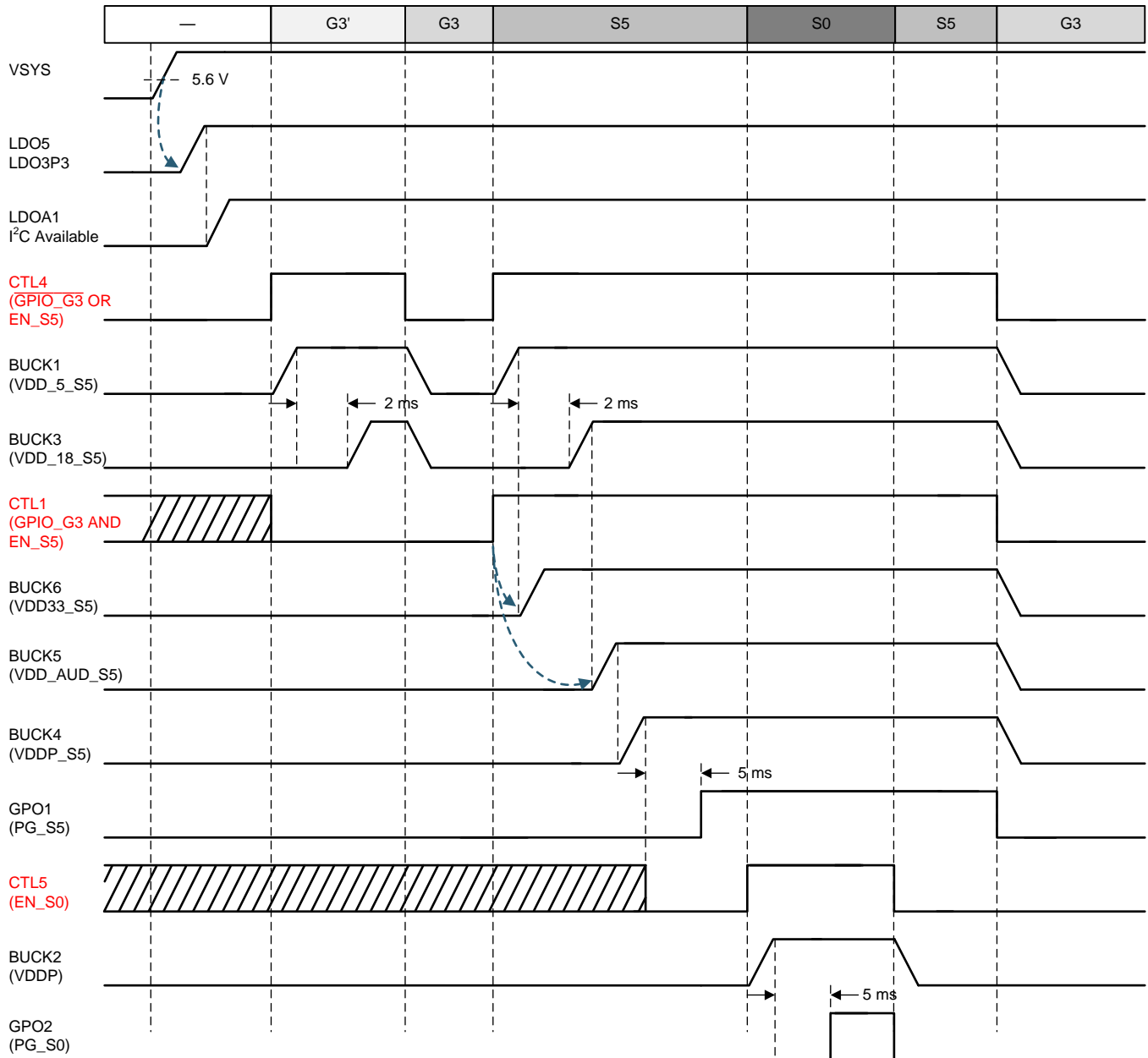
## 5.6 Power Sequencing and Voltage-Rail Control

When a valid power source is available at the VSYS pin ( $V_{SYS} \geq 5.6$  V), the internal analog blocks, including LDO5 and LDO3P3, are enabled. The device then has three ways of sequencing the rails during power up and power down:

- Rail enabled by CTLx pin
- Rail enabled by power good, (PG) of the previously enabled rail
- Rail enabled by I<sup>2</sup>C software command

### 5.6.1 Power-Up and Power-Down Sequencing

The power-up and power-down sequence uses the CTL1, CTL4, and CTL5 pins to enable and disable regulators as required by the system. [Figure 5-7](#) shows the sequencing of these enables in a typical power-up and power-down sequence.



- (1) CTLx are control signals from the discrete digital from the processor to enable the rails.
- (2) The power fault is masked for 10 ms when the regulator is enabled.

**Figure 5-7. Power-Up and Power-Down Sequence**

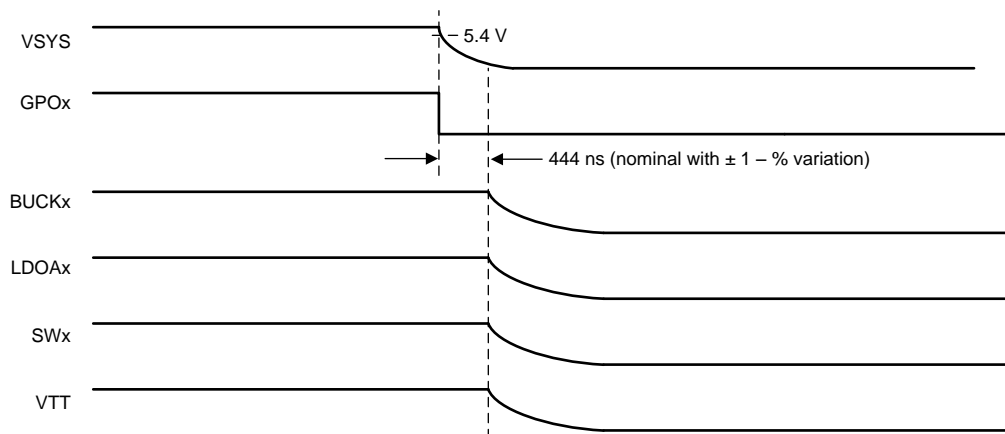
Table 5-6 lists the system power states.

**Table 5-6. System Power States**

STATE	GPIO_G3	EN_S5	CTL4	CTL5
G3'	1	0	1	0
G3'	1	1	1	0
G3 state	0	0	0	0
S5 state	0	1	1	1

## 5.6.2 Emergency Shutdown

Figure 5-8 shows the emergency shutdown sequence.



**Figure 5-8. Emergency Shutdown Sequence**

When the  $V_{SYS}$  voltage crosses below  $V_{SYS\_UVLO\_5V}$ , all power good pins are deasserted, and after 444 ns (nominal) of delay, all VRs shut down. Upon shutdown, all internal discharge resistors are set to  $100\ \Omega$  to ensure timely decay of all VR outputs. Other conditions that cause emergency shutdown are the die temperature rising above the critical temperature threshold ( $T_{CRIT}$ ), and deassertion of the power good of any rail (configurable).

## 5.7 Device Functional Modes

### 5.7.1 Off Mode

When the power supply at the VSYS pin is less than  $V_{SYS\_UVLO\_5V}$  (5.4-V nominal) +  $V_{SYS\_UVLO\_5V\_HYS}$  (0.2-V nominal), the device is in off mode, where all output rails are disabled. If the supply voltage is greater than  $V_{SYS\_UVLO\_3V}$  (3.6-V nominal) +  $V_{SYS\_UVLO\_3V\_HYS}$  (0.15-V nominal) while the supply voltage is still less than  $V_{SYS\_UVLO\_5V} + V_{SYS\_UVLO\_5V\_HYS}$ , then the internal band-gap reference (VREF pin) along with LDO3P3 are enabled and regulated at target values.

### 5.7.2 Standby Mode

When the power supply at the VSYS pin rises above  $V_{SYS\_UVLO\_5V} + V_{SYS\_UVLO\_5V\_HYS}$ , the device enters standby mode, where all internal reference and regulators (LDO3P3 and LDO5) are up and running, and I<sup>2</sup>C interface and CTL pins are ready to respond. All default registers defined in Section 5.9.1 should have been loaded from one-time programmable (OTP) memory by now. Quiescent current consumption in standby mode is specified in Section 4.5.

### 5.7.3 Active Mode

The device proceeds to active mode when any output rail is enabled through an input pin as discussed in Section 5.6 or by writing to EN bits through I<sup>2</sup>C. The output regulation voltage can also be changed by writing to the VID bits defined in Section 5.9.1.

## 5.8 I<sup>2</sup>C Interface

The I<sup>2</sup>C interface is a 2-wire serial interface. The bus consists of a data line (SDA) and a clock line (SCL) with pullup structures. When the bus is idle, both SDA and SCL lines are pulled high. All the I<sup>2</sup>C compatible devices connect to the I<sup>2</sup>C bus through open drain I/O pins, DATA, and CLK. A master device, usually a microcontroller or a digital signal processor, controls the bus. The master is responsible for generating the SCL signal and device addresses. The master also generates specific conditions that indicate the START and STOP of data transfer. A slave device receives data, transmits data, or both on the bus under control of the master device.

The TPS6508700 device works as a slave and supports the following data transfer modes, as defined in the I<sup>2</sup>C-Bus Specification: standard mode (100 kbps), fast mode (400 kbps), and high-speed mode (1 Mbps). The interface adds flexibility to the power supply solution, enabling most functions to be programmed to new values depending on the instantaneous application requirements. Register contents are loaded when the  $V_{SYS}$  voltage is higher than  $V_{SYS\_UVLO\_5V}$  and is applied to the TPS6508700 device. The I<sup>2</sup>C interface is running from an internal oscillator that is automatically enabled when access to the interface is available.

The data transfer protocol for fast and standard modes are exactly the same, therefore, they are referred to as F/S-mode in this document. The protocol for high-speed mode is different from the F/S-mode, and it is referred to as H/S-mode.

The TPS6508700 device supports 7-bit addressing; however, 10-bit addressing and a general call address are not supported. The default device address is 0x5E.

### 5.8.1 F/S-Mode Protocol

The master initiates a data transfer by generating a start condition. The start condition is a high-to-low transition that occurs on the SDA line while SCL is high (see [Figure 5-9](#)). All I<sup>2</sup>C-compatible devices should recognize a start condition.

The master then generates the SCL pulses, and transmits the 7-bit address and the read-write direction bit, R/W, on the SDA line. During all transmissions, the master ensures that data is valid. A valid data condition requires the SDA line to be stable during the entire high period of the clock pulse (see [Figure 5-10](#)). All devices recognize the address sent by the master and compare it to their internal fixed addresses. Only the slave device with a matching address generates an acknowledge (see [Figure 5-11](#)) by pulling the SDA line low during the entire high period of the ninth SCL cycle. Upon detecting this acknowledge, the master identifies that the communication link with a slave has been established.

The master generates additional SCL cycles to either transmit data to the slave (R/W bit is 0b) or receive data from the slave (R/W bit is 1b). In either case, the receiver must acknowledge the data sent by the transmitter. An acknowledge signal can either be generated by the master or by the slave, depending on which one is the receiver. The 9-bit valid data sequences consisting of 8-bit data and 1-bit acknowledge can continue as long as required.

To signal the end of the data transfer, the master generates a stop condition by pulling the SDA line from low to high while the SCL line is high (see [Figure 5-9](#)). This process releases the bus and stops the communication link with the addressed slave. All I<sup>2</sup>C-compatible devices must recognize the stop condition. Upon receiving a stop condition, all devices identify that the bus is released, and wait for a start condition followed by a matching address.



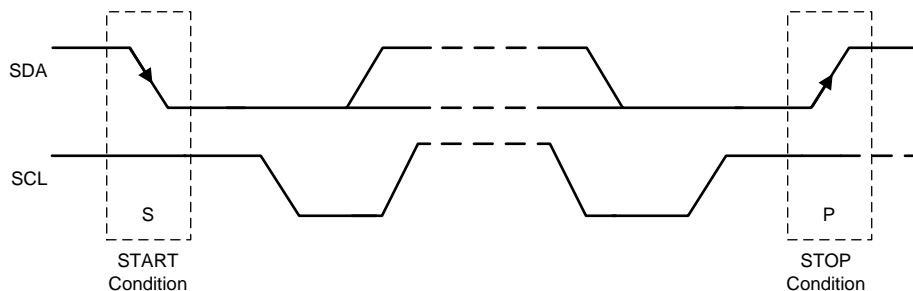


Figure 5-9. START and STOP Conditions

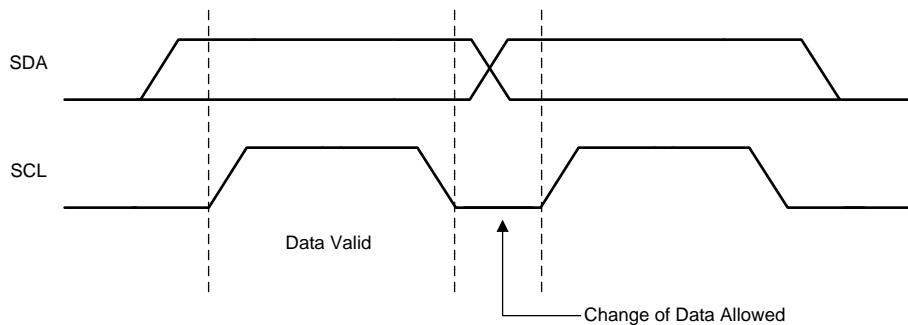


Figure 5-10. Bit Transfer on the I<sup>2</sup>C Bus

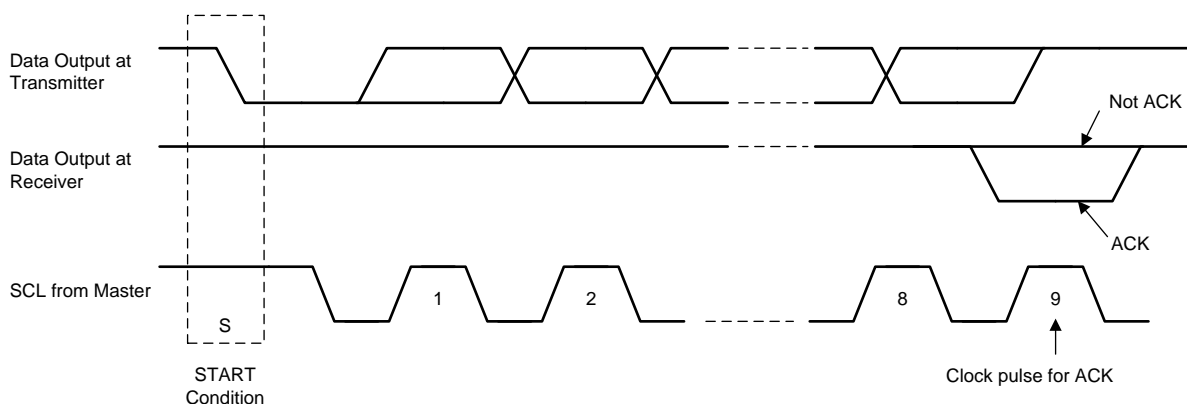


Figure 5-11. Acknowledge on the I<sup>2</sup>C Bus

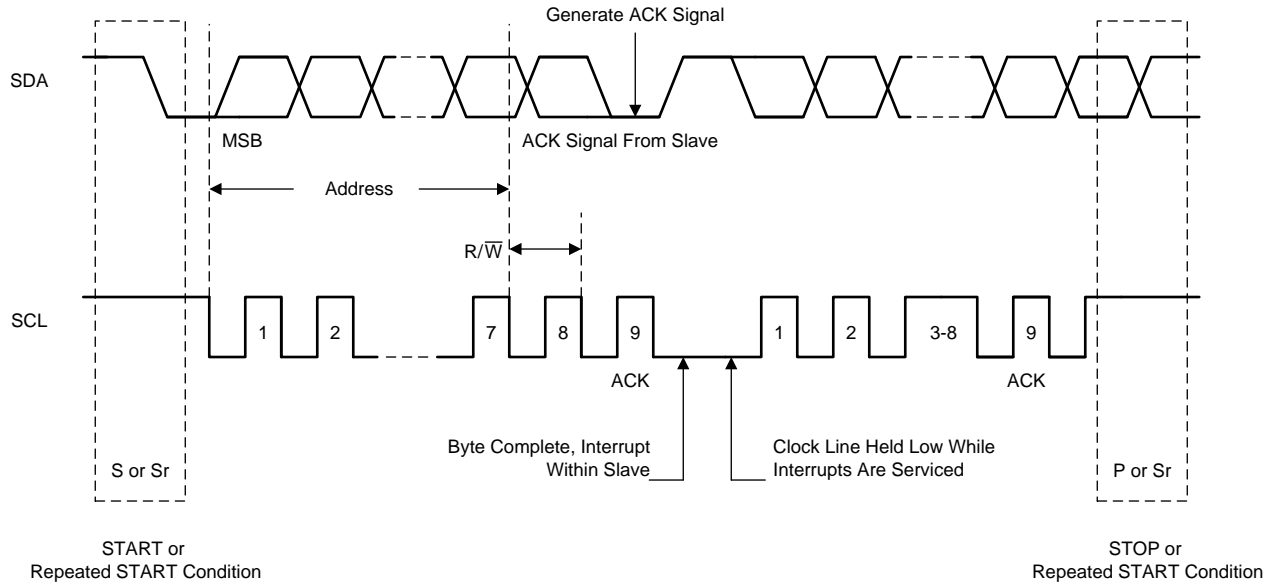


Figure 5-12. I<sup>2</sup>C Bus Protocol

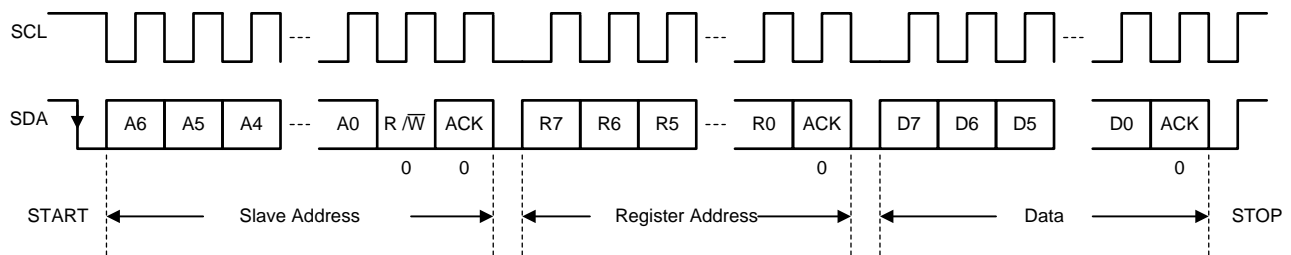


Figure 5-13. I<sup>2</sup>C Interface WRITE to TPS6508700 in F/S Mode

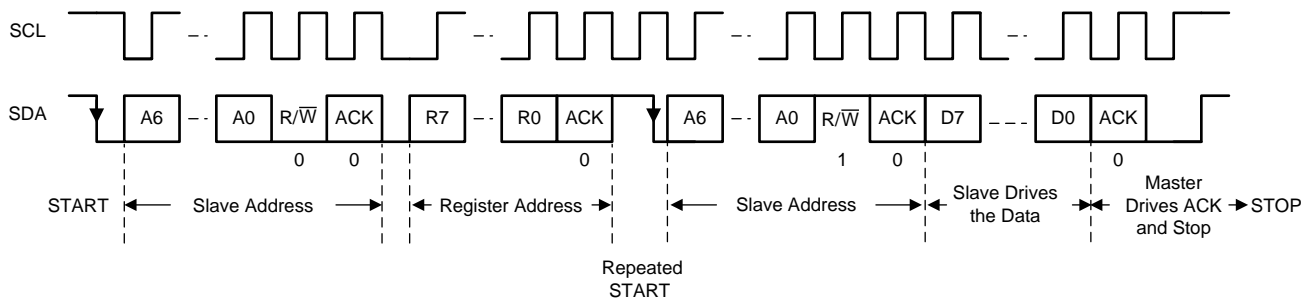


Figure 5-14. I<sup>2</sup>C Interface READ From TPS6508700 in F/S Mode (Only Repeated START is Supported)

## 5.9 Register Maps

### 5.9.1 Register Map Summary

Table 5-7 lists the memory-mapped registers for the TPS6508700. All register offset addresses not listed in Table 5-7 should be considered as reserved locations and the register contents should not be modified.

**Table 5-7. Register Map Summary**

Offset	Acronym	Short Description	Section
1h	DEVICEID	Device ID code indicating revision	<a href="#">Go</a>
2h	IRQ	Interrupt statuses	<a href="#">Go</a>
3h	IRQ_MASK	Interrupt masking	<a href="#">Go</a>
4h	PMICSTAT	PMIC temperature indicator	<a href="#">Go</a>
5h	SHUTDNSRC	Shutdown root cause indicator bits	<a href="#">Go</a>
21h	BUCK2CTRL	BUCK2 decay control and voltage select	<a href="#">Go</a>
22h	BUCK3DECAY	BUCK3 decay control	<a href="#">Go</a>
23h	BUCK3VID	BUCK3 voltage select	<a href="#">Go</a>
24h	BUCK3SLPCTRL	BUCK3 voltage select for SLEEP state	<a href="#">Go</a>
25h	BUCK4CTRL	BUCK4 control	<a href="#">Go</a>
26h	BUCK5CTRL	BUCK5 control	<a href="#">Go</a>
27h	BUCK6CTRL	BUCK6 control	<a href="#">Go</a>
28h	LDOA2CTRL	LDOA2 control	<a href="#">Go</a>
29h	LDOA3CTRL	LDOA3 control	<a href="#">Go</a>
40h	DISCHCTRL1	Discharge resistors for each rail control	<a href="#">Go</a>
41h	DISCHCTRL2	Discharge resistors for each rail control	<a href="#">Go</a>
42h	DISCHCTRL3	Discharge resistors for each rail control	<a href="#">Go</a>
43h	PG_DELAY1	System Power Good on GPO3 (if GPO3 is programmed to be system PG)	<a href="#">Go</a>
91h	FORCESHUTDN	Software force shutdown	<a href="#">Go</a>
93h	BUCK2SLPCTRL	BUCK2 voltage select for SLEEP state	<a href="#">Go</a>
94h	BUCK4VID	BUCK4 voltage select	<a href="#">Go</a>
95h	BUCK4SLPVID	BUCK4 voltage select for SLEEP state	<a href="#">Go</a>
96h	BUCK5VID	BUCK5 voltage select	<a href="#">Go</a>
97h	BUCK5SLPVID	BUCK5 voltage select for SLEEP state	<a href="#">Go</a>
98h	BUCK6VID	BUCK6 voltage select	<a href="#">Go</a>
99h	BUCK6SLPVID	BUCK6 voltage select for SLEEP state	<a href="#">Go</a>
9Ah	LDOA2VID	LDOA2 voltage select	<a href="#">Go</a>
9Bh	LDOA3VID	LDOA3 voltage select	<a href="#">Go</a>
9Ch	BUCK123CTRL	BUCK1, 2, and 3 disable and PFM/PWM mode control	<a href="#">Go</a>
9Dh	PG_DELAY2	System Power Good on GPO1, 2, and 4 (if GPOs are programmed to be system PG)	<a href="#">Go</a>
9Fh	SWVTT_DIS	SWs and VTT I <sup>2</sup> C disable bits	<a href="#">Go</a>
A0h	I2C_RAIL_EN1	I <sup>2</sup> C enable control of individual rails	<a href="#">Go</a>
A1h	I2C_RAIL_EN2/GPOCTRL	I <sup>2</sup> C enable control of individual rails and I <sup>2</sup> C controlled GPOs, high or low	<a href="#">Go</a>
A2h	PWR_FAULT_MASK1	Power fault masking for individual rails	<a href="#">Go</a>
A3h	PWR_FAULT_MASK2	Power fault masking for individual rails	<a href="#">Go</a>
A4h	GPO1PG_CTRL1	Power good tree control for GPO1	<a href="#">Go</a>
A5h	GPO1PG_CTRL2	Power good tree control for GPO1	<a href="#">Go</a>
A6h	GPO4PG_CTRL1	Power good tree control for GPO4	<a href="#">Go</a>
A7h	GPO4PG_CTRL2	Power good tree control for GPO4	<a href="#">Go</a>
A8h	GPO2PG_CTRL1	Power good tree control for GPO2	<a href="#">Go</a>

**Table 5-7. Register Map Summary (continued)**

Offset	Acronym	Short Description	Section
A9h	GPO2PG_CTRL2	Power good tree control for GPO2	<a href="#">Go</a>
AAh	GPO3PG_CTRL1	Power good tree control for GPO3	<a href="#">Go</a>
ABh	GPO3PG_CTRL2	Power good tree control for GPO3	<a href="#">Go</a>
ACh	MISCSYSPG	Power Good tree control with CTL3 and CTL6 for GPO	<a href="#">Go</a>
A Eh	LDOA1CTRL	LDOA1 control for discharge, voltage selection, and enable	<a href="#">Go</a>
B0h	PG_STATUS1	Power Good statuses for individual rails	<a href="#">Go</a>
B1h	PG_STATUS2	Power Good statuses for individual rails	<a href="#">Go</a>
B2h	PWR_FAULT_STATUS1	Power fault statuses for individual rails	<a href="#">Go</a>
B3h	PWR_FAULT_STATUS2	Power fault statuses for individual rails	<a href="#">Go</a>
B4h	TEMPCRIT	Critical temperature indicators	<a href="#">Go</a>
B5h	TEMPHOT	Hot temperature indicators	<a href="#">Go</a>
B6h	OC_STATUS	Overcurrent fault status	<a href="#">Go</a>

Complex bit access types are encoded to fit into small table cells. [Table 5-8](#) shows the codes that are used for access types in this section.

**Table 5-8. Access Type Codes**

Access Type	Code	Description
Read Type		
R	R	Read
Write Type		
W	W	Write
Reset or Default Value		
-nh		Value after reset or the default value

### 5.9.2 DEVICEID: PMIC Device and Revision ID Register (offset = 1h) [reset = 10h]

DEVICEID is shown in [Figure 5-15](#) and described in [Table 5-9](#).

Return to [Summary Table](#).

**Figure 5-15. DEVICEID Register**

7	6	5	4	3	2	1	0
REVID[1:0]		OTP_VERSION[1:0]		PART_NUMBER[3:0]			
R-0h		R-1h		R-0h			

**Table 5-9. DEVICEID Field Descriptions**

Bit	Field	Type	Reset	Description
7-6	REVID[1:0]	R	0h	Silicon revision ID
5-4	OTP_VERSION[1:0]	R	1h	OTP variation ID 0h = A 1h = B 2h = C 3h = D
3-0	PART_NUMBER[3:0]	R	0h	Device part number ID 0h = TPS6508700 1h = TPS6508701 Fh = TPS650870F

### 5.9.3 IRQ: PMIC Interrupt Register (offset = 2h) [reset = 0h]

IRQ is shown in [Figure 5-16](#) and described in [Table 5-10](#).

Return to [Summary Table](#).

**Figure 5-16. IRQ Register**

7	6	5	4	3	2	1	0
FAULT	RESERVED			SHUTDN	RESERVED		DIETEMP
R/W-0h	R-0h			R/W-0h	R-0h		R/W-0h

**Table 5-10. IRQ Field Descriptions**

Bit	Field	Type	Reset	Description
7	FAULT	R/W	0h	<p>Fault interrupt. Asserted when either condition occurs: SYS &lt; UVLO, power fault of any rail, or die temperature crosses over the critical temperature threshold (<math>T_{CRIT}</math>). The user can read registers 0xB2 through 0xB6 to determine what has caused the interrupt.</p> <p>0h = Not asserted 1h = Asserted. Host to write 1 to clear.</p>
6-4	RESERVED	R	0h	
3	SHUTDN	R/W	0h	<p>Asserted when PMIC shuts down. To clear indicator, SHUTDNSRC must be cleared first, see <a href="#">Section 5.9.6</a></p> <p>0h = Not asserted. 1h = Asserted. Host to write 1 to clear.</p>
2-1	RESERVED	R	0h	
0	DIETEMP	R/W	0h	<p>Die temp interrupt. Asserted when PMIC die temperature crosses above the hot temperature threshold (<math>T_{HOT}</math>).</p> <p>0h = Not asserted. 1h = Asserted. Host to write 1 to clear.</p>

### 5.9.4 IRQ\_MASK: PMIC Interrupt Mask Register (offset = 3h) [reset = FFh]

IRQ\_MASK is shown in [Figure 5-17](#) and described in [Table 5-11](#).

Return to [Summary Table](#).

**Figure 5-17. IRQ\_MASK Register**

7	6	5	4	3	2	1	0
MFAULT	RESERVED			MSHUTDN	RESERVED		MDIETEMP
R/W-1h	R-7h			R/W-1h	R-3h		R/W-1h

**Table 5-11. IRQ\_MASK Field Descriptions**

Bit	Field	Type	Reset	Description
7	MFAULT	R/W	1h	FAULT interrupt mask. 0h = Not masked. 1h = Masked.
6-4	RESERVED	R	7h	
3	MSHUTDN	R/W	1h	PMIC shutdown event interrupt mask 0h = Not masked. 1h = Masked.
2-1	RESERVED	R	3h	
0	MDIETEMP	R/W	1h	Die temp interrupt mask. 0h = Not masked. 1h = Masked.

### 5.9.5 PMICSTAT: PMIC Status Register (offset = 4h) [reset = 0h]

PMICSTAT is shown in [Figure 5-18](#) and described in [Table 5-12](#).

Return to [Summary Table](#).

**Figure 5-18. PMICSTAT Register**

7	6	5	4	3	2	1	0
RESERVED							SDIETEMP
R-0h							R-0h

**Table 5-12. PMICSTAT Field Descriptions**

Bit	Field	Type	Reset	Description
7-1	RESERVED	R	0h	
0	SDIETEMP	R	0h	PMIC die temperature status. 0h = PMIC die temperature is below T <sub>HOT</sub> . 1h = PMIC die temperature is above T <sub>HOT</sub> .

### 5.9.6 SHUTDNSRC: PMIC Shut-Down Event Register (offset = 5h) [reset = 0h]

SHUTDNSRC is shown in [Figure 5-19](#) and described in [Table 5-13](#).

Return to [Summary Table](#).

**Figure 5-19. SHUTDNSRC Register**

7	6	5	4	3	2	1	0
RESERVED				COLDOFF	UVLO	PWRFLT	CRITTEMP
R-0h				R/W-0h	R/W-0h	R/W-0h	R/W-0h

**Table 5-13. SHUTDNSRC Field Descriptions**

Bit	Field	Type	Reset	Description
7-4	RESERVED	R	0h	
3	COLDOFF	R/W	0h	Set by PMIC cleared by host. Host to write 1 to clear. This bit is always 0h for TPS6508700.  0h = Cleared 1h = PMIC was shut down by pulling down <b>CTL1</b> pin.
2	UVLO	R/W	0h	Set by PMIC cleared by host. Host to write 1 to clear.  0h = Cleared 1h = PMIC was shut down due to a UVLO event ( $V_{SYS}$ crosses below 5.4 V). Assertion of this bit sets the SHUTDN bit in <a href="#">Section 5.9.3</a> .
1	PWRFLT	R/W	0h	Set by PMIC cleared by host. Host to write 1 to clear.  0h = Cleared 1h = PMIC was shut down due to a power fault on a rail with power fault not masked. Assertion of this bit sets the SHUTDN bit in <a href="#">Section 5.9.3</a> .
0	CRITTEMP	R/W	0h	Set by PMIC cleared by host. Host to write 1 to clear.  0h = Cleared 1h = PMIC was shut down due to the rise of PMIC die temperature above critical temperature threshold ( $T_{CRIT}$ ). Assertion of this bit sets the SHUTDN bit in <a href="#">Section 5.9.3</a> .



### 5.9.7 BUCK2CTRL: BUCK2 Control Register (offset = 21h) [reset = 50h]

BUCK2CTRL is shown in [Figure 5-20](#) and described in [Table 5-14](#).

Return to [Summary Table](#).

**Figure 5-20. BUCK2CTRL Register**

7	6	5	4	3	2	1	0
BUCK2_VID[6:0]							BUCK2_DECA Y
R/W-28h							R/W-0h

**Table 5-14. BUCK2CTRL Field Descriptions**

Bit	Field	Type	Reset	Description
7-1	BUCK2_VID[6:0]	R/W	28h	This field sets the BUCK2 regulator output regulation voltage in normal mode. See <a href="#">Table 5-2</a> and <a href="#">Table 5-3</a> for 10-mV and 25-mV step ranges for V <sub>OUT</sub> options.
0	BUCK2_DECA Y	R/W	0h	Decay bit  0h = The output slews down to a lower voltage set by the VID bits.  1h = The output decays down to a lower voltage set by the VID bits. Decay rate depends on total capacitance and load present at the output.

### 5.9.8 BUCK3DECAY: BUCK3 Decay Control Register (offset = 22h) [reset = 70h]

BUCK3DECAY is shown in [Figure 5-21](#) and described in [Table 5-15](#).

Return to [Summary Table](#).

**Figure 5-21. BUCK3DECAY Register**

7	6	5	4	3	2	1	0
RESERVED							BUCK3_DECA Y
R/W-38h							R/W-0h

**Table 5-15. BUCK3DECAY Field Descriptions**

Bit	Field	Type	Reset	Description
7-1	RESERVED	R/W	38h	Reserved bits are don't care bits, can be 1h or 0h.
0	BUCK3_DECA Y	R/W	0h	Decay bit  0h = The output slews down to a lower voltage set by the VID bits.  1h = The output decays down to a lower voltage set by the VID bits. Decay rate depends on total capacitance and load present at the output.

### 5.9.9 BUCK3VID: BUCK3 VID Register (offset = 23h) [reset = 70h]

BUCK3VID is shown in [Figure 5-22](#) and described in [Table 5-16](#).

Return to [Summary Table](#).

**Figure 5-22. BUCK3VID Register**

7	6	5	4	3	2	1	0
BUCK3_VID[6:0]							RESERVED
R/W-38h							R/W-0h

**Table 5-16. BUCK3VID Field Descriptions**

Bit	Field	Type	Reset	Description
7-1	BUCK3_VID[6:0]	R/W	38h	This field sets the BUCK3 regulator output regulation voltage in normal mode. See <a href="#">Table 5-2</a> and <a href="#">Table 5-3</a> for 10-mV and 25-mV step ranges for V <sub>OUT</sub> options.
0	RESERVED	R/W	0h	

### 5.9.10 BUCK3SLPCTRL: BUCK3 Sleep Control VID Register (offset = 24h) [reset = 70h]

BUCK3SLPCTRL is shown in [Figure 5-23](#) and described in [Table 5-17](#).

Return to [Summary Table](#).

**Figure 5-23. BUCK3SLPCTRL Register**

7	6	5	4	3	2	1	0
BUCK3_SLP_VID[6:0]							BUCK3_SLP_EN
R/W-38h							R/W-0h

**Table 5-17. BUCK3SLPCTRL Field Descriptions**

Bit	Field	Type	Reset	Description
7-1	BUCK3_SLP_VID[6:0]	R/W	38h	This field sets the BUCK3 regulator output regulation voltage in sleep mode. BUCK3_SLP_VID bits are copied to BUCK3_VID bits upon enters sleep mode. See <a href="#">Table 5-2</a> and <a href="#">Table 5-3</a> for 10-mV and 25-mV step ranges for V <sub>OUT</sub> options.
0	BUCK3_SLP_EN	R/W	0h	BUCK3 sleep mode enable. BUCK3 is factory configured to change to sleep mode voltage either by CTL3/SLPENB1 pin or by CTL6/SLPENB2 pin. 0h = Disable. 1h = Enable.

### 5.9.11 BUCK4CTRL: BUCK4 Control Register (offset = 25h) [reset = Dh]

BUCK4CTRL is shown in [Figure 5-24](#) and described in [Table 5-18](#).

Return to [Summary Table](#).

**Figure 5-24. BUCK4CTRL Register**

7	6	5	4	3	2	1	0
RESERVED		BUCK4_SLP_EN[1:0]		RESERVED		BUCK4_MODE	BUCK4_DIS
R-0h		R/W-0h		R/W-3h		R/W-0h	R/W-1h

**Table 5-18. BUCK4CTRL Field Descriptions**

Bit	Field	Type	Reset	Description
7-6	RESERVED	R	0h	
5-4	BUCK4_SLP_EN[1:0]	R/W	0h	BUCK4 sleep mode enable. BUCK4 is factory configured to change to sleep mode voltage either by CTL3/SLPENB1 pin or by CTL6/SLPENB2 pin. 0h = Disable. 1h = Enable. 2h = Enable. 3h = Enable.
3-2	RESERVED	R/W	3h	Reserved as 3h. 0h, 1h, and 2h will result in BUCK4 regulation ignoring BUCK4_VID and BUCK4_SLP_VID values.
1	BUCK4_MODE	R/W	0h	This field sets the BUCK4 regulator operating mode. 0h = Automatic mode 1h = Forced PWM mode
0	BUCK4_DIS	R/W	1h	BUCK4 disable bit. Writing 0 to this bit forces BUCK4 to turn off regardless of any control input pin (CTL1–CTL6) status. 0h = Disable 1h = Enable

### 5.9.12 BUCK5CTRL: BUCK5 Control Register (offset = 26h) [reset = Dh]

BUCK5CTRL is shown in [Figure 5-25](#) and described in [Table 5-19](#).

Return to [Summary Table](#).

**Figure 5-25. BUCK5CTRL Register**

7	6	5	4	3	2	1	0
RESERVED		BUCK5_SLP_EN[1:0]		RESERVED		BUCK5_MODE	BUCK5_DIS
R-0h		R/W-0h		R/W-3h		R/W-0h	R/W-1h

**Table 5-19. BUCK5CTRL Field Descriptions**

Bit	Field	Type	Reset	Description
7-6	RESERVED	R	0h	
5-4	BUCK5_SLP_EN[1:0]	R/W	0h	BUCK5 sleep mode enable. BUCK5 is factory configured to change to sleep mode voltage either by CTL3/SLPENB1 pin or by CTL6/SLPENB2 pin. 0h = Disable. 1h = Enable. 2h = Enable. 3h = Enable.
3-2	RESERVED	R/W	3h	Reserved as 3h. 0h, 1h, and 2h will result in BUCK5 regulation ignoring BUCK5_VID and BUCK5_SLP_VID values.
1	BUCK5_MODE	R/W	0h	This field sets the BUCK5 regulator operating mode. 0h = Automatic mode 1h = Forced PWM mode
0	BUCK5_DIS	R/W	1h	BUCK5 disable bit. Writing 0 to this bit forces BUCK5 to turn off regardless of any control input pin (CTL1–CTL6) status. 0h = Disable. 1h = Enable.

### 5.9.13 BUCK6CTRL: BUCK6 Control Register (offset = 27h) [reset = Dh]

BUCK6CTRL is shown in [Figure 5-26](#) and described in [Table 5-20](#).

Return to [Summary Table](#).

**Figure 5-26. BUCK6CTRL Register**

7	6	5	4	3	2	1	0
RESERVED		BUCK6_SLP_EN[1:0]		RESERVED		BUCK6_MODE	BUCK6_DIS
R-0h		R/W-0h		R/W-3h		R/W-0h	R/W-1h

**Table 5-20. BUCK6CTRL Field Descriptions**

Bit	Field	Type	Reset	Description
7-6	RESERVED	R	0h	
5-4	BUCK6_SLP_EN[1:0]	R/W	0h	BUCK6 sleep mode enable. BUCK6 is factory configured to change to sleep mode voltage either by CTL3/SLPENB1 pin or by CTL6/SLPENB2 pin. 0h = Disable. 1h = Enable. 2h = Enable. 3h = Enable.
3-2	RESERVED	R/W	3h	Reserved as 3h. 0h, 1h, and 2h will result in BUCK6 regulation ignoring BUCK6_VID and BUCK6_SLP_VID values.
1	BUCK6_MODE	R/W	0h	This field sets the BUCK6 regulator operating mode. 0h = Automatic mode 1h = Forced PWM mode
0	BUCK6_DIS	R/W	1h	BUCK6 disable bit. Writing 0 to this bit forces BUCK6 to turn off regardless of any control input pin (CTL1–CTL6) status. 0h = Disable. 1h = Enable.

### 5.9.14 LDOA2CTRL: LDOA2 Control Register (offset = 28h) [reset = Ch]

LDOA2CTRL is shown in [Figure 5-27](#) and described in [Table 5-21](#).

Return to [Summary Table](#).

**Figure 5-27. LDOA2CTRL Register**

7	6	5	4	3	2	1	0
RESERVED		LDOA2_SLP_EN[1:0]		RESERVED		LDOA2_DIS	
R-0h		R/W-0h		R/W-6h		R/W-0h	

**Table 5-21. LDOA2CTRL Field Descriptions**

Bit	Field	Type	Reset	Description
7-6	RESERVED	R	0h	
5-4	LDOA2_SLP_EN[1:0]	R/W	0h	LDOA2 sleep mode enable. LDOA2 is factory configured to change to sleep mode voltage either by CTL3/SLPENB1 pin or by CTL6/SLPENB2 pin. 0h = Disable. 1h = Enable. 2h = Enable. 3h = Enable.
3-1	RESERVED	R/W	6h	Reserved as 3h. 0h, 1h, and 2h will result in LDOA2 regulation ignoring LDOA2_VID and LDOA2_SLP_VID values.
0	LDOA2_DIS	R/W	0h	LDOA2 disable bit. Writing 0 to this bit forces LDOA2 to turn off regardless of any control input pin (CTL1–CTL6) status. 0h = Disable. 1h = Enable.

### 5.9.15 LDOA3CTRL: LDOA3 Control Register (offset = 29h) [reset = 3Ch]

LDOA3CTRL is shown in [Figure 5-28](#) and described in [Table 5-22](#).

Return to [Summary Table](#).

**Figure 5-28. LDOA3CTRL Register**

7	6	5	4	3	2	1	0
RESERVED		LDOA3_SLP_EN[1:0]		RESERVED		LDOA3_DIS	
R-0h		R/W-3h		R/W-6h		R/W-0h	

**Table 5-22. LDOA3CTRL Field Descriptions**

Bit	Field	Type	Reset	Description
7-6	RESERVED	R	0h	
5-4	LDOA3_SLP_EN[1:0]	R/W	3h	LDOA3 sleep mode enable. LDOA3 is factory configured to change to sleep mode voltage either by CTL3/SLPENB1 pin or by CTL6/SLPENB2 pin. 0h = Disable. 1h = Enable. 2h = Enable. 3h = Enable.
3-1	RESERVED	R/W	6h	Reserved as 3h. 0h, 1h, and 2h will result in LDOA3 regulation ignoring LDOA3_VID and LDOA3_SLP_VID values.
0	LDOA3_DIS	R/W	0h	LDOA3 disable bit. Writing 0h to this bit forces LDOA3 to turn off regardless of any control input pin (CTL1–CTL6) status. 0h = Disable 1h = Enable

### 5.9.16 DISCHCTRL1: Discharge Control1 Register (offset = 40h) [reset = 55h]

DISCHCTRL1 is shown in [Figure 5-29](#) and described in [Table 5-23](#).

Return to [Summary Table](#).

All xx\_DISCHG[1:0] bits internally set to 0h whenever the corresponding VR is enabled.

**Figure 5-29. DISCHCTRL1 Register**

7	6	5	4	3	2	1	0
BUCK4_DISCHG[1:0]		BUCK3_DISCHG[1:0]		BUCK2_DISCHG[1:0]		BUCK1_DISCHG[1:0]	
R/W-1h		R/W-1h		R/W-1h		R/W-1h	

**Table 5-23. DISCHCTRL1 Field Descriptions**

Bit	Field	Type	Reset	Description
7-6	BUCK4_DISCHG[1:0]	R/W	1h	BUCK4 discharge resistance 0h = no discharge 1h = 100 $\Omega$ 2h = 200 $\Omega$ 3h = 500 $\Omega$
5-4	BUCK3_DISCHG[1:0]	R/W	1h	BUCK3 discharge resistance 0h = no discharge 1h = 100 $\Omega$ 2h = 200 $\Omega$ 3h = 500 $\Omega$
3-2	BUCK2_DISCHG[1:0]	R/W	1h	BUCK2 discharge resistance 0h = no discharge 1h = 100 $\Omega$ 2h = 200 $\Omega$ 3h = 500 $\Omega$
1-0	BUCK1_DISCHG[1:0]	R/W	1h	BUCK1 discharge resistance 0h = no discharge 1h = 100 $\Omega$ 2h = 200 $\Omega$ 3h = 500 $\Omega$



### 5.9.17 DISCHCTRL2: Discharge Control2 Register (offset = 41h) [reset = 55h]

DISCHCTRL2 is shown in [Figure 5-30](#) and described in [Table 5-24](#).

Return to [Summary Table](#).

All xx\_DISCHG[1:0] bits internally set to 0h whenever the corresponding VR is enabled.

**Figure 5-30. DISCHCTRL2 Register**

7	6	5	4	3	2	1	0
LDOA2_DISCHG[1:0]		SWA1_DISCHG[1:0]		BUCK6_DISCHG[1:0]		BUCK5_DISCHG[1:0]	
R/W-1h		R/W-1h		R/W-1h		R/W-1h	

**Table 5-24. DISCHCTRL2 Field Descriptions**

Bit	Field	Type	Reset	Description
7-6	LDOA2_DISCHG[1:0]	R/W	1h	LDOA2 discharge resistance 0h = no discharge 1h = 100 Ω 2h = 200 Ω 3h = 500 Ω
5-4	SWA1_DISCHG[1:0]	R/W	1h	SWA1 discharge resistance 0h = no discharge 1h = 100 Ω 2h = 200 Ω 3h = 500 Ω
3-2	BUCK6_DISCHG[1:0]	R/W	1h	BUCK6 discharge resistance 0h = no discharge 1h = 100 Ω 2h = 200 Ω 3h = 500 Ω
1-0	BUCK5_DISCHG[1:0]	R/W	1h	BUCK5 discharge resistance 0h = no discharge 1h = 100 Ω 2h = 200 Ω 3h = 500 Ω

### 5.9.18 DISCHCTRL3: Discharge Control3 Register (offset = 42h) [reset = 15h]

DISCHCTRL3 is shown in [Figure 5-31](#) and described in [Table 5-25](#).

Return to [Summary Table](#).

All xx\_DISCHG[1:0] bits internally set to 0h whenever the corresponding VR is enabled.

**Figure 5-31. DISCHCTRL3 Register**

7	6	5	4	3	2	1	0
RESERVED		SWB2_DISCHG[1:0]		SWB1_DISCHG[1:0]		LDOA3_DISCHG[1:0]	
R-0h		R/W-1h		R/W-1h		R/W-1h	

**Table 5-25. DISCHCTRL3 Field Descriptions**

Bit	Field	Type	Reset	Description
7-6	RESERVED	R	0h	
5-4	SWB2_DISCHG[1:0]	R/W	1h	SWB2 discharge resistance 0h = no discharge 1h = 100 $\Omega$ 2h = 200 $\Omega$ 3h = 500 $\Omega$
3-2	SWB1_DISCHG[1:0]	R/W	1h	SWB1 discharge resistance 0h = no discharge 1h = 100 $\Omega$ 2h = 200 $\Omega$ 3h = 500 $\Omega$
1-0	LDOA3_DISCHG[1:0]	R/W	1h	LDOA3 discharge resistance 0h = no discharge 1h = 100 $\Omega$ 2h = 200 $\Omega$ 3h = 500 $\Omega$

### 5.9.19 PG\_DELAY1: Power Good Delay1 Register (offset = 43h) [reset = 0h]

PG\_DELAY1 is shown in [Figure 5-32](#) and described in [Table 5-26](#).

Return to [Summary Table](#).

Programmable power good delay for GPO3 pin, measured from the moment when all VRs assigned to GPO3 pin reach their regulation range to power good assertion. This register is optional as the PMIC can be programmed for system PG, level shifter or I<sup>2</sup>C controller GPO.

**Figure 5-32. PG\_DELAY1 Register**

7	6	5	4	3	2	1	0
RESERVED					GPO3_PG_DELAY[2:0]		
R-0h					R/W-0h		

**Table 5-26. PG\_DELAY1 Field Descriptions**

Bit	Field	Type	Reset	Description
7-3	RESERVED	R	0h	
2-0	GPO3_PG_DELAY[2:0]	R/W	0h	<p>Programmable delay power good or level shifter for GPO3 pin. Measured from the moment when all rails grouped to this pin reach their regulation range. All values have <math>\pm 10\%</math> variation. Register not used (GPO3 controlled by I<sup>2</sup>C)</p> <p>0h = 2.5 ms            1h = 5 ms            2h = 10 ms            3h = 15 ms            4h = 20 ms            5h = 50 ms            6h = 75 ms            7h = 100 ms</p>

**5.9.20 FORCESHUTDN: Force Emergency Shutdown Control Register (offset = 91h) [reset = 0h]**

FORCESHUTDN is shown in [Figure 5-33](#) and described in [Table 5-27](#).

Return to [Summary Table](#).

**Figure 5-33. FORCESHUTDN Register**

7	6	5	4	3	2	1	0
RESERVED							SDWN
R-0h							R/W-0h

**Table 5-27. FORCESHUTDN Field Descriptions**

Bit	Field	Type	Reset	Description
7-1	RESERVED	R	0h	
0	SDWN	R/W	0h	Forces reset of the PMIC and reset of all registers. The bit is self-clearing. 0h = No action. 1h = PMIC is forced to shut down.

### 5.9.21 BUCK2SLPCTRL: BUCK2 Sleep Control Register (offset = 93h) [reset = 50h]

BUCK2SLPCTRL is shown in [Figure 5-34](#) and described in [Table 5-28](#).

Return to [Summary Table](#).

**Figure 5-34. BUCK2SLPCTRL Register**

7	6	5	4	3	2	1	0
BUCK2_SLP_VID[6:0]							BUCK2_SLP_EN
R/W-28h							R/W-0h

**Table 5-28. BUCK2SLPCTRL Field Descriptions**

Bit	Field	Type	Reset	Description
7-1	BUCK2_SLP_VID[6:0]	R/W	28h	This field sets the BUCK2 regulator output regulation voltage in sleep mode. Mapping between bits and output voltage is defined as in <a href="#">Section 5.9.7</a> .
0	BUCK2_SLP_EN	R/W	0h	BUCK2 sleep mode enable. BUCK2 is factory configured to change to sleep mode voltage either by CTL3/SLPENB1 pin or by CTL6/SLPENB2 pin.  0h = Disable. 1h = Enable.

### 5.9.22 BUCK4VID: BUCK4 VID Register (offset = 94h) [reset = 20h]

BUCK4VID is shown in [Figure 5-35](#) and described in [Table 5-29](#).

Return to [Summary Table](#).

**Figure 5-35. BUCK4VID Register**

7	6	5	4	3	2	1	0
BUCK4_VID[6:0]							BUCK4_DECAY
R/W-10h							R/W-0h

**Table 5-29. BUCK4VID Field Descriptions**

Bit	Field	Type	Reset	Description
7-1	BUCK4_VID[6:0]	R/W	10h	This field sets the BUCK4 regulator output regulation voltage in normal mode. See <a href="#">Table 5-2</a> and <a href="#">Table 5-3</a> for 10-mV and 25-mV step ranges for V <sub>OUT</sub> options.
0	BUCK4_DECAY	R/W	0h	Decay bit  0h = The output slews down to a lower voltage set by the VID bits.  1h = The output decays down to a lower voltage set by the VID bits. Decay rate depends on total capacitance and load present at the output.

### 5.9.23 BUCK4SLPVID: BUCK4 Sleep VID Register (offset = 95h) [reset = 20h]

BUCK4SLPVID is shown in [Figure 5-36](#) and described in [Table 5-30](#).

Return to [Summary Table](#).

**Figure 5-36. BUCK4SLPVID Register**

7	6	5	4	3	2	1	0
BUCK4_SLP_VID[6:0]							RESERVED
R/W-10h							R-0h

**Table 5-30. BUCK4SLPVID Field Descriptions**

Bit	Field	Type	Reset	Description
7-1	BUCK4_SLP_VID[6:0]	R/W	10h	This field sets the BUCK4 regulator output regulation voltage in sleep mode. See <a href="#">Table 5-2</a> and <a href="#">Table 5-3</a> for 10-mV and 25-mV step ranges for V <sub>OUT</sub> options.
0	RESERVED	R	0h	

### 5.9.24 BUCK5VID: BUCK5 VID Register (offset = 96h) [reset = 70h]

BUCK5VID is shown in [Figure 5-37](#) and described in [Table 5-31](#).

Return to [Summary Table](#).

**Figure 5-37. BUCK5VID Register**

7	6	5	4	3	2	1	0
BUCK5_VID[6:0]							BUCK5_DECA Y
R/W-38h							R/W-0h

**Table 5-31. BUCK5VID Field Descriptions**

Bit	Field	Type	Reset	Description
7-1	BUCK5_VID[6:0]	R/W	38h	This field sets the BUCK5 regulator output regulation voltage in normal mode. See <a href="#">Table 5-2</a> and <a href="#">Table 5-3</a> for 10-mV and 25-mV step ranges for V <sub>OUT</sub> options.
0	BUCK5_DECA Y	R/W	0h	Decay bit  0h = The output slews down to a lower voltage set by the VID bits.  1h = The output decays down to a lower voltage set by the VID bits. Decay rate depends on total capacitance and load present at the output.

### 5.9.25 BUCK5SLPVID: BUCK5 Sleep VID Register (offset = 97h) [reset = E8h]

BUCK5SLPVID is shown in [Figure 5-38](#) and described in [Table 5-32](#).

Return to [Summary Table](#).

**Figure 5-38. BUCK5SLPVID Register**

7	6	5	4	3	2	1	0
BUCK5_SLP_VID[6:0]							RESERVED
R/W-74h							R-0h

**Table 5-32. BUCK5SLPVID Field Descriptions**

Bit	Field	Type	Reset	Description
7-1	BUCK5_SLP_VID[6:0]	R/W	74h	This field sets the BUCK5 regulator output regulation voltage in sleep mode. See <a href="#">Table 5-2</a> and <a href="#">Table 5-3</a> for 10-mV and 25-mV step ranges for V <sub>OUT</sub> options.
0	RESERVED	R	0h	

### 5.9.26 BUCK6VID: BUCK6 VID Register (offset = 98h) [reset = E8h]

BUCK6VID is shown in [Figure 5-39](#) and described in [Table 5-33](#).

Return to [Summary Table](#).

**Figure 5-39. BUCK6VID Register**

7	6	5	4	3	2	1	0
BUCK6_VID[6:0]							BUCK6_DECA Y
R/W-74h							R/W-0h

**Table 5-33. BUCK6VID Field Descriptions**

Bit	Field	Type	Reset	Description
7-1	BUCK6_VID[6:0]	R/W	74h	This field sets the BUCK6 regulator output regulation voltage in normal mode. See <a href="#">Table 5-2</a> and <a href="#">Table 5-3</a> for 10-mV and 25-mV step ranges for V <sub>OUT</sub> options.
0	BUCK6_DECAY	R/W	0h	Decay bit  0h = The output slews down to a lower voltage set by the VID bits.  1h = The output decays down to a lower voltage set by the VID bits. Decay rate depends on total capacitance and load present at the output.

### 5.9.27 BUCK6SLPVID: BUCK6 Sleep VID Register (offset = 99h) [reset = E8h]

BUCK6SLPVID is shown in [Figure 5-40](#) and described in [Table 5-34](#).

Return to [Summary Table](#).

**Figure 5-40. BUCK6SLPVID Register**

7	6	5	4	3	2	1	0
BUCK6_SLP_VID[6:0]							RESERVED
R/W-74h							R-0h

**Table 5-34. BUCK6SLPVID Field Descriptions**

Bit	Field	Type	Reset	Description
7-1	BUCK6_SLP_VID[6:0]	R/W	74h	This field sets the BUCK6 regulator output regulation voltage in normal mode. See <a href="#">Table 5-2</a> and <a href="#">Table 5-3</a> for 10-mV and 25-mV step ranges for V <sub>OUT</sub> options.
0	RESERVED	R	0h	

### 5.9.28 LDOA2VID: LDOA2 VID Register (offset = 9Ah) [reset = FFh]

LDOA2VID is shown in [Figure 5-41](#) and described in [Table 5-35](#).

Return to [Summary Table](#).

**Figure 5-41. LDOA2VID Register**

7	6	5	4	3	2	1	0
LDOA2_SLP_VID[3:0]				LDOA2_VID[3:0]			
R/W-Fh				R/W-Fh			

**Table 5-35. LDOA2VID Field Descriptions**

Bit	Field	Type	Reset	Description
7-4	LDOA2_SLP_VID[3:0]	R/W	Fh	This field sets the LDOA2 regulator output regulation voltage in sleep mode. See <a href="#">Table 5-5</a> for V <sub>OUT</sub> options.
3-0	LDOA2_VID[3:0]	R/W	Fh	This field sets the LDOA2 regulator output regulation voltage in normal mode. See <a href="#">Table 5-5</a> for V <sub>OUT</sub> options.



### 5.9.29 LDOA3VID: LDOA3 VID Register (offset = 9Bh) [reset = AAh]

LDOA3VID is shown in [Figure 5-42](#) and described in [Table 5-36](#).

Return to [Summary Table](#).

**Figure 5-42. LDOA3VID Register**

7	6	5	4	3	2	1	0
LDOA3_SLP_VID[3:0]				LDOA3_VID[3:0]			
R/W-Ah				R/W-Ah			

**Table 5-36. LDOA3VID Field Descriptions**

Bit	Field	Type	Reset	Description
7-4	LDOA3_SLP_VID[3:0]	R/W	Ah	This field sets the LDOA3 regulator output regulation voltage in sleep mode. See <a href="#">Table 5-5</a> for V <sub>OUT</sub> options.
3-0	LDOA3_VID[3:0]	R/W	Ah	This field sets the LDOA3 regulator output regulation voltage in normal mode. See <a href="#">Table 5-5</a> for V <sub>OUT</sub> options.

### 5.9.30 BUCK123CTRL: BUCK1-3 Control Register (offset = 9Ch) [reset = 7h]

BUCK123CTRL is shown in [Figure 5-43](#) and described in [Table 5-37](#).

Return to [Summary Table](#).

**Figure 5-43. BUCK123CTRL Register**

7	6	5	4	3	2	1	0
SPARE	BUCK3_MODE	BUCK2_MODE	BUCK1_MODE	BUCK3_DIS	BUCK2_DIS	BUCK1_DIS	
R/W-0h	R/W-0h	R/W-0h	R/W-0h	R/W-1h	R/W-1h	R/W-1h	R/W-1h

**Table 5-37. BUCK123CTRL Field Descriptions**

Bit	Field	Type	Reset	Description
7-6	SPARE	R/W	0h	Spare bits.
5	BUCK3_MODE	R/W	0h	This field sets the BUCK3 regulator operating mode. 0h = Automatic mode 1h = Forced PWM mode
4	BUCK2_MODE	R/W	0h	This field sets the BUCK2 regulator operating mode. 0h = Automatic mode 1h = Forced PWM mode
3	BUCK1_MODE	R/W	0h	This field sets the BUCK1 regulator operating mode. 0h = Automatic mode 1h = Forced PWM mode
2	BUCK3_DIS	R/W	1h	BUCK3 disable bit. Writing 0 to this bit forces BUCK3 to turn off regardless of any control input pin (CTL1–CTL6) status. 0h = Disable 1h = Enable
1	BUCK2_DIS	R/W	1h	BUCK2 disable bit. Writing 0 to this bit forces BUCK2 to turn off regardless of any control input pin (CTL1–CTL6) status. 0h = Disable 1h = Enable
0	BUCK1_DIS	R/W	1h	BUCK1 disable bit. Writing 0 to this bit forces BUCK1 to turn off regardless of any control input pin (CTL1–CTL6) status. 0h = Disable 1h = Enable

### 5.9.31 PG\_DELAY2: Power Good Delay2 Register (offset = 9Dh) [reset = 21h]

PG\_DELAY2 is shown in [Figure 5-44](#) and described in [Table 5-38](#).

Return to [Summary Table](#).

Programmable Power Good delay for GPO1, GPO2, and GPO4 pins, measured from the moment when all VRs assigned to respective GPO reach their regulation range to Power Good assertion. This is an optional register as the PMIC can be programmed for system PG, level shifter or I<sup>2</sup>C controller GPO.

**Figure 5-44. PG\_DELAY2 Register**

7	6	5	4	3	2	1	0
GPO2_PG_DELAY[2:0]			GPO4_PG_DELAY[2:0]			GPO1_PG_DELAY[1:0]	
R/W-1h			R/W-0h			R/W-1h	

**Table 5-38. PG\_DELAY2 Field Descriptions**

Bit	Field	Type	Reset	Description
7-5	GPO2_PG_DELAY[2:0]	R/W	1h	Programmable delay power good or level shifter for GPO2 pin. Measured from the moment when all rails grouped to this pin reach their regulation range. All values have $\pm 10\%$ variation.  0h = 0 ms 1h = 5 ms 2h = 10 ms 3h = 15 ms 4h = 20 ms 5h = 50 ms 6h = 75 ms 7h = 100 ms
4-2	GPO4_PG_DELAY[2:0]	R/W	0h	Programmable delay power good or level shifter for GPO4 pin. Measured from the moment when all rails grouped to this pin reach their regulation range. All values have $\pm 10\%$ variation  0h = 0 ms 1h = 5 ms 2h = 10 ms 3h = 15 ms 4h = 20 ms 5h = 50 ms 6h = 75 ms 7h = 100 ms
1-0	GPO1_PG_DELAY[1:0]	R/W	1h	Programmable delay power good or level shifter for GPO1 pin. Measured from the moment when all rails grouped to this pin reach their regulation range. All values have $\pm 10\%$ variation  0h = 0 ms 1h = 5 ms 2h = 10 ms 3h = 15 ms

### 5.9.32 SWVTT\_DIS: SWVTT Disable Register (offset = 9Fh) [reset = 0h]

SWVTT\_DIS is shown in [Figure 5-45](#) and described in [Table 5-39](#).

Return to [Summary Table](#).

**Figure 5-45. SWVTT\_DIS Register**

7	6	5	4	3	2	1	0
SWB2_DIS	SWB1_DIS	SWA1_DIS	VTT_DIS	RESERVED			
R/W-0h	R/W-0h	R/W-0h	R/W-0h	R/W-0h			

**Table 5-39. SWVTT\_DIS Field Descriptions**

Bit	Field	Type	Reset	Description
7	SWB2_DIS	R/W	0h	SWB2 disable bit. Writing 0h to this bit forces SWB2 to turn off regardless of any control input pin (CTL1–CTL6) status. 0h = Disable. 1h = Enable.
6	SWB1_DIS	R/W	0h	SWB1 disable bit. Writing 0 to this bit forces SWB1 to turn off regardless of any control input pin (CTL1–CTL6) status. 0h = Disable. 1h = Enable.
5	SWA1_DIS	R/W	0h	SWA1 disable bit. Writing 0 to this bit forces SWA1 to turn off regardless of any control input pin (CTL1–CTL6) status. 0h = Disable. 1h = Enable.
4	VTT_DIS	R/W	0h	VTT Disable Bit. Writing 0 to this bit forces VTT to turn off regardless of any control input pin (CTL1–CTL6) status. 0h = Disable. 1h = Enable.
3-0	Reserved	R/W	0h	Reserved, Keep bit set to 0h at all times. Do not write to 1h.

### 5.9.33 I2C\_RAIL\_EN1: VR Pin Enable Override1 Register (offset = A0h) [reset = 80h]

I2C\_RAIL\_EN1 is shown in [Figure 5-46](#) and described in [Table 5-40](#).

Return to [Summary Table](#).

**Figure 5-46. I2C\_RAIL\_EN1 Register**

7	6	5	4	3	2	1	0
LDOA2_EN	SWA1_EN	BUCK6_EN	BUCK5_EN	BUCK4_EN	BUCK3_EN	BUCK2_EN	BUCK1_EN
R/W-1h	R/W-0h	R/W-0h	R/W-0h	R/W-0h	R/W-0h	R/W-0h	R/W-0h

**Table 5-40. I2C\_RAIL\_EN1 Field Descriptions**

Bit	Field	Type	Reset	Description
7	LDOA2_EN	R/W	1h	LDOA2 I <sup>2</sup> C enable 0h = LDOA2 is enabled or disabled by one of the control input pins or internal PG signal. 1h = LDOA2 is forced on unless LDOA2_DIS = 0.
6	SWA1_EN	R/W	0h	SWA1 I <sup>2</sup> C enable 0h = SWA1 is enabled or disabled by one of the control input pins or internal PG signal. 1h = SWA1 is forced on unless SWA1_DIS = 0.
5	BUCK6_EN	R/W	0h	BUCK6 I <sup>2</sup> C enable 0h = BUCK6 is enabled or disabled by one of the control input pins or internal PG signal. 1h = BUCK6 is forced on unless BUCK6_DIS = 0.
4	BUCK5_EN	R/W	0h	BUCK5 I <sup>2</sup> C enable 0h = BUCK5 is enabled or disabled by one of the control input pins or internal PG signal. 1h = BUCK5 is forced on unless BUCK5_DIS = 0.
3	BUCK4_EN	R/W	0h	BUCK4 I <sup>2</sup> C enable 0h = BUCK4 is enabled or disabled by one of the control input pins or internal PG signal. 1h = BUCK4 is forced on unless BUCK4_DIS = 0.
2	BUCK3_EN	R/W	0h	BUCK3 I <sup>2</sup> C enable 0h = BUCK3 is enabled or disabled by one of the control input pins or internal PG signal. 1h = BUCK3 is forced on unless BUCK3_DIS = 0.
1	BUCK2_EN	R/W	0h	BUCK2 I <sup>2</sup> C enable 0h = BUCK2 is enabled or disabled by one of the control input pins or internal PG signal. 1h = BUCK2 is forced on unless BUCK2_DIS = 0.
0	BUCK1_EN	R/W	0h	BUCK1 I <sup>2</sup> C enable 0h = BUCK1 is enabled or disabled by one of the control input pins or internal PG signal. 1h = BUCK1 is forced on unless BUCK1_DIS = 0.

### 5.9.34 I2C\_RAIL\_EN2/GPOCTRL: VR Pin Enable Override2/GPO Control Register (offset = A1h) [reset = 89h]

I2C\_RAIL\_EN2/GPOCTRL is shown in [Figure 5-47](#) and described in [Table 5-41](#).

Return to [Summary Table](#).

**Figure 5-47. I2C\_RAIL\_EN2/GPOCTRL Register**

7	6	5	4	3	2	1	0
GPO4_LVL	GPO3_LVL	GPO2_LVL	GPO1_LVL	VTT_EN	SWB2_EN	SWB1_EN	LDOA3_EN
R/W-1h	R/W-0h	R/W-0h	R/W-0h	R/W-1h	R/W-0h	R/W-0h	R/W-1h

**Table 5-41. I2C\_RAIL\_EN2/GPOCTRL Field Descriptions**

Bit	Field	Type	Reset	Description
7	GPO4_LVL	R/W	1h	The field is to set GPO4 pin output if the pin is factory-configured as an open-drain general-purpose output. 0h = The pin is driven to logic low. 1h = The pin is driven to logic high.
6	GPO3_LVL	R/W	0h	The field is to set GPO3 pin output if the pin is factory-configured as either an open-drain or a push-pull general-purpose output. 0h = The pin is driven to logic low. 1h = The pin is driven to logic high.
5	GPO2_LVL	R/W	0h	The field is to set GPO2 pin output if the pin is factory-configured as either an open-drain or a push-pull general-purpose output. 0h = The pin is driven to logic low. 1h = The pin is driven to logic high.
4	GPO1_LVL	R/W	0h	The field is to set GPO1 pin output if the pin is factory-configured as either an open-drain or a push-pull general-purpose output. 0h = The pin is driven to logic low. 1h = The pin is driven to logic high.
3	VTT_EN	R/W	1h	VTT LDO I <sup>2</sup> C enable 0h = VTT LDO is enabled or disabled by one of the control input pins or internal PG signals. 1h = VTT LDO is forced on unless VTT_DIS = 0.
2	SWB2_EN	R/W	0h	SWB2 I <sup>2</sup> C enable 0h = SWB2 is enabled or disabled by one of the control input pins or internal PG signals. 1h = SWB2 is forced on unless SWB2_DIS = 0.
1	SWB1_EN	R/W	0h	SWB1 I <sup>2</sup> C enable 0h = SWB1 is enabled or disabled by one of the control input pins or internal PG signals. 1h = SWB1 is forced on unless SWB1_DIS = 0.
0	LDOA3_EN	R/W	1h	LDOA3 I <sup>2</sup> C enable 0h = LDOA3 is enabled or disabled by one of the control input pins or internal PG signals. 1h = LDOA3 is forced on unless LDOA3_DIS = 0.

### 5.9.35 PWR\_FAULT\_MASK1: VR Power Fault Mask1 Register (offset = A2h) [reset = C0h]

PWR\_FAULT\_MASK1 is shown in [Figure 5-48](#) and described in [Table 5-42](#).

Return to [Summary Table](#).

**Figure 5-48. PWR\_FAULT\_MASK1 Register**

7	6	5	4	3	2	1	0
LDOA2_FLTMSK	SWA1_FLTMSK	BUCK6_FLTMSK	BUCK5_FLTMSK	BUCK4_FLTMSK	BUCK3_FLTMSK	BUCK2_FLTMSK	BUCK1_FLTMSK
R/W-1h	R/W-0h	R/W-0h	R/W-0h	R/W-0h	R/W-0h	R/W-0h	R/W-0h

**Table 5-42. PWR\_FAULT\_MASK1 Field Descriptions**

Bit	Field	Type	Reset	Description
7	LDOA2_FLTMSK	R/W	1h	LDOA2 power fault mask. When masked, power fault from LDOA2 does not cause PMIC to shutdown. 0h = Not masked 1h = Masked
6	SWA1_FLTMSK	R/W	0h	SWA1 power fault mask. When masked, power fault from SWA1 does not cause PMIC to shutdown. 0h = Not masked 1h = Masked
5	BUCK6_FLTMSK	R/W	0h	BUCK6 power fault mask. When masked, power fault from BUCK6 does not cause PMIC to shutdown. 0h = Not masked 1h = Masked
4	BUCK5_FLTMSK	R/W	0h	BUCK5 power fault mask. When masked, power fault from BUCK5 does not cause PMIC to shutdown. 0h = Not masked 1h = Masked
3	BUCK4_FLTMSK	R/W	0h	BUCK4 power fault mask. When masked, power fault from BUCK4 does not cause PMIC to shutdown. 0h = Not masked 1h = Masked
2	BUCK3_FLTMSK	R/W	0h	BUCK3 power fault mask. When masked, power fault from BUCK3 does not cause PMIC to shutdown. 0h = Not masked 1h = Masked
1	BUCK2_FLTMSK	R/W	0h	BUCK2 power fault mask. When masked, power fault from BUCK2 does not cause PMIC to shutdown. 0h = Not masked 1h = Masked
0	BUCK1_FLTMSK	R/W	0h	BUCK1 power fault mask. When masked, power fault from BUCK1 does not cause PMIC to shutdown. 0h = Not masked 1h = Masked

### 5.9.36 PWR\_FAULT\_MASK2: VR Power Fault Mask2 Register (offset = A3h) [reset = 3Fh]

PWR\_FAULT\_MASK2 is shown in [Figure 5-49](#) and described in [Table 5-43](#).

Return to [Summary Table](#).

**Figure 5-49. PWR\_FAULT\_MASK2 Register**

7	6	5	4	3	2	1	0
RESERVED			LDOA1_FLTMS K	VTT_FLTMSK	SWB2_FLTMS K	SWB1_FLTMS K	LDOA3_FLTMS K
R-1h			R/W-1h	R/W-1h	R/W-1h	R/W-1h	R/W-1h

**Table 5-43. PWR\_FAULT\_MASK2 Field Descriptions**

Bit	Field	Type	Reset	Description
7-5	RESERVED	R	1h	
4	LDOA1_FLTMSK	R/W	1h	LDOA1 power fault mask. When masked, power fault from LDOA1 does not cause PMIC to shutdown. 0h = Not masked 1h = Masked
3	VTT_FLTMSK	R/W	1h	VTT LDO Power Fault Mask. When masked, power fault from VTT LDO does not cause PMIC to shutdown. 0h = Not masked 1h = Masked
2	SWB2_FLTMSK	R/W	1h	SWB2 power fault mask. When masked, power fault from SWB2 does not cause PMIC to shutdown. 0h = Not masked 1h = Masked
1	SWB1_FLTMSK	R/W	1h	SWB1 power fault mask. When masked, power fault from SWB1 does not cause PMIC to shutdown. 0h = Not masked 1h = Masked
0	LDOA3_FLTMSK	R/W	1h	LDOA3 power fault mask. When masked, power fault from LDOA3 does not cause PMIC to shutdown. 0h = Not masked 1h = Masked



### 5.9.37 GPO1PG\_CTRL1: GPO1 PG Control1 Register (offset = A4h) [reset = C2h]

GPO1PG\_CTRL1 is shown in [Figure 5-50](#) and described in [Table 5-44](#).

Return to [Summary Table](#).

**Figure 5-50. GPO1PG\_CTRL1 Register**

7	6	5	4	3	2	1	0
LDOA2_MSK	SWA1_MSK	BUCK6_MSK	BUCK5_MSK	BUCK4_MSK	BUCK3_MSK	BUCK2_MSK	BUCK1_MSK
R/W-1h	R/W-1h	R/W-0h	R/W-0h	R/W-0h	R/W-0h	R/W-1h	R/W-0h

**Table 5-44. GPO1PG\_CTRL1 Field Descriptions**

Bit	Field	Type	Reset	Description
7	LDOA2_MSK	R/W	1h	0h = LDOA2 PG is part of power good tree of GPO1 pin. 1h = LDOA2 PG is NOT part of power good tree of GPO1 pin and is ignored.
6	SWA1_MSK	R/W	1h	0h = SWA1 PG is part of power good tree of GPO1 pin. 1h = SWA1 PG is NOT part of power good tree of GPO1 pin and is ignored.
5	BUCK6_MSK	R/W	0h	0h = BUCK6 PG is part of power good tree of GPO1 pin. 1h = BUCK6 PG is NOT part of power good tree of GPO1 pin and is ignored.
4	BUCK5_MSK	R/W	0h	0h = BUCK5 PG is part of power good tree of GPO1 pin. 1h = BUCK5 PG is NOT part of power good tree of GPO1 pin and is ignored.
3	BUCK4_MSK	R/W	0h	0h = BUCK4 PG is part of power good tree of GPO1 pin. 1h = BUCK4 PG is NOT part of power good tree of GPO1 pin and is ignored.
2	BUCK3_MSK	R/W	0h	0h = BUCK3 PG is part of power good tree of GPO1 pin. 1h = BUCK3 PG is NOT part of power good tree of GPO1 pin and is ignored.
1	BUCK2_MSK	R/W	1h	0h = BUCK2 PG is part of power good tree of GPO1 pin. 1h = BUCK2 PG is NOT part of power good tree of GPO1 pin and is ignored.
0	BUCK1_MSK	R/W	0h	0h = BUCK1 PG is part of power good tree of GPO1 pin. 1h = BUCK1 PG is NOT part of power good tree of GPO1 pin and is ignored.

### 5.9.38 GPO1PG\_CTRL2: GPO1 PG Control2 Register (offset = A5h) [reset = AFh]

GPO1PG\_CTRL2 is shown in [Figure 5-51](#) and described in [Table 5-45](#).

Return to [Summary Table](#).

**Figure 5-51. GPO1PG\_CTRL2 Register**

7	6	5	4	3	2	1	0
CTL5_MSK	CTL4_MSK	CTL2_MSK	CTL1_MSK	VTT_MSK	SWB2_MSK	SWB1_MSK	LDOA3_MSK
R/W-1h	R/W-0h	R/W-1h	R/W-0h	R/W-1h	R/W-1h	R/W-1h	R/W-1h

**Table 5-45. GPO1PG\_CTRL2 Field Descriptions**

Bit	Field	Type	Reset	Description
7	CTL5_MSK	R/W	1h	0h = CTL5 pin status is part of power good tree of GPO1 pin. 1h = CTL5 pin status is NOT part of power good tree of GPO1 pin and is ignored.
6	CTL4_MSK	R/W	0h	0h = CTL4 pin status is part of power good tree of GPO1 pin. 1h = CTL4 pin status is NOT part of power good tree of GPO1 pin and is ignored.
5	CTL2_MSK	R/W	1h	0h = CTL2 pin status is part of power good tree of GPO1 pin. 1h = CTL2 pin status is NOT part of power good tree of GPO1 pin and is ignored.
4	CTL1_MSK	R/W	0h	0h = CTL1 pin status is part of power good tree of GPO1 pin. 1h = CTL1 pin status is NOT part of power good tree of GPO1 pin and is ignored.
3	VTT_MSK	R/W	1h	0h = VTT LDO PG is part of power good tree of GPO1 pin. 1h = VTT LDO PG is NOT part of power good tree of GPO1 pin and is ignored.
2	SWB2_MSK	R/W	1h	0h = SWB2 pin status is part of power good tree of GPO1 pin. 1h = SWB2 pin status is NOT part of power good tree of GPO1 pin and is ignored.
1	SWB1_MSK	R/W	1h	0h = SWB1 PG is part of power good tree of GPO1 pin. 1h = SWB1 PG is NOT part of power good tree of GPO1 pin and is ignored.
0	LDOA3_MSK	R/W	1h	0h = LDOA3 PG is part of power good tree of GPO1 pin. 1h = LDOA3 PG is NOT part of power good tree of GPO1 pin and is ignored.

### 5.9.39 GPO4PG\_CTRL1: GPO4 PG Control1 Register (offset = A6h) [reset = 0h]

GPO4PG\_CTRL1 is shown in [Figure 5-52](#) and described in [Table 5-46](#).

Return to [Summary Table](#).

**Figure 5-52. GPO4PG\_CTRL1 Register**

7	6	5	4	3	2	1	0
LDOA2_MSK	SWA1_MSK	BUCK6_MSK	BUCK5_MSK	BUCK4_MSK	BUCK3_MSK	BUCK2_MSK	BUCK1_MSK
R/W-0h	R/W-0h	R/W-0h	R/W-0h	R/W-0h	R/W-0h	R/W-0h	R/W-0h

**Table 5-46. GPO4PG\_CTRL1 Field Descriptions**

Bit	Field	Type	Reset	Description
7	LDOA2_MSK	R/W	0h	0h = LDOA2 PG is part of power good tree of GPO4 pin. 1h = LDOA2 PG is NOT part of power good tree of GPO4 pin and is ignored.
6	SWA1_MSK	R/W	0h	0h = SWA1 PG is part of power good tree of GPO4 pin. 1h = SWA1 PG is NOT part of power good tree of GPO4 pin and is ignored.
5	BUCK6_MSK	R/W	0h	0h = BUCK6 PG is part of power good tree of GPO4 pin. 1h = BUCK6 PG is NOT part of power good tree of GPO4 pin and is ignored.
4	BUCK5_MSK	R/W	0h	0h = BUCK5 PG is part of power good tree of GPO4 pin. 1h = BUCK5 PG is NOT part of power good tree of GPO4 pin and is ignored.
3	BUCK4_MSK	R/W	0h	0h = BUCK4 PG is part of power good tree of GPO4 pin. 1h = BUCK4 PG is NOT part of power good tree of GPO4 pin and is ignored.
2	BUCK3_MSK	R/W	0h	0h = BUCK3 PG is part of power good tree of GPO4 pin. 1h = BUCK3 PG is NOT part of power good tree of GPO4 pin and is ignored.
1	BUCK2_MSK	R/W	0h	0h = BUCK2 PG is part of power good tree of GPO4 pin. 1h = BUCK2 PG is NOT part of power good tree of GPO4 pin and is ignored.
0	BUCK1_MSK	R/W	0h	0h = BUCK1 PG is part of power good tree of GPO4 pin. 1h = BUCK1 PG is NOT part of power good tree of GPO4 pin and is ignored.

### 5.9.40 GPO4PG\_CTRL2: GPO4 PG Control2 Register (offset = A7h) [reset = 0h]

GPO4PG\_CTRL2 is shown in [Figure 5-53](#) and described in [Table 5-47](#).

Return to [Summary Table](#).

**Figure 5-53. GPO4PG\_CTRL2 Register**

7	6	5	4	3	2	1	0
CTL5_MSK	CTL4_MSK	CTL2_MSK	CTL1_MSK	VTT_MSK	SWB2_MSK	SWB1_MSK	LDOA3_MSK
R/W-0h	R/W-0h	R/W-0h	R/W-0h	R/W-0h	R/W-0h	R/W-0h	R/W-0h

**Table 5-47. GPO4PG\_CTRL2 Field Descriptions**

Bit	Field	Type	Reset	Description
7	CTL5_MSK	R/W	0h	0h = CTL5 pin status is part of power good tree of GPO4 pin. 1h = CTL5 pin status is NOT part of power good tree of GPO4 pin and is ignored.
6	CTL4_MSK	R/W	0h	0h = CTL4 pin status is part of power good tree of GPO4 pin. 1h = CTL4 pin status is NOT part of power good tree of GPO4 pin and is ignored.
5	CTL2_MSK	R/W	0h	0h = CTL2 pin status is part of power good tree of GPO4 pin. 1h = CTL2 pin status is NOT part of power good tree of GPO4 pin and is ignored.
4	CTL1_MSK	R/W	0h	0h = CTL1 pin status is part of power good tree of GPO4 pin. 1h = CTL1 pin status is NOT part of power good tree of GPO4 pin and is ignored.
3	VTT_MSK	R/W	0h	0h = VTT LDO PG is part of power good tree of GPO4 pin. 1h = VTT LDO PG is NOT part of power good tree of GPO4 pin and is ignored.
2	SWB2_MSK	R/W	0h	0h = SWB2 pin status is part of power good tree of GPO4 pin. 1h = SWB2 pin status is NOT part of power good tree of GPO4 pin and is ignored.
1	SWB1_MSK	R/W	0h	0h = SWB1 PG is part of power good tree of GPO4 pin. 1h = SWB1 PG is NOT part of power good tree of GPO4 pin and is ignored.
0	LDOA3_MSK	R/W	0h	0h = LDOA3 PG is part of power good tree of GPO4 pin. 1h = LDOA3 PG is NOT part of power good tree of GPO4 pin and is ignored.

### 5.9.41 GPO2PG\_CTRL1: GPO2 PG Control1 Register (offset = A8h) [reset = C0h]

GPO2PG\_CTRL1 is shown in [Figure 5-54](#) and described in [Table 5-48](#).

Return to [Summary Table](#).

**Figure 5-54. GPO2PG\_CTRL1 Register**

7	6	5	4	3	2	1	0
LDOA2_MSK	SWA1_MSK	BUCK6_MSK	BUCK5_MSK	BUCK4_MSK	BUCK3_MSK	BUCK2_MSK	BUCK1_MSK
R/W-1h	R/W-1h	R/W-0h	R/W-0h	R/W-0h	R/W-0h	R/W-0h	R/W-0h

**Table 5-48. GPO2PG\_CTRL1 Field Descriptions**

Bit	Field	Type	Reset	Description
7	LDOA2_MSK	R/W	1h	0h = LDOA2 PG is part of power good tree of GPO2 pin. 1h = LDOA2 PG is NOT part of power good tree of GPO2 pin and is ignored.
6	SWA1_MSK	R/W	1h	0h = SWA1 PG is part of power good tree of GPO2 pin. 1h = SWA1 PG is NOT part of power good tree of GPO2 pin and is ignored.
5	BUCK6_MSK	R/W	0h	0h = BUCK6 PG is part of power good tree of GPO2 pin. 1h = BUCK6 PG is NOT part of power good tree of GPO2 pin and is ignored.
4	BUCK5_MSK	R/W	0h	0h = BUCK5 PG is part of power good tree of GPO2 pin. 1h = BUCK5 PG is NOT part of power good tree of GPO2 pin and is ignored.
3	BUCK4_MSK	R/W	0h	0h = BUCK4 PG is part of power good tree of GPO2 pin. 1h = BUCK4 PG is NOT part of power good tree of GPO2 pin and is ignored.
2	BUCK3_MSK	R/W	0h	0h = BUCK3 PG is part of power good tree of GPO2 pin. 1h = BUCK3 PG is NOT part of power good tree of GPO2 pin and is ignored.
1	BUCK2_MSK	R/W	0h	0h = BUCK2 PG is part of power good tree of GPO2 pin. 1h = BUCK2 PG is NOT part of power good tree of GPO2 pin and is ignored.
0	BUCK1_MSK	R/W	0h	0h = BUCK1 PG is part of power good tree of GPO2 pin. 1h = BUCK1 PG is NOT part of power good tree of GPO2 pin and is ignored.

### 5.9.42 GPO2PG\_CTRL2: GPO2 PG Control2 Register (offset = A9h) [reset = 2Fh]

GPO2PG\_CTRL2 is shown in [Figure 5-55](#) and described in [Table 5-49](#).

Return to [Summary Table](#).

**Figure 5-55. GPO2PG\_CTRL2 Register**

7	6	5	4	3	2	1	0
CTL5_MSK	CTL4_MSK	CTL2_MSK	CTL1_MSK	VTT_MSK	SWB2_MSK	SWB1_MSK	LDOA3_MSK
R/W-0h	R/W-0h	R/W-1h	R/W-0h	R/W-1h	R/W-1h	R/W-1h	R/W-1h

**Table 5-49. GPO2PG\_CTRL2 Field Descriptions**

Bit	Field	Type	Reset	Description
7	CTL5_MSK	R/W	0h	0h = CTL5 pin status is part of power good tree of GPO2 pin. 1h = CTL5 pin status is NOT part of power good tree of GPO2 pin and is ignored.
6	CTL4_MSK	R/W	0h	0h = CTL4 pin status is part of power good tree of GPO2 pin. 1h = CTL4 pin status is NOT part of power good tree of GPO2 pin and is ignored.
5	CTL2_MSK	R/W	1h	0h = CTL2 pin status is part of power good tree of GPO2 pin. 1h = CTL2 pin status is NOT part of power good tree of GPO2 pin and is ignored.
4	CTL1_MSK	R/W	0h	0h = CTL1 pin status is part of power good tree of GPO2 pin. 1h = CTL1 pin status is NOT part of power good tree of GPO2 pin and is ignored.
3	VTT_MSK	R/W	1h	0h = VTT LDO PG is part of power good tree of GPO2 pin. 1h = VTT LDO PG is NOT part of power good tree of GPO2 pin and is ignored.
2	SWB2_MSK	R/W	1h	0h = SWB2 pin status is part of power good tree of GPO2 pin. 1h = SWB2 pin status is NOT part of power good tree of GPO2 pin and is ignored.
1	SWB1_MSK	R/W	1h	0h = SWB1 PG is part of power good tree of GPO2 pin. 1h = SWB1 PG is NOT part of power good tree of GPO2 pin and is ignored.
0	LDOA3_MSK	R/W	1h	0h = LDOA3 PG is part of power good tree of GPO2 pin. 1h = LDOA3 PG is NOT part of power good tree of GPO2 pin and is ignored.

### 5.9.43 GPO3PG\_CTRL1: GPO3 PG Control1 Register (offset = AAh) [reset = 0h]

GPO3PG\_CTRL1 is shown in [Figure 5-56](#) and described in [Table 5-50](#).

Return to [Summary Table](#).

**Figure 5-56. GPO3PG\_CTRL1 Register**

7	6	5	4	3	2	1	0
LDOA2_MSK	SWA1_MSK	BUCK6_MSK	BUCK5_MSK	BUCK4_MSK	BUCK3_MSK	BUCK2_MSK	BUCK1_MSK
R/W-0h	R/W-0h	R/W-0h	R/W-0h	R/W-0h	R/W-0h	R/W-0h	R/W-0h

**Table 5-50. GPO3PG\_CTRL1 Field Descriptions**

Bit	Field	Type	Reset	Description
7	LDOA2_MSK	R/W	0h	0h = LDOA2 PG is part of power good tree of GPO3 pin. 1h = LDOA2 PG is NOT part of power good tree of GPO3 pin and is ignored.
6	SWA1_MSK	R/W	0h	0h = SWA1 PG is part of power good tree of GPO3 pin. 1h = SWA1 PG is NOT part of power good tree of GPO3 pin and is ignored.
5	BUCK6_MSK	R/W	0h	0h = BUCK6 PG is part of power good tree of GPO3 pin. 1h = BUCK6 PG is NOT part of power good tree of GPO3 pin and is ignored.
4	BUCK5_MSK	R/W	0h	0h = BUCK5 PG is part of power good tree of GPO3 pin. 1h = BUCK5 PG is NOT part of power good tree of GPO3 pin and is ignored.
3	BUCK4_MSK	R/W	0h	0h = BUCK4 PG is part of power good tree of GPO3 pin. 1h = BUCK4 PG is NOT part of power good tree of GPO3 pin and is ignored.
2	BUCK3_MSK	R/W	0h	0h = BUCK3 PG is part of power good tree of GPO3 pin. 1h = BUCK3 PG is NOT part of power good tree of GPO3 pin and is ignored.
1	BUCK2_MSK	R/W	0h	0h = BUCK2 PG is part of power good tree of GPO3 pin. 1h = BUCK2 PG is NOT part of power good tree of GPO3 pin and is ignored.
0	BUCK1_MSK	R/W	0h	0h = BUCK1 PG is part of power good tree of GPO3 pin. 1h = BUCK1 PG is NOT part of power good tree of GPO3 pin and is ignored.

#### 5.9.44 GPO3PG\_CTRL2: GPO3 PG Control2 Register (offset = ABh) [reset = 0h]

GPO3PG\_CTRL2 is shown in [Figure 5-57](#) and described in [Table 5-51](#).

Return to [Summary Table](#).

**Figure 5-57. GPO3PG\_CTRL2 Register**

7	6	5	4	3	2	1	0
CTL5_MSK	CTL4_MSK	CTL2_MSK	CTL1_MSK	VTT_MSK	SWB2_MSK	SWB1_MSK	LDOA3_MSK
R/W-0h	R/W-0h	R/W-0h	R/W-0h	R/W-0h	R/W-0h	R/W-0h	R/W-0h

**Table 5-51. GPO3PG\_CTRL2 Field Descriptions**

Bit	Field	Type	Reset	Description
7	CTL5_MSK	R/W	0h	0h = CTL5 pin status is part of power good tree of GPO3 pin. 1h = CTL5 pin status is NOT part of power good tree of GPO3 pin and is ignored.
6	CTL4_MSK	R/W	0h	0h = CTL4 pin status is part of power good tree of GPO3 pin. 1h = CTL4 pin status is NOT part of power good tree of GPO3 pin and is ignored.
5	CTL2_MSK	R/W	0h	0h = CTL2 pin status is part of power good tree of GPO3 pin. 1h = CTL2 pin status is NOT part of power good tree of GPO3 pin and is ignored.
4	CTL1_MSK	R/W	0h	0h = CTL1 pin status is part of power good tree of GPO3 pin. 1h = CTL1 pin status is NOT part of power good tree of GPO3 pin and is ignored.
3	VTT_MSK	R/W	0h	0h = VTT LDO PG is part of power good tree of GPO3 pin. 1h = VTT LDO PG is NOT part of power good tree of GPO3 pin and is ignored.
2	SWB2_MSK	R/W	0h	0h = SWB2 pin status is part of power good tree of GPO3 pin. 1h = SWB2 pin status is NOT part of power good tree of GPO3 pin and is ignored.
1	SWB1_MSK	R/W	0h	0h = SWB1 PG is part of power good tree of GPO3 pin. 1h = SWB1 PG is NOT part of power good tree of GPO3 pin and is ignored.
0	LDOA3_MSK	R/W	0h	0h = LDOA3 PG is part of power good tree of GPO3 pin. 1h = LDOA3 PG is NOT part of power good tree of GPO3 pin and is ignored.



### 5.9.45 MISCSYSPG Register (offset = ACh) [reset = FFh]

MISCSYSPG is shown in [Figure 5-58](#) and described in [Table 5-52](#).

Return to [Summary Table](#).

**Figure 5-58. MISCSYSPG Register**

7	6	5	4	3	2	1	0
GPO1_CTL3_MSK	GPO1_CTL6_MSK	GPO4_CTL3_MSK	GPO4_CTL6_MSK	GPO2_CTL3_MSK	GPO2_CTL6_MSK	GPO3_CTL3_MSK	GPO3_CTL6_MSK
R/W-1h	R/W-1h	R/W-1h	R/W-1h	R/W-1h	R/W-1h	R/W-1h	R/W-1h

**Table 5-52. MISCSYSPG Field Descriptions**

Bit	Field	Type	Reset	Description
7	GPO1_CTL3_MSK	R/W	1h	0h = CTL3 pin status is part of power good tree of GPO1 pin. 1h = CTL3 pin status is NOT part of power good tree of GPO1 pin.
6	GPO1_CTL6_MSK	R/W	1h	0h = CTL6 pin status is part of power good tree of GPO1 pin. 1h = CTL6 pin status is NOT part of power good tree of GPO1 pin.
5	GPO4_CTL3_MSK	R/W	1h	0h = CTL3 pin status is part of power good tree of GPO4 pin. 1h = CTL3 pin status is NOT part of power good tree of GPO4 pin.
4	GPO4_CTL6_MSK	R/W	1h	0h = CTL6 pin status is part of power good tree of GPO4 pin. 1h = CTL6 pin status is NOT part of power good tree of GPO4 pin.
3	GPO2_CTL3_MSK	R/W	1h	0h = CTL3 pin status is part of power good tree of GPO2 pin. 1h = CTL3 pin status is NOT part of power good tree of GPO2 pin.
2	GPO2_CTL6_MSK	R/W	1h	0h = CTL6 pin status is part of power good tree of GPO2 pin. 1h = CTL6 pin status is NOT part of power good tree of GPO2 pin.
1	GPO3_CTL3_MSK	R/W	1h	0h = CTL3 pin status is part of power good tree of GPO3 pin. 1h = CTL3 pin status is NOT part of power good tree of GPO3 pin.
0	GPO3_CTL6_MSK	R/W	1h	0h = CTL6 pin status is part of power good tree of GPO3 pin. 1h = CTL6 pin status is NOT part of power good tree of GPO3 pin.

### 5.9.46 LDOA1CTRL: LDOA1 Control Register (offset = AEh) [reset = 7Dh]

LDOA1CTRL is shown in [Figure 5-59](#) and described in [Table 5-53](#).

Return to [Summary Table](#).

**Figure 5-59. LDOA1CTRL Register**

7	6	5	4	3	2	1	0
LDOA1_DISCHG[1:0]		LDOA1_SDWN_CONFIG	LDOA1_VID[3:0]				LDOA1_EN
R/W-1h		R/W-1h	R/W-Eh				R/W-1h

**Table 5-53. LDOA1CTRL Field Descriptions**

Bit	Field	Type	Reset	Description
7-6	LDOA1_DISCHG[1:0]	R/W	1h	LDOA1 discharge resistance 0h = no discharge 1h = 100 $\Omega$ 2h = 200 $\Omega$ 3h = 500 $\Omega$
5	LDOA1_SDWN_CONFIG	R/W	1h	Control for Disabling LDOA1 during Emergency Shutdown 0h = LDOA1 will turn off during Emergency Shutdown for factory-programmable duration of 1 ms, 5 ms, 10 ms, or 100 ms. 1h = LDOA1 is controlled by LDOA1_EN bit only.
4-1	LDOA1_VID[3:0]	R/W	Eh	This field sets the LDOA1 regulator output regulation voltage. See <a href="#">Table 5-4</a> for V <sub>OUT</sub> options.
0	LDOA1_EN	R/W	1h	LDOA1 Enable Bit. 0h = Disable. 1h = Enable.

### 5.9.47 PG\_STATUS1: Power Good Status1 Register (offset = B0h) [reset = 0h]

PG\_STATUS1 is shown in [Figure 5-60](#) and described in [Table 5-54](#).

Return to [Summary Table](#).

**Figure 5-60. PG\_STATUS1 Register**

7	6	5	4	3	2	1	0
LDOA2_PGOOD D	SWA1_PGOOD	BUCK6_PGOOD D	BUCK5_PGOOD D	BUCK4_PGOOD D	BUCK3_PGOOD D	BUCK2_PGOOD D	BUCK1_PGOOD D
R-0h	R-0h	R-0h	R-0h	R-0h	R-0h	R-0h	R-0h

**Table 5-54. PG\_STATUS1 Field Descriptions**

Bit	Field	Type	Reset	Description
7	LDOA2_PGOOD	R	0h	LDOA2 power good status. 0h = The output is not in target regulation range. 1h = The output is in target regulation range.
6	SWA1_PGOOD	R	0h	SWA1 power good status. 0h = The output is not in target regulation range. 1h = The output is in target regulation range.
5	BUCK6_PGOOD	R	0h	BUCK6 power good status. 0h = The output is not in target regulation range. 1h = The output is in target regulation range.
4	BUCK5_PGOOD	R	0h	BUCK5 power good status. 0h = The output is not in target regulation range. 1h = The output is in target regulation range.
3	BUCK4_PGOOD	R	0h	BUCK4 power good status. 0h = The output is not in target regulation range. 1h = The output is in target regulation range.
2	BUCK3_PGOOD	R	0h	BUCK3 power good status. 0h = The output is not in target regulation range. 1h = The output is in target regulation range.
1	BUCK2_PGOOD	R	0h	BUCK2 power good status. 0h = The output is not in target regulation range. 1h = The output is in target regulation range.
0	BUCK1_PGOOD	R	0h	BUCK1 power good status. 0h = The output is not in target regulation range. 1h = The output is in target regulation range.

### 5.9.48 PG\_STATUS2: Power Good Status2 Register (offset = B1h) [reset = 0h]

PG\_STATUS2 is shown in [Figure 5-61](#) and described in [Table 5-55](#).

Return to [Summary Table](#).

**Figure 5-61. PG\_STATUS2 Register**

7	6	5	4	3	2	1	0
RESERVED	LDO5_PGOOD	LDOA1_PGOOD	VTT_PGOOD	SWB2_PGOOD	SWB1_PGOOD	LDOA3_PGOOD	
R-0h	R-0h	R-0h	R-0h	R-0h	R-0h	R-0h	R-0h

**Table 5-55. PG\_STATUS2 Field Descriptions**

Bit	Field	Type	Reset	Description
7-6	RESERVED	R	0h	
5	LDO5_PGOOD	R	0h	LDO5 Power Good status. 0h = The output is not in target regulation range. 1h = The output is in target regulation range.
4	LDOA1_PGOOD	R	0h	LDOA1 Power Good status. 0h = The output is not in target regulation range. 1h = The output is in target regulation range.
3	VTT_PGOOD	R	0h	VTT LDO Power Good status. 0h = The output is not in target regulation range. 1h = The output is in target regulation range.
2	SWB2_PGOOD	R	0h	SWB2 Power Good status. 0h = The output is not in target regulation range. 1h = The output is in target regulation range.
1	SWB1_PGOOD	R	0h	SWB1 Power Good status. 0h = The output is not in target regulation range. 1h = The output is in target regulation range.
0	LDOA3_PGOOD	R	0h	LDOA3 Power Good status. 0h = The output is not in target regulation range. 1h = The output is in target regulation range.

### 5.9.49 PWR\_FAULT\_STATUS1: Power Fault Status1 Register (offset = B2h) [reset = 0h]

PWR\_FAULT\_STATUS1 is shown in [Figure 5-62](#) and described in [Table 5-56](#).

Return to [Summary Table](#).

**Figure 5-62. PWR\_FAULT\_STATUS1 Register**

7	6	5	4	3	2	1	0
LDOA2_PWRFLT LT	SWA1_PWRFLT T	BUCK6_PWRFLT LT	BUCK5_PWRFLT LT	BUCK4_PWRFLT LT	BUCK3_PWRFLT LT	BUCK2_PWRFLT LT	BUCK1_PWRFLT LT
R/W-0h	R/W-0h	R/W-0h	R/W-0h	R/W-0h	R/W-0h	R/W-0h	R/W-0h

**Table 5-56. PWR\_FAULT\_STATUS1 Field Descriptions**

Bit	Field	Type	Reset	Description
7	LDOA2_PWRFLT	R	0h	This field indicates that LDOA2 has lost its regulation. 0h = No Fault. 1h = Power fault has occurred. The host to write 1 to clear.
6	SWA1_PWRFLT	R	0h	This field indicates that SWA1 has lost its regulation. 0h = No Fault. 1h = Power fault has occurred. The host to write 1 to clear.
5	BUCK6_PWRFLT	R	0h	This field indicates that BUCK6 has lost its regulation. 0h = No Fault. 1h = Power fault has occurred. The host to write 1 to clear.
4	BUCK5_PWRFLT	R	0h	This field indicates that BUCK5 has lost its regulation. 0h = No Fault. 1h = Power fault has occurred. The host to write 1 to clear.
3	BUCK4_PWRFLT	R	0h	This field indicates that BUCK4 has lost its regulation. 0h = No Fault. 1h = Power fault has occurred. The host to write 1 to clear.
2	BUCK3_PWRFLT	R	0h	This field indicates that BUCK3 has lost its regulation. 0h = No Fault. 1h = Power fault has occurred. The host to write 1 to clear.
1	BUCK2_PWRFLT	R	0h	This field indicates that BUCK2 has lost its regulation. 0h = No Fault. 1h = Power fault has occurred. The host to write 1 to clear.
0	BUCK1_PWRFLT	R	0h	This field indicates that BUCK1 has lost its regulation. 0h = No Fault. 1h = Power fault has occurred. The host to write 1 to clear.

### 5.9.50 PWR\_FAULT\_STATUS2: Power Fault Status2 Register (offset = B3h) [reset = 0h]

PWR\_FAULT\_STATUS2 is shown in [Figure 5-63](#) and described in [Table 5-57](#).

Return to [Summary Table](#).

**Figure 5-63. PWR\_FAULT\_STATUS2 Register**

7	6	5	4	3	2	1	0
RESERVED			LDOA1_PWRFLT LT	VTT_PWRFLT	SWB2_PWRFLT T	SWB1_PWRFLT T	LDOA3_PWRFLT LT
R-0h			R/W-0h	R/W-0h	R/W-0h	R/W-0h	R/W-0h

**Table 5-57. PWR\_FAULT\_STATUS2 Field Descriptions**

Bit	Field	Type	Reset	Description
7-5	RESERVED	R	0h	
4	LDOA1_PWRFLT	R/W	0h	This field indicates that LDOA1 has lost its regulation. 0h = No Fault. 1h = Power fault has occurred. The host to write 1 to clear.
3	VTT_PWRFLT	R/W	0h	This field indicates that VTT LDO has lost its regulation. 0h = No Fault. 1h = Power fault has occurred. The host to write 1 to clear.
4	SWB2_PWRFLT	R/W	0h	This field indicates that SWB2 has lost its regulation. 0h = No Fault. 1h = Power fault has occurred. The host to write 1 to clear.
3	SWB1_PWRFLT	R/W	0h	This field indicates that SWB1 has lost its regulation. 0h = No Fault. 1h = Power fault has occurred. The host to write 1 to clear.
0	LDOA3_PWRFLT	R/W	0h	This field indicates that LDOA3 has lost its regulation. 0h = No Fault. 1h = Power fault has occurred. The host to write 1 to clear.

### 5.9.51 TEMPCRIT: Temperature Fault Status Register (offset = B4h) [reset = 0h]

TEMPCRIT is shown in [Figure 5-64](#) and described in [Table 5-58](#).

Return to [Summary Table](#).

Asserted when an internal temperature sensor detects rise of die temperature above the CRITICAL temperature threshold ( $T_{CRIT}$ ). There are 5 temperature sensors across the die.

**Figure 5-64. TEMPCRIT Register**

7	6	5	4	3	2	1	0
RESERVED			DIE_CRIT	VTT_CRIT	TOP-RIGHT_CRIT	TOP-LEFT_CRIT	BOTTOM-RIGHT_CRIT
R-0h			R/W-0h	R/W-0h	R/W-0h	R/W-0h	R/W-0h

**Table 5-58. TEMPCRIT Field Descriptions**

Bit	Field	Type	Reset	Description
7-5	RESERVED	R	0h	
4	DIE_CRIT	R/W	0h	Temperature of rest of die has exceeded $T_{CRIT}$ . 0h = Not asserted. 1h = Asserted. The host to write 1 to clear.
3	VTT_CRIT	R/W	0h	Temperature of VTT LDO has exceeded $T_{CRIT}$ . 0h = Not asserted. 1h = Asserted. The host to write 1 to clear.
2	TOP-RIGHT_CRIT	R/W	0h	Temperature of die Top-Right has exceeded $T_{CRIT}$ . Top-Right corner of die from top view given pin1 is in Top-Left corner. 0h = Not asserted. 1h = Asserted. The host to write 1 to clear.
1	TOP-LEFT_CRIT	R/W	0h	Temperature of die Top-Left has exceeded $T_{CRIT}$ . Top-Left corner of die from top view given pin1 is in Top-Left corner. 0h = Not asserted. 1h = Asserted. The host to write 1 to clear.
0	BOTTOM-RIGHT_CRIT	R/W	0h	Temperature of die Bottom-Right has exceeded $T_{CRIT}$ . Bottom-Right corner of die from top view given pin1 is in Top-Left corner. 0h = Not asserted. 1h = Asserted. The host to write 1 to clear.

**5.9.52 TEMPHOT: Temperature Hot Status Register (offset = B5h) [reset = 0h]**

TEMPHOT is shown in [Figure 5-65](#) and described in [Table 5-59](#).

Return to [Summary Table](#).

Asserted when an internal temperature sensor detects rise of die temperature above the HOT temperature threshold ( $T_{HOT}$ ). There are 5 temperature sensors across the die.

**Figure 5-65. TEMPHOT Register**

7	6	5	4	3	2	1	0
RESERVED			DIE_HOT	VTT_HOT	TOP- RIGHT_HOT	TOP- LEFT_HOT	BOTTOM- RIGHT_HOT
R-0h			R/W-0h	R/W-0h	R/W-0h	R/W-0h	R/W-0h

**Table 5-59. TEMPHOT Field Descriptions**

Bit	Field	Type	Reset	Description
7-5	RESERVED	R	0h	
4	DIE_HOT	R/W	0h	Temperature of rest of die has exceeded $T_{HOT}$ . 0h = Not asserted. 1h = Asserted. The host to write 1 to clear.
3	VTT_HOT	R/W	0h	Temperature of VTT LDO has exceeded $T_{HOT}$ . 0h = Not asserted. 1h = Asserted. The host to write 1 to clear.
2	TOP-RIGHT_HOT	R/W	0h	Temperature of Top-Right has exceeded $T_{HOT}$ . Top-Right corner of die from top view given pin1 is in Top-Left corner. 0h = Not asserted. 1h = Asserted. The host to write 1 to clear.
1	TOP-LEFT_HOT	R/W	0h	Temperature of Top-Left has exceeded $T_{HOT}$ . Top-Left corner of die from top view given pin1 is in Top-Left corner. 0h = Not asserted. 1h = Asserted. The host to write 1 to clear.
0	BOTTOM-RIGHT_HOT	R/W	0h	Temperature of Bottom-Right has exceeded $T_{HOT}$ . Bottom-Right corner of die from top view given pin1 is in Top-Left corner. 0h = Not asserted. 1h = Asserted. The host to write 1 to clear.



### 5.9.53 OC\_STATUS: Overcurrent Fault Status Register (offset = B6h) [reset = 0h]

OC\_STATUS is shown in [Figure 5-66](#) and described in [Table 5-60](#).

Return to [Summary Table](#).

Asserted when overcurrent condition is detected from a LSD FET.

**Figure 5-66. OC\_STATUS Register**

7	6	5	4	3	2	1	0
RESERVED					BUCK6_OC	BUCK2_OC	BUCK1_OC
R-0h					R/W-0h	R/W-0h	R/W-0h

**Table 5-60. OC\_STATUS Field Descriptions**

Bit	Field	Type	Reset	Description
7-3	RESERVED	R	0h	
2	BUCK6_OC	R/W	0h	BUCK6 LSD FET overcurrent has been detected. 0h = Not asserted. 1h = Asserted. The host to write 1 to clear.
1	BUCK2_OC	R/W	0h	BUCK2 LSD FET overcurrent has been detected. 0h = Not asserted. 1h = Asserted. The host to write 1 to clear.
0	BUCK1_OC	R/W	0h	BUCK1 LSD FET overcurrent has been detected. 0h = Not asserted. 1h = Asserted. The host to write 1 to clear.

## 6 Applications, Implementation, and Layout

### NOTE

Information in the following applications sections is not part of the TI component specification, and TI does not warrant its accuracy or completeness. TI's customers are responsible for determining suitability of components for their purposes. Customers should validate and test their design implementation to confirm system functionality.

### 6.1 Application Information

The TPS6508700 device can be used in several different applications from computing, industrial interfacing and much more. [Section 6.2](#) describes the general application information and provides a more detailed description on the TPS6508700 device that powers the AMD system. [Figure 6-2](#) shows the functional block diagram for the device, which outlines the typical external connections required for proper device functionality.

### 6.2 Typical Application

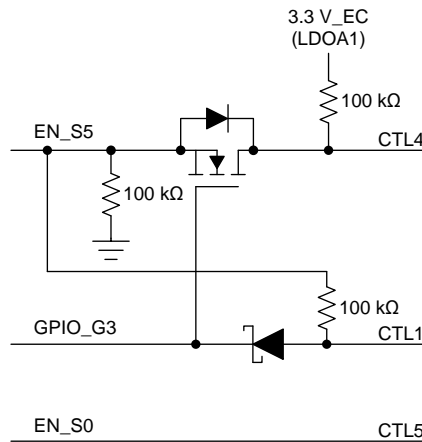
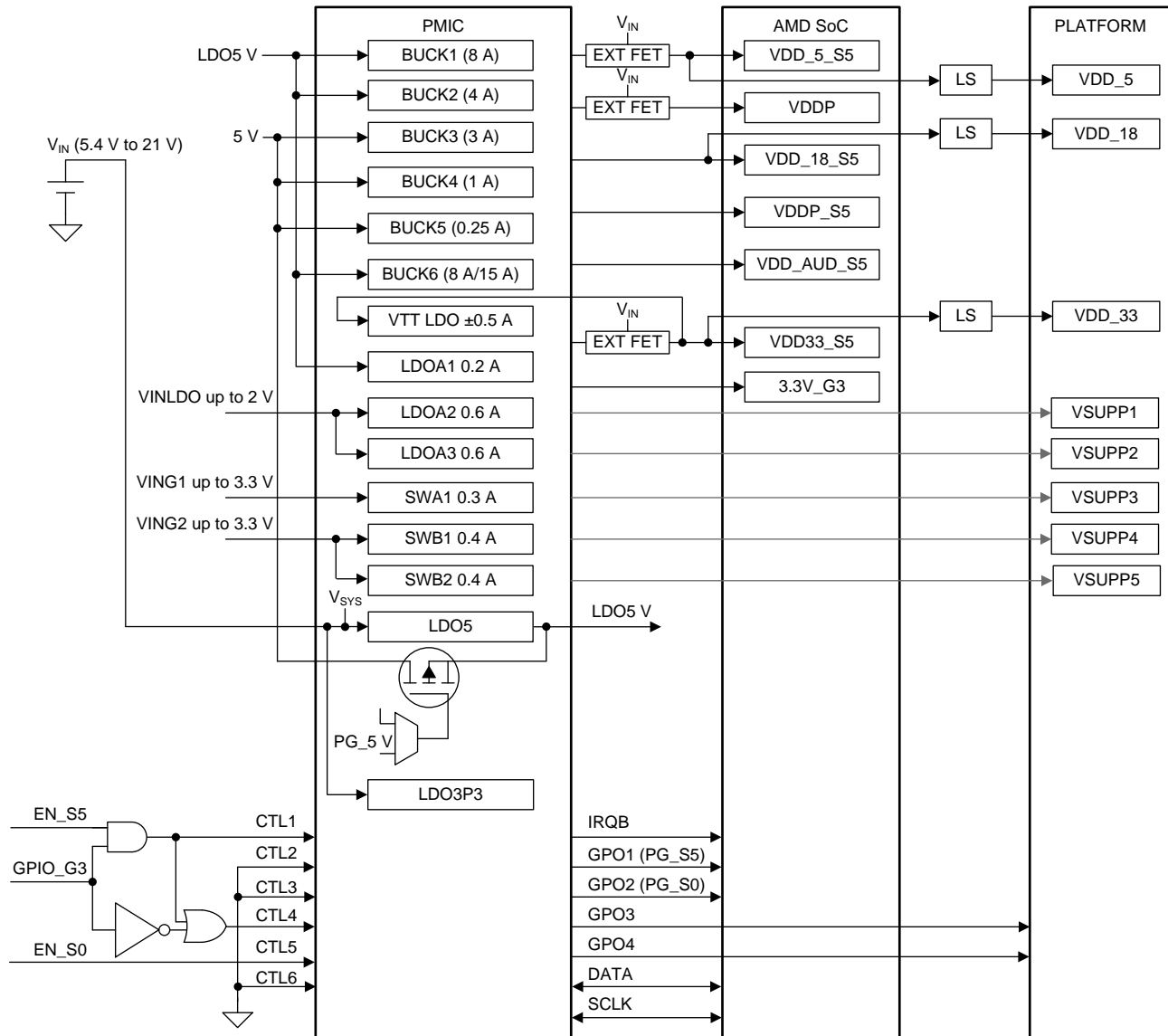


Figure 6-1. CTL Pin Implementation Option



Copyright © 2017, Texas Instruments Incorporated

Figure 6-2. Typical Application Example

### 6.2.1 Design Requirements

The TPS6508700 device requires decoupling capacitors on the supply pins. Follow the values for recommended capacitance on these supplies given in Section 4. The controllers, converter, LDOs, and some other features can be adjusted to meet specific application needs. Section 6.2.2 describes how to design and adjust the external components to achieve the desired performance. In most cases, the controller and converter designs should be copied directly from the AMD reference design. If significant changes must be made, some guidelines are provided in Section 6.2.2.

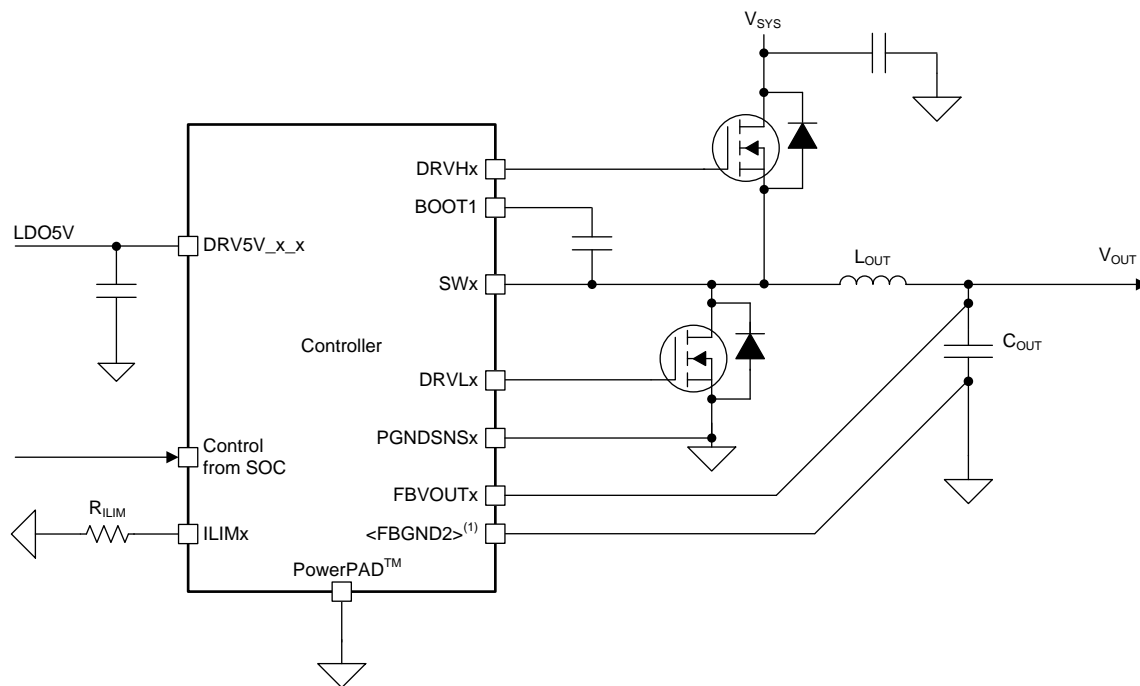
## 6.2.2 Detailed Design Procedure

### 6.2.2.1 Controller Design Procedure

Designing the controller can be broken down into the following steps:

1. Design the output filter
2. Select the FETs
3. Select the bootstrap capacitor
4. Select the input capacitors
5. Set the current limits

The BUCK1, BUCK2, and BUCK6 controllers require a 5-V supply and capacitors at their corresponding DRV5V\_x\_x pins. For most applications, the DRV5V\_x\_x input must come from the LDO5P0 pin to ensure uninterrupted supply voltage. A 2.2-μF, X5R, 20%, 10-V, or similar capacitor must be used for decoupling.



Copyright © 2017, Texas Instruments Incorporated

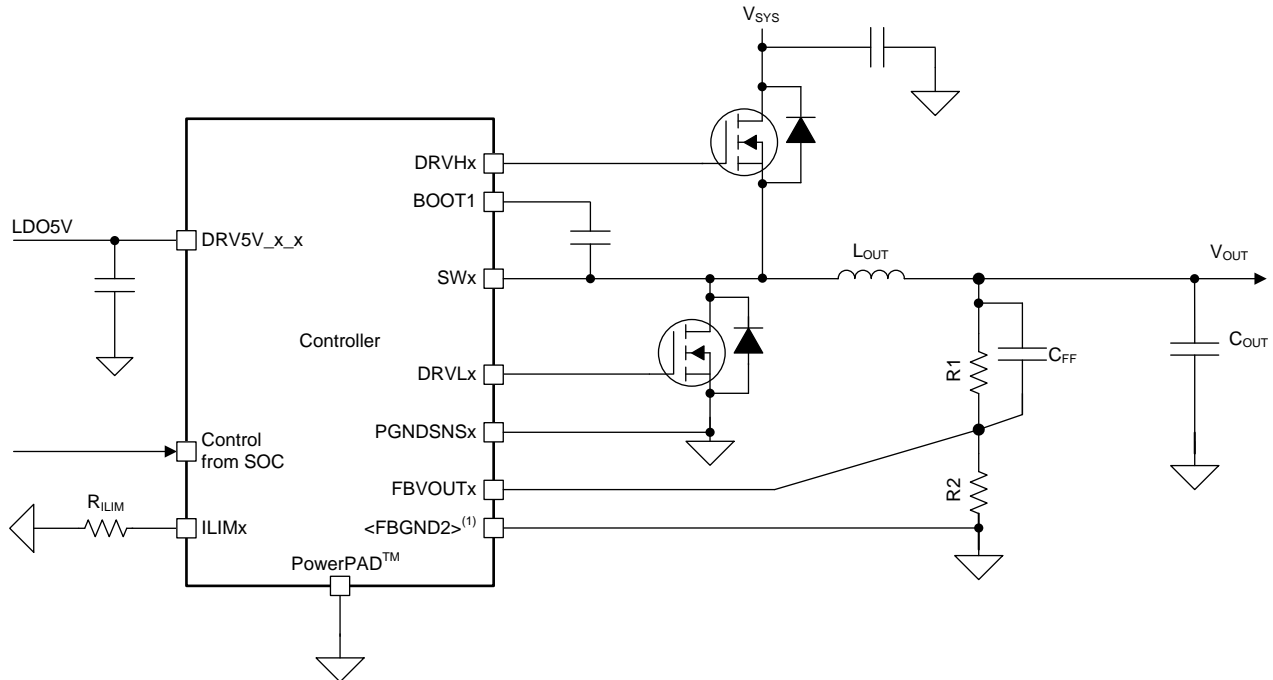
Figure 6-3. Controller Diagram

#### 6.2.2.1.1 Controller With External Feedback Resistor

For BUCK1, the voltage can be set using external feedback resistor. For all other bucks, the voltage is set by the default OTP settings and no resistor divider is required. For BUCK1, The internal voltage reference is set to 0.4 V. The output voltage is set with a resistor divider from the output node to the FB pin. TI recommends using a 1% tolerance or better to get accurate number. Use Equation 3 to calculate the value of R2.

$$R2 = R1 (0.4 / V_O - 0.4) \tag{3}$$

To set the output voltage to 5 V, use a value of 294 kΩ for R1 and 25.5 kΩ for R2.



Copyright © 2017, Texas Instruments Incorporated

Figure 6-4. Controller Diagram With External Feedback Resistor

### 6.2.2.1.2 Selecting the Inductor

Placement of an inductor is required between the external FETs and the output capacitors. Together, the inductor and output capacitors make the double-pole that contributes to stability. Additionally, the inductor is directly responsible for the output ripple, efficiency, and transient performance. As the inductance used increases, the ripple current decreases, which typically results in increased efficiency. However, as the inductance used increases, the transient performance decreases. Finally, the inductor selected must be rated for appropriate saturation current, core losses, and DC resistance (DCR).

Use Equation 4 to calculate the recommended inductance for the controller.

$$L = \frac{V_{OUT} \times (V_{IN} - V_{OUT})}{V_{IN} \times f_{sw} \times I_{OUT(MAX)} \times K_{IND}} \quad (4)$$

where

- $V_{OUT}$  is the typical output voltage.
- $V_{IN}$  is the typical input voltage.
- $f_{sw}$  is the typical switching frequency.
- $I_{OUT(MAX)}$  is the maximum load current.
- $K_{IND}$  is the ratio of  $I_{L(ripple)}$  to the  $I_{OUT(MAX)}$ . For this application, TI recommends that  $K_{IND}$  is set to a value from 0.2 to 0.4.

With the chosen inductance value, the peak current for the inductor in steady state operation,  $I_{L(MAX)}$ , can be calculated using Equation 5. The rated saturation current of the inductor must be higher than the  $I_{L(MAX)}$  current.

$$I_{L(MAX)} = I_{OUT(MAX)} + \frac{(V_{IN} - V_{OUT}) \times V_{OUT}}{2 \times V_{IN} \times f_{sw} \times L} \quad (5)$$

### 6.2.2.1.3 Selecting the Output Capacitors

TI recommends using ceramic capacitors with low ESR values to provide the lowest output voltage ripple. The output capacitor requires an X7R or an X5R dielectric. Y5V and Z5U dielectric capacitors, aside from their wide variation in capacitance over temperature, become resistive at high frequencies.

At light load currents, the controller operates in PFM mode, and the output voltage ripple is dependent on the output-capacitor value and the PFM peak inductor current. Higher output-capacitor values minimize the voltage ripple in PFM mode. To achieve the specified regulation performance and low output-voltage ripple, the DC-bias characteristic of ceramic capacitors must be considered. The effective capacitance of ceramic capacitors drops with increasing DC bias voltage.

TI recommends using small ceramic capacitors placed between the inductor and load with many vias to the power ground (PGND) plane for the output capacitors of the buck controllers. This solution typically provides the smallest and lowest cost solution available for D-CAP2 controllers.

The selection of the output capacitor is typically driven by the output transient response. [Equation 6](#) provides a rough estimate of the minimum required capacitance to ensure proper transient response. Because the transient response is significantly affected by the board layout, some experimentation is expected to confirm that values derived in this section are applicable to any particular use case. [Equation 6](#) is not meant to be an absolute requirement, but rather a rough starting point. Alternatively, some known combination values from which to begin are provided in [Table 6-1](#).

$$C_{OUT} > \frac{I_{TRAN(MAX)}^2 \times L}{(V_{IN} - V_{OUT}) \times V_{UNDER}}$$

where

- $I_{TRAN(MAX)}$  is the maximum load current step.
- $L$  is the chosen inductance.
- $V_{OUT}$  is the minimum programmed output voltage.
- $V_{IN}$  is the maximum input voltage.
- $V_{UNDER}$  is the minimum allowable undershoot from the programmable voltage. (6)

In cases where the transient current change is very low, the DC stability may become important. Use [Equation 7](#) to calculate the approximate amount of capacitance required to maintain DC stability. Again, this equation is provided as a starting point; actual values will vary on a board-to-board case.

$$C_{OUT} > \frac{V_{OUT} \times 50 \mu s}{V_{IN} \times f_{SW} \times L}$$

where

- $V_{OUT}$  is the maximum programmed output voltage
- 50  $\mu s$  is based on internal ramp setup
- $V_{IN}$  is the minimum input voltage
- $f_{SW}$  is the typical switching frequency
- $L$  is the chosen inductance (7)

The maximum value between [Equation 6](#) and [Equation 7](#) must be selected. [Table 6-1](#) lists some known inductor-capacitor combinations.

**Table 6-1. Known LC Combinations**

$I_{TRAN(max)}$ (A)	$L$ ( $\mu H$ )	$V_{OUT}$ (V)	$V_{UNDER}$ (V)	$C_{OUT}$ ( $\mu F$ )
3.5	0.47	1	0.05	110
4	0.47	1	0.05	220
5	0.47	1.35	0.068	220
8	0.33	1	0.06	440
20	0.22	1	0.16	550

#### 6.2.2.1.4 Selecting the FETs

This controller is designed to drive two NMOS FETs. Typically, lower  $R_{\text{DS(on)}}$  values are better for improving the overall efficiency of the controller; however, higher gate-charge thresholds result in lower efficiency so the two values must be balanced for optimal performance. As the  $R_{\text{DS(on)}}$  for the low-side FET decreases, the minimum current limit increases; therefore, appropriately select the values for the FETs, inductor, output capacitors, and current limit resistor. TI's [CSD87331Q3D](#), [CSD87381P](#), and [CSD87588N](#) devices are recommended for the controllers, depending on the required maximum current.

#### 6.2.2.1.5 Bootstrap Capacitor

To ensure the internal high-side gate drivers are supplied with a stable low-noise supply voltage, a capacitor must be connected between the SWx pins and the respective BOOTx pins. TI recommends placing ceramic capacitors with a value of 0.1  $\mu\text{F}$  for the controllers. During testing, a 0.1- $\mu\text{F}$ , size 0402, 10-V capacitor is used for the controllers.

TI recommends reserving a small resistor in series with the bootstrap capacitor in case the turnon and turnoff of the FETs must be slowed to reduce voltage ringing on the switch node, which is a common practice for controller design.

#### 6.2.2.1.6 Setting the Current Limit

The current-limiting resistor value must be chosen based on [Equation 1](#).

#### 6.2.2.1.7 Selecting the Input Capacitors

Because of the nature of the switching controller with a pulsating input current, a low-ESR input capacitor is required for best input-voltage filtering and also for minimizing the interference with other circuits caused by high input-voltage spikes. For the controller, a typical 2.2- $\mu\text{F}$  capacitor can be used for the DRV5V\_x\_x pin to support the transients on the driver. For the FET input, 10  $\mu\text{F}$  of input capacitance (after derating) is recommended for most applications. To achieve the low-ESR requirement, a ceramic capacitor is recommended. However, the voltage rating and DC-bias characteristic of ceramic capacitors must be considered. For better input-voltage filtering, the input capacitor can be increased without any limit.

---

#### NOTE

Use the correct capacitance value for the ceramic capacitor after derating to achieve the recommended input capacitance.

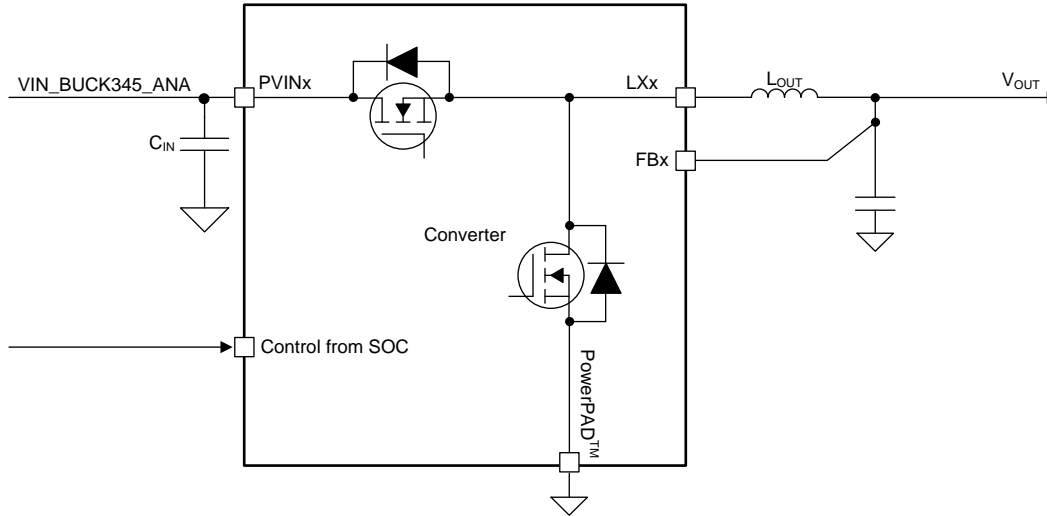
---

TI recommends placing a ceramic capacitor as close as possible to the FET across the respective VSYS and PGND pins of the FETs. The preferred capacitors for the controllers are two Murata GRM21BR61E226ME44: 22- $\mu\text{F}$ , 0805, 25-V,  $\pm 20\%$ , or similar capacitors.

### 6.2.2.2 Converter Design Procedure

Designing the converter has only two steps: design the output filter and select the input capacitors.

The converter must be supplied by a 5-V source. [Figure 6-5](#) shows a diagram of the converter.



Copyright © 2017, Texas Instruments Incorporated

**Figure 6-5. Converter Diagram****6.2.2.2.1 Selecting the Inductor**

Placement of an inductor between the external FETs and the output capacitors is required. Together, the inductor and output capacitors form a double pole in the control loop that contributes to stability. Additionally, the inductor is directly responsible for the output ripple, efficiency, and transient performance. As the inductance used increases, the ripple current decreases, which typically results in an increase in efficiency. However, with an increase in inductance used, the transient performance decreases. Finally, the inductor selected must be rated for appropriate saturation current, core losses, and DCR.

**NOTE**

Internal parameters for the converters are optimized for a 0.47- $\mu$ H inductor for BUCK3 and a 1- $\mu$ H inductor for BUCK4 and BUCK5; however, using other inductor values is possible as long as they are chosen carefully and thoroughly tested.

$$L = \frac{V_{OUT} \times (V_{IN} - V_{OUT})}{V_{IN} \times f_{sw} \times I_{OUT(MAX)} \times K_{IND}} \quad (8)$$

With the chosen inductance value and the peak current for the inductor in steady state operation,  $I_{L(MAX)}$  can be calculated using Equation 9. The rated saturation current of the inductor must be higher than the  $I_{L(MAX)}$  current.

$$I_{L(MAX)} = I_{OUT(MAX)} + \frac{(V_{IN} - V_{OUT}) \times V_{OUT}}{2 \times V_{IN} \times f_{sw} \times L} \quad (9)$$

**6.2.2.2.2 Selecting the Output Capacitors**

Ceramic capacitors with low ESR values are recommended because they provide the lowest output voltage ripple. The output capacitor requires either an X7R or X5R rating. Y5V and Z5U capacitors, aside from the wide variation in capacitance over temperature, become resistive at high frequencies.

At light load currents, the converter operates in PFM mode and the output voltage ripple is dependent on the output-capacitor value and the PFM peak inductor current. Higher output-capacitor values minimize the voltage ripple in PFM mode. To achieve the specified regulation performance and low output-voltage ripple, the DC-bias characteristic of ceramic capacitors must be considered. The effective capacitance of ceramic capacitors drops with increasing DC-bias voltage.



For the output capacitors of the buck converters, TI recommends placing small ceramic capacitors between the inductor and load with many vias to the PGND plane. This solution typically provides the smallest and lowest-cost solution available for D-CAP2 controllers.

The output capacitance must equal or exceed the minimum capacitance listed for BUCK3, BUCK4, and BUCK5 (assuming quality layout techniques are followed).

### 6.2.2.2.3 Selecting the Input Capacitors

Because of the nature of the switching converter with a pulsating input current, a low-ESR input capacitor is required for the best input-voltage filtering and for minimizing the interference with other circuits caused by high input-voltage spikes. For the PVINx pin, 2.5  $\mu\text{F}$  of input capacitance (after derating) is required for most applications. A ceramic capacitor is recommended to achieve the low-ESR requirement. However, the voltage rating and DC-bias characteristic of ceramic capacitors must be considered. The input capacitor can be increased without any limit for better input-voltage filtering.

#### NOTE

Use the correct capacitance value for the ceramic capacitor after derating to achieve the recommended input capacitance.

The preferred capacitor for the converters is one Samsung CL05A106MP5NUNC: 10- $\mu\text{F}$ , 0402, 10-V,  $\pm 20\%$ , or similar capacitor.

### 6.2.2.3 LDO Design Procedure

The VTT LDO must support the fast load transients from the DDR memory for termination. Therefore, TI recommends using ceramic capacitors to maintain a high amount of capacitance with low ESR on the VTT LDO outputs and inputs. The preferred output capacitors for the VTT LDO are the GRM188R60J226MEA0 from Murata (22  $\mu\text{F}$ , 0603, 6.3 V,  $\pm 20\%$ , or similar capacitors). The preferred input capacitor for the VTT LDO is the CL05A106MP5NUNC from Samsung (10- $\mu\text{F}$ , 0402, 10-V,  $\pm 20\%$ , or similar capacitor).

The remaining LDOs must have input and output capacitors chosen based on the values in [Section 4.9](#).

### 6.2.3 Application Curves

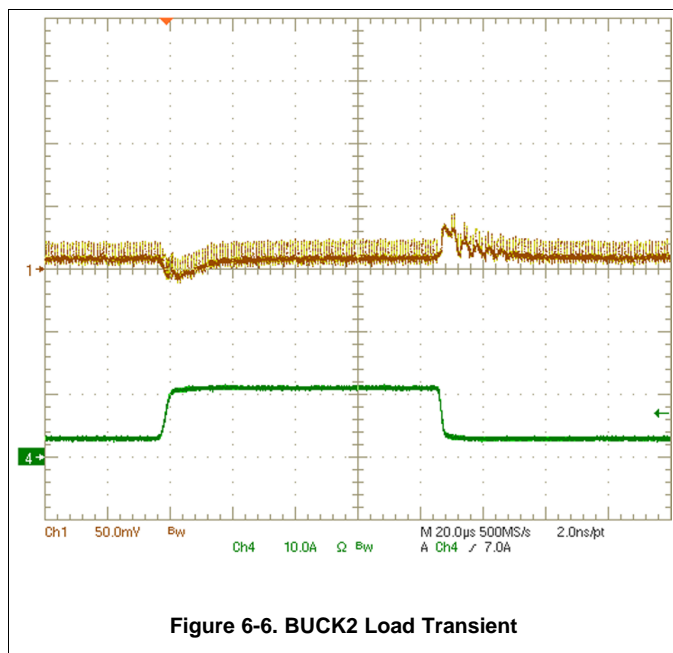


Figure 6-6. BUCK2 Load Transient

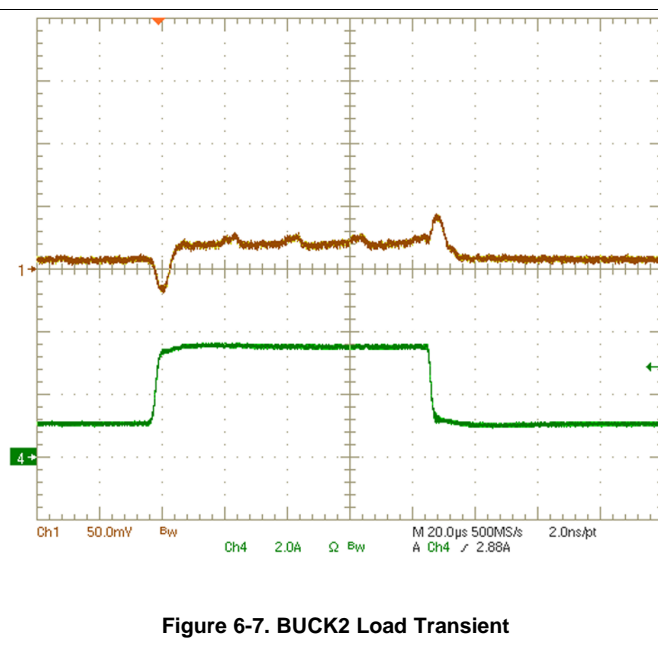


Figure 6-7. BUCK2 Load Transient

## 6.2.4 Layout

### 6.2.4.1 Layout Guidelines

For all switching power supplies, the layout is an important step in the design, especially at high peak currents and high switching frequencies. If the layout is not carefully done, the regulator can have stability problems and EMI issues. Therefore, use wide and short traces for the main current path and for the power ground (PGND) tracks. The input capacitors, output capacitors, and inductors must be placed as close as possible to the device. Use a common-ground node for the power ground and use a different, isolated node for the control ground to minimize the effects of ground noise. Connect these ground nodes close to the AGND pin by one or two vias. Use of the design guide is highly recommended in addition to following these other basic requirements:

- Do not allow the AGND, PGNDSNSx, or FBGND2 pin to connect to the thermal pad on the top layer.
- To ensure proper sensing based on the FET  $R_{DS(ON)}$ , the PGNDSNSx pin must not connect to the board ground or to the PGND pin of the FET.
- All inductors, input and output capacitors, and FETs for the converters and controller must be on the same board layer as the device.
- To achieve the best regulation performance, place feedback connection points near the output capacitors and minimize the control feedback loop as much as possible.
- Bootstrap capacitors must be placed close to the device.
- The internal reference regulators must have their input and output capacitors placed close to the device pins.
- Route the DRVHx and SWx pins as a differential pair. Ensure that a power-ground path is routed in parallel with the DRVLx pin, which provides optimal driver loops.

### 6.2.4.2 Layout Example

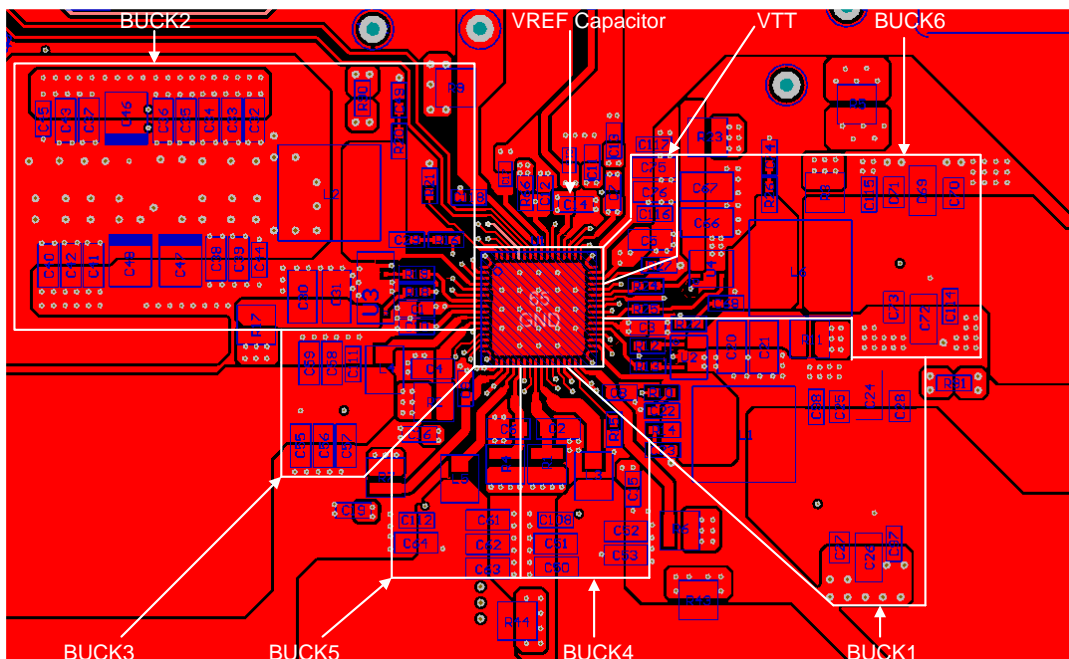


Figure 6-8. EVM Layout Example With All Components on the Top Layer

### 6.3 Power Supply Coupling and Bulk Capacitors

This device is designed to work with several different input voltages. The minimum voltage on the VSYS pin is 5.6 V for the device to start up; however, this is a low power rail. The input to the FETs must be from 4.5 V to 21 V as long as the proper bill of materials (BOM) choices are made. The input to the converters must be 5 V. For the device to output maximum power, the input power must be sufficient. For the controllers,  $V_{IN}$  must be able to supply sufficient input current for the output power of the application. For the converters, the PVINx converter must be able to supply 2 A (typical).

As a best practice, determine the power usage by the system and back-calculate the necessary power input based on the expected efficiency values.

### 6.4 Do's and Don'ts

- Connect the LDO5V output to the DRV5V\_x\_x inputs. This output initially supplies 5 V for the drivers from the VSYS pin and then switches to using the 5-V buck converter when available for optimal efficiency.
- Ensure that none of the control pins are potentially floating.
- Include 0- $\Omega$  resistors on the DRVH or BOOT pins of the controllers on prototype boards, which allows for slowing the controllers if the system is unable to handle the noise generated by the large switching or if switching voltage is too large because of layout.
- Do not connect the V5ANA power input to a different source other than PVINx. A mismatch here causes reference circuits to regulate incorrectly.
- Do not supply the V5ANA power input before the VSYS. Reference biasing of the internal FETs may turn on the HS FET passing the input to the output until VSYS is biased.

## 7 Device and Documentation Support

### 7.1 Device Support

#### 7.1.1 Third-Party Products Disclaimer

TI'S PUBLICATION OF INFORMATION REGARDING THIRD-PARTY PRODUCTS OR SERVICES DOES NOT CONSTITUTE AN ENDORSEMENT REGARDING THE SUITABILITY OF SUCH PRODUCTS OR SERVICES OR A WARRANTY, REPRESENTATION OR ENDORSEMENT OF SUCH PRODUCTS OR SERVICES, EITHER ALONE OR IN COMBINATION WITH ANY TI PRODUCT OR SERVICE.

### 7.2 Documentation Support

#### 7.2.1 Related Documentation

For related documentation see the following:

- Texas Instruments, [CSD87331Q3D Synchronous Buck NexFET™ Power Block data sheet](#)
- Texas Instruments, [CSD87381P Synchronous Buck NexFET™ Power Block II data sheet](#)
- Texas Instruments, [CSD87588N Synchronous Buck NexFET™ Power Block II data sheet](#)

### 7.3 Receiving Notification of Documentation Updates

To receive notification of documentation updates, navigate to the device product folder on ti.com. In the upper right corner, click on *Alert me* to register and receive a weekly digest of any product information that has changed. For change details, review the revision history included in any revised document.

### 7.4 Community Resources

The following links connect to TI community resources. Linked contents are provided "AS IS" by the respective contributors. They do not constitute TI specifications and do not necessarily reflect TI's views; see TI's [Terms of Use](#).

**TI E2E™ Online Community** The TI engineer-to-engineer (E2E) community was created to foster collaboration among engineers. At [e2e.ti.com](http://e2e.ti.com), you can ask questions, share knowledge, explore ideas and help solve problems with fellow engineers.

**Design Support** *TI's Design Support* Quickly find helpful E2E forums along with design support tools and contact information for technical support.

### 7.5 Trademarks

DCAP2, D-CAP2, DCS-Control, NexFET, E2E are trademarks of Texas Instruments.  
AMD is a trademark of Advanced Micro Devices.  
All other trademarks are the property of their respective owners.

### 7.6 Electrostatic Discharge Caution



This integrated circuit can be damaged by ESD. Texas Instruments recommends that all integrated circuits be handled with appropriate precautions. Failure to observe proper handling and installation procedures can cause damage.

ESD damage can range from subtle performance degradation to complete device failure. Precision integrated circuits may be more susceptible to damage because very small parametric changes could cause the device not to meet its published specifications.



### 7.7 Glossary

**TI Glossary** This glossary lists and explains terms, acronyms, and definitions.

## 8 Mechanical, Packaging, and Orderable Information

The following pages include mechanical, packaging, and orderable information. This information is the most current data available for the designated devices. This data is subject to change without notice and revision of this document. For browser-based versions of this data sheet, refer to the left-hand navigation.

**PACKAGING INFORMATION**

Orderable Device	Status (1)	Package Type	Package Drawing	Pins	Package Qty	Eco Plan (2)	Lead finish/ Ball material (6)	MSL Peak Temp (3)	Op Temp (°C)	Device Marking (4/5)	Samples
TPS6508700RSKR	ACTIVE	VQFN	RSK	64	2000	RoHS & Green	NIPDAU	Level-3-260C-168 HR	-40 to 85	T6508700 PG1.0	
TPS6508700RSKT	ACTIVE	VQFN	RSK	64	250	RoHS & Green	NIPDAU	Level-3-260C-168 HR	-40 to 85	T6508700 PG1.0	

(1) The marketing status values are defined as follows:

**ACTIVE:** Product device recommended for new designs.

**LIFEBUY:** TI has announced that the device will be discontinued, and a lifetime-buy period is in effect.

**NRND:** Not recommended for new designs. Device is in production to support existing customers, but TI does not recommend using this part in a new design.

**PREVIEW:** Device has been announced but is not in production. Samples may or may not be available.

**OBsolete:** TI has discontinued the production of the device.

(2) **RoHS:** TI defines "RoHS" to mean semiconductor products that are compliant with the current EU RoHS requirements for all 10 RoHS substances, including the requirement that RoHS substance do not exceed 0.1% by weight in homogeneous materials. Where designed to be soldered at high temperatures, "RoHS" products are suitable for use in specified lead-free processes. TI may reference these types of products as "Pb-Free".

**RoHS Exempt:** TI defines "RoHS Exempt" to mean products that contain lead but are compliant with EU RoHS pursuant to a specific EU RoHS exemption.

**Green:** TI defines "Green" to mean the content of Chlorine (Cl) and Bromine (Br) based flame retardants meet JS709B low halogen requirements of <=1000ppm threshold. Antimony trioxide based flame retardants must also meet the <=1000ppm threshold requirement.

(3) MSL, Peak Temp. - The Moisture Sensitivity Level rating according to the JEDEC industry standard classifications, and peak solder temperature.

(4) There may be additional marking, which relates to the logo, the lot trace code information, or the environmental category on the device.

(5) Multiple Device Markings will be inside parentheses. Only one Device Marking contained in parentheses and separated by a "~" will appear on a device. If a line is indented then it is a continuation of the previous line and the two combined represent the entire Device Marking for that device.

(6) Lead finish/Ball material - Orderable Devices may have multiple material finish options. Finish options are separated by a vertical ruled line. Lead finish/Ball material values may wrap to two lines if the finish value exceeds the maximum column width.

**Important Information and Disclaimer:** The information provided on this page represents TI's knowledge and belief as of the date that it is provided. TI bases its knowledge and belief on information provided by third parties, and makes no representation or warranty as to the accuracy of such information. Efforts are underway to better integrate information from third parties. TI has taken and continues to take reasonable steps to provide representative and accurate information but may not have conducted destructive testing or chemical analysis on incoming materials and chemicals. TI and TI suppliers consider certain information to be proprietary, and thus CAS numbers and other limited information may not be available for release.

In no event shall TI's liability arising out of such information exceed the total purchase price of the TI part(s) at issue in this document sold by TI to Customer on an annual basis.



**TAPE AND REEL INFORMATION**

**QUADRANT ASSIGNMENTS FOR PIN 1 ORIENTATION IN TAPE**


\*All dimensions are nominal

Device	Package Type	Package Drawing	Pins	SPQ	Reel Diameter (mm)	Reel Width W1 (mm)	A0 (mm)	B0 (mm)	K0 (mm)	P1 (mm)	W (mm)	Pin1 Quadrant
TPS6508700RSKR	VQFN	RSK	64	2000	330.0	16.4	8.3	8.3	1.1	12.0	16.0	Q2
TPS6508700RSKT	VQFN	RSK	64	250	180.0	16.4	8.3	8.3	1.1	12.0	16.0	Q2

**TAPE AND REEL BOX DIMENSIONS**

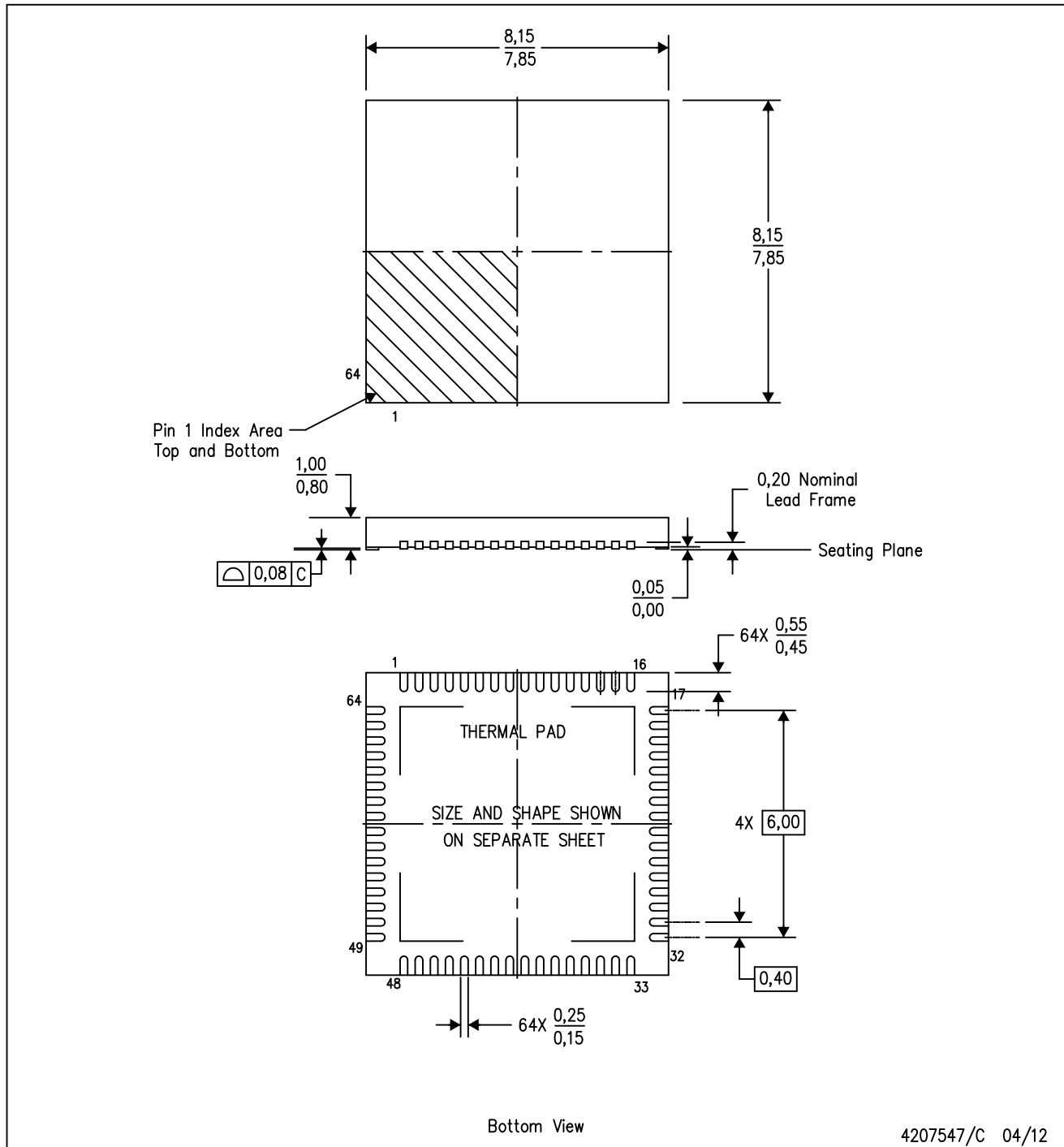

\*All dimensions are nominal

Device	Package Type	Package Drawing	Pins	SPQ	Length (mm)	Width (mm)	Height (mm)
TPS6508700RSKR	VQFN	RSK	64	2000	367.0	367.0	38.0
TPS6508700RSKT	VQFN	RSK	64	250	210.0	185.0	35.0



RSK (S-PVQFN-N64)

PLASTIC QUAD FLATPACK NO-LEAD



Bottom View

4207547/C 04/12

- NOTES:
- A. All linear dimensions are in millimeters. Dimensioning and tolerancing per ASME Y14.5-1994.
  - B. This drawing is subject to change without notice.
  - C. QFN (Quad Flatpack No-Lead) Package configuration.
  - D. The package thermal pad must be soldered to the board for thermal and mechanical performance.
  - E. See the additional figure in the Product Data Sheet for details regarding the exposed thermal pad features and dimensions.

# THERMAL PAD MECHANICAL DATA

RSK (S-PVQFN-N64)

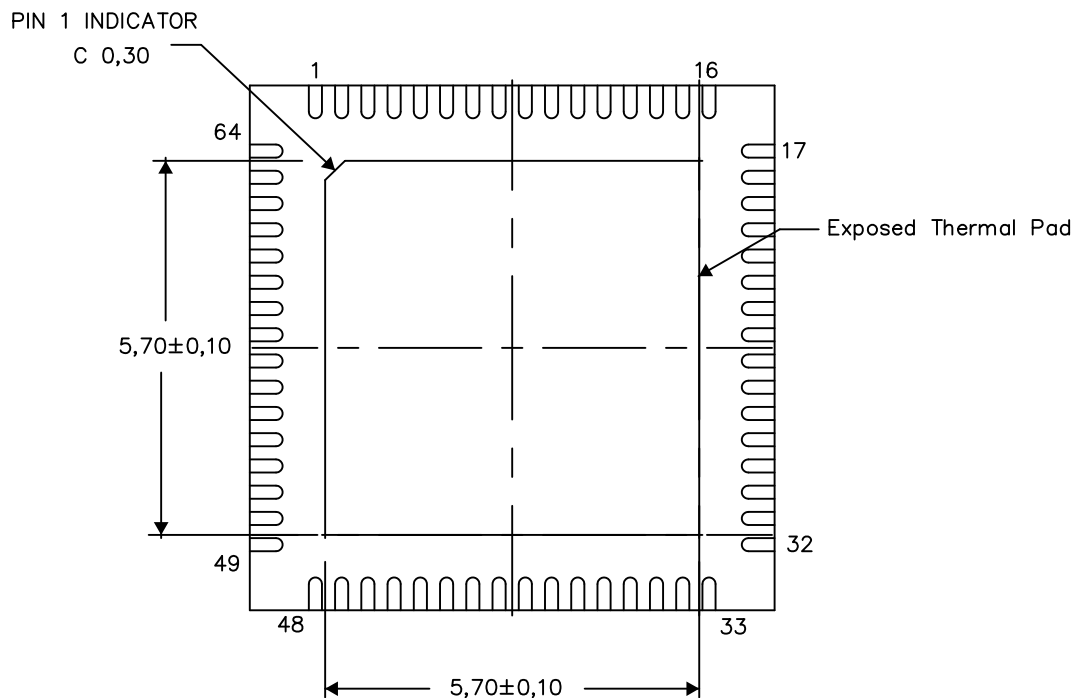
PLASTIC QUAD FLATPACK NO-LEAD

## THERMAL INFORMATION

This package incorporates an exposed thermal pad that is designed to be attached directly to an external heatsink. The thermal pad must be soldered directly to the printed circuit board (PCB). After soldering, the PCB can be used as a heatsink. In addition, through the use of thermal vias, the thermal pad can be attached directly to the appropriate copper plane shown in the electrical schematic for the device, or alternatively, can be attached to a special heatsink structure designed into the PCB. This design optimizes the heat transfer from the integrated circuit (IC).

For information on the Quad Flatpack No-Lead (QFN) package and its advantages, refer to Application Report, QFN/SON PCB Attachment, Texas Instruments Literature No. SLUA271. This document is available at [www.ti.com](http://www.ti.com).

The exposed thermal pad dimensions for this package are shown in the following illustration.



Bottom View

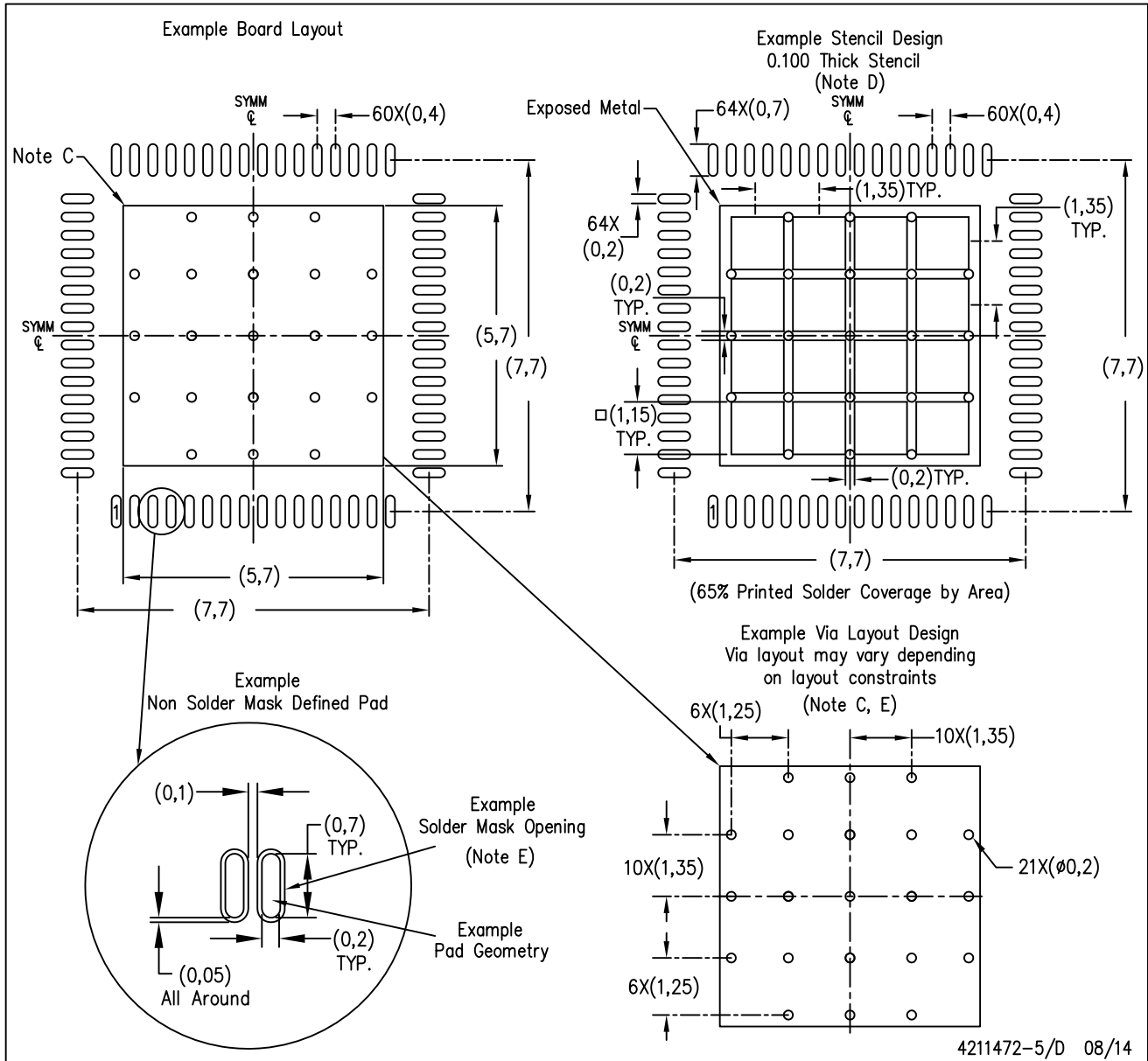
Exposed Thermal Pad Dimensions

4208001-5/H 08/14

NOTE: A. All linear dimensions are in millimeters

RSK (S-PVQFN-N64)

PLASTIC QUAD FLATPACK NO-LEAD



- NOTES:
- A. All linear dimensions are in millimeters.
  - B. This drawing is subject to change without notice.
  - C. This package is designed to be soldered to a thermal pad on the board. Refer to Application Note, Quad Flat-Pack Packages, Texas Instruments Literature No. SCBA017, SLUA271, and also the Product Data Sheets for specific thermal information, via requirements, and recommended board layout. These documents are available at [www.ti.com](http://www.ti.com) <<http://www.ti.com>>.
  - D. Laser cutting apertures with trapezoidal walls and also rounding corners will offer better paste release. Customers should contact their board assembly site for stencil design recommendations. Refer to IPC 7525 for stencil design considerations.
  - E. Customers should contact their board fabrication site for recommended solder mask tolerances and via tenting recommendations for any larger diameter vias placed in the thermal pad.

## IMPORTANT NOTICE AND DISCLAIMER

TI PROVIDES TECHNICAL AND RELIABILITY DATA (INCLUDING DATA SHEETS), DESIGN RESOURCES (INCLUDING REFERENCE DESIGNS), APPLICATION OR OTHER DESIGN ADVICE, WEB TOOLS, SAFETY INFORMATION, AND OTHER RESOURCES "AS IS" AND WITH ALL FAULTS, AND DISCLAIMS ALL WARRANTIES, EXPRESS AND IMPLIED, INCLUDING WITHOUT LIMITATION ANY IMPLIED WARRANTIES OF MERCHANTABILITY, FITNESS FOR A PARTICULAR PURPOSE OR NON-INFRINGEMENT OF THIRD PARTY INTELLECTUAL PROPERTY RIGHTS.

These resources are intended for skilled developers designing with TI products. You are solely responsible for (1) selecting the appropriate TI products for your application, (2) designing, validating and testing your application, and (3) ensuring your application meets applicable standards, and any other safety, security, regulatory or other requirements.

These resources are subject to change without notice. TI grants you permission to use these resources only for development of an application that uses the TI products described in the resource. Other reproduction and display of these resources is prohibited. No license is granted to any other TI intellectual property right or to any third party intellectual property right. TI disclaims responsibility for, and you will fully indemnify TI and its representatives against, any claims, damages, costs, losses, and liabilities arising out of your use of these resources.

TI's products are provided subject to [TI's Terms of Sale](#) or other applicable terms available either on [ti.com](https://www.ti.com) or provided in conjunction with such TI products. TI's provision of these resources does not expand or otherwise alter TI's applicable warranties or warranty disclaimers for TI products.

TI objects to and rejects any additional or different terms you may have proposed.

Mailing Address: Texas Instruments, Post Office Box 655303, Dallas, Texas 75265  
Copyright © 2023, Texas Instruments Incorporated